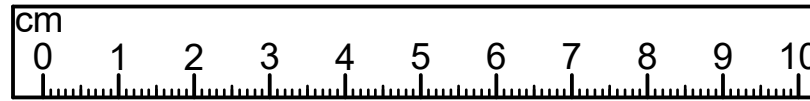
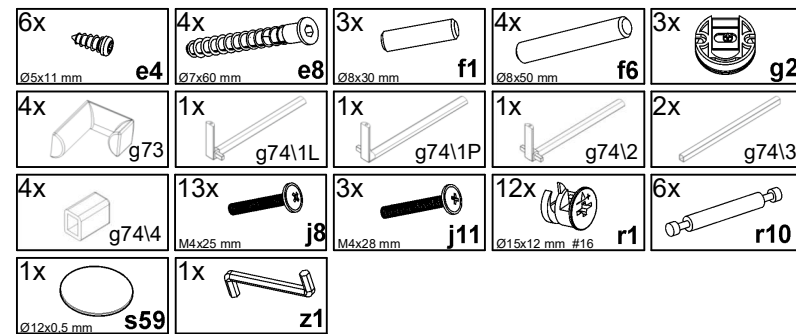
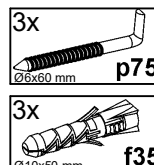
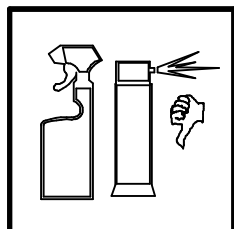
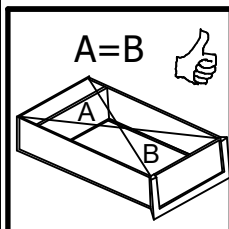
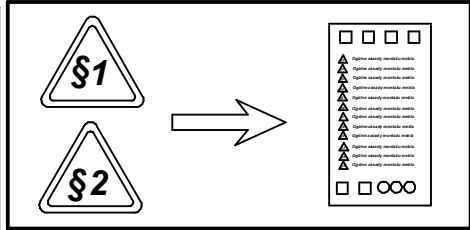
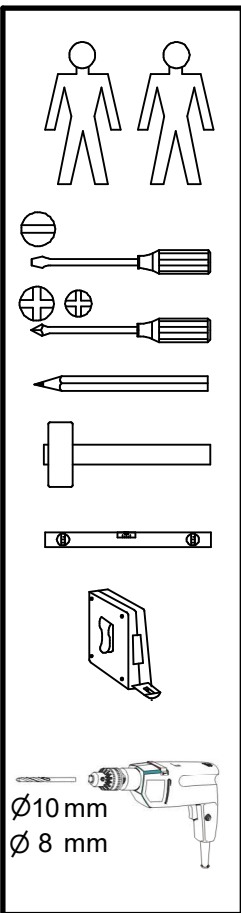
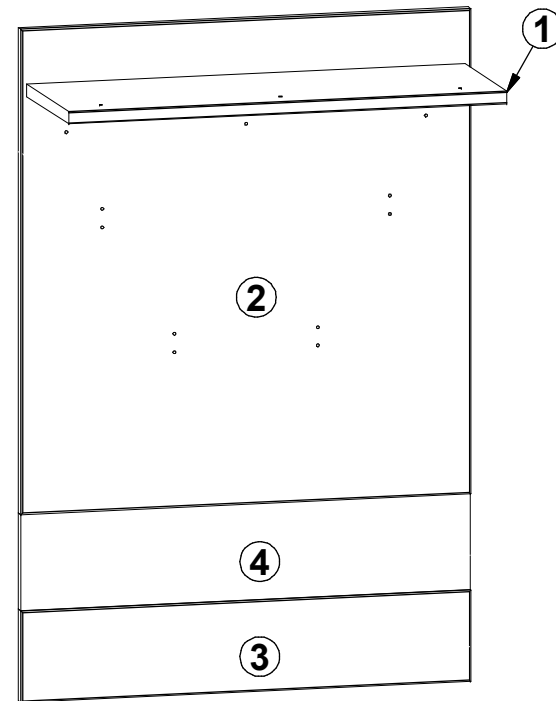


A	B	C1	C2	C3	D
1	M252-3003	780	280	22	1/1
2	M252-4002	801	848	19	1/1
3	M252-4003	801	160	19	1/1
4	M252-4004	801	168	16	1/1

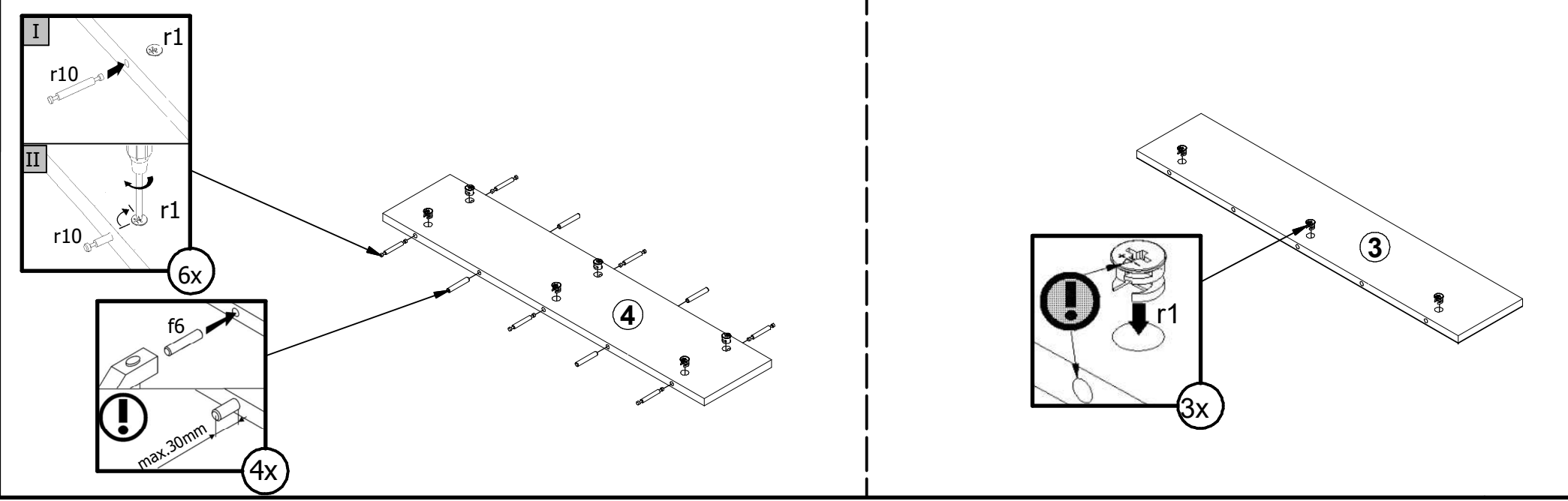
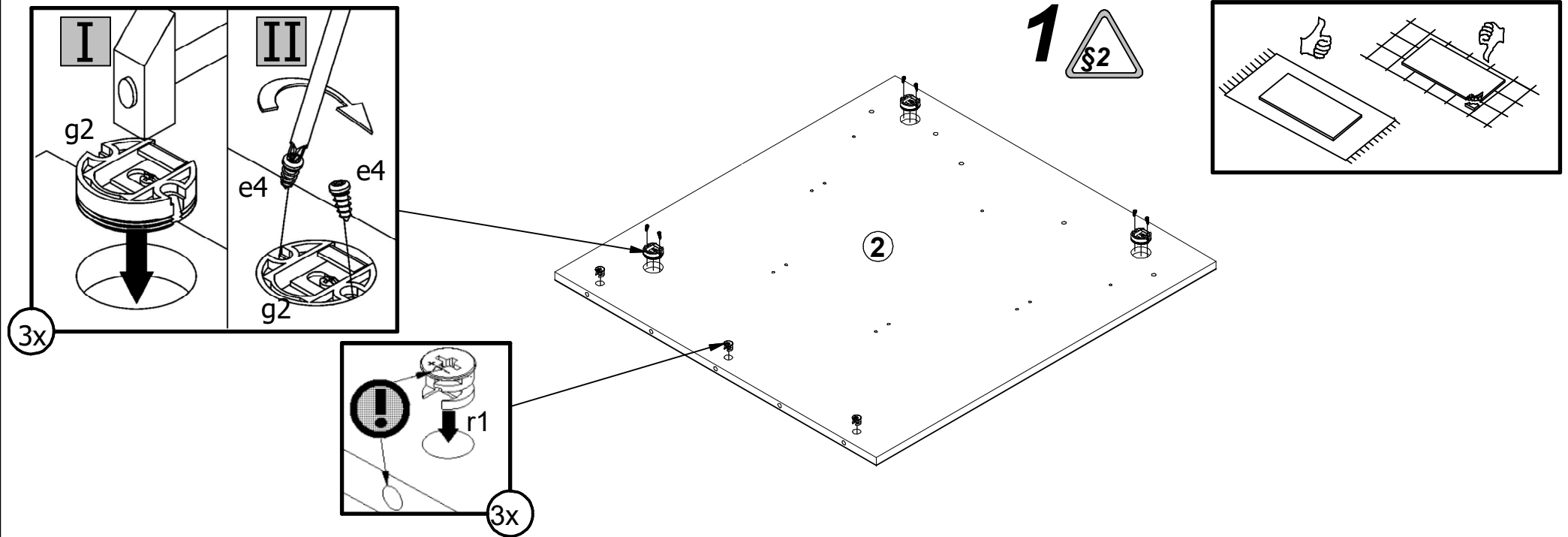


A

M252-PAN/12/8

30A1--40

2 / 6



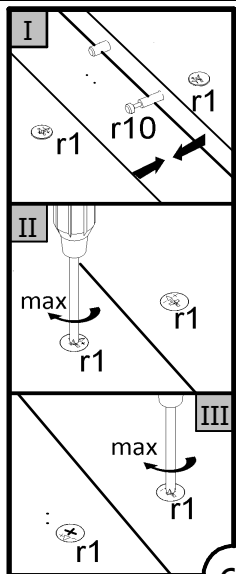
A

M252-PAN/12/8

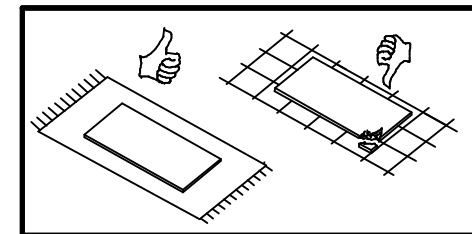
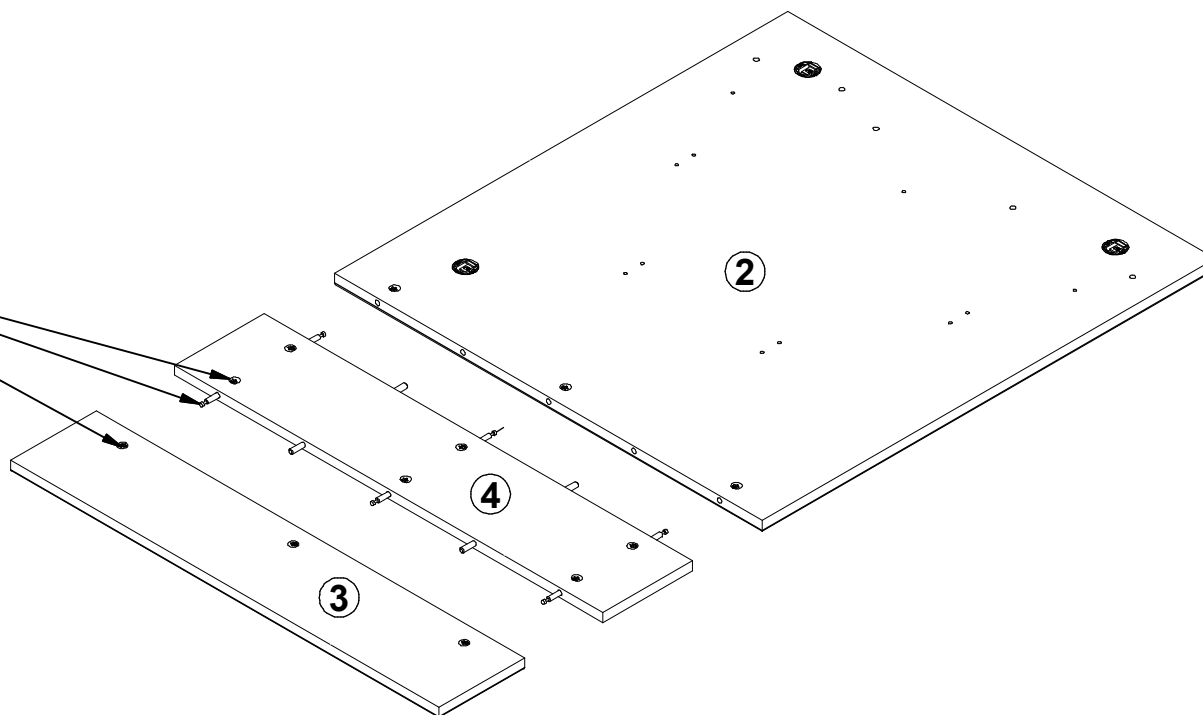
30A1--40

3 / 6

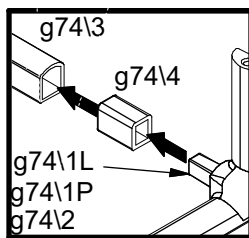
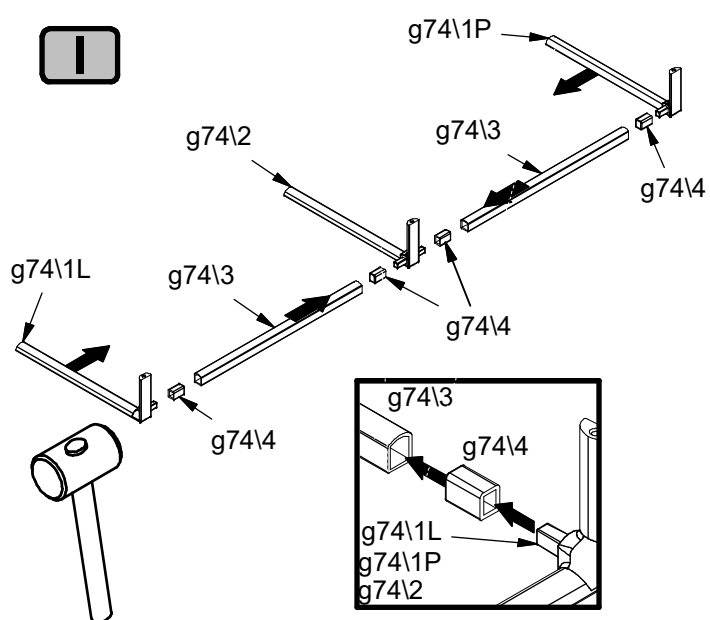
2 



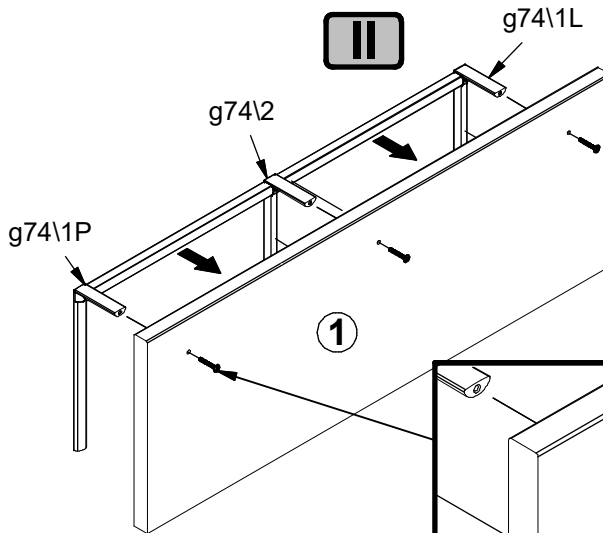
6x



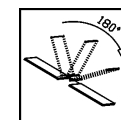
I



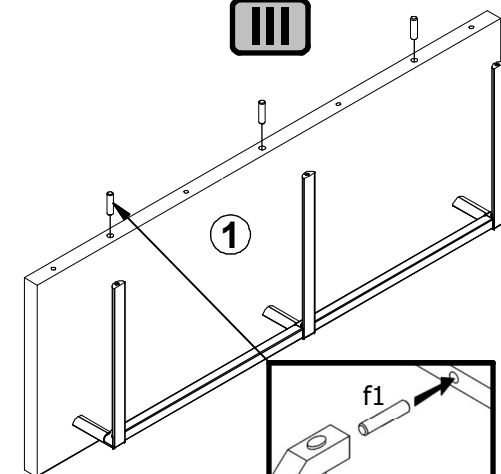
II



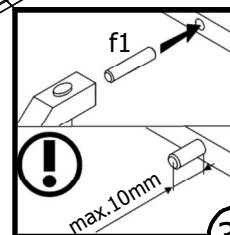
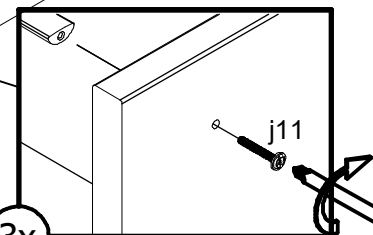
3



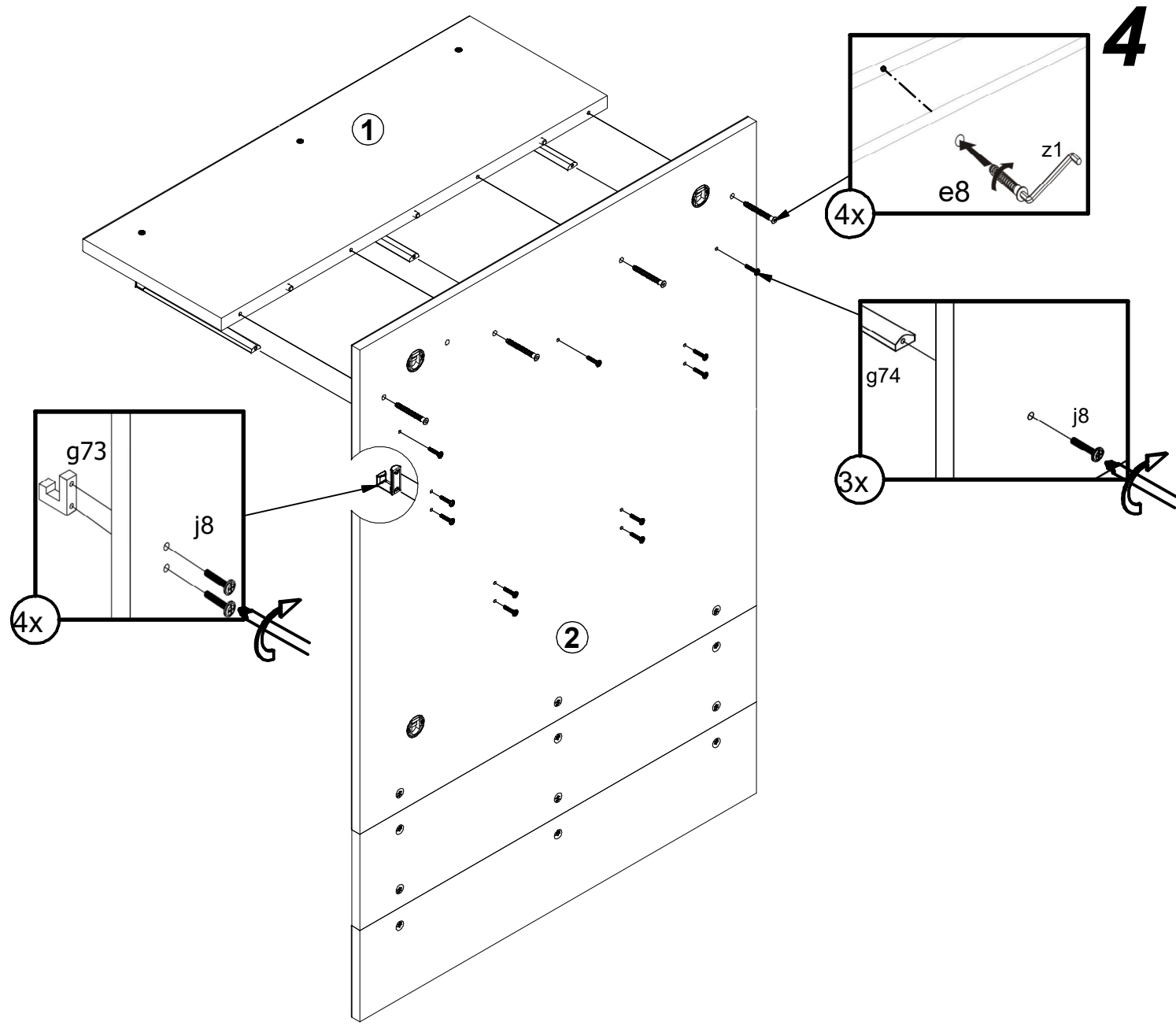
III

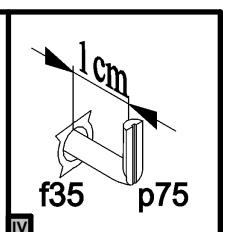
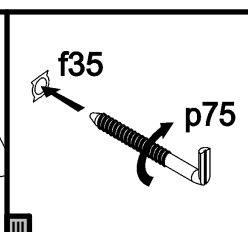
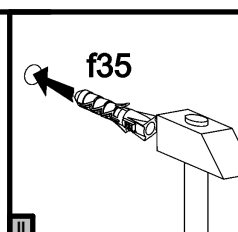
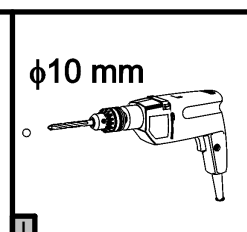
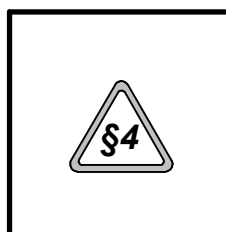
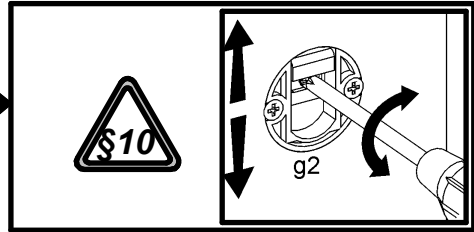
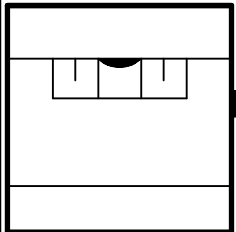


3x



3x





# 6

