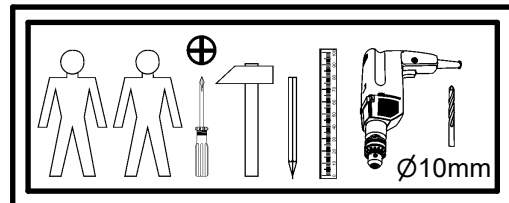
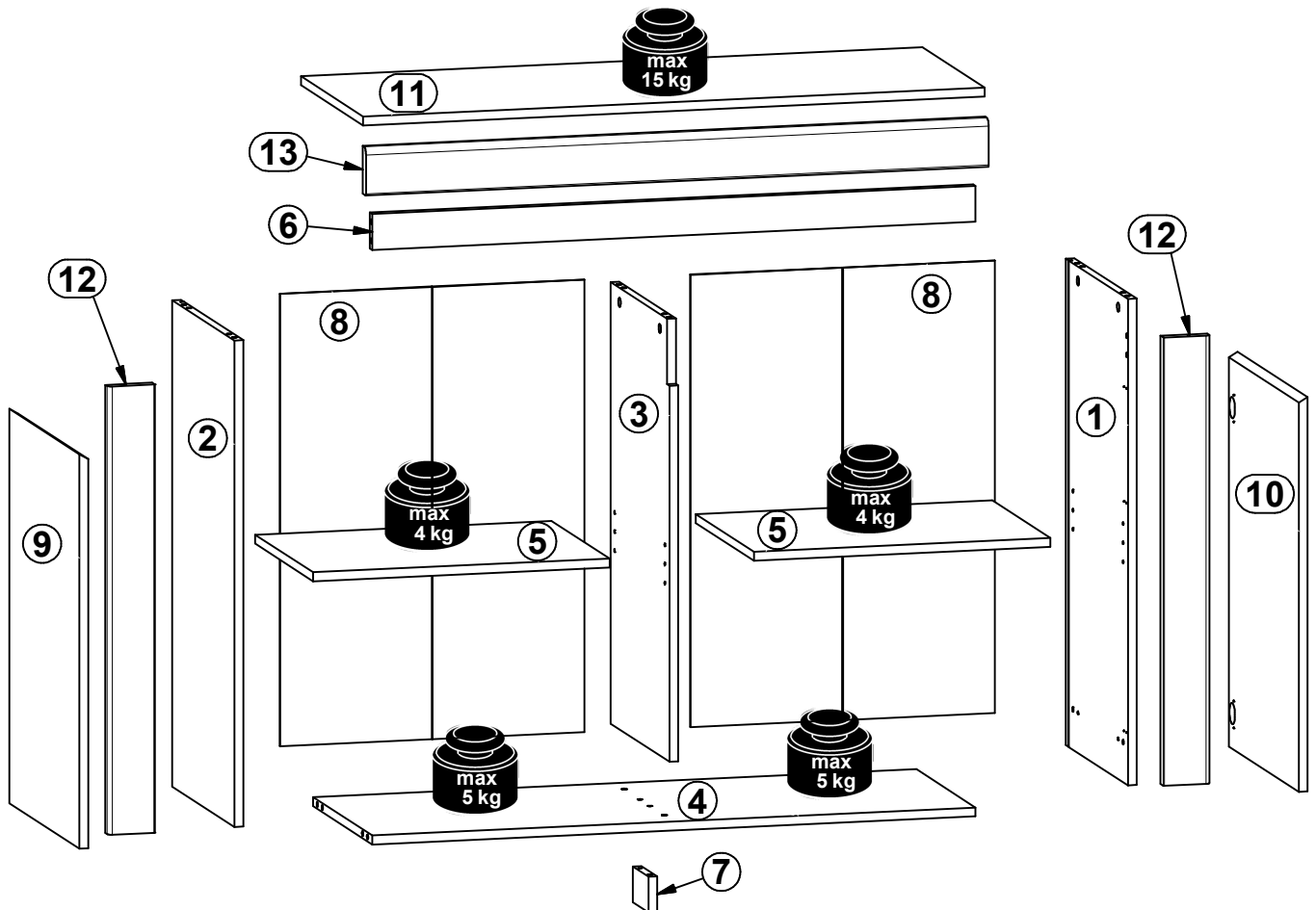
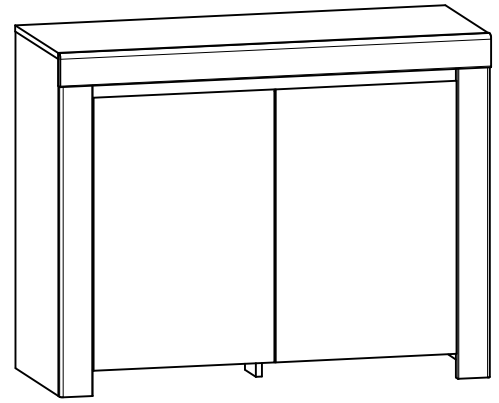
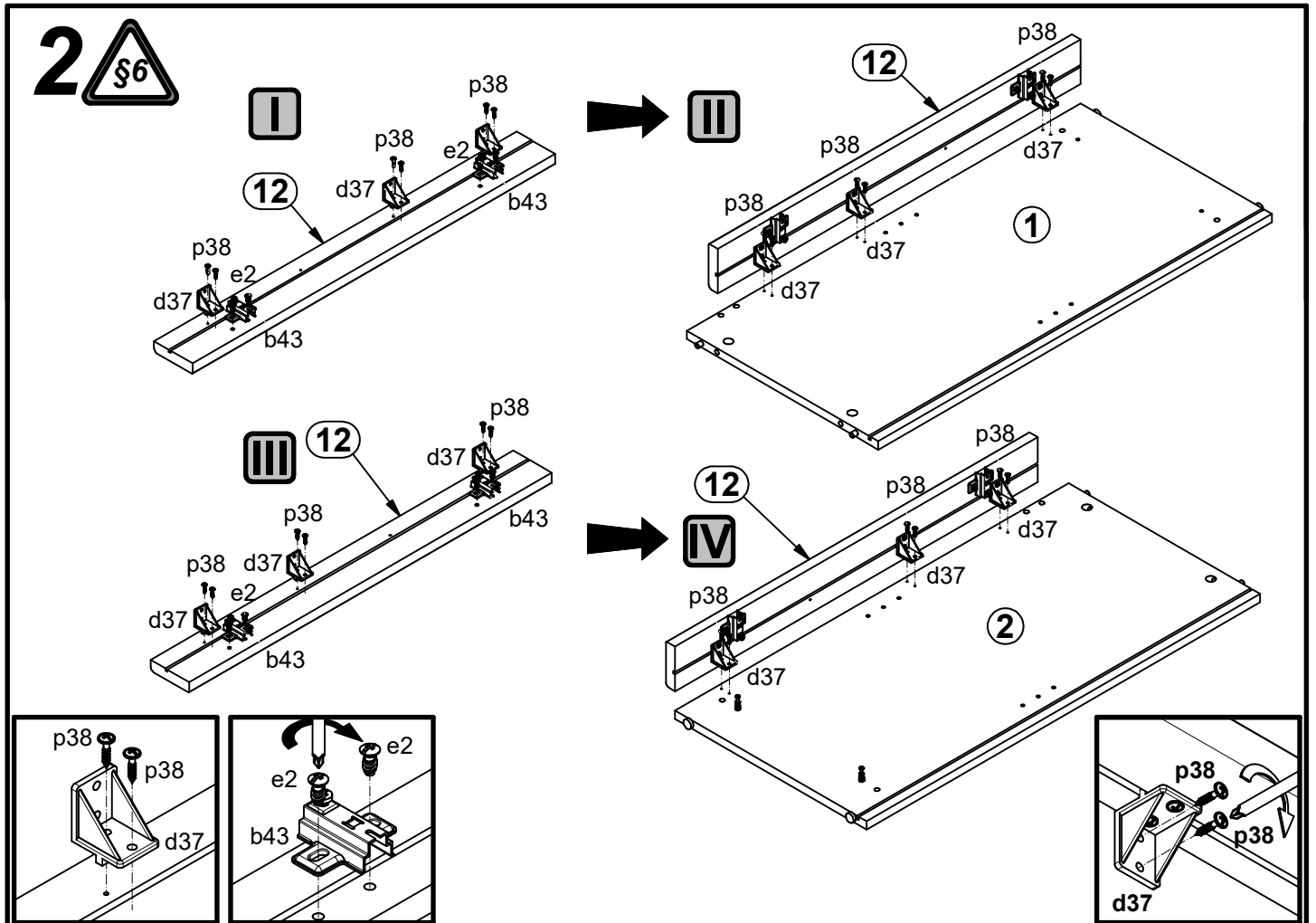
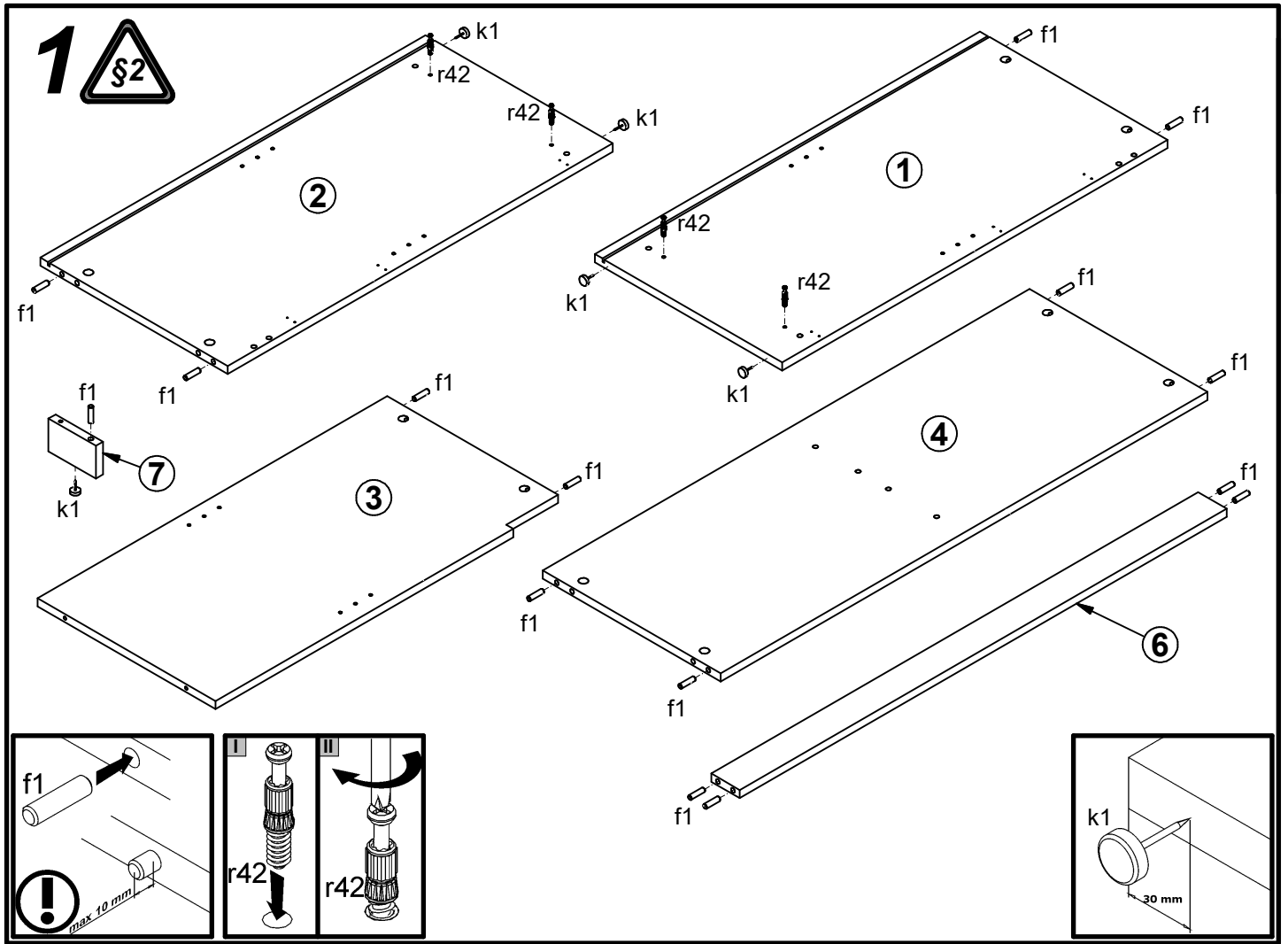


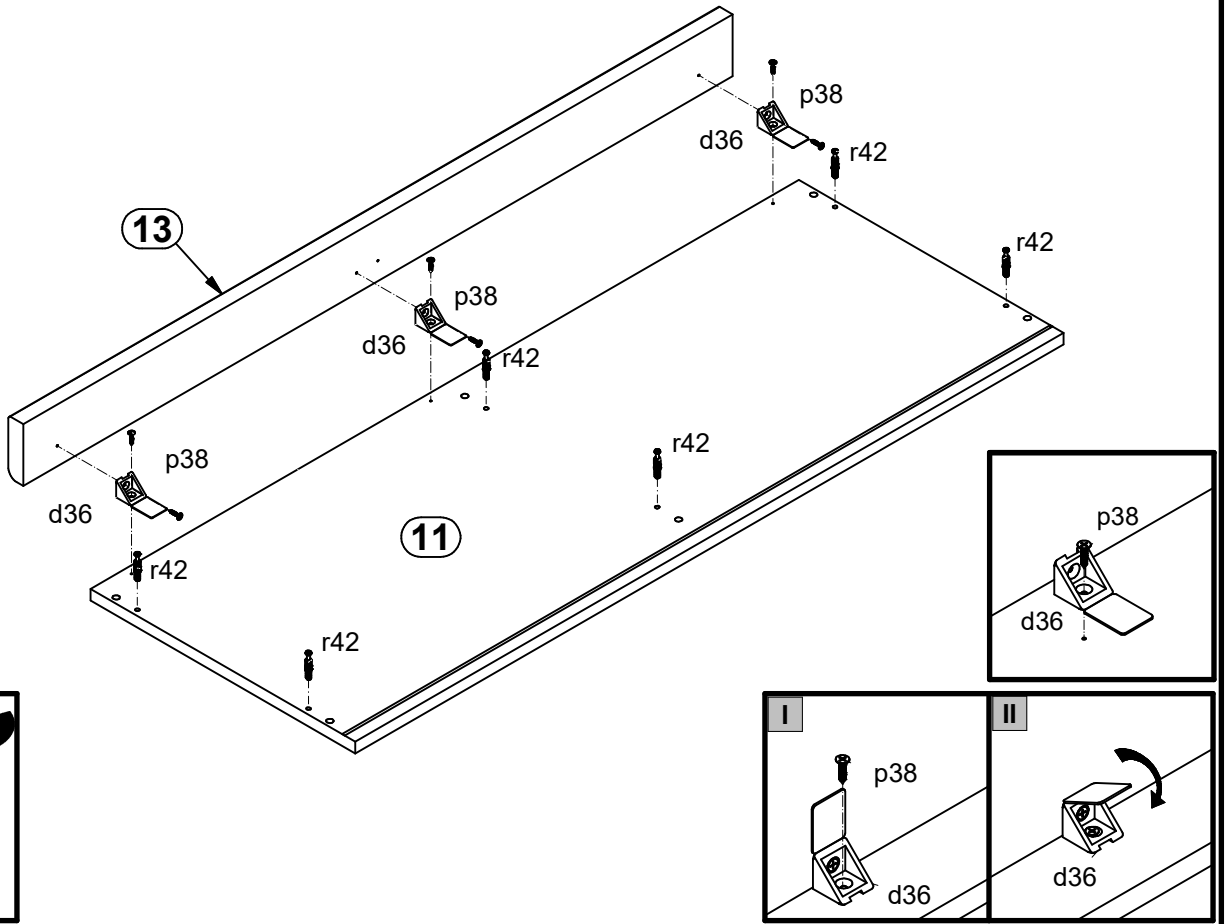
A	B	C	D
1	S440-1028	814	396
2	S440-1031	814	396
3	S440-1032	739	376
4	S440-3020	1029	376
5	S440-3021	506	370
6	S440-4025	1029	60
7	S440-5015	100	60
8	S440-9307	757	519
9	S493-0016	446	660
10	S493-0017	446	660
11	S493-2008	1060	396
12	S493-5034	750	80
13	S493-5102	1062	80



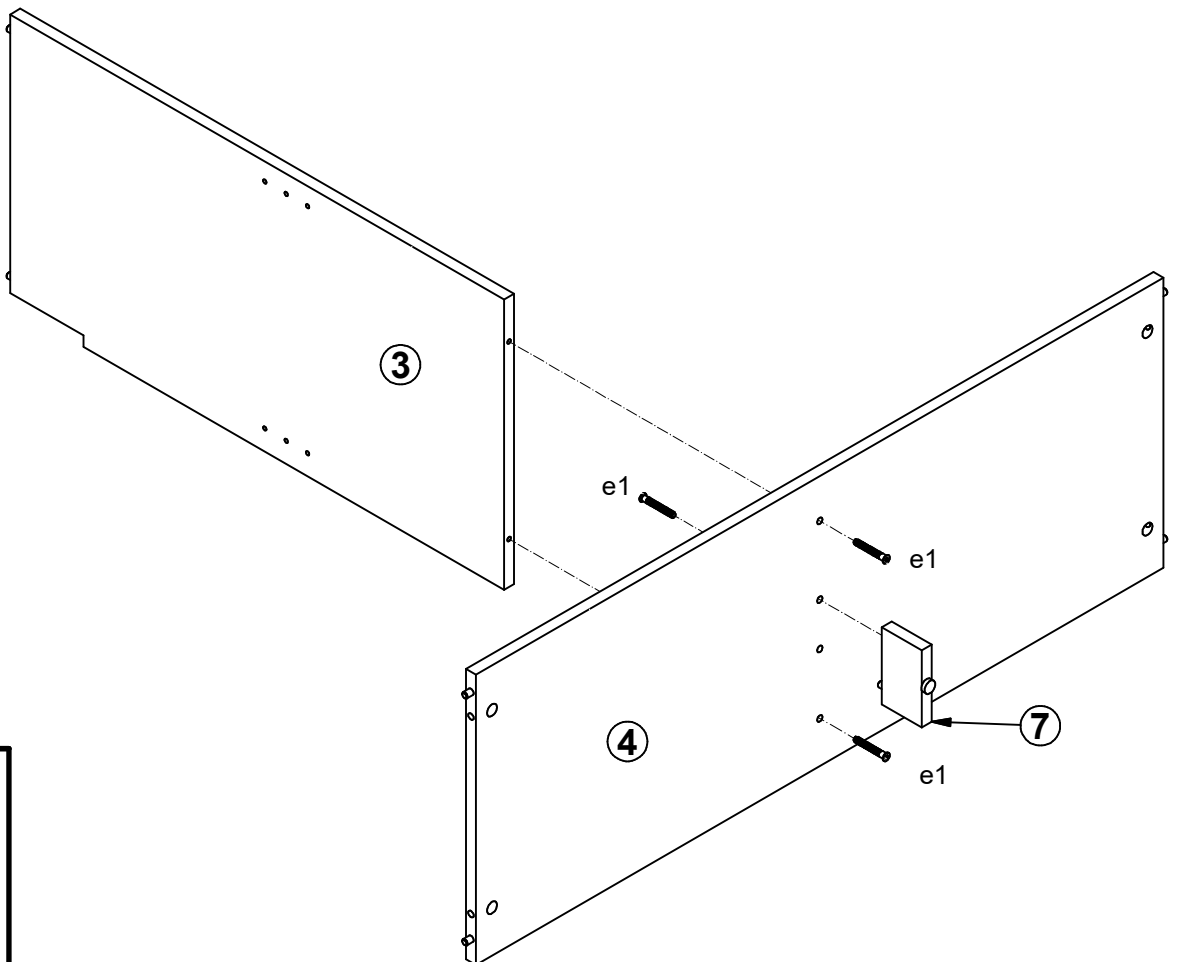
4x a132	2x a133	4x b43	8x d1 Ø5x17 mm	3x d36	6x d37	3x e1 Ø7x50 mm	8x e2 Ø6.3x13 mm	15x f1 Ø8x30 mm
5x k1	6x l2	4x n108 22x9.5x20.7 mm	31x p38 Ø3.5x16 mm	8x p51 Ø3.5x15 mm	10x p55 Ø2.9x16 mm	10x r1 Ø15x12 mm #16	10x r42 20/11	6x s68 Ø 20mm
1x z1 4 mm								1x n26



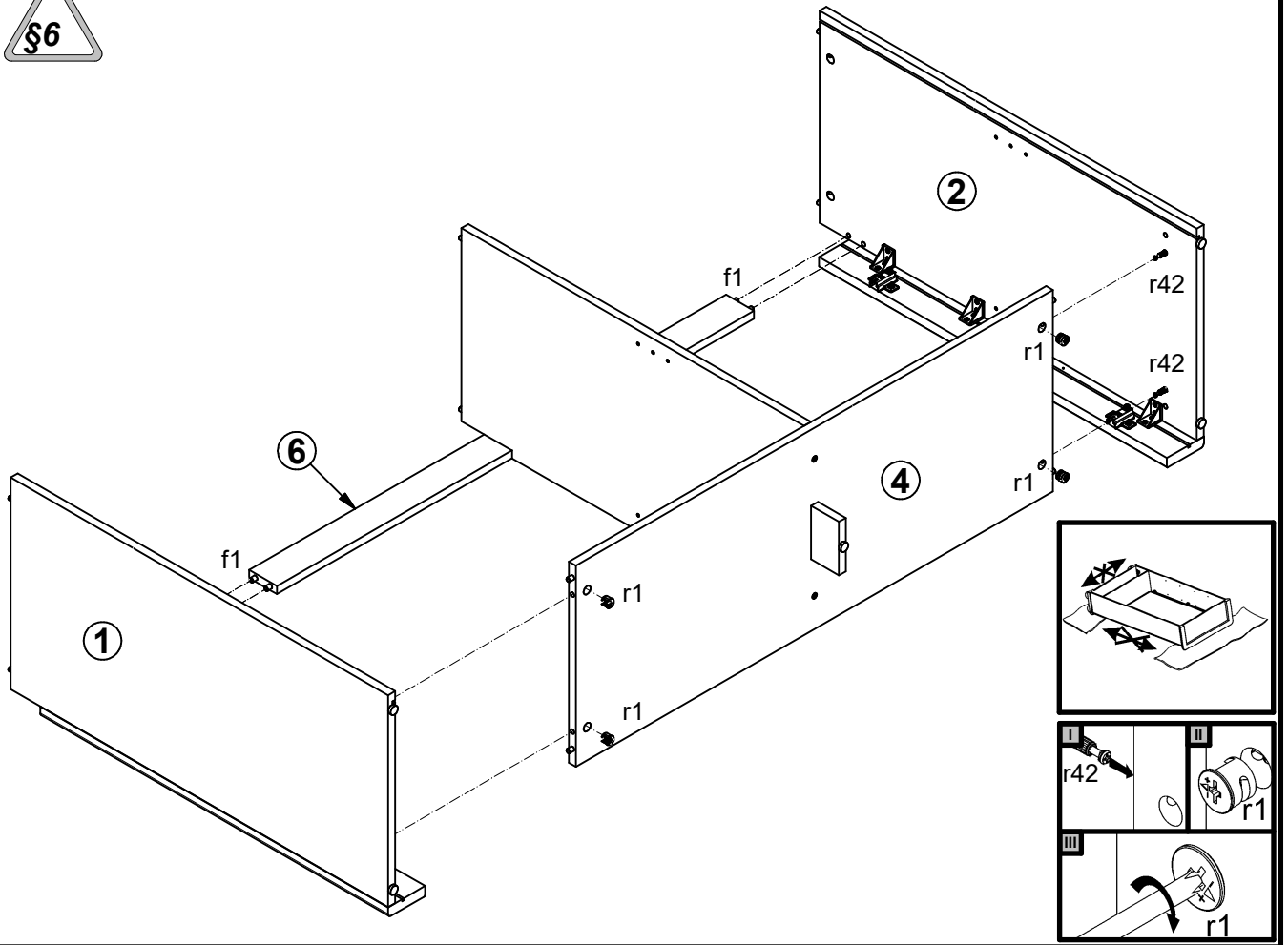
3



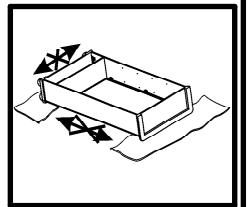
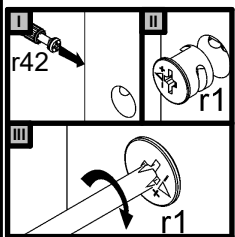
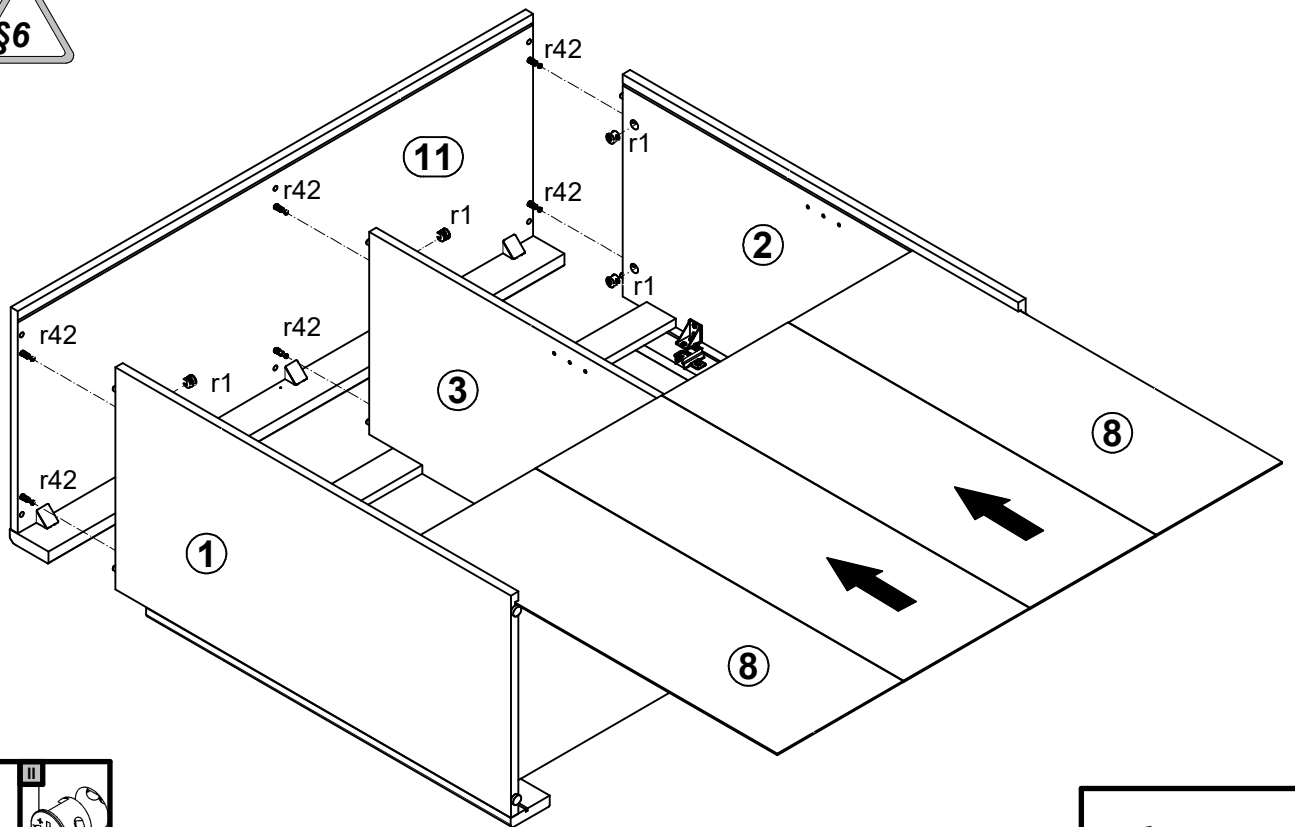
4



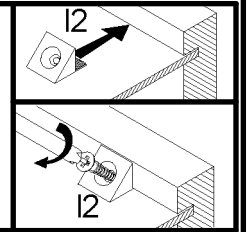
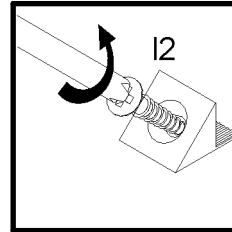
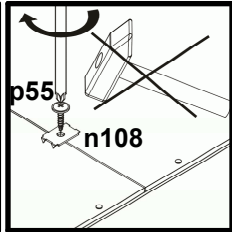
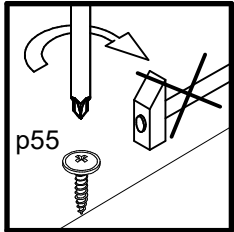
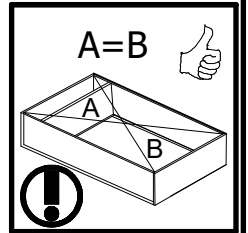
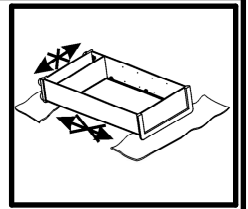
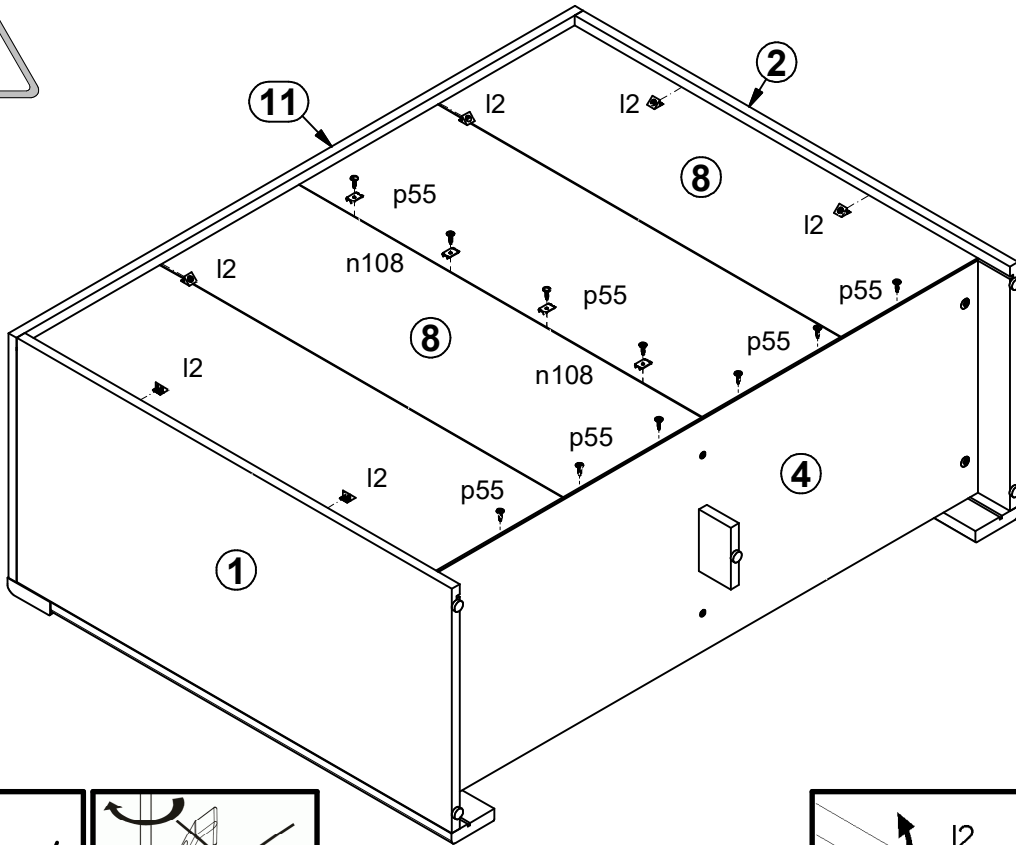
5



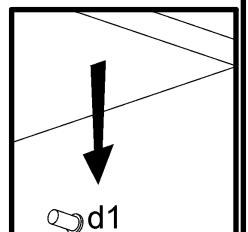
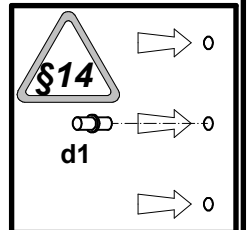
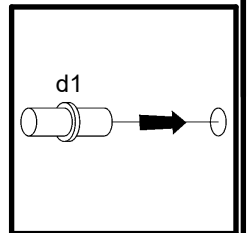
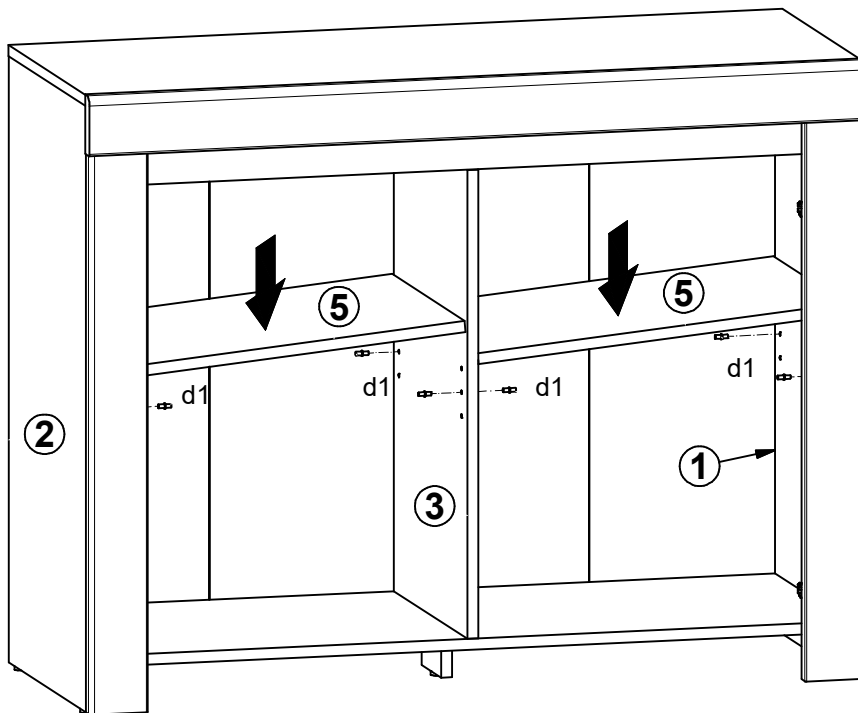
6



7



8



9 §6

