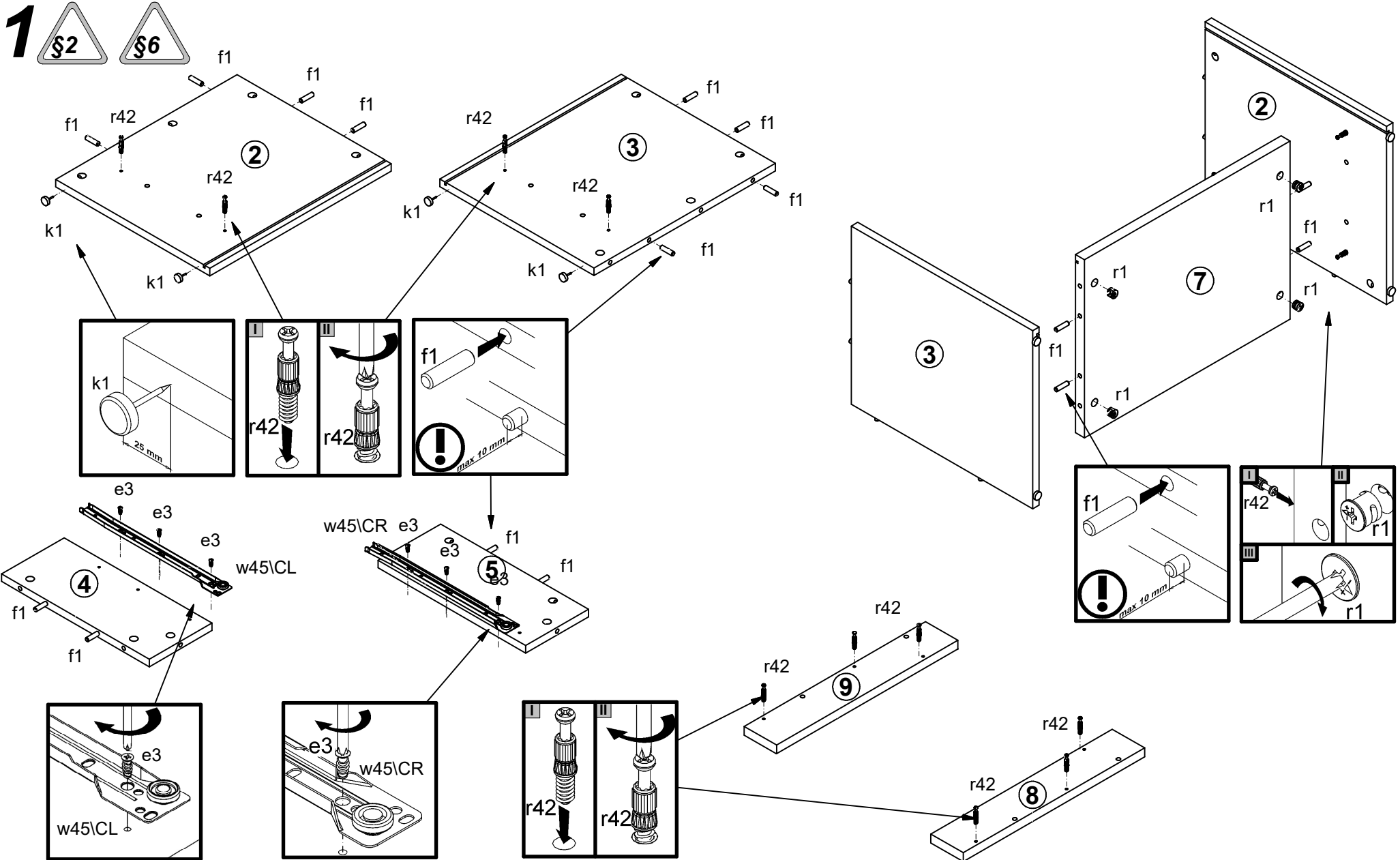


A	B	C (mm)			D
1	L30-011	374	174	16	1/1
2	L30-111	448	381	16	1/1
3	L30-112	448	381	16	1/1
4	L30-113	155	365	16	1/1
5	L30-114	155	365	16	1/1
6	L30-203	600	420	36	1/1
7	L30-308	508	381	22	1/1
8	L30-578	448	80	19	1/1
9	L30-579	448	80	19	1/1
10	L30-909	355	355	2,5	1/1
11	L30-910	348	518	2,5	1/1
12	ZS3-5595	333	120	15	1/1
13	ZS4-501	350	120	12	1/1
14	ZS4-502	350	120	12	1/1



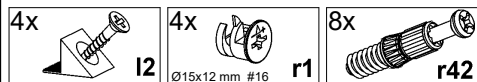
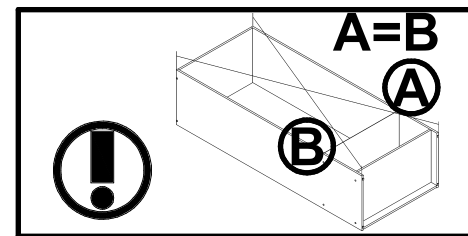
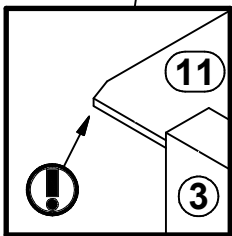
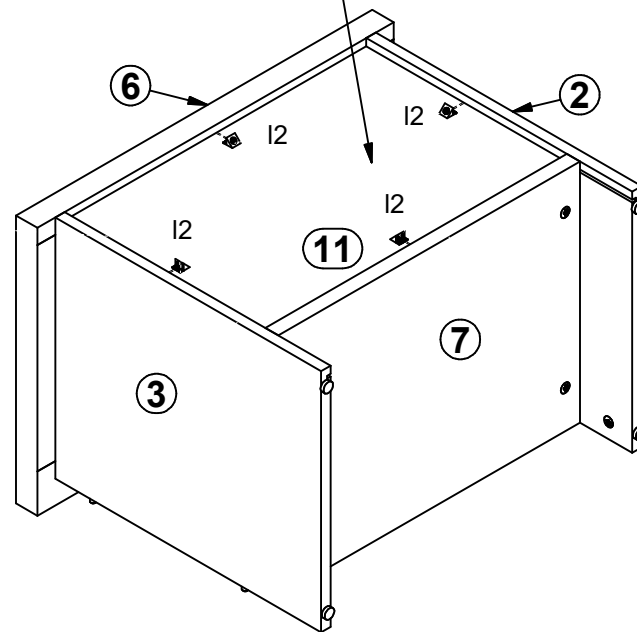
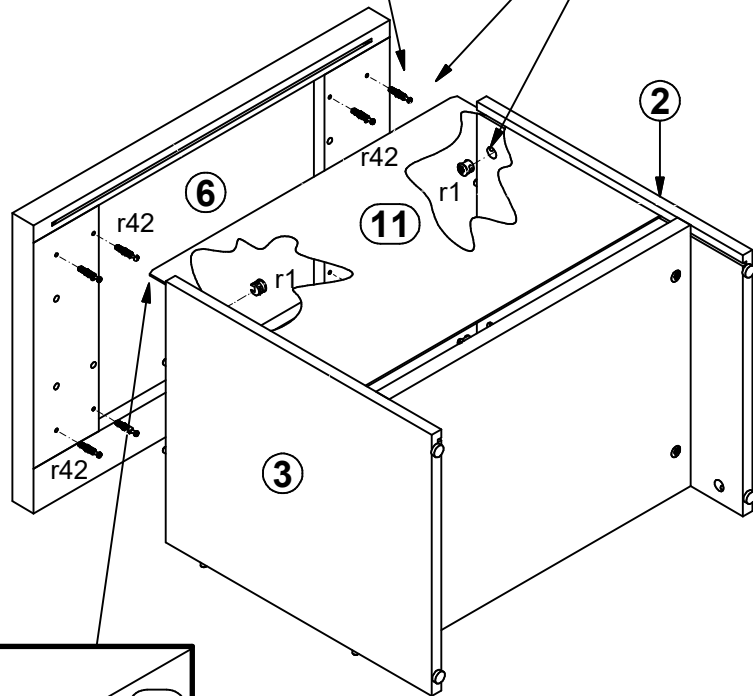
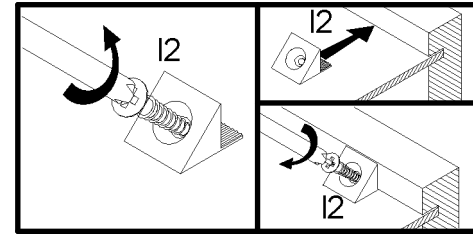
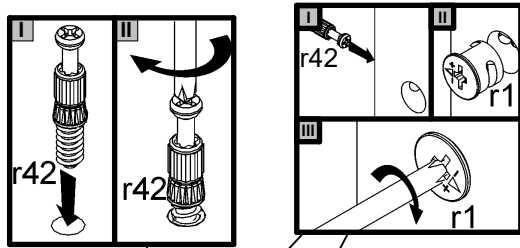
D
1/1

1x 128 mm c452	4x Ø5x9 mm e19	6x Ø6x13 mm e3	16x Ø6x30 mm f1	4x Ø6.5x40 mm f25	2x Ø6x30 mm f9	2x M4x25 mm j8	4x k1	4x l2	3x Ø3.5x16 mm p38	18x Ø15x12 mm #16 r1	4x Ø12x10.5 mm #12 r15
22x r42	1x 350 mm w45\CL	1x 350 mm w45\CR	1x 350 mm w45\DL	1x 350 mm w45\DR	4x Ø16 s2	1x n26	1x Ø3.5x16 mm p38				

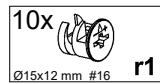
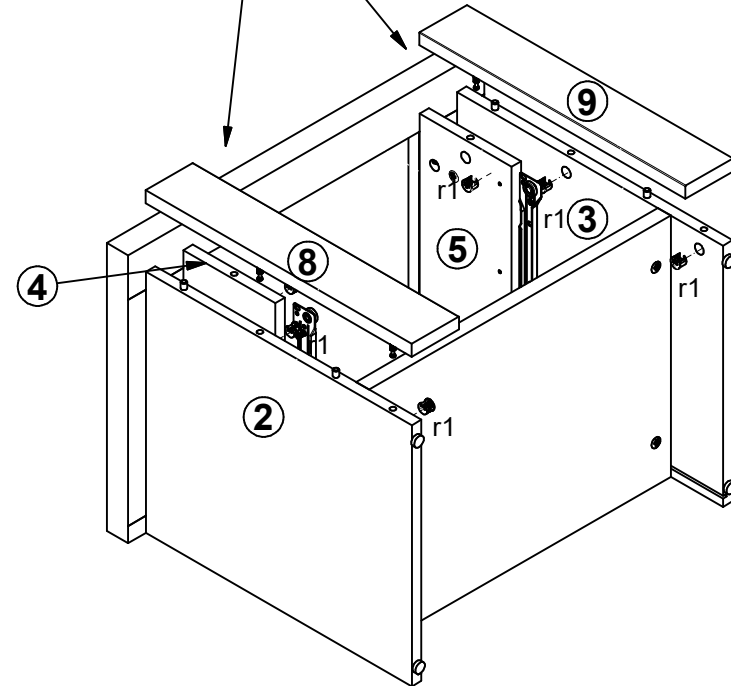
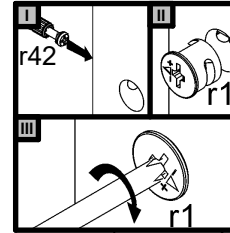
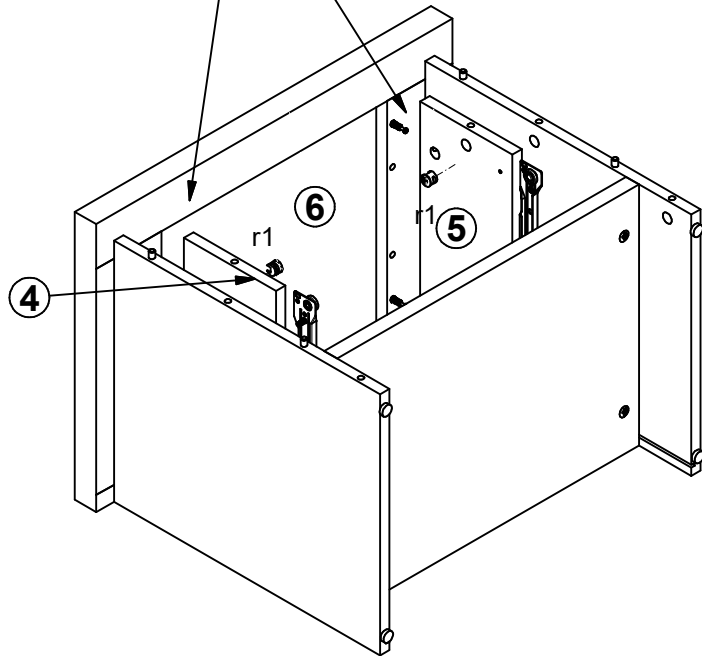


- | | | | | | | |
|----------------------|-----------------------|----------|---------------------------|------------|------------------------|------------------------|
| 6x
Ø6x13 mm
e3 | 16x
Ø8x30 mm
f1 | 4x
k1 | 4x
Ø15x12 mm #16
r1 | 10x
r42 | 1x
350 mm
w45\CL | 1x
350 mm
w45\CR |
|----------------------|-----------------------|----------|---------------------------|------------|------------------------|------------------------|

2

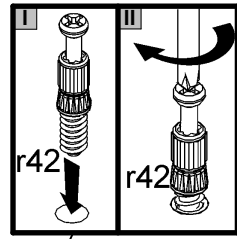
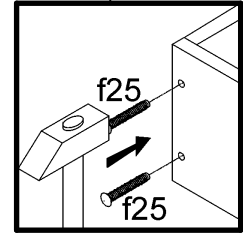
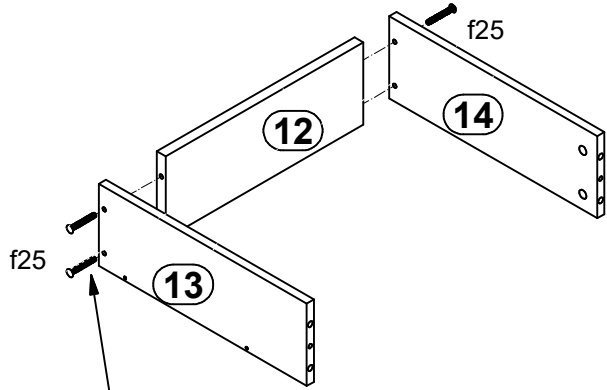


3

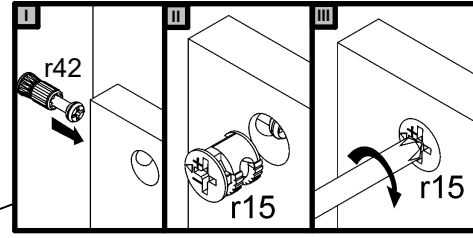
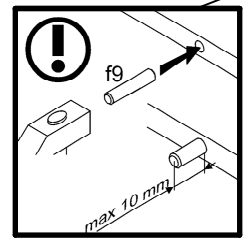
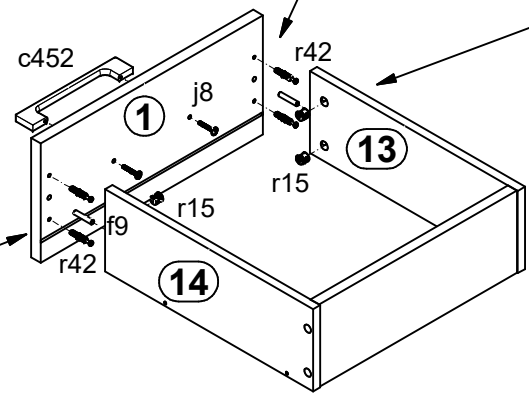


4

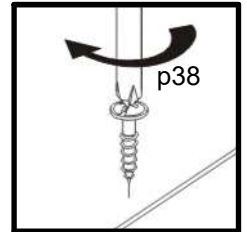
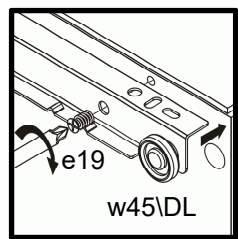
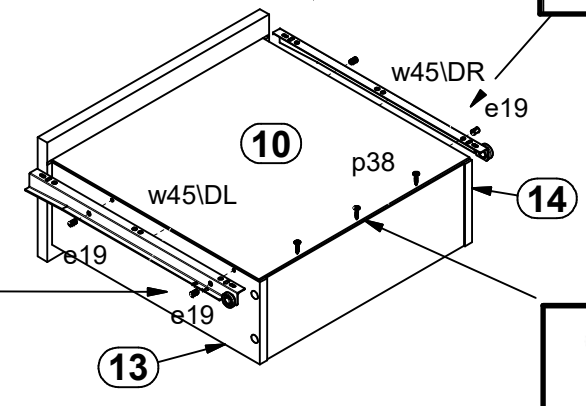
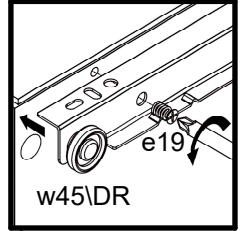
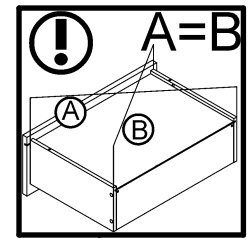
I



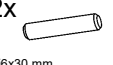

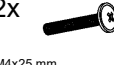

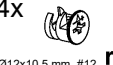





II



III



- 1x  c452
- 4x  e19
- 2x  f9
- 4x  f25
- 2x  j8
- 3x  p38
- 4x  r15
- 4x  r42
- 1x  w45\DL 350 mm
- 1x  w45\DR 350 mm

5

