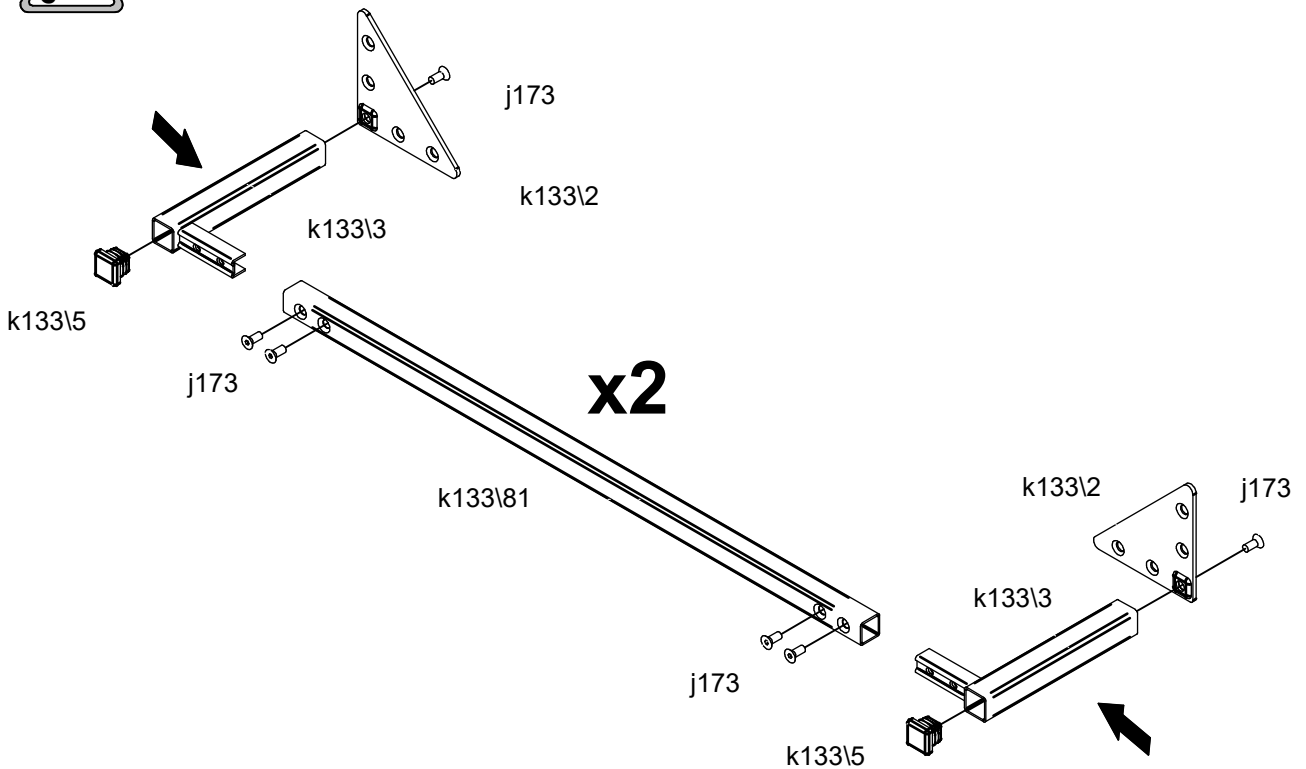
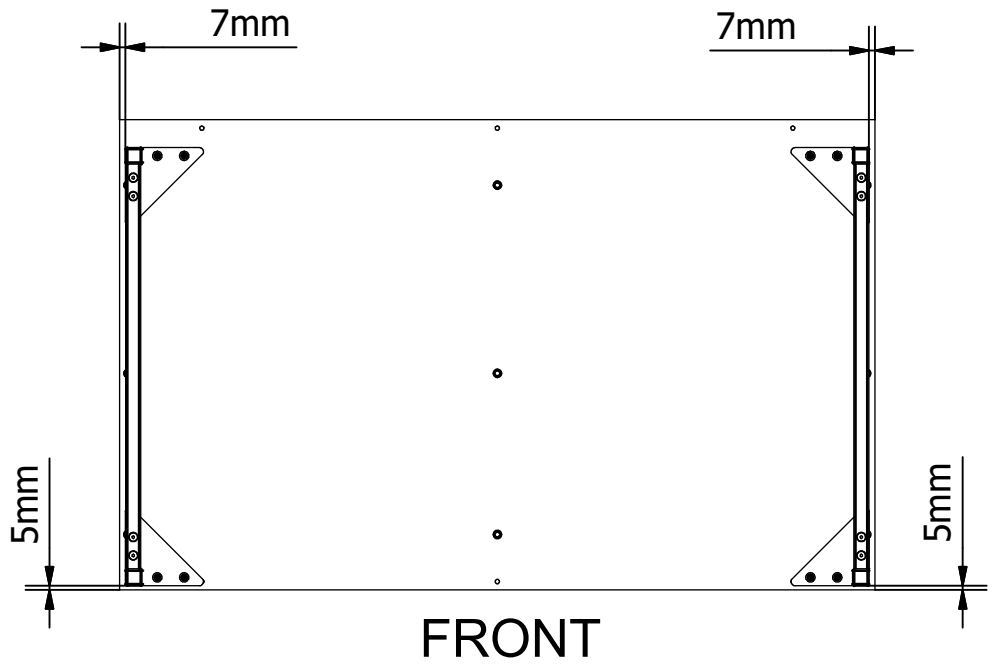


1x  k165\1	2x  L-482 k133\81	4x  20x20 k133\5	4x  k133\3	4x  k133\2	12x  M5x12 mm j173	20x  Ø4x16 mm p19	1x  3 mm z22
------------------	-------------------------	------------------------	------------------	------------------	--------------------------	-------------------------	--------------------

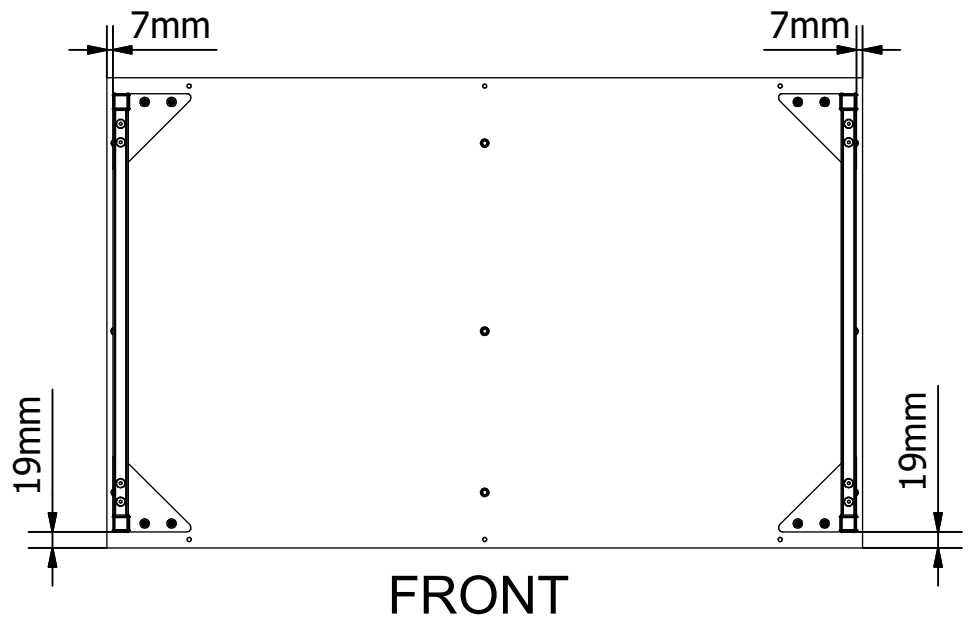
**1**



# 2A



# 2B



# 3

