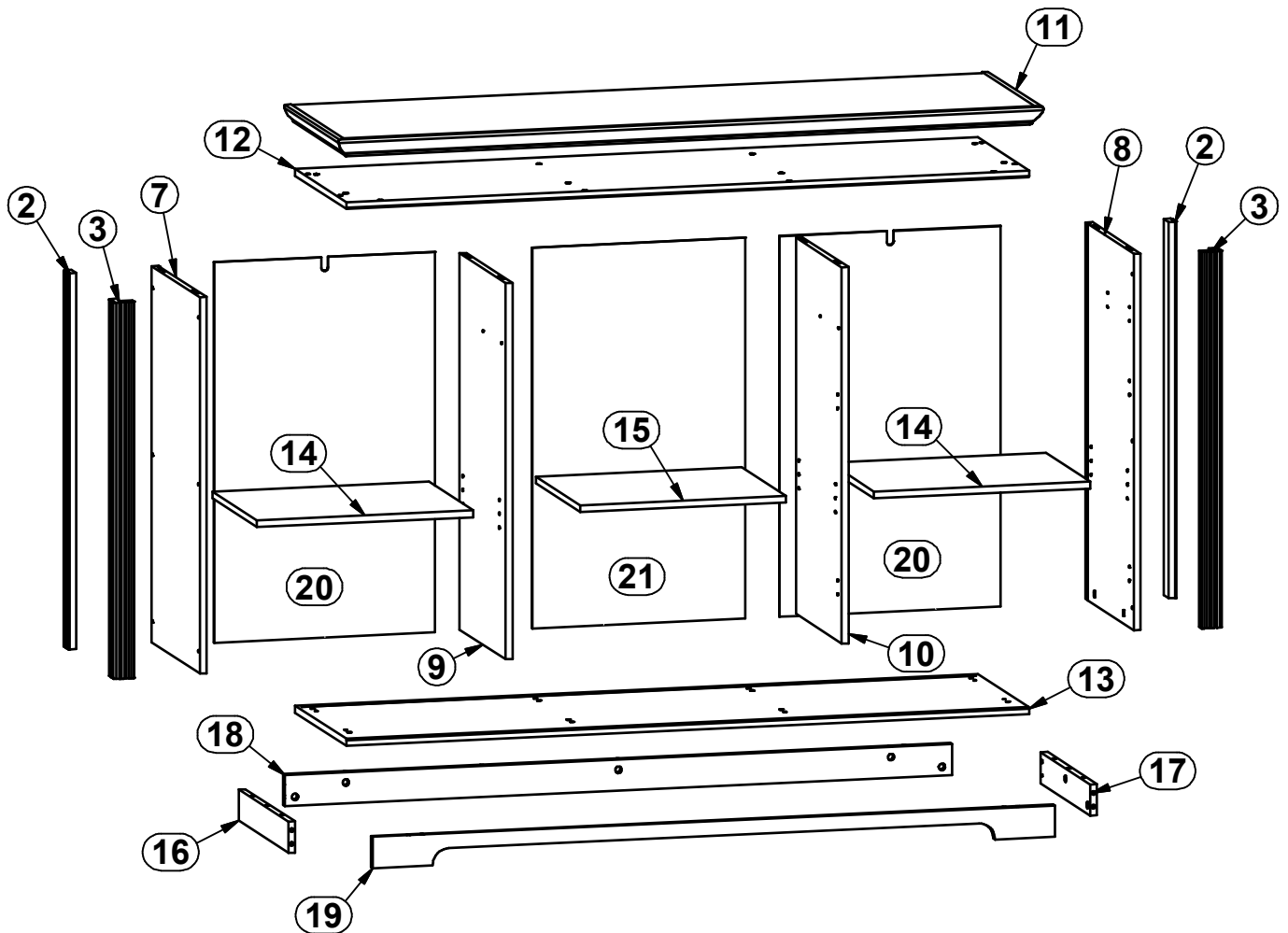
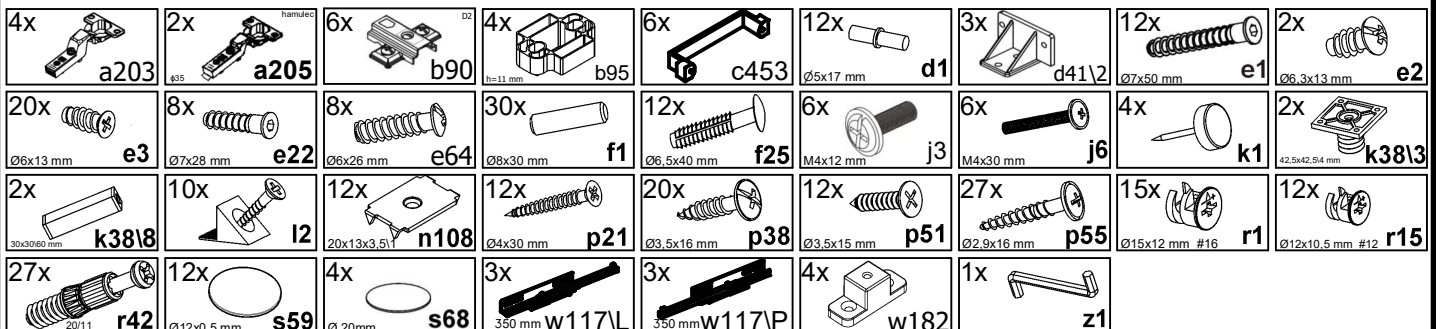
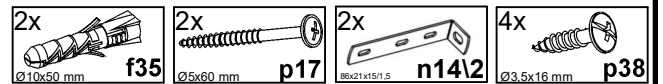
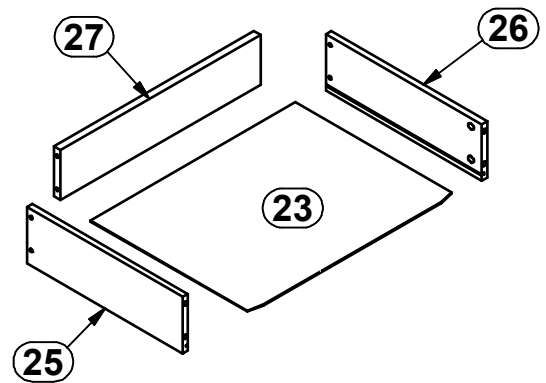
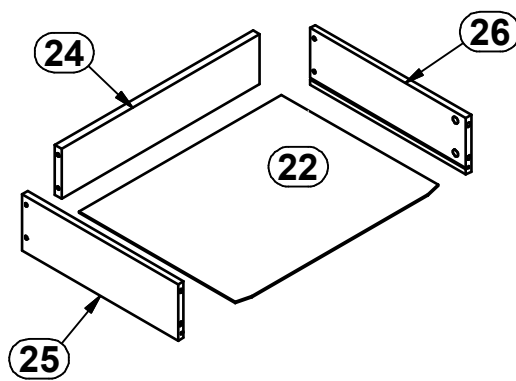
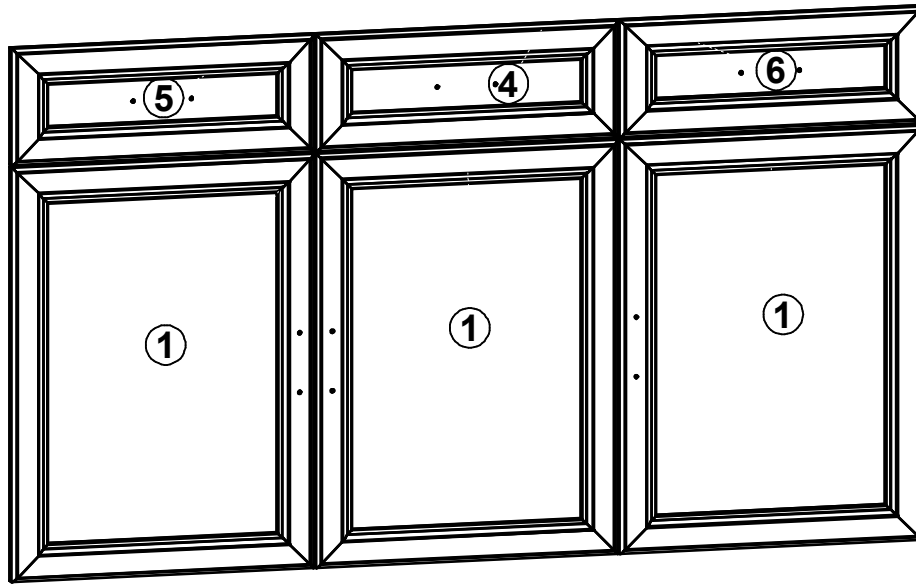
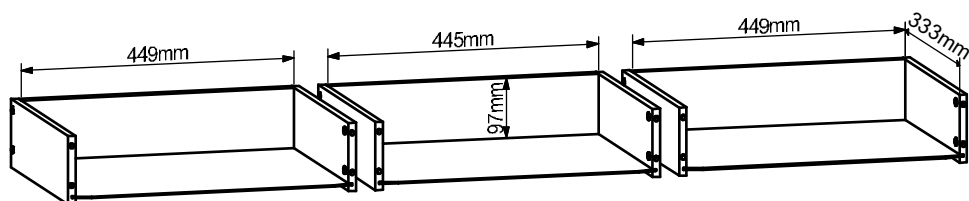
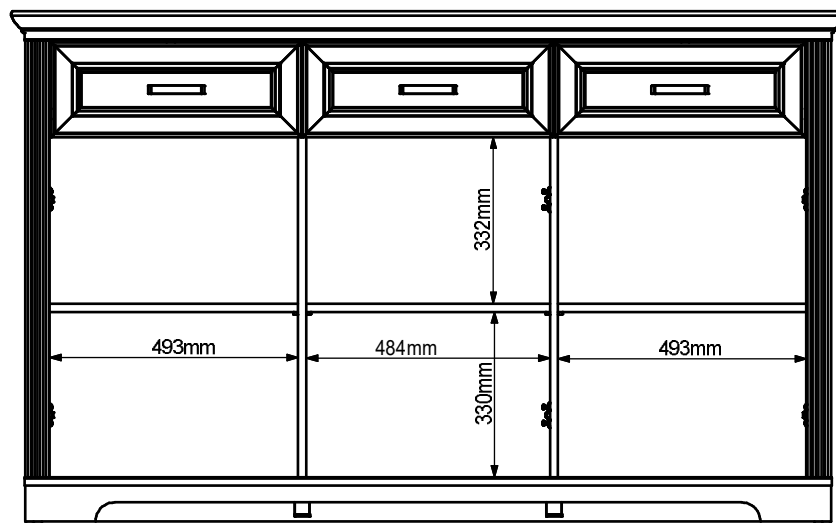
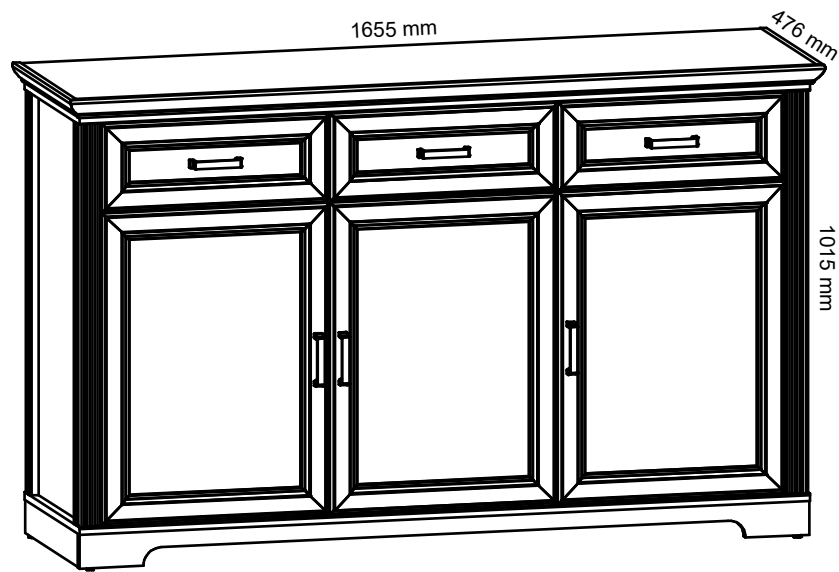


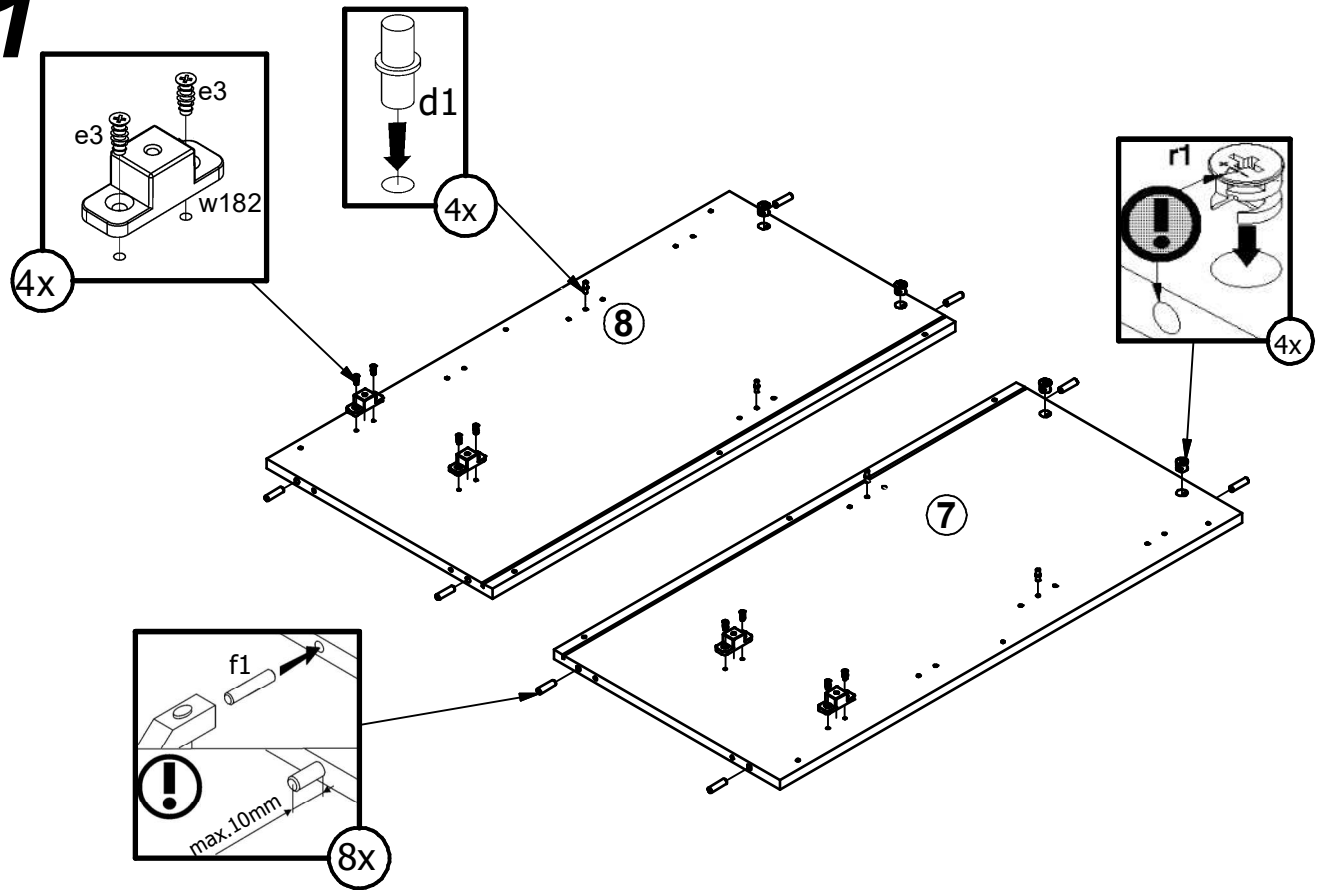
A	B	C1	C2	C3	D
1	M261-0002	668	496	22	4/4
2	M261-5001	866	43	19	1/4
3	M261-5002	866	49	49	1/4
4	S529-0003	496	188	22	4/4
5	S529-0004	496	188	22	4/4
6	S529-0005	496	188	22	4/4
7	S529-1013	866	423	16	1/4
8	S529-1014	866	423	16	1/4
9	S529-1015	866	403	16	1/4
10	S529-1016	866	403	16	1/4
11	S529-2001	1655	476	43	2/4
12	S529-2002	1602	450	16	3/4
13	S529-2008	1602	450	16	3/4
14	S529-3013	507	388	16	2/4
15	S529-3014	484	388	16	2/4
16	S529-4101	433	72	16	3/4
17	S529-4102	433	72	16	3/4
18	S529-4103	1566	72	16	3/4
19	S529-4151	1600	72	16	3/4
20	S529-9010	876	519	2,5	4/4
21	S529-9011	876	500	2,5	4/4
22	WSP-9261	455	358	2,5	2/4
23	WSP-9396	459	358	2,5	2/4
24	ZQ6-5022	445	97	15	3/4
25	ZQ6-519	350	110	12	3/4
26	ZQ6-520	350	110	12	3/4
27	ZQ6-5231	449	97	15	3/4



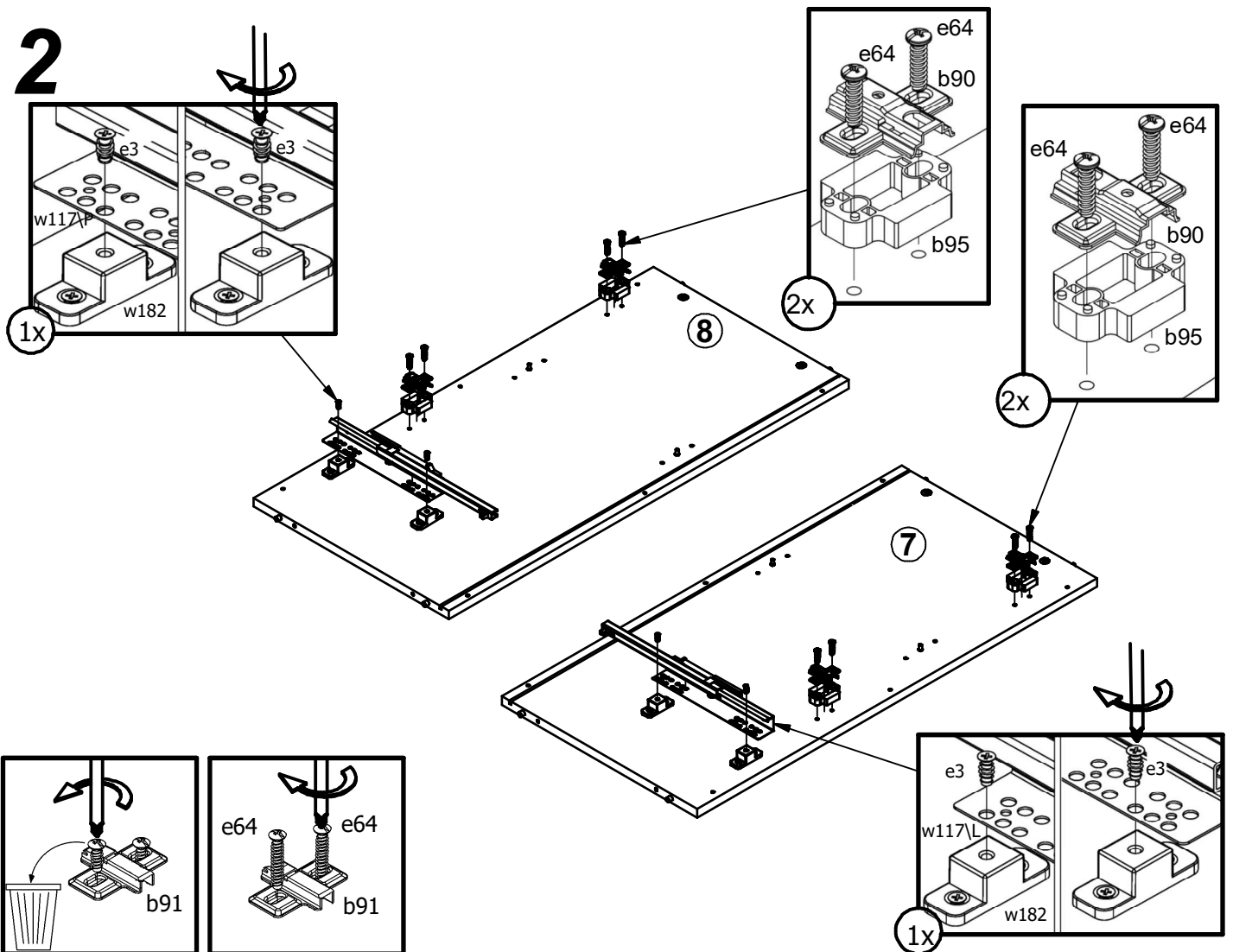


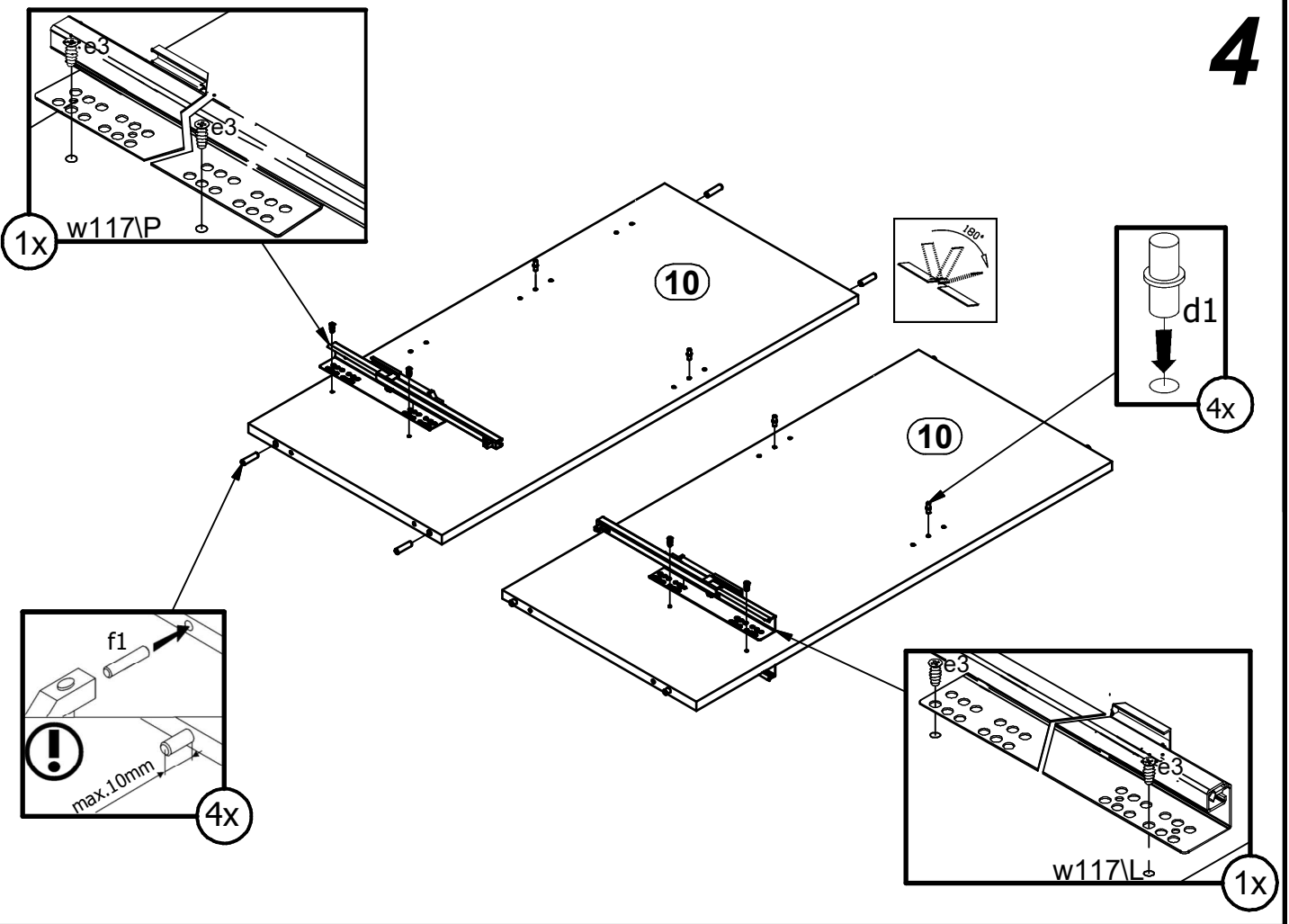
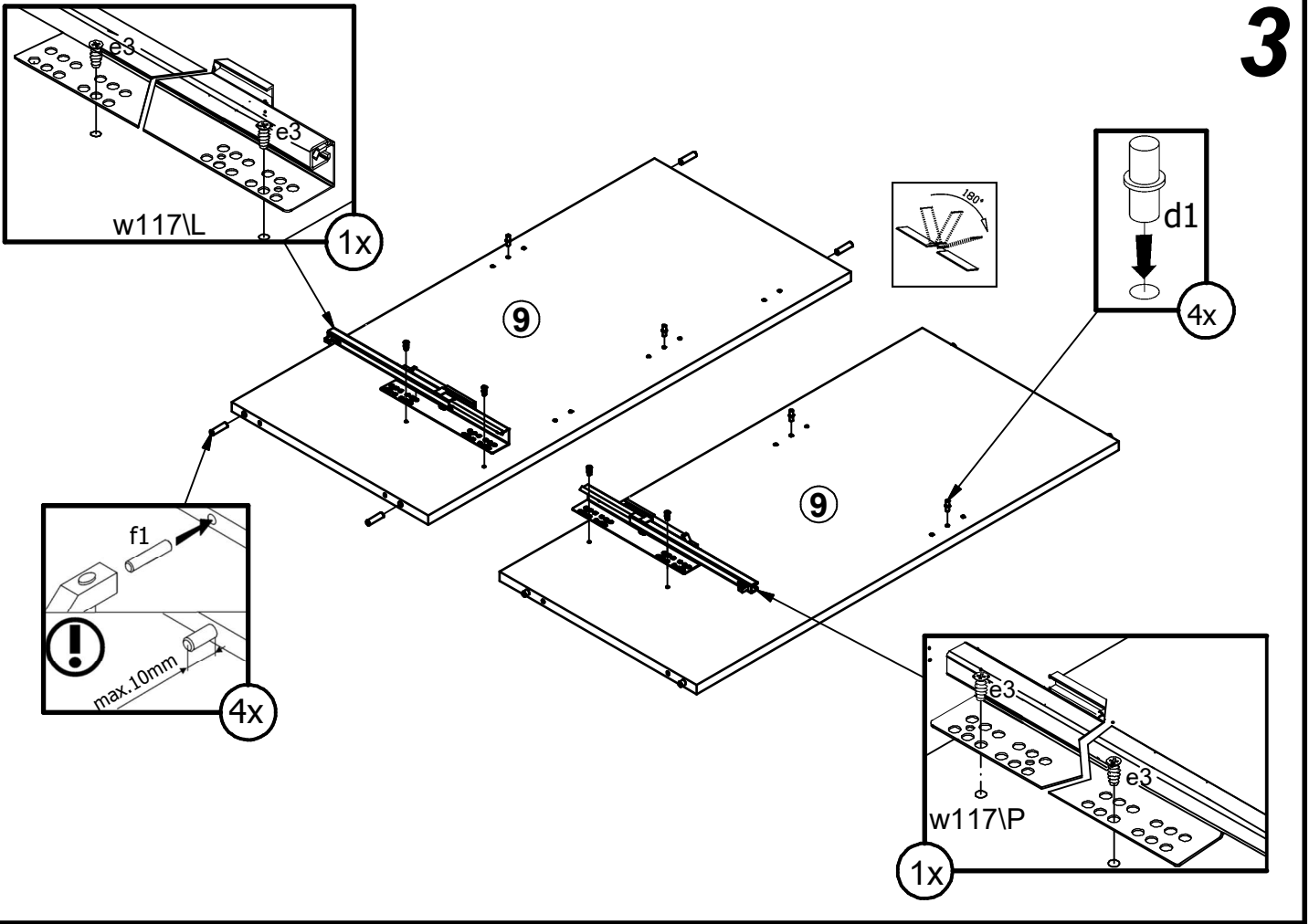


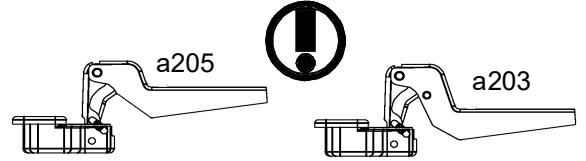
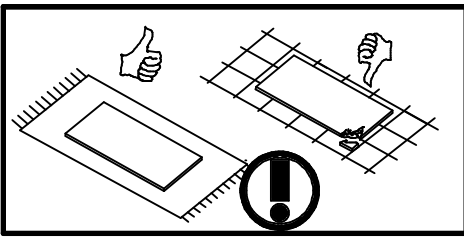
1



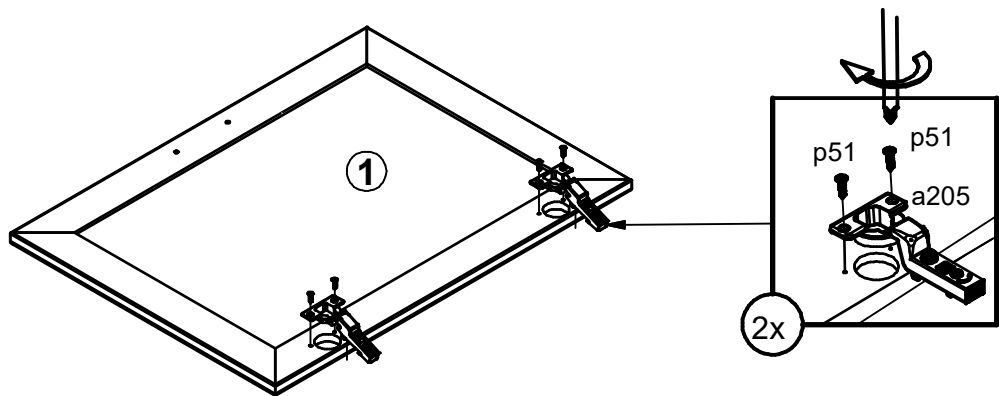
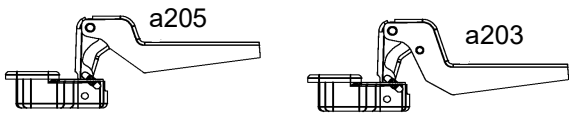
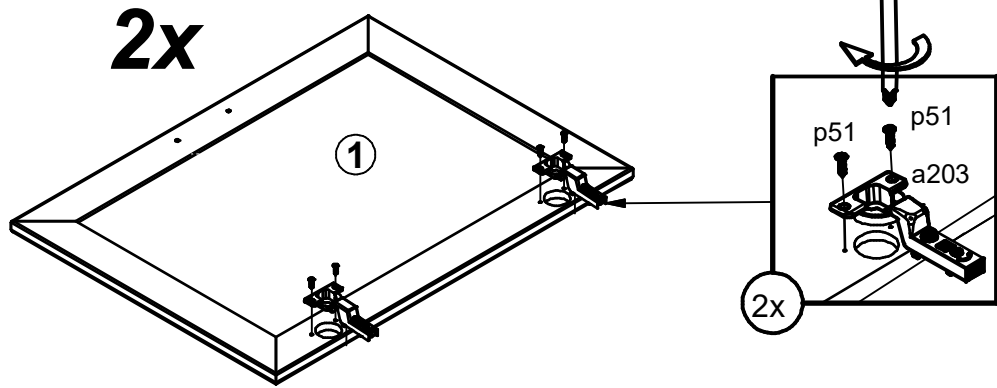
2



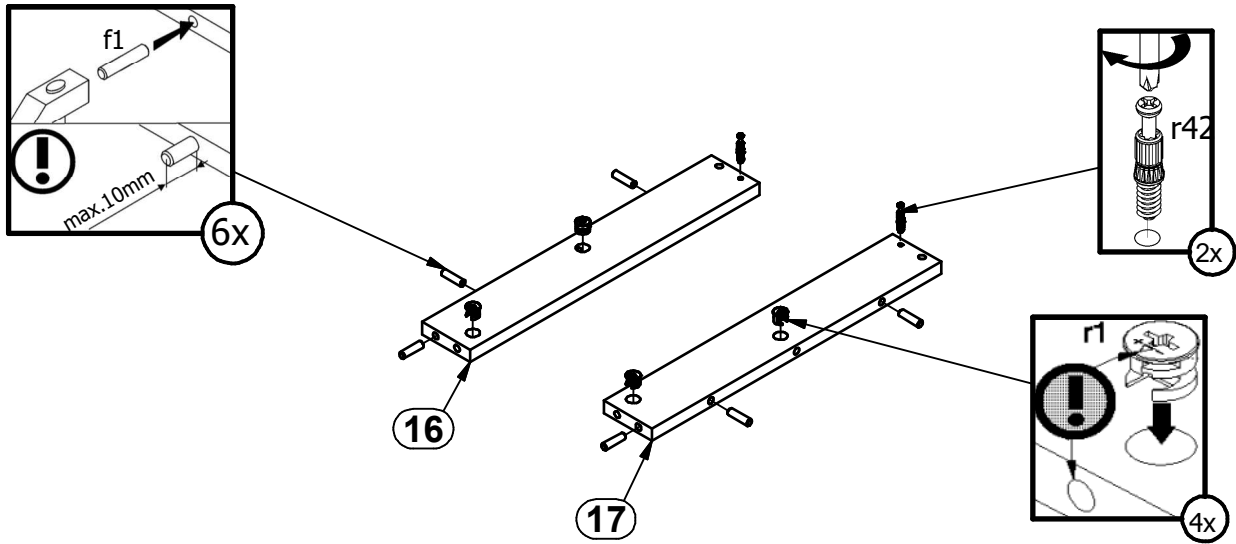




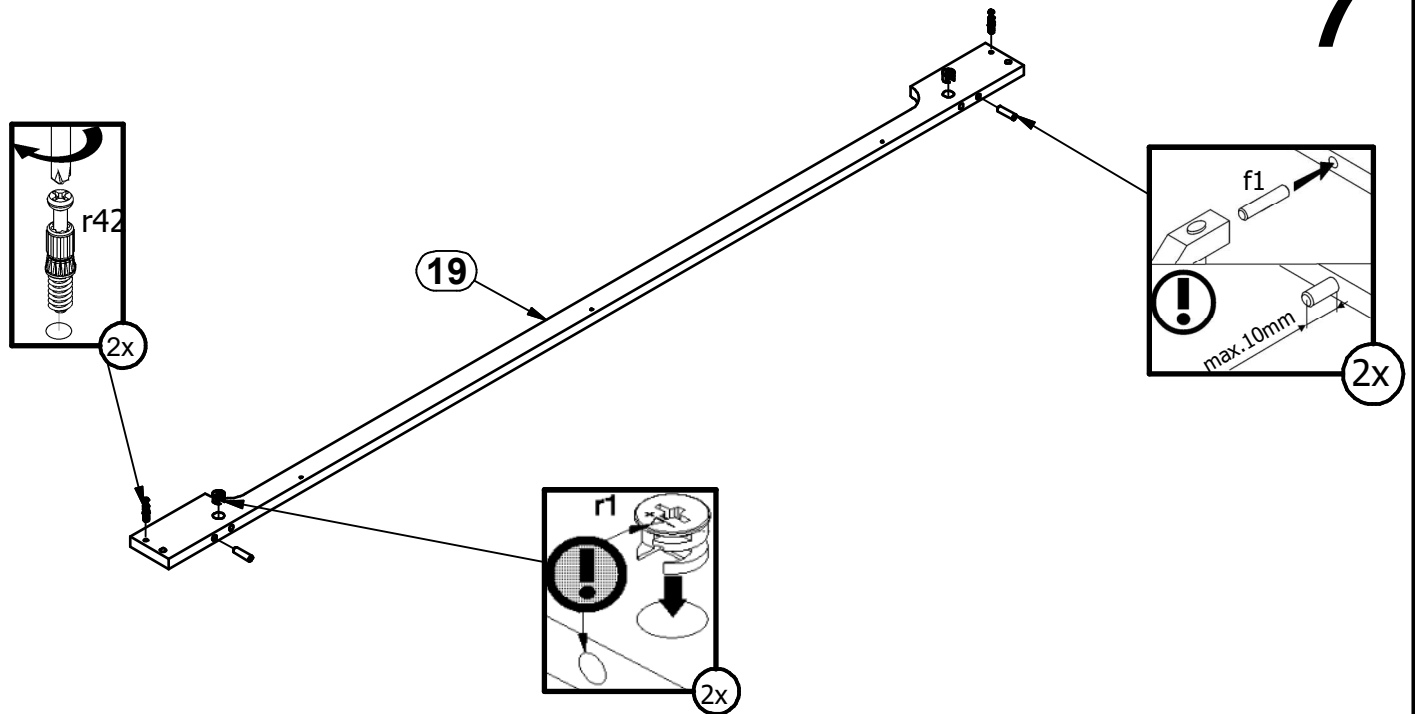
5



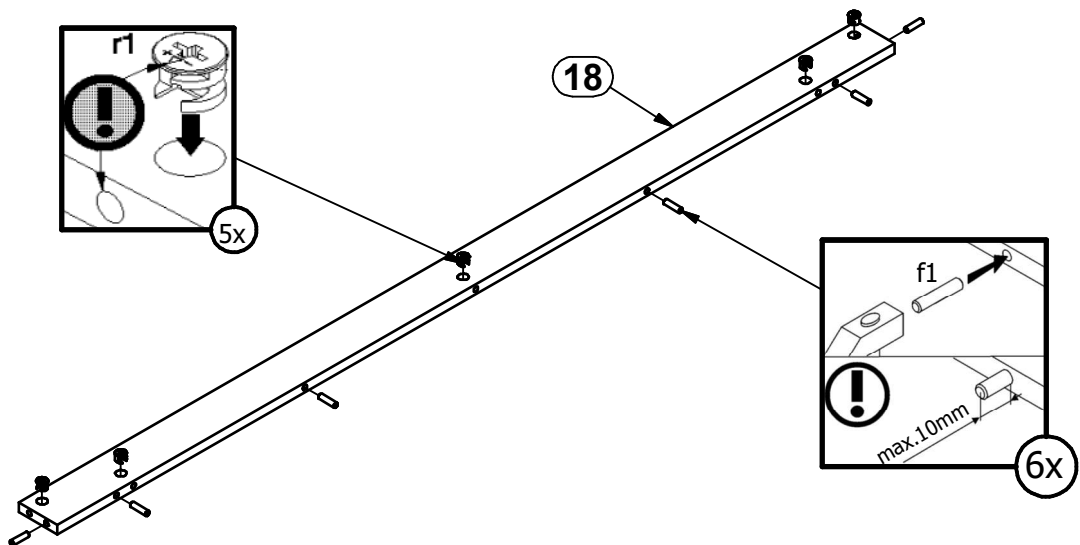
6



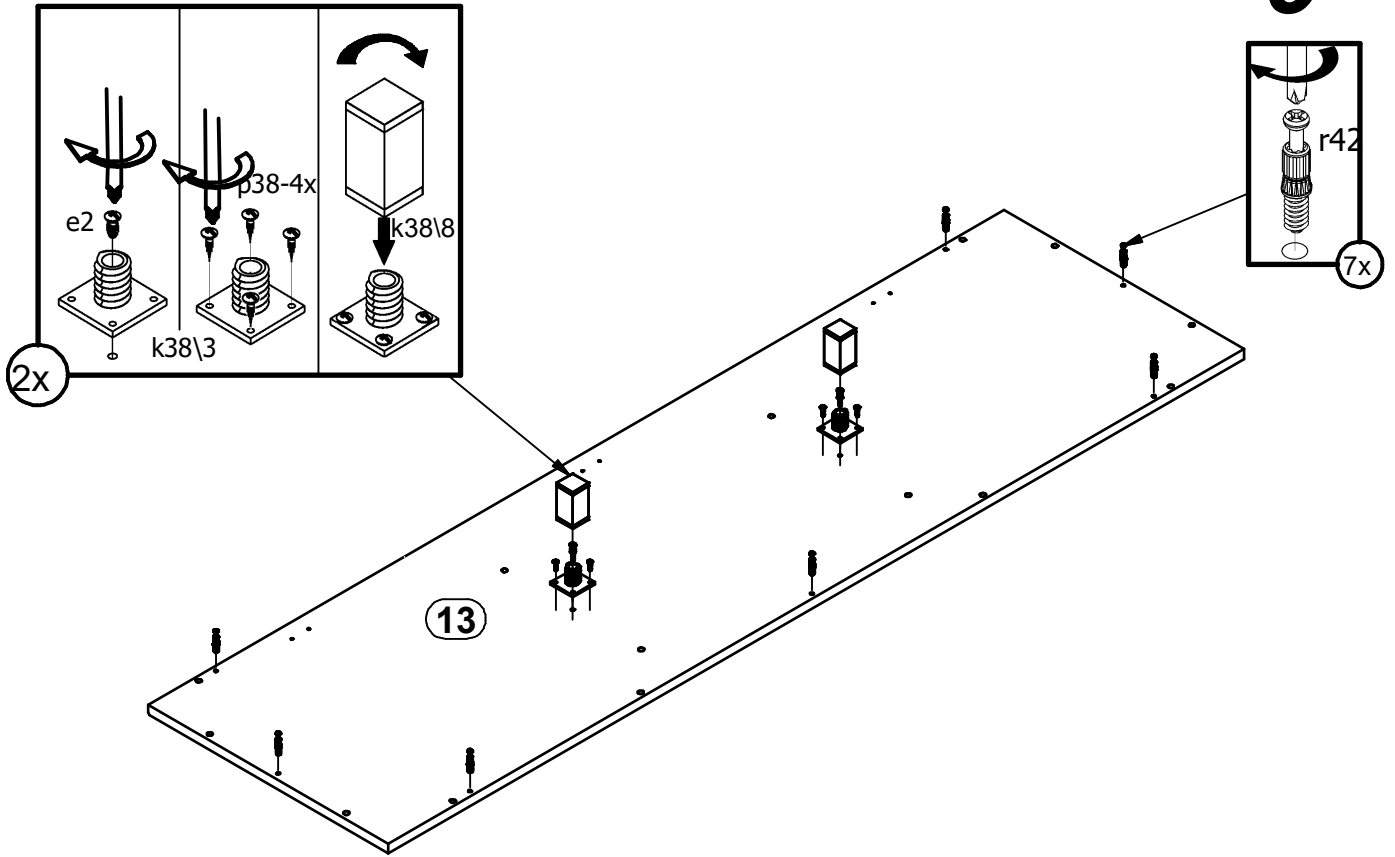
7



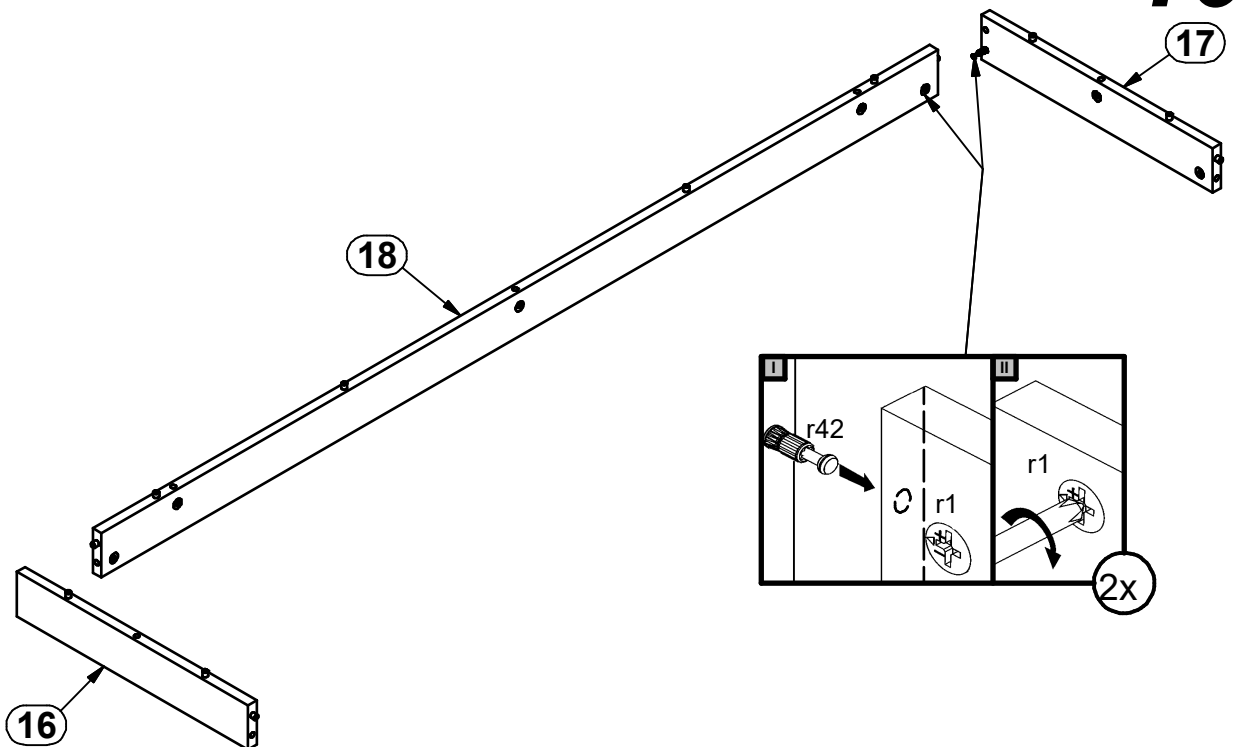
8



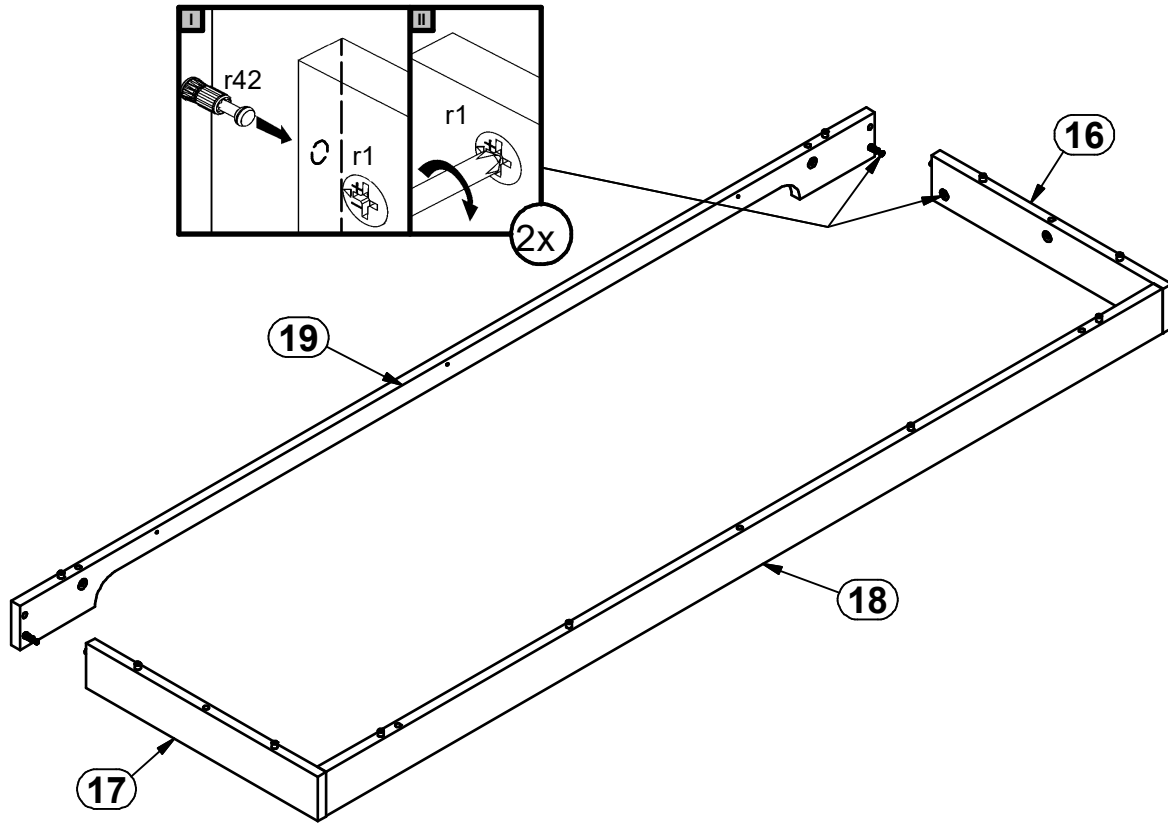
9



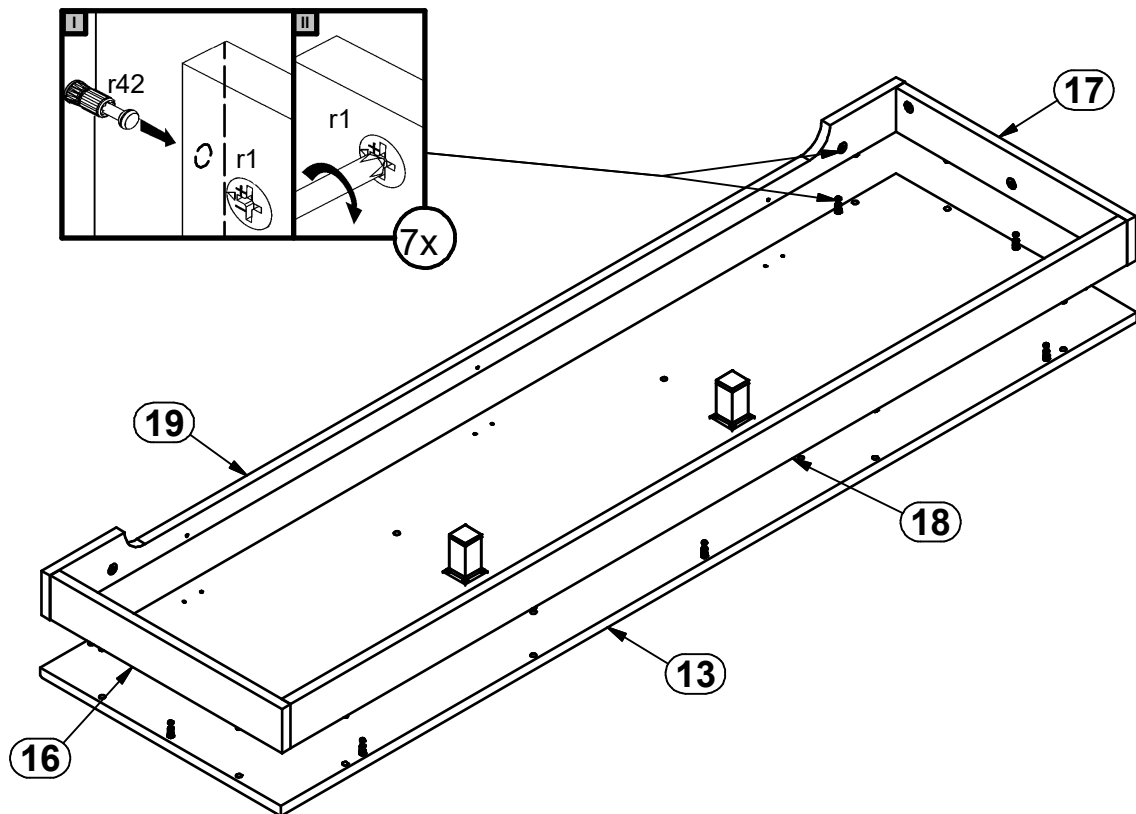
10



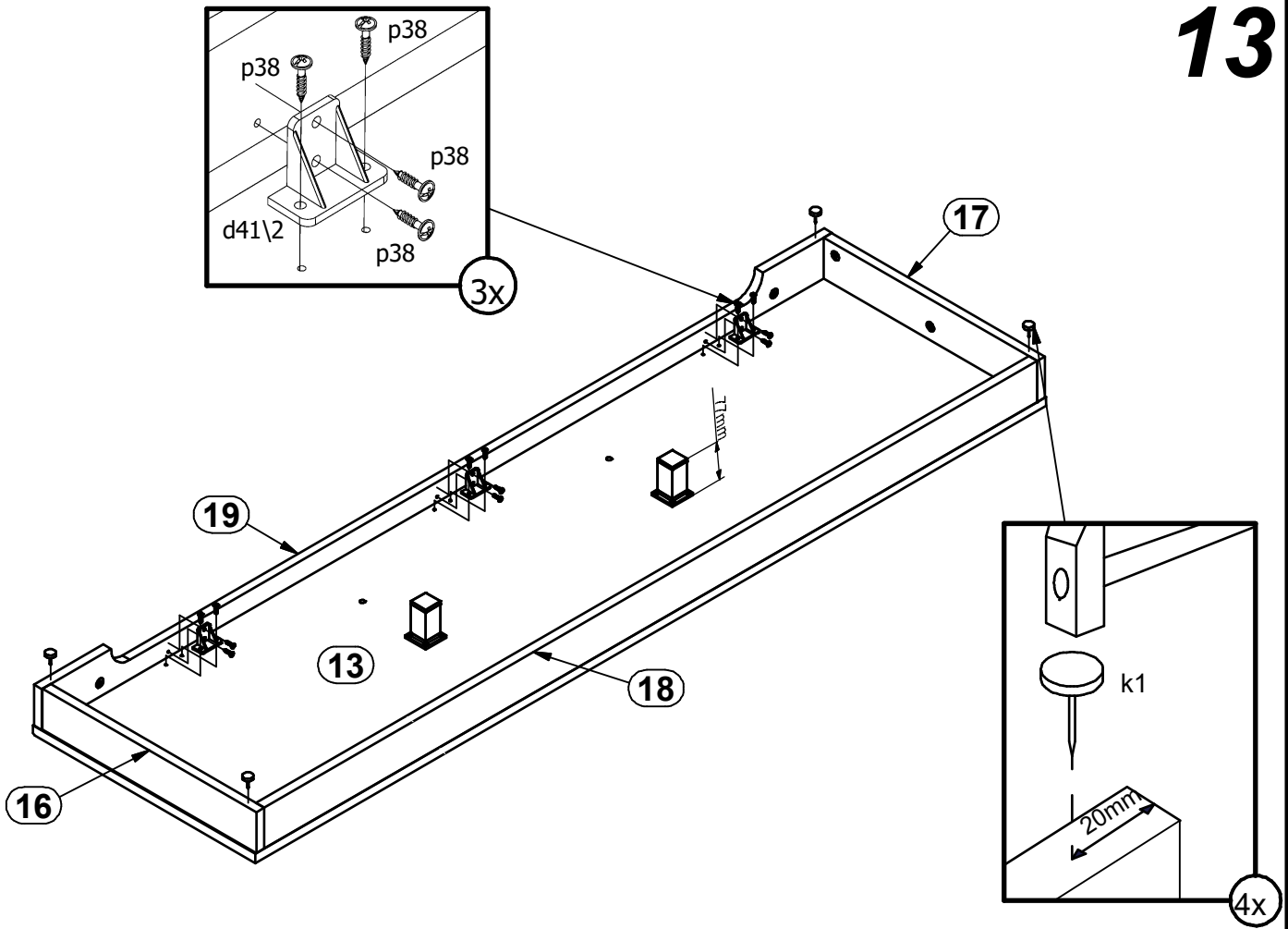
11



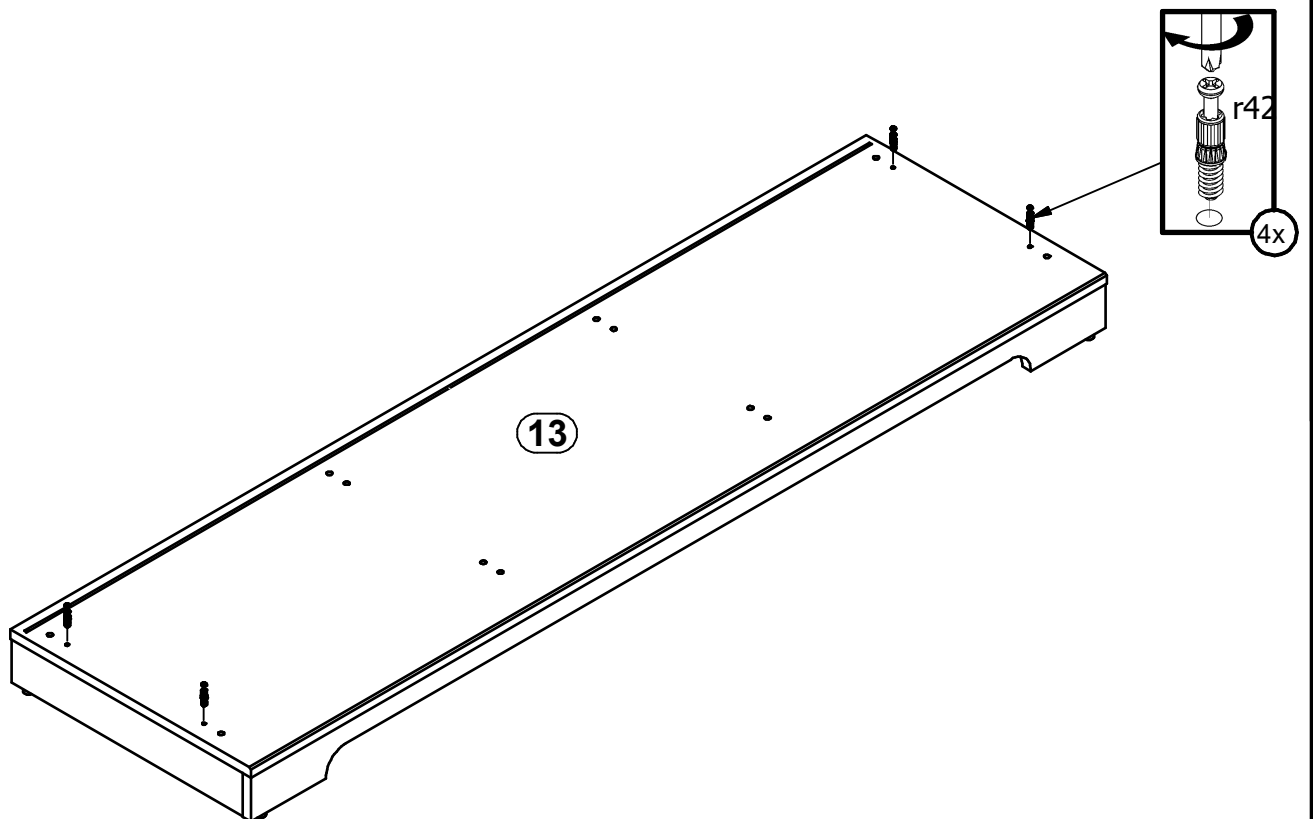
12



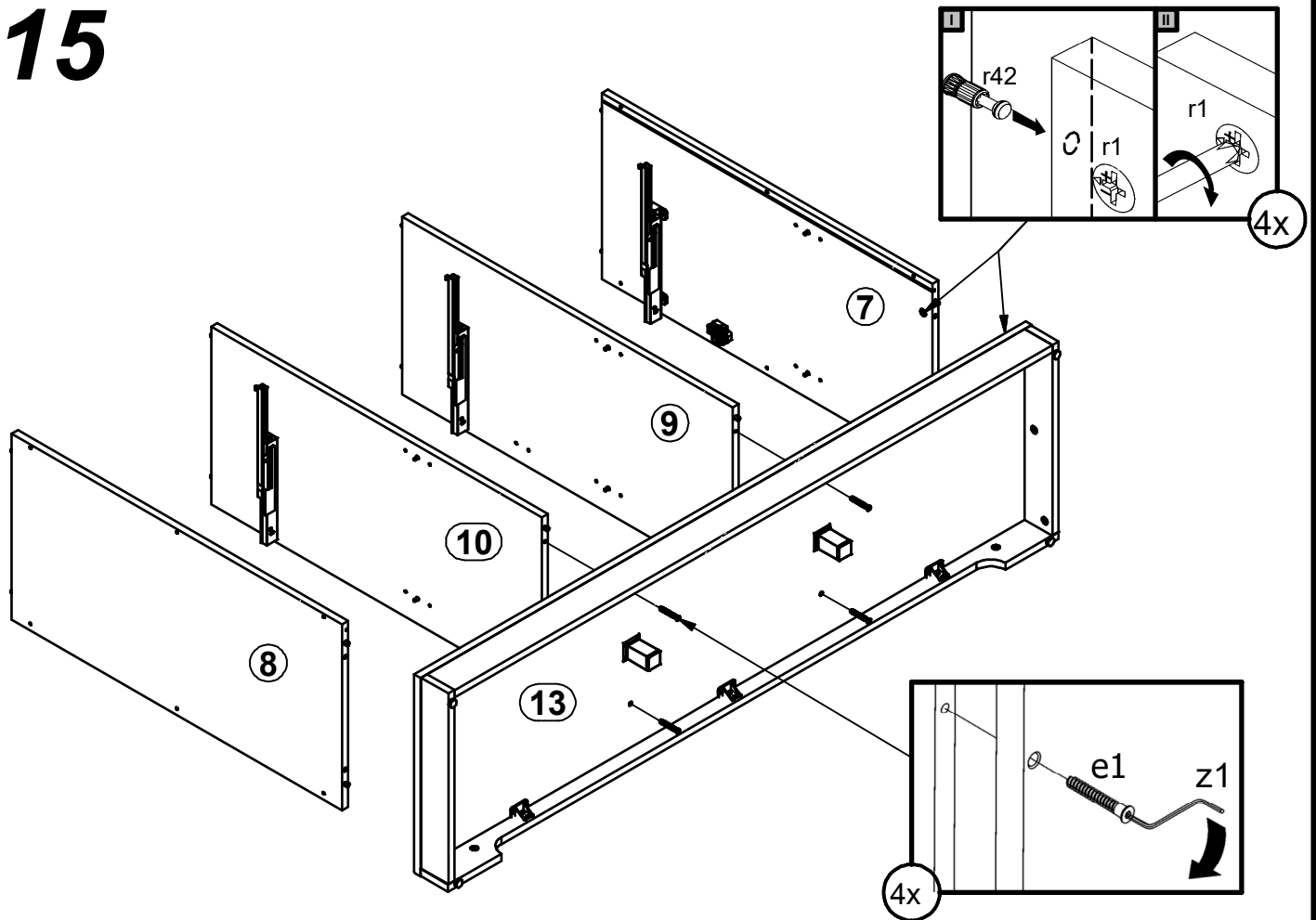
13



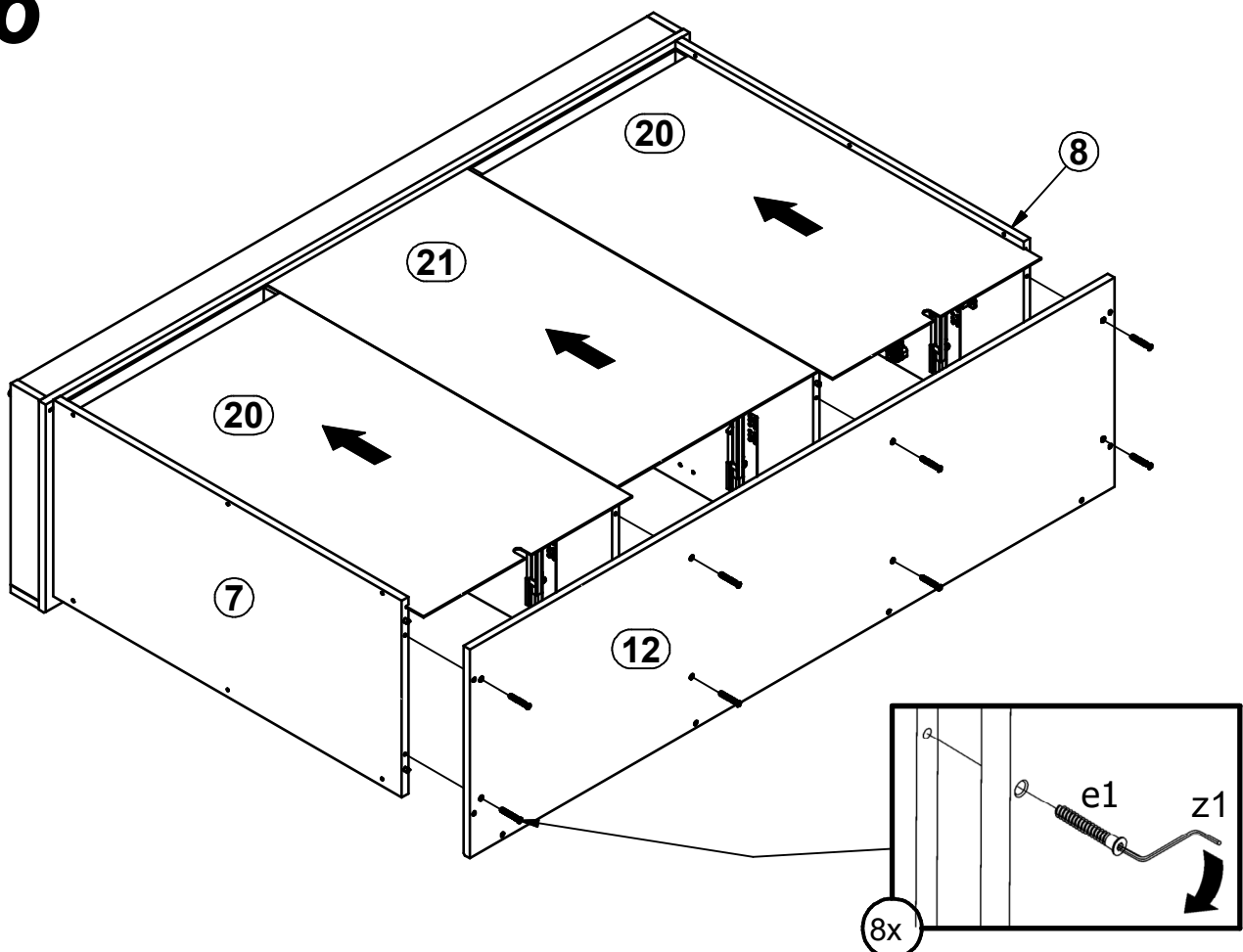
14



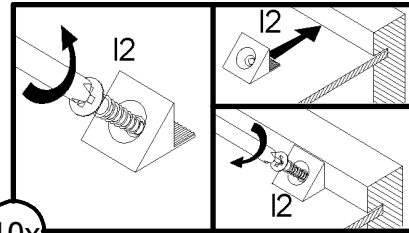
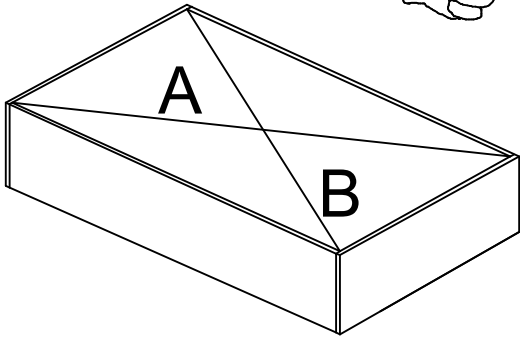
15



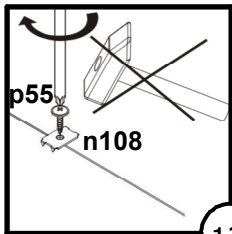
16



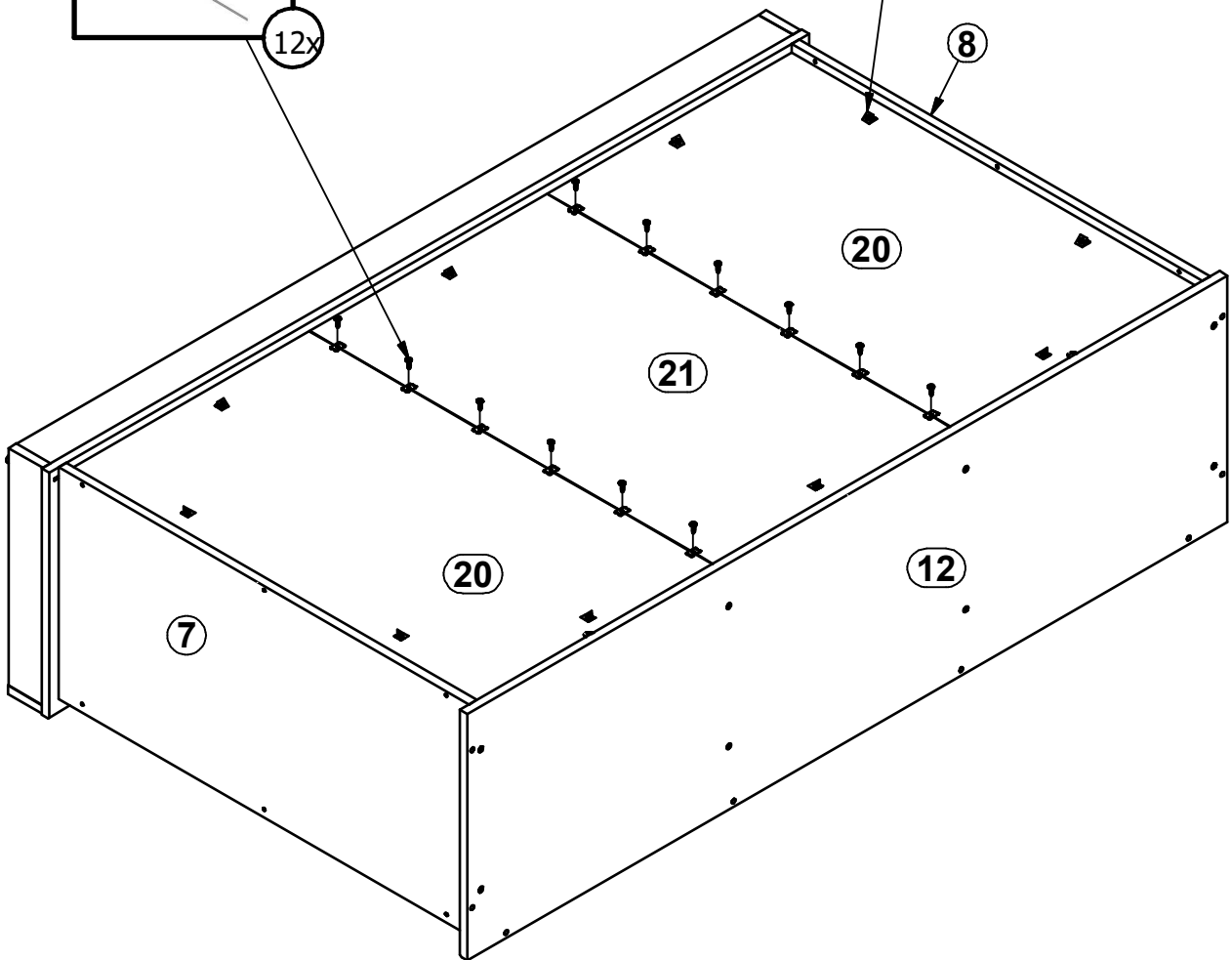
A=B

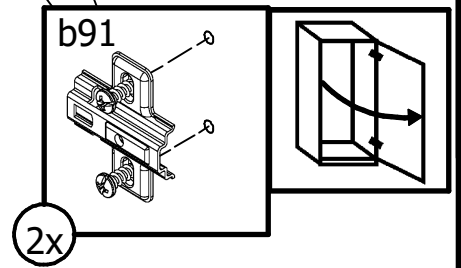
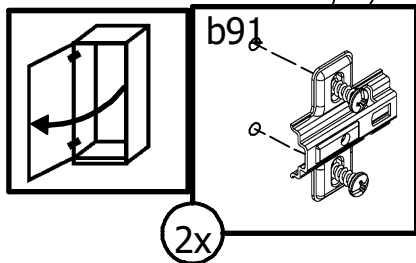
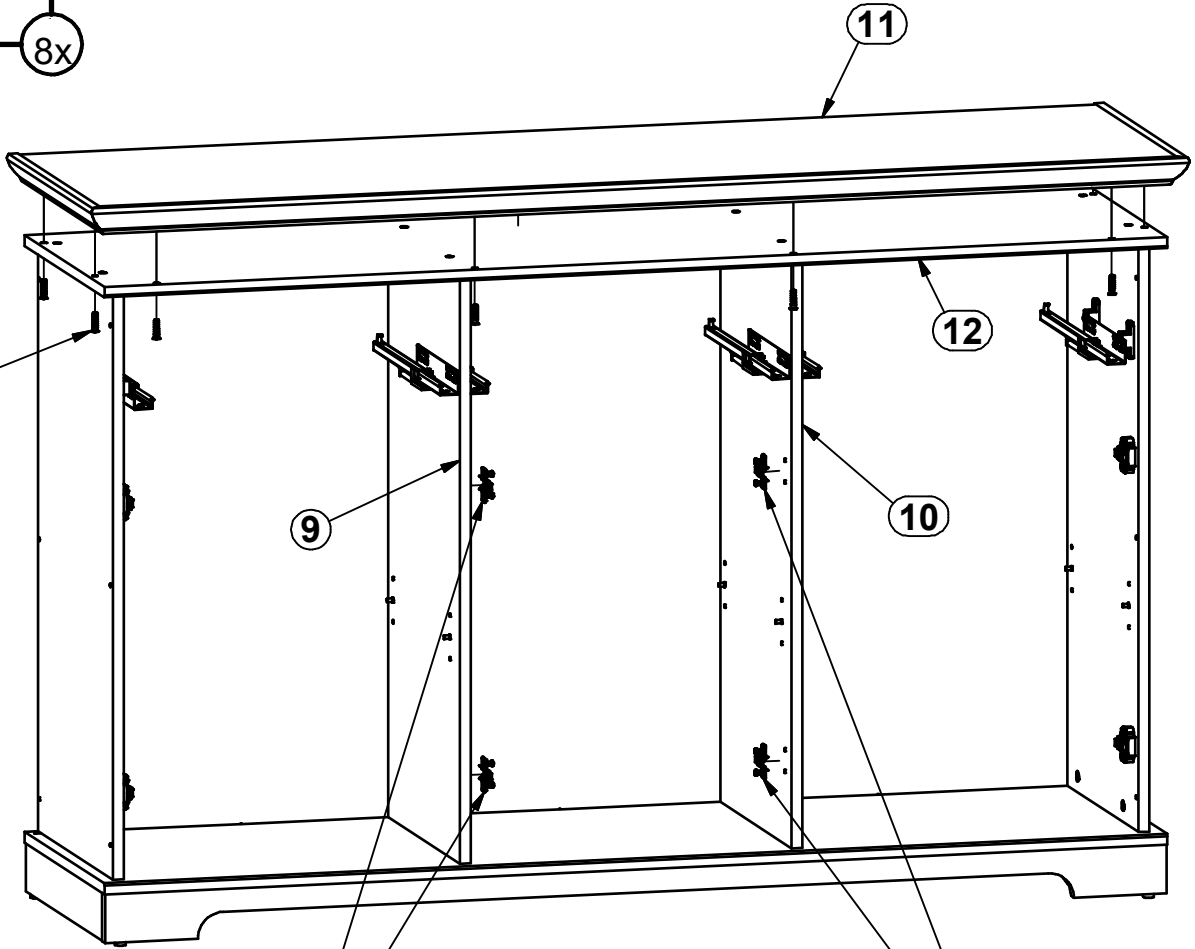
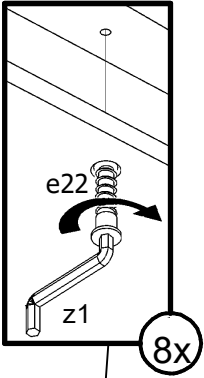
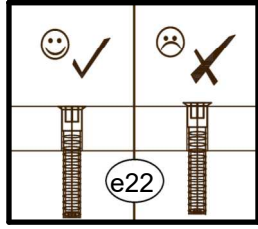


10x

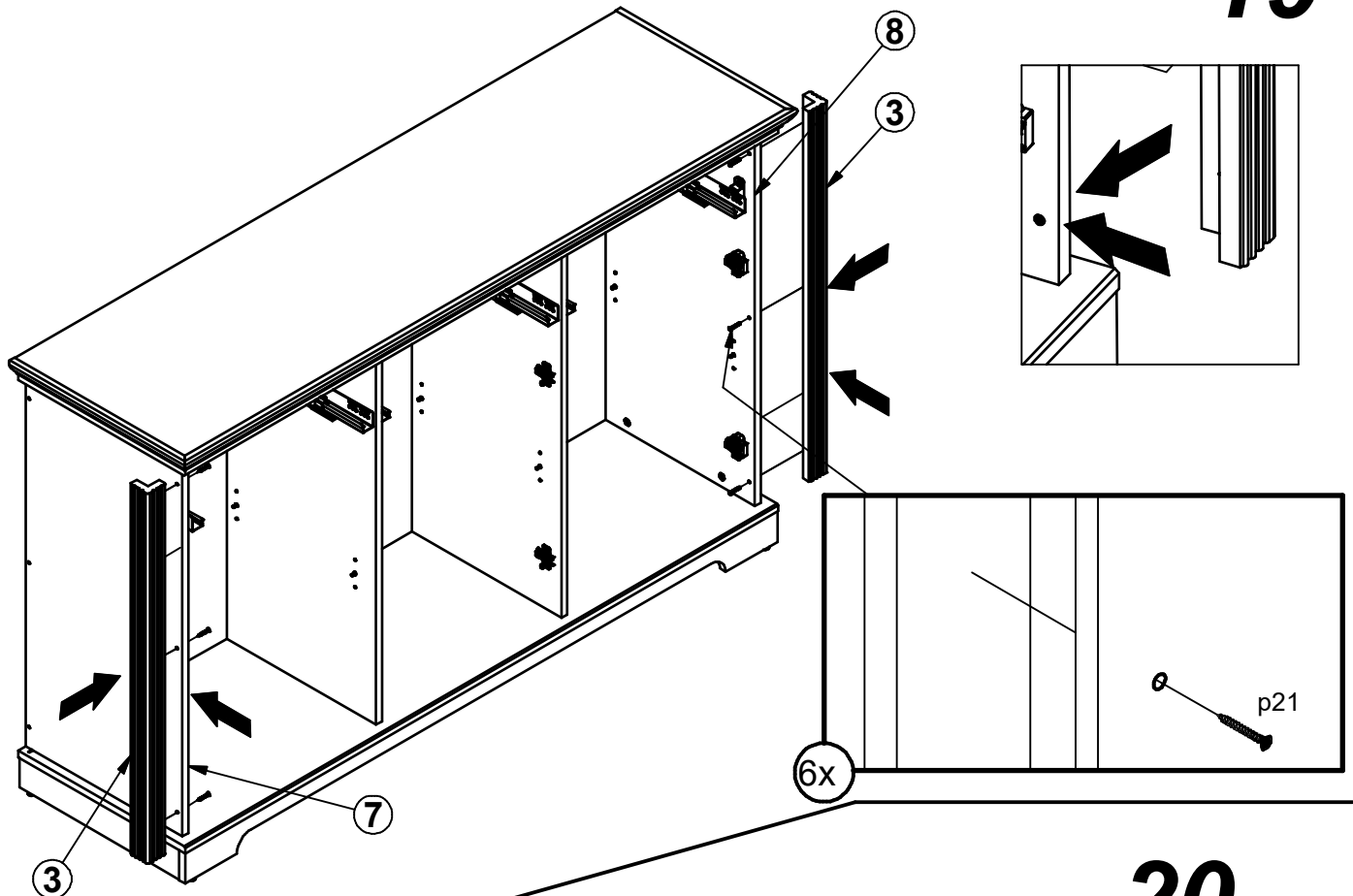


12x

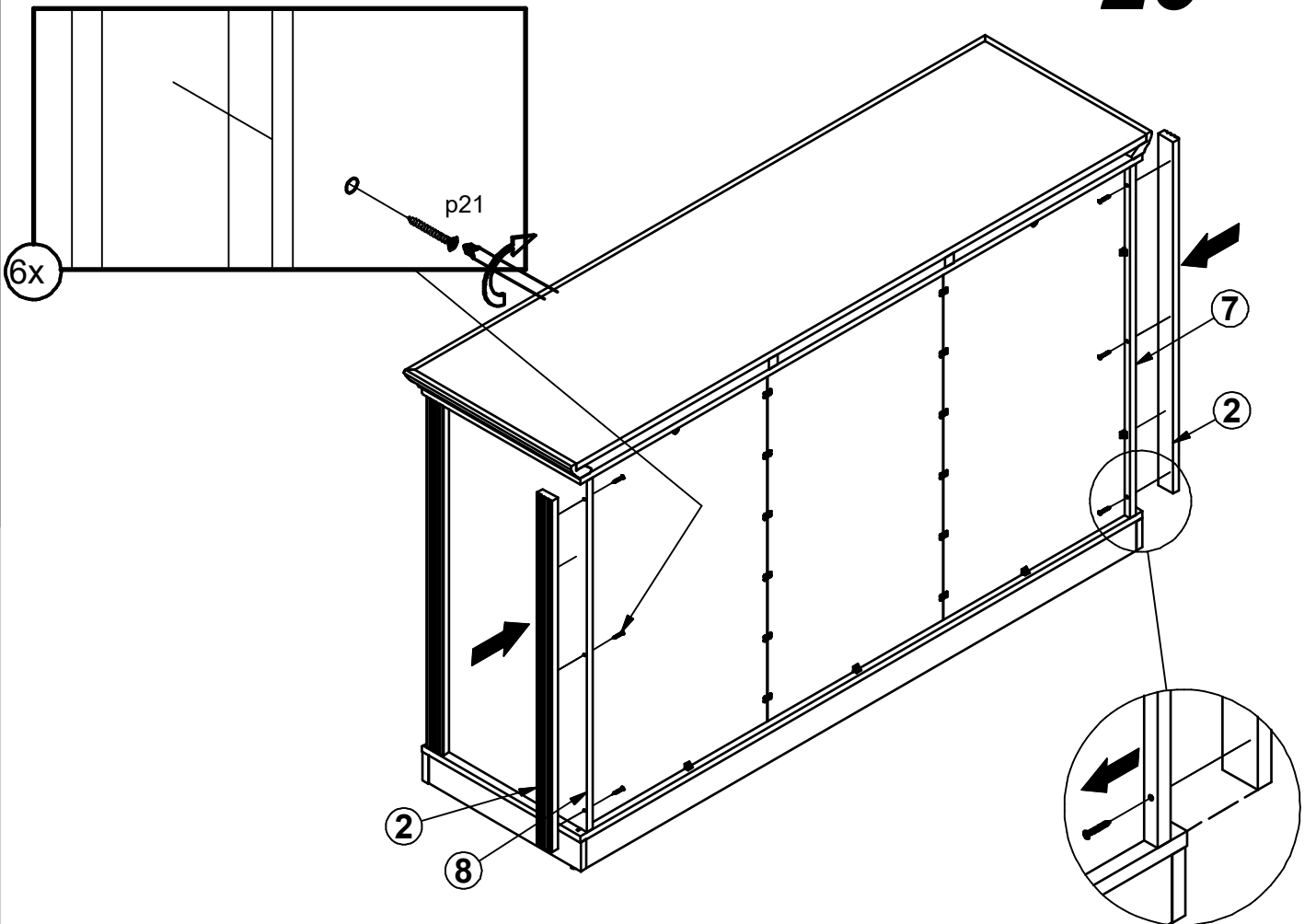


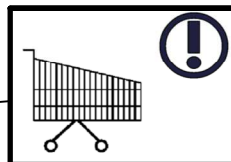
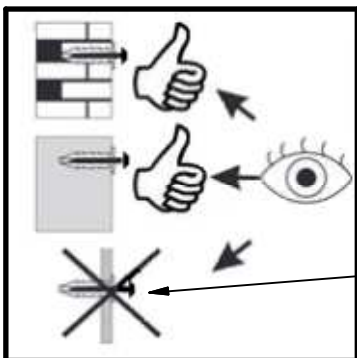
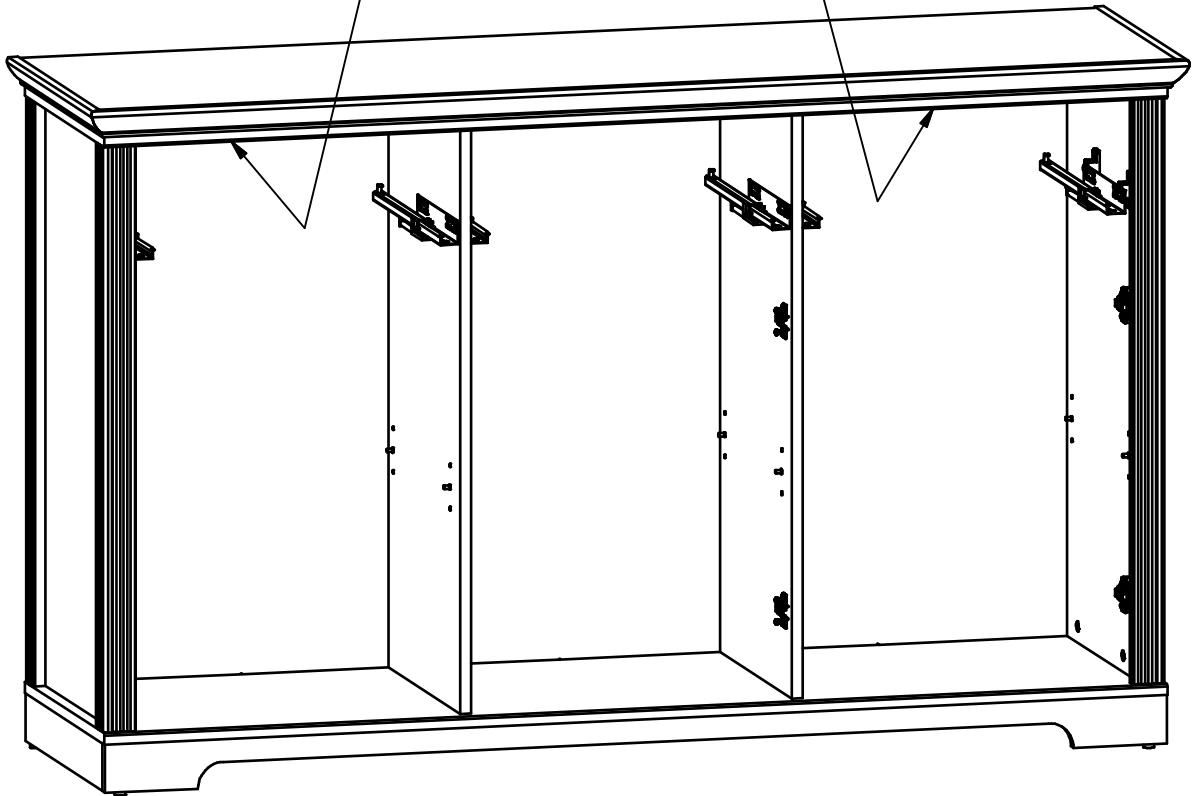
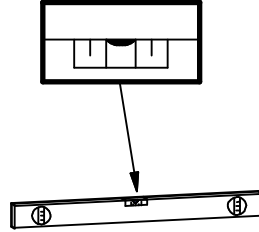
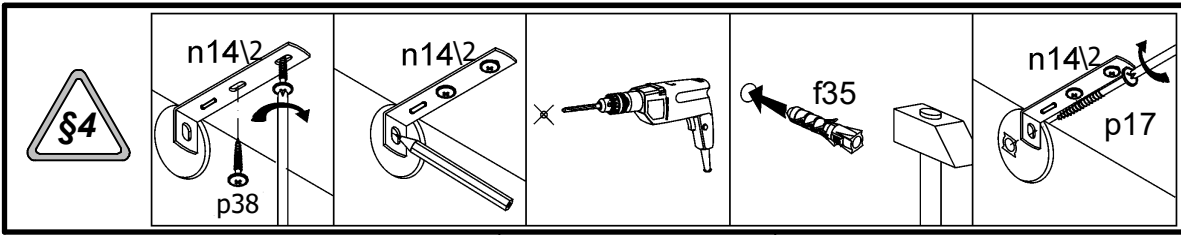



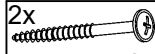

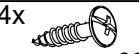
19

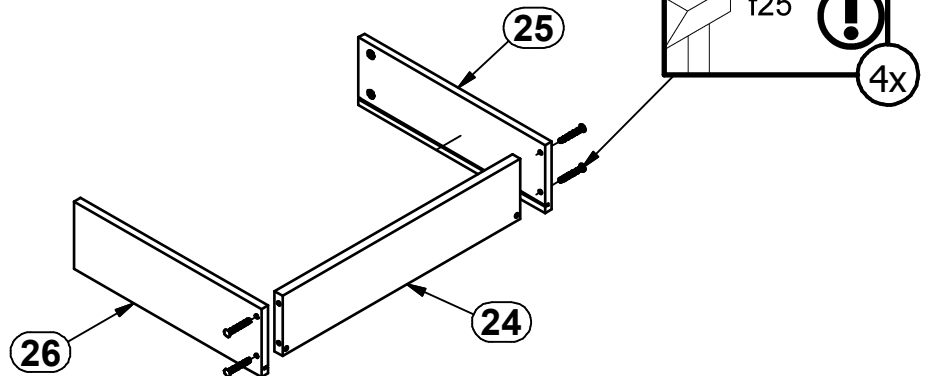
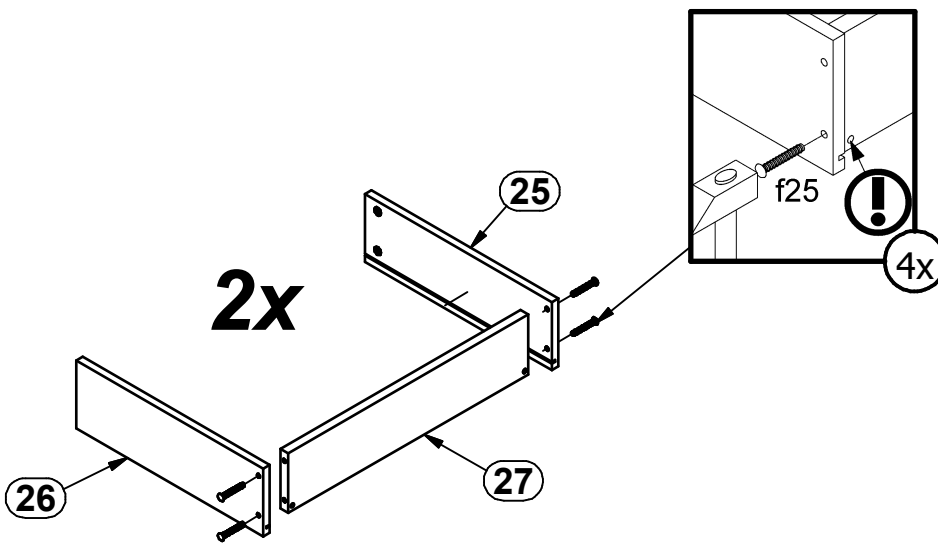
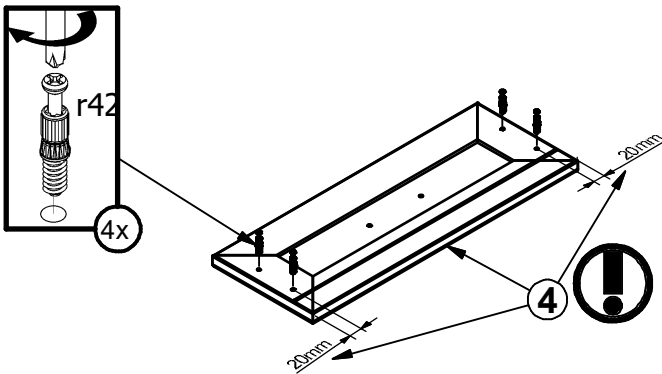
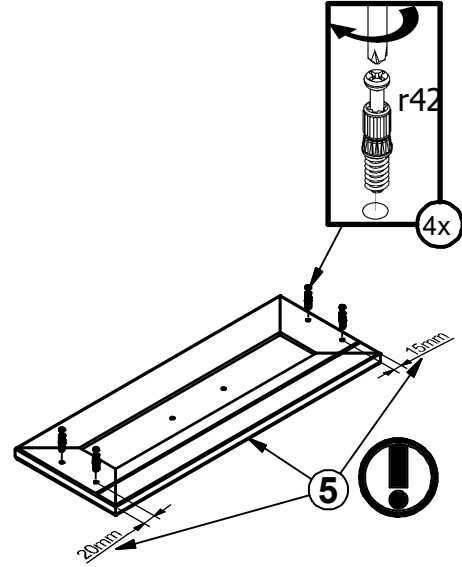
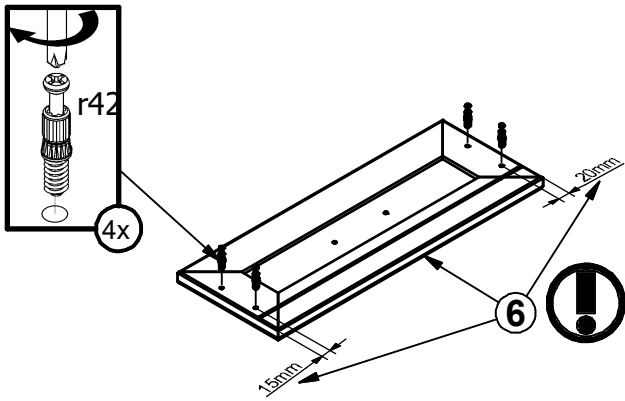


20

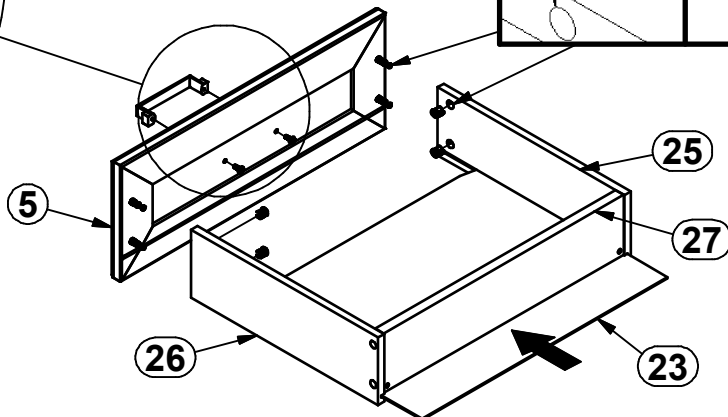
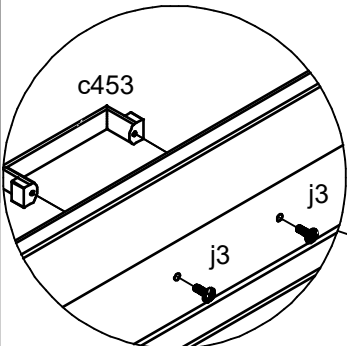
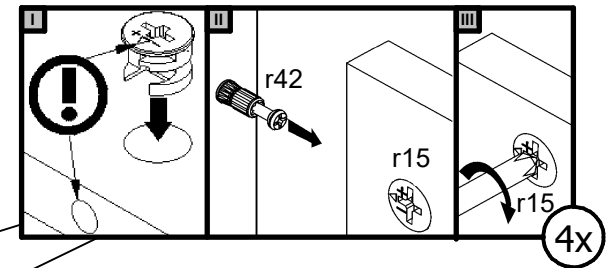
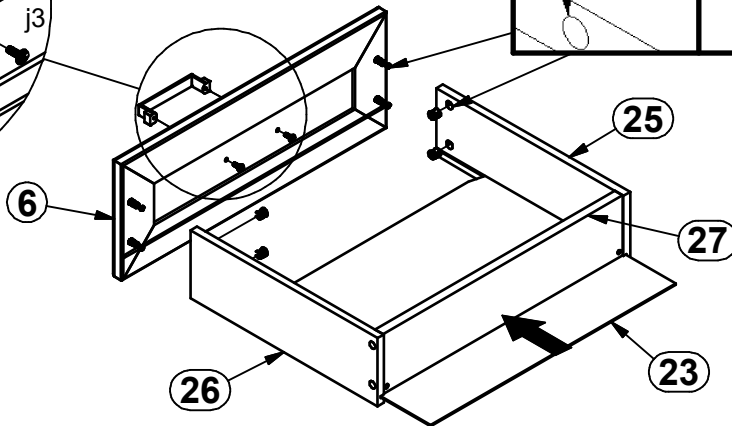
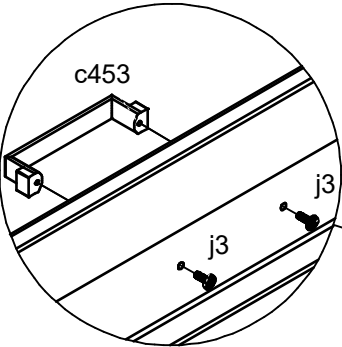
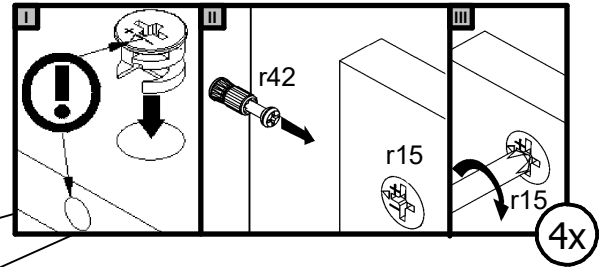
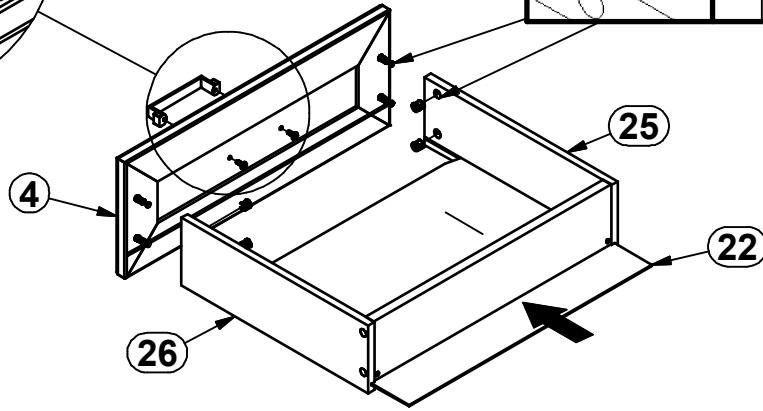
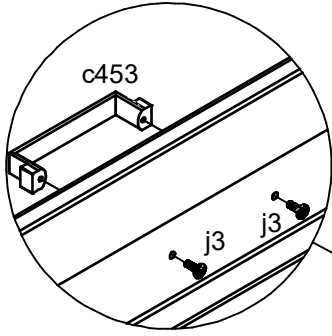
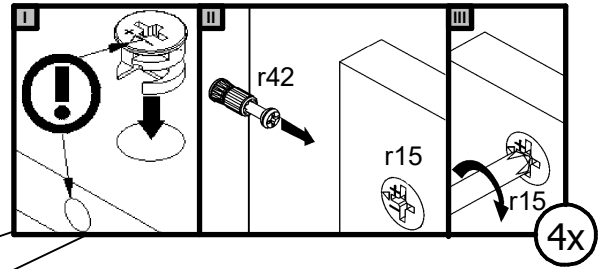




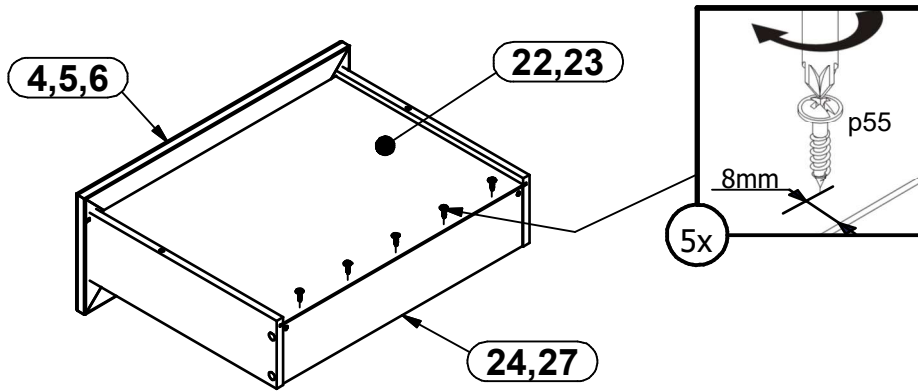
- 
 2x
 Ø10x50 mm **f35**
- 
 2x
 Ø5x60 mm **p17**
- 
 2x
 86x21x151,5 **n14|2**
- 
 4x
 Ø3,5x16 mm **p38**



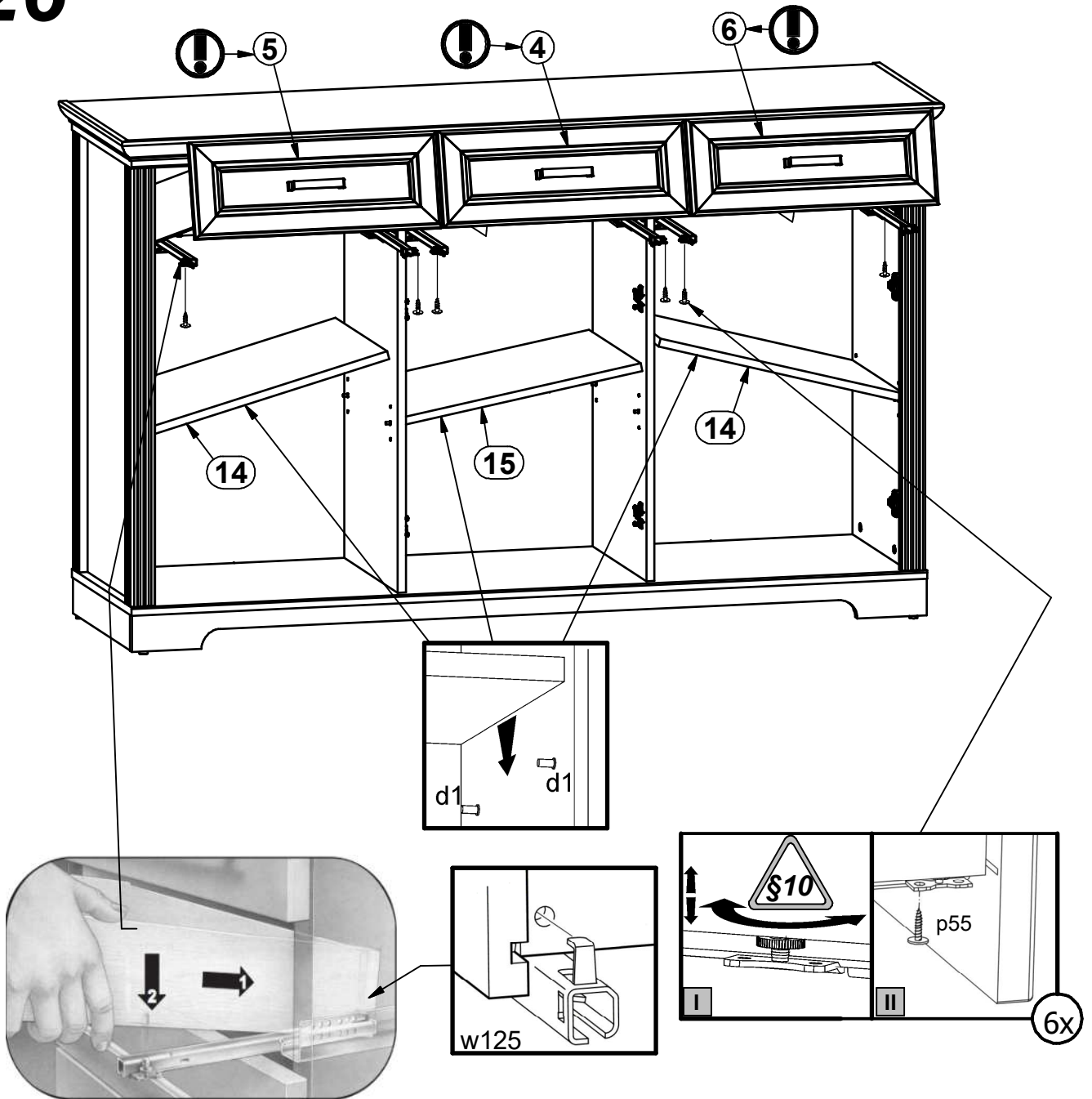
24



25



26



27

