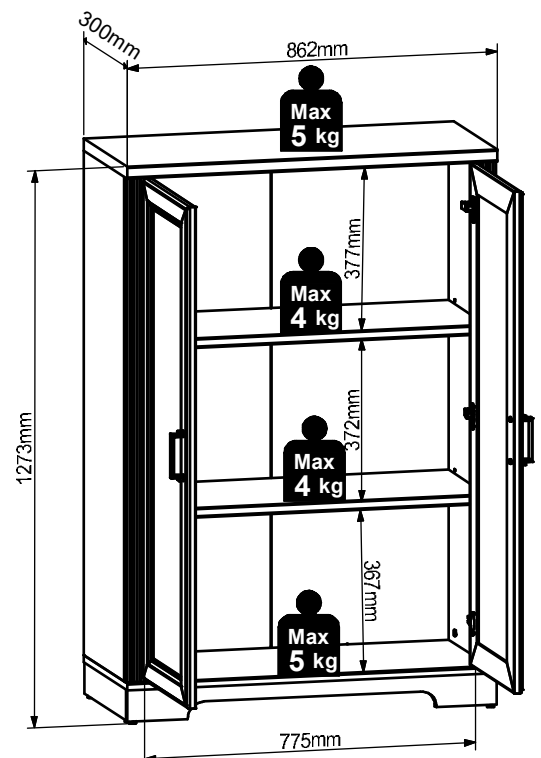
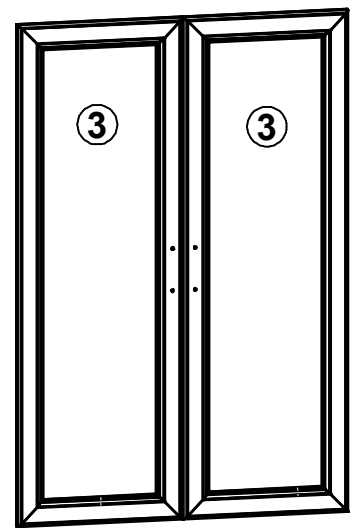
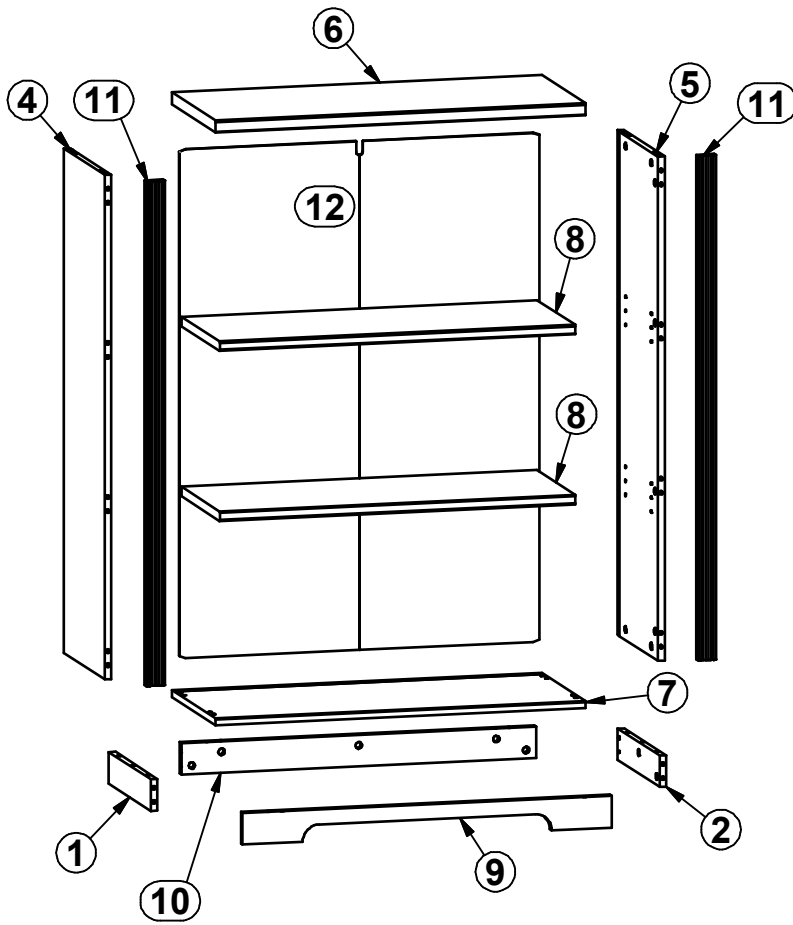
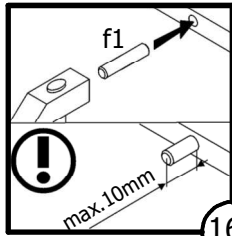


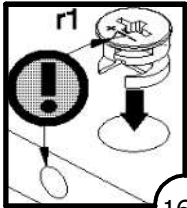
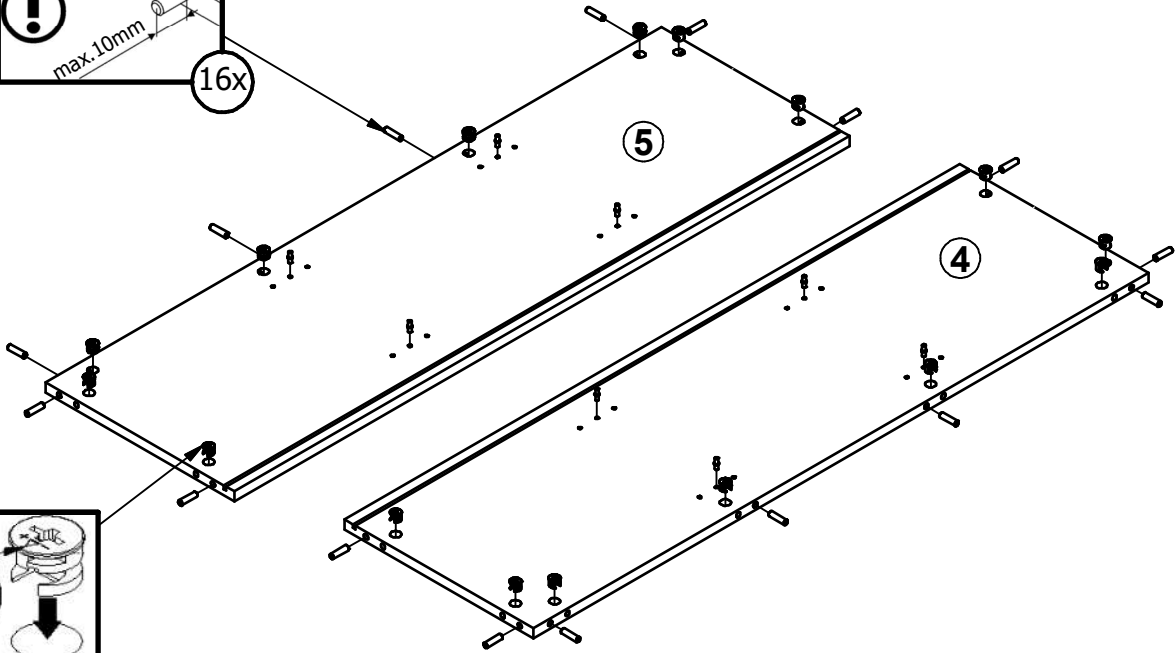
A	B	C1	C2	C3	D
1	M261-4102	363	72	16	1/2
2	M261-4103	363	72	16	1/2
3	S530-0005	1146	383	22	2/2
4	S530-1014	1152	353	16	1/2
5	S530-1015	1152	353	16	1/2
6	S530-2001	862	380	28	2/2
7	S530-2002	862	380	16	2/2
8	S530-3005	828	333	22	1/2
9	S530-4101	860	72	16	1/2
10	S530-4102	826	72	16	1/2
11	S530-5003	1152	43	19	2/2
12	S530-9302	1162	839	2.5	1/2



1

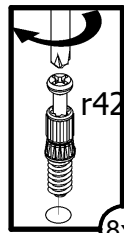


16x



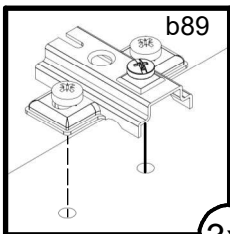
16x

2

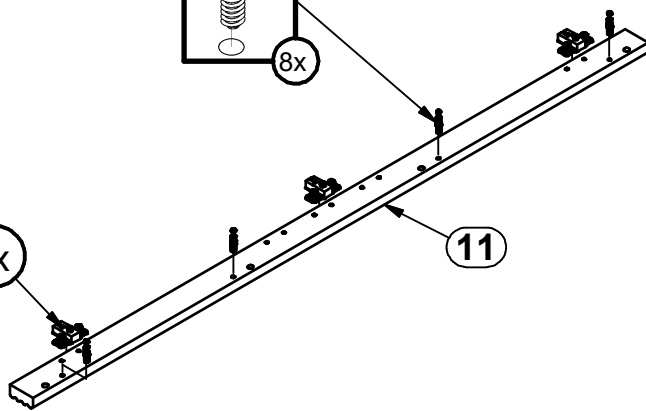


8x

2x

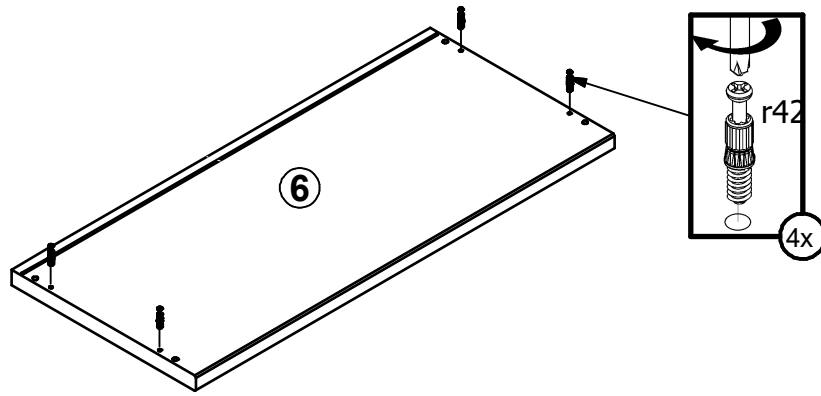


3x

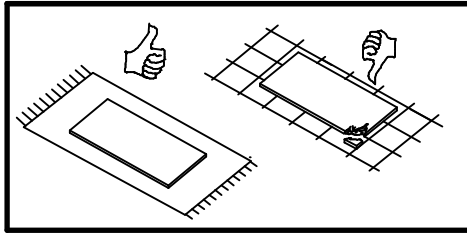


11

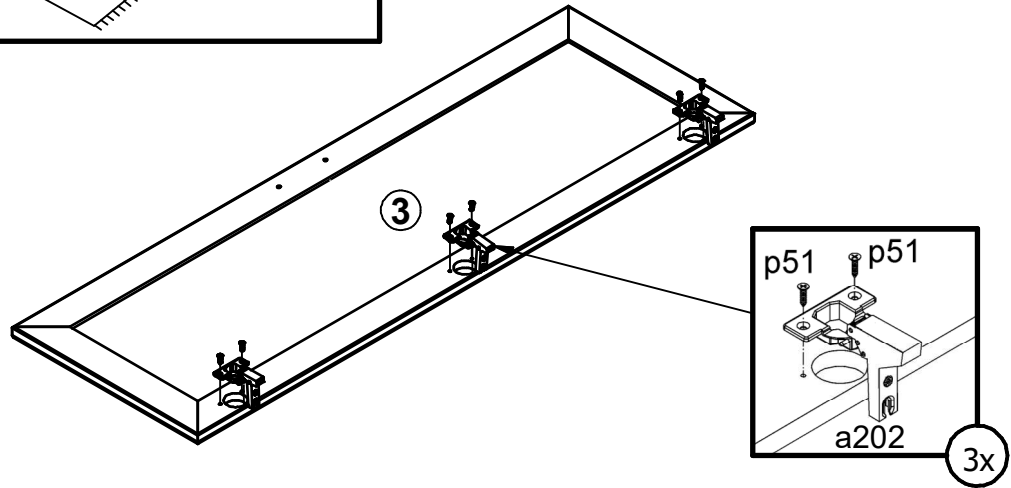
3



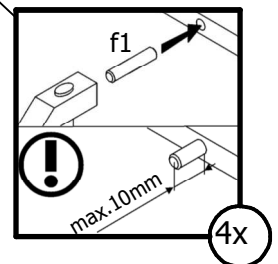
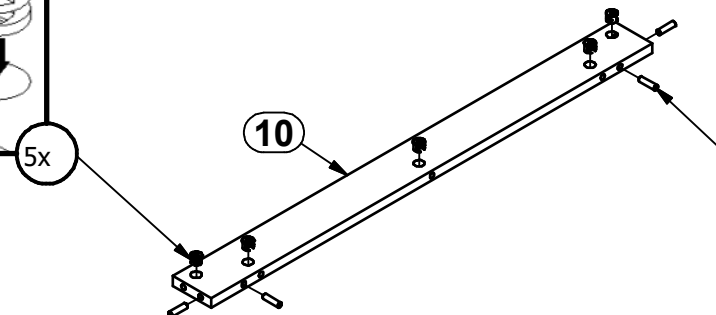
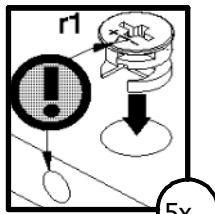
4



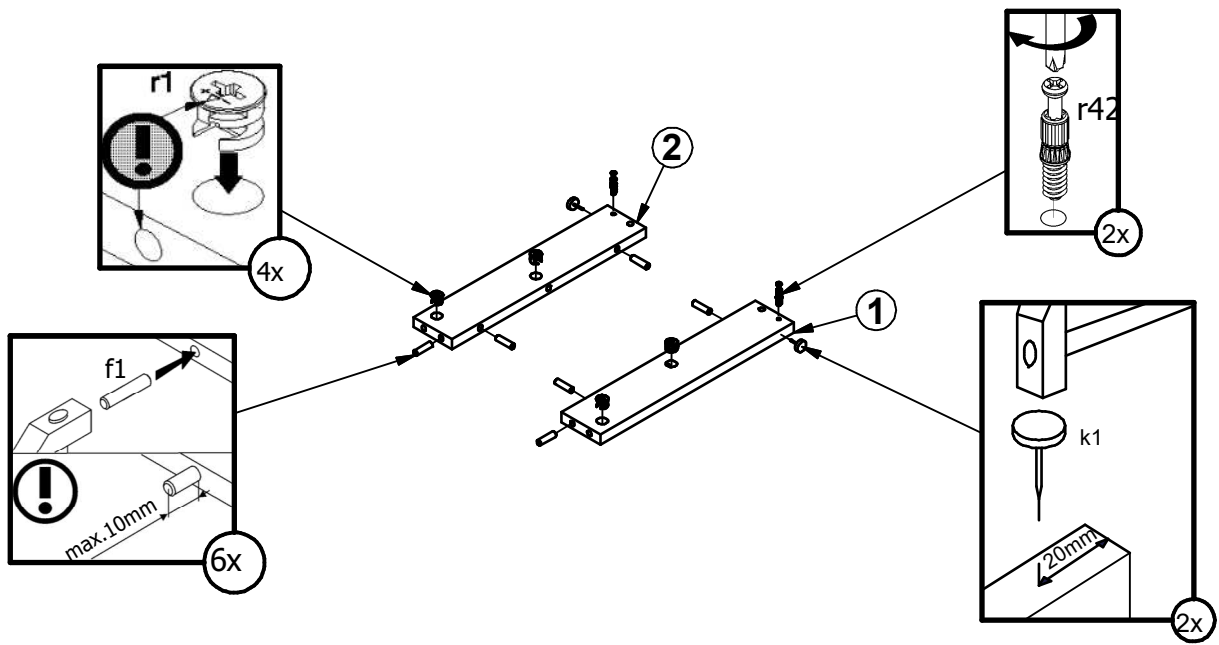
2x



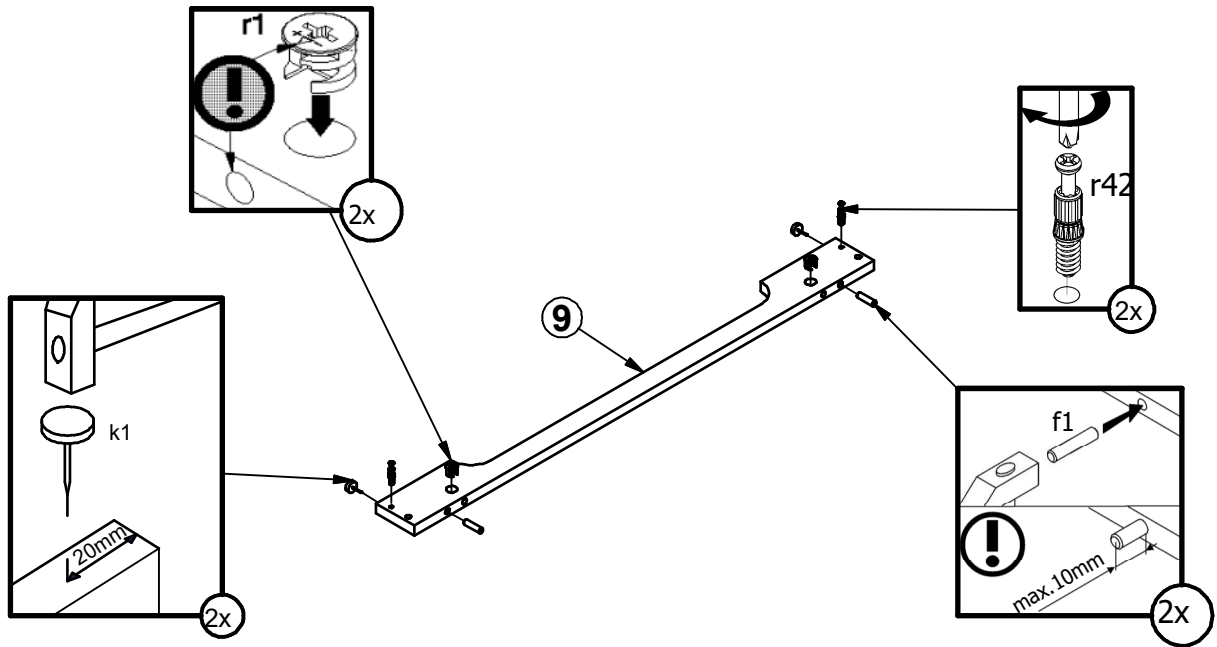
5



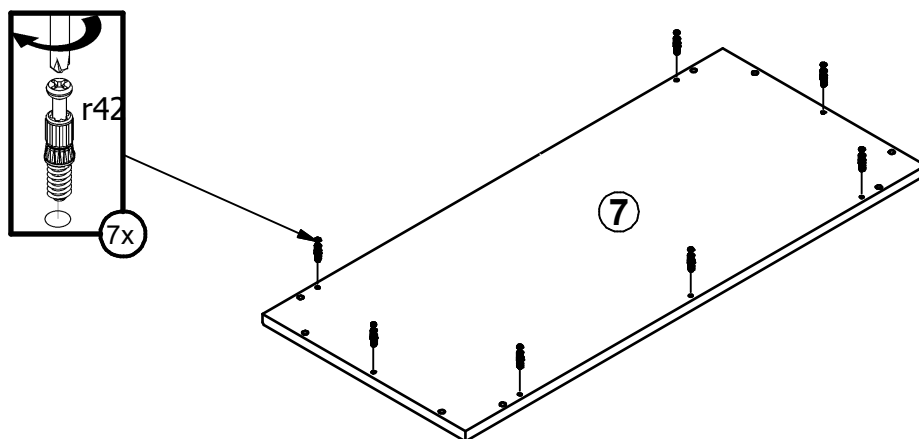
6



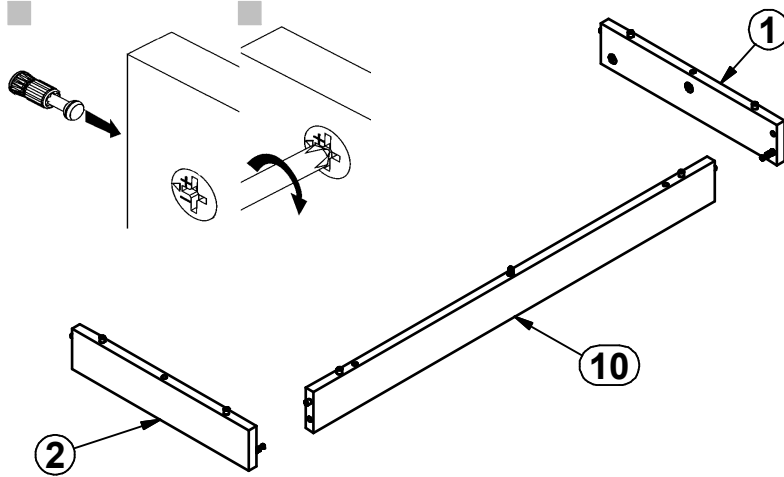
7



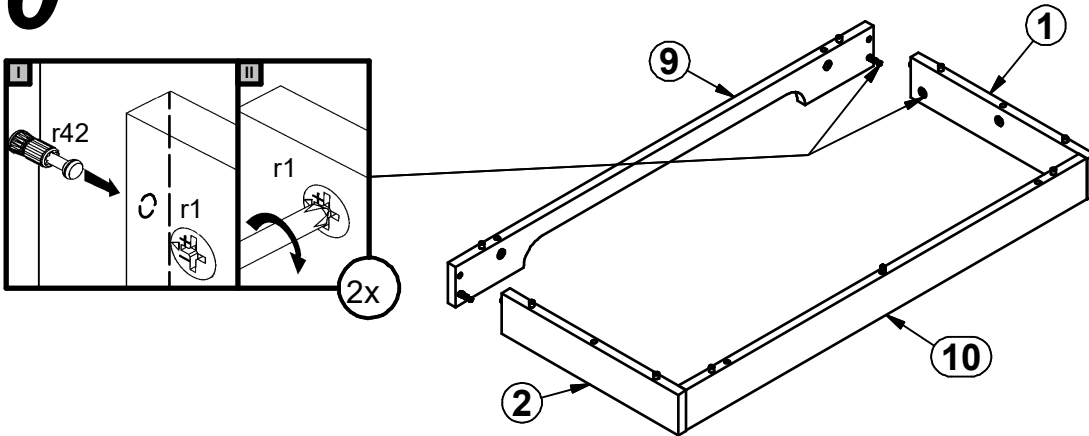
8



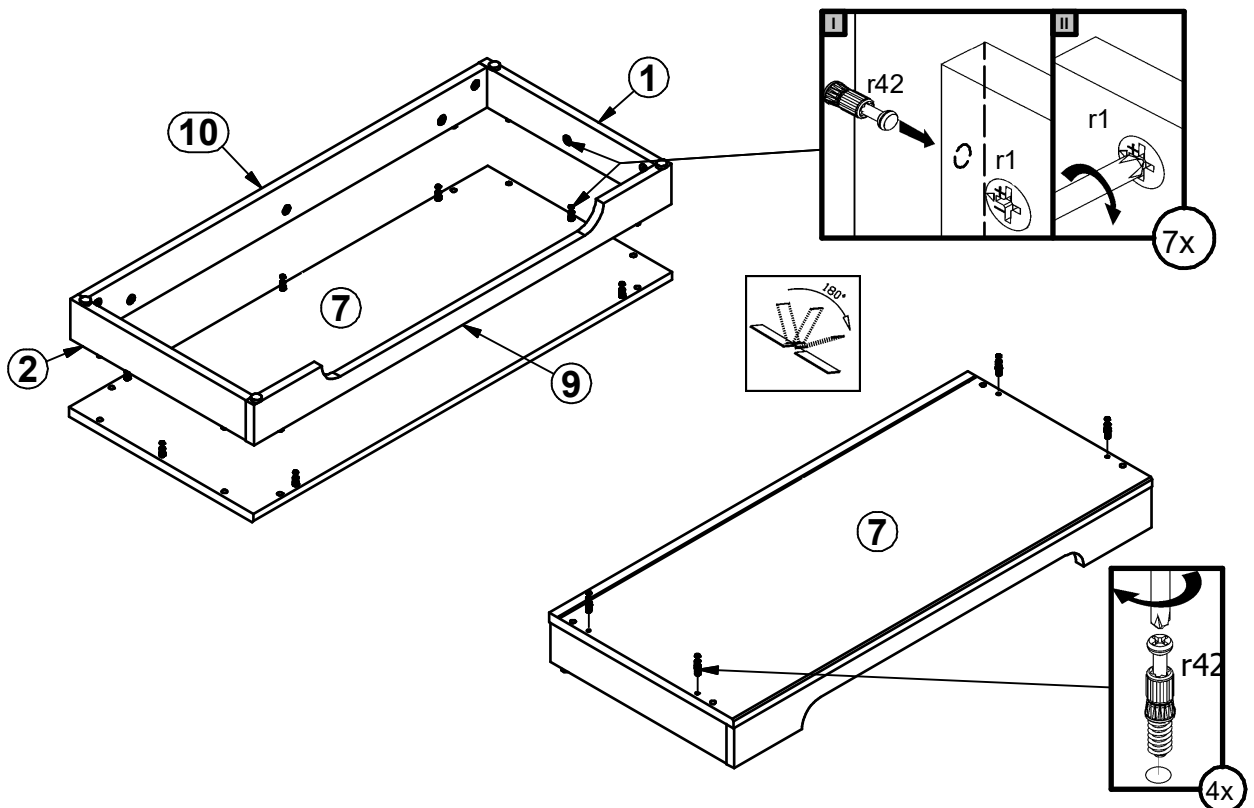
9



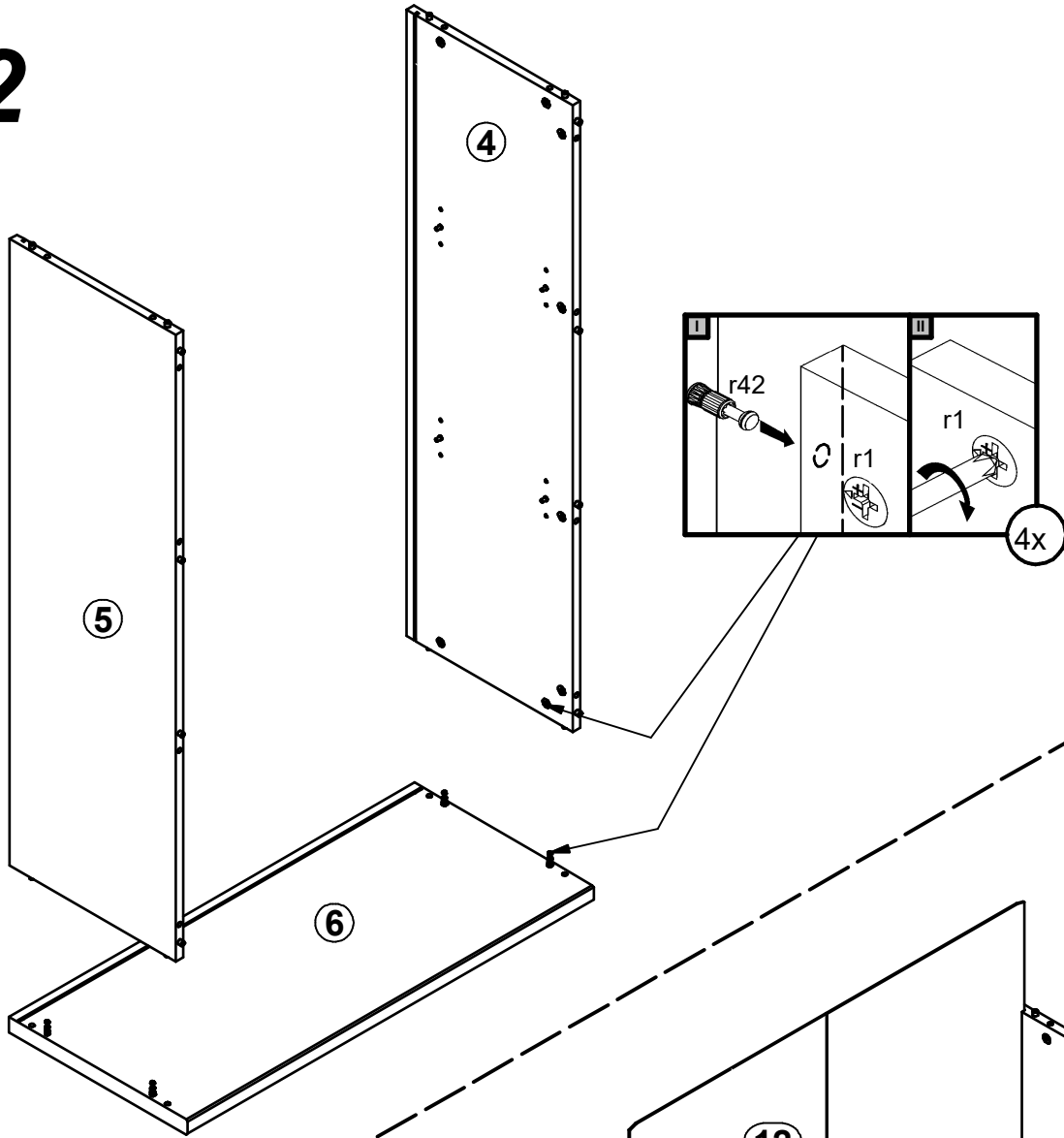
10



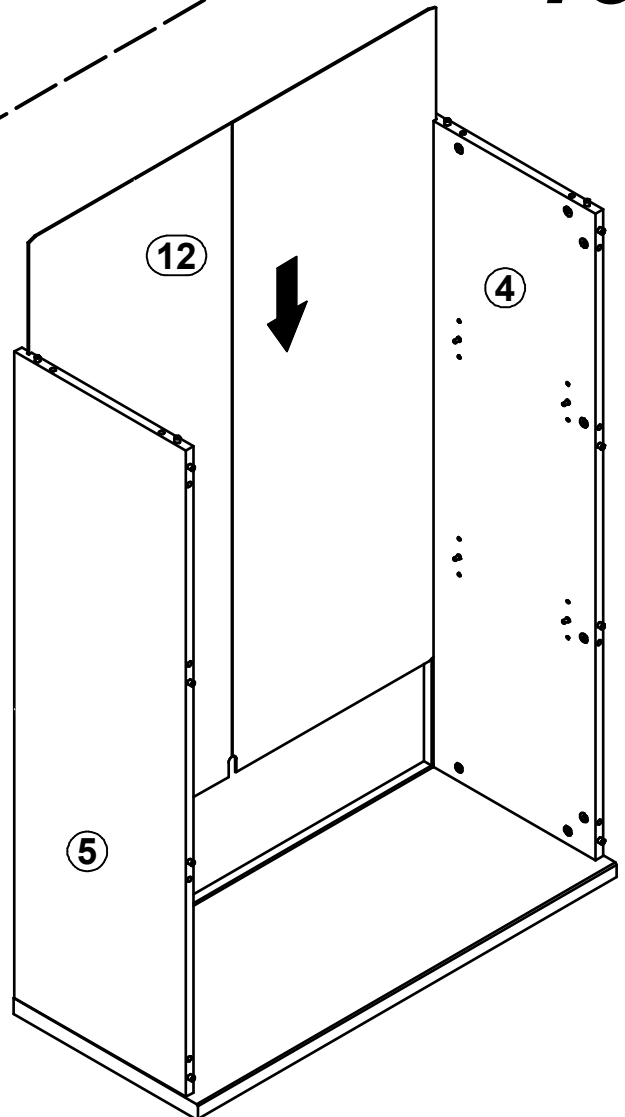
11



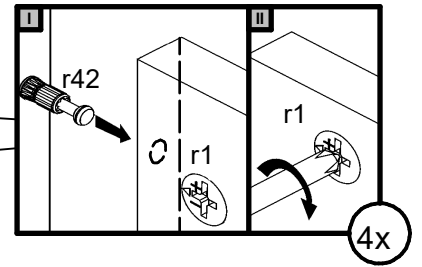
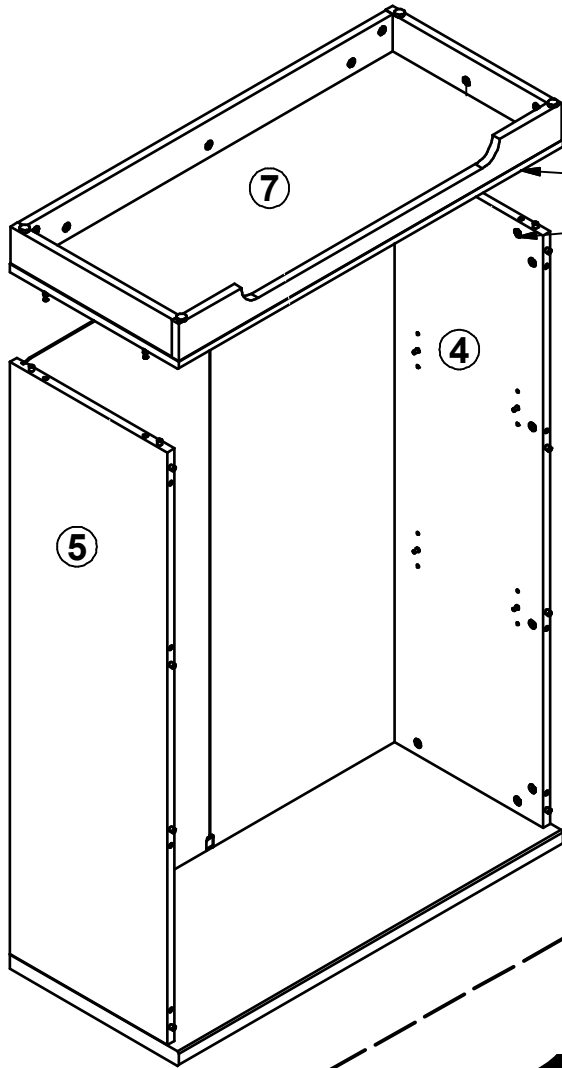
12



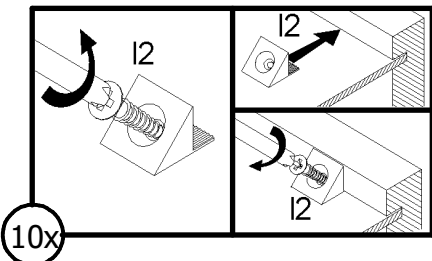
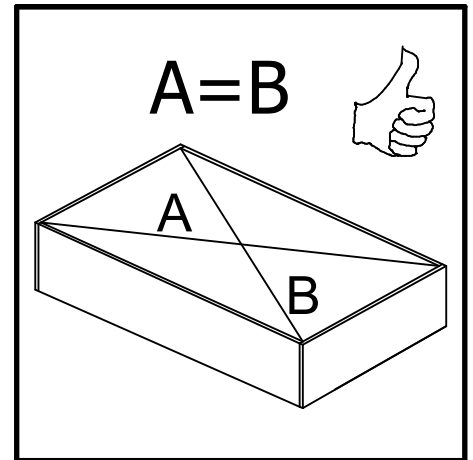
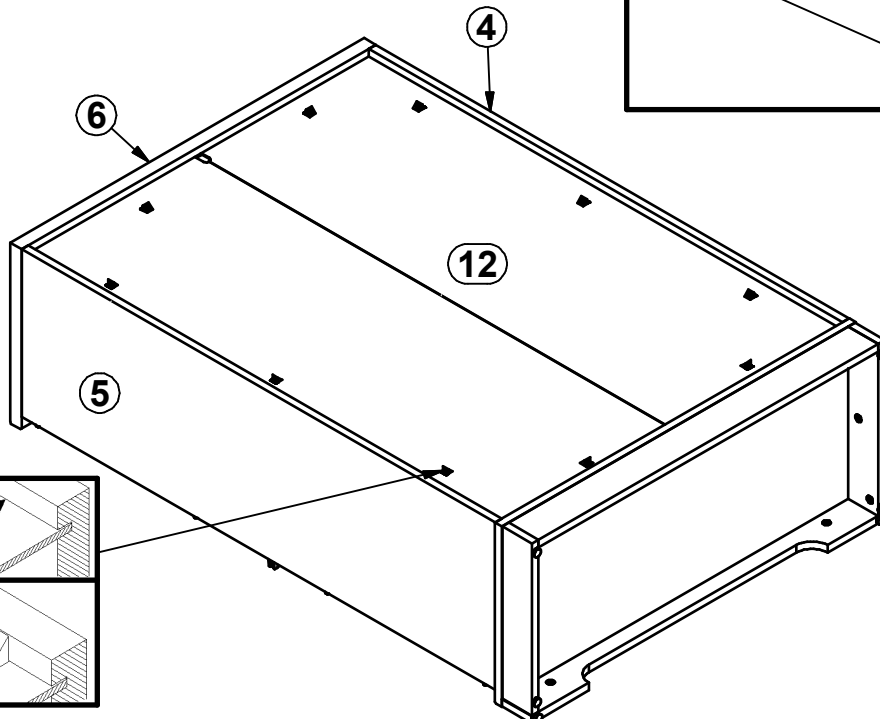
13



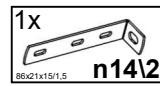
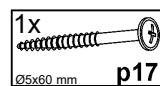
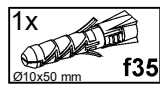
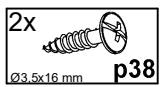
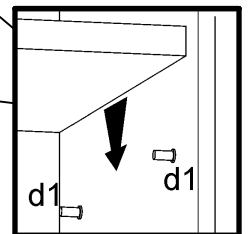
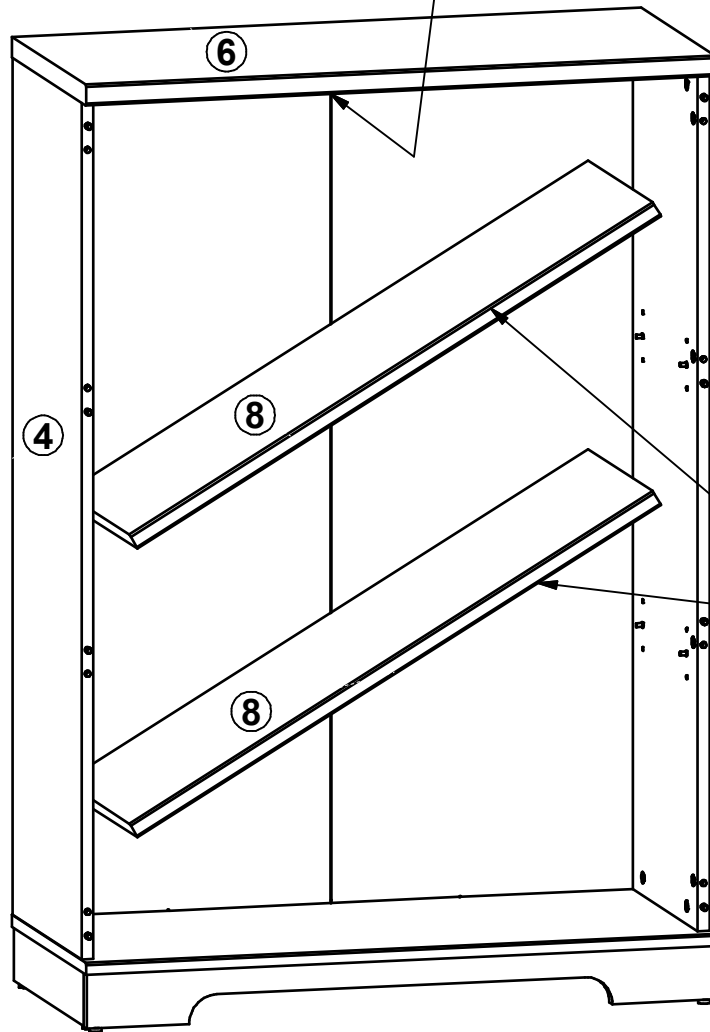
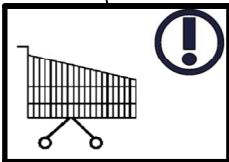
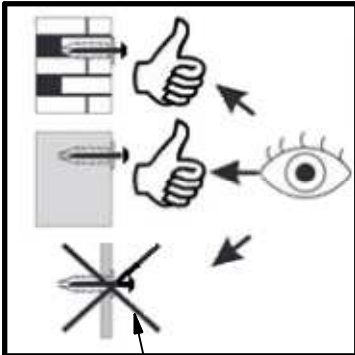
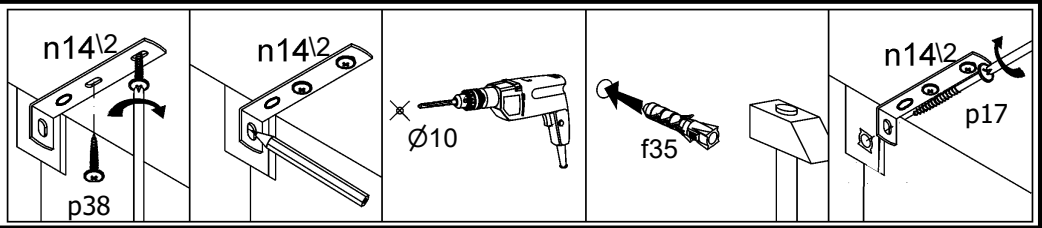
14



15



16



17

