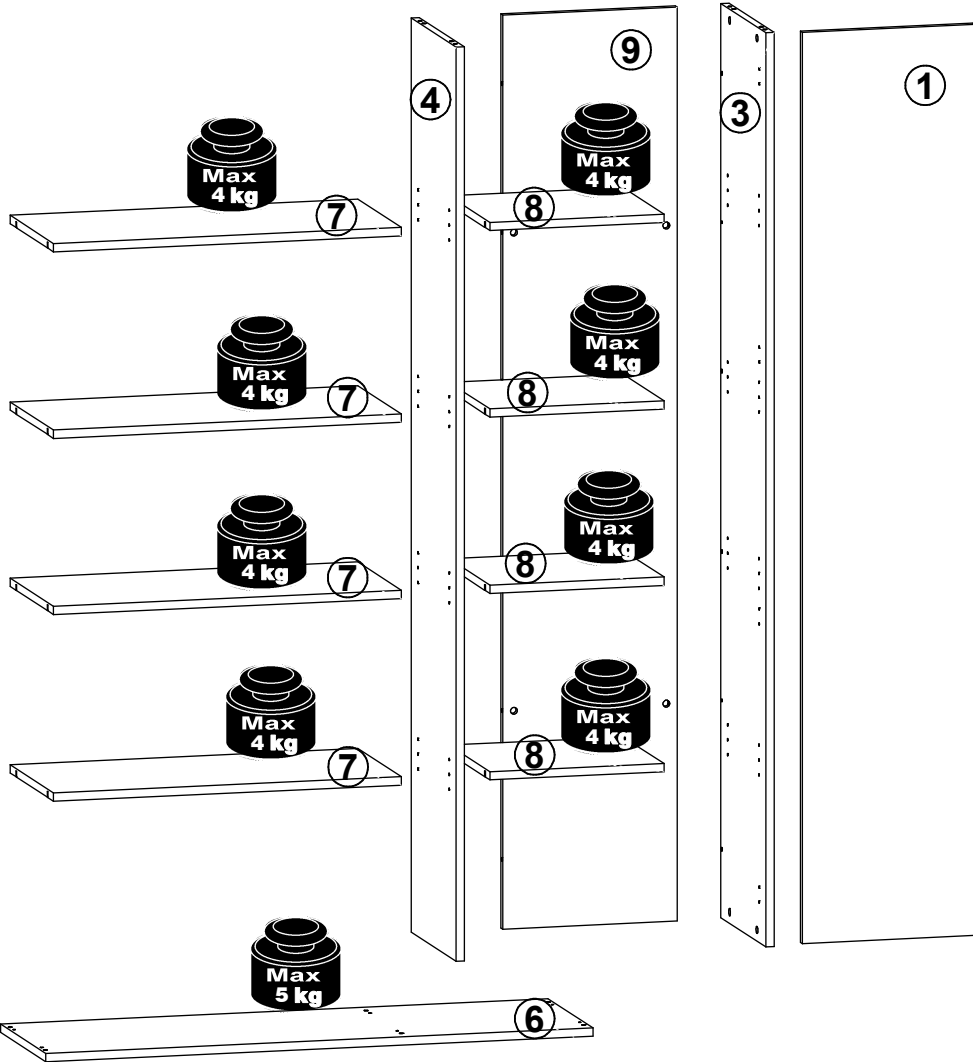
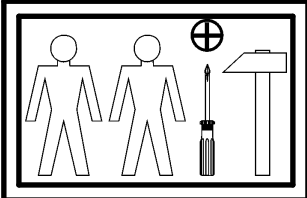
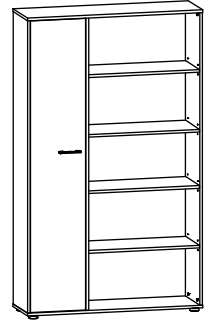
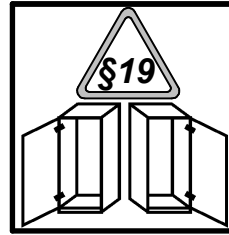
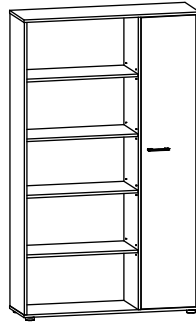


**A**

# OFFICE SPACE

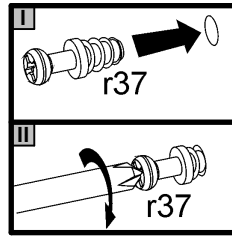
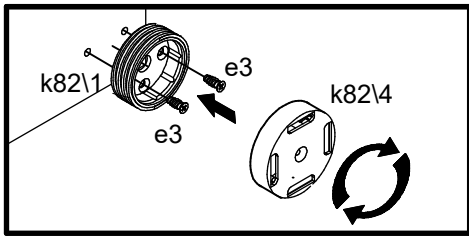
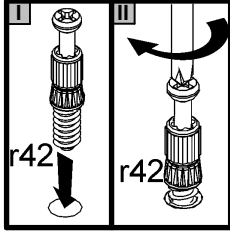
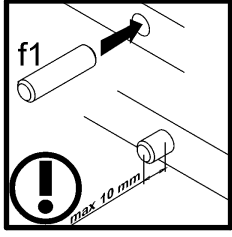
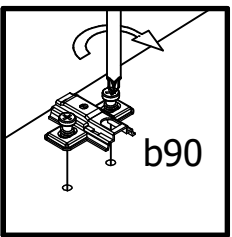
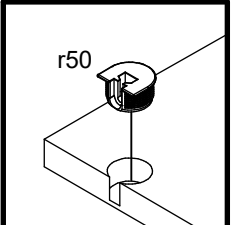
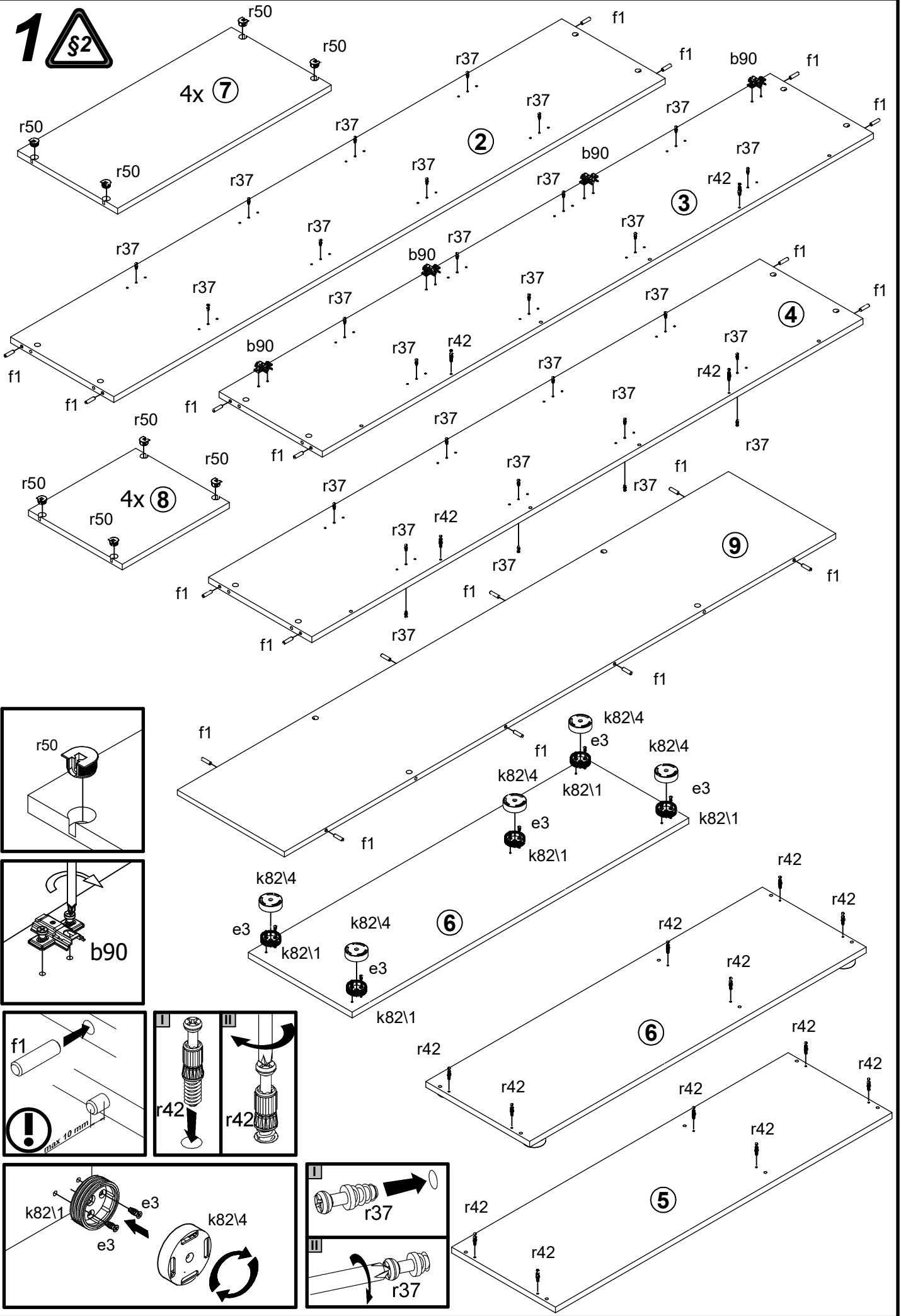
**S479-REG1D/200**

A	B	C	D
1	S479-0003	1959	377 2/3
2	S479-1009	1965	368 3/3
3	S479-1010	1965	368 3/3
4	S479-1011	1965	368 3/3
5	S479-2007	1200	370 1/3
6	S479-2008	1200	370 1/3
7	S479-3005	762	356 1/3
8	S479-3006	382	334 1/3
9	S479-4001	1965	382 2/3

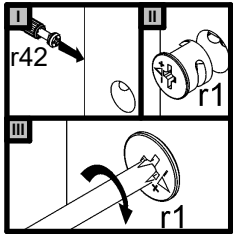
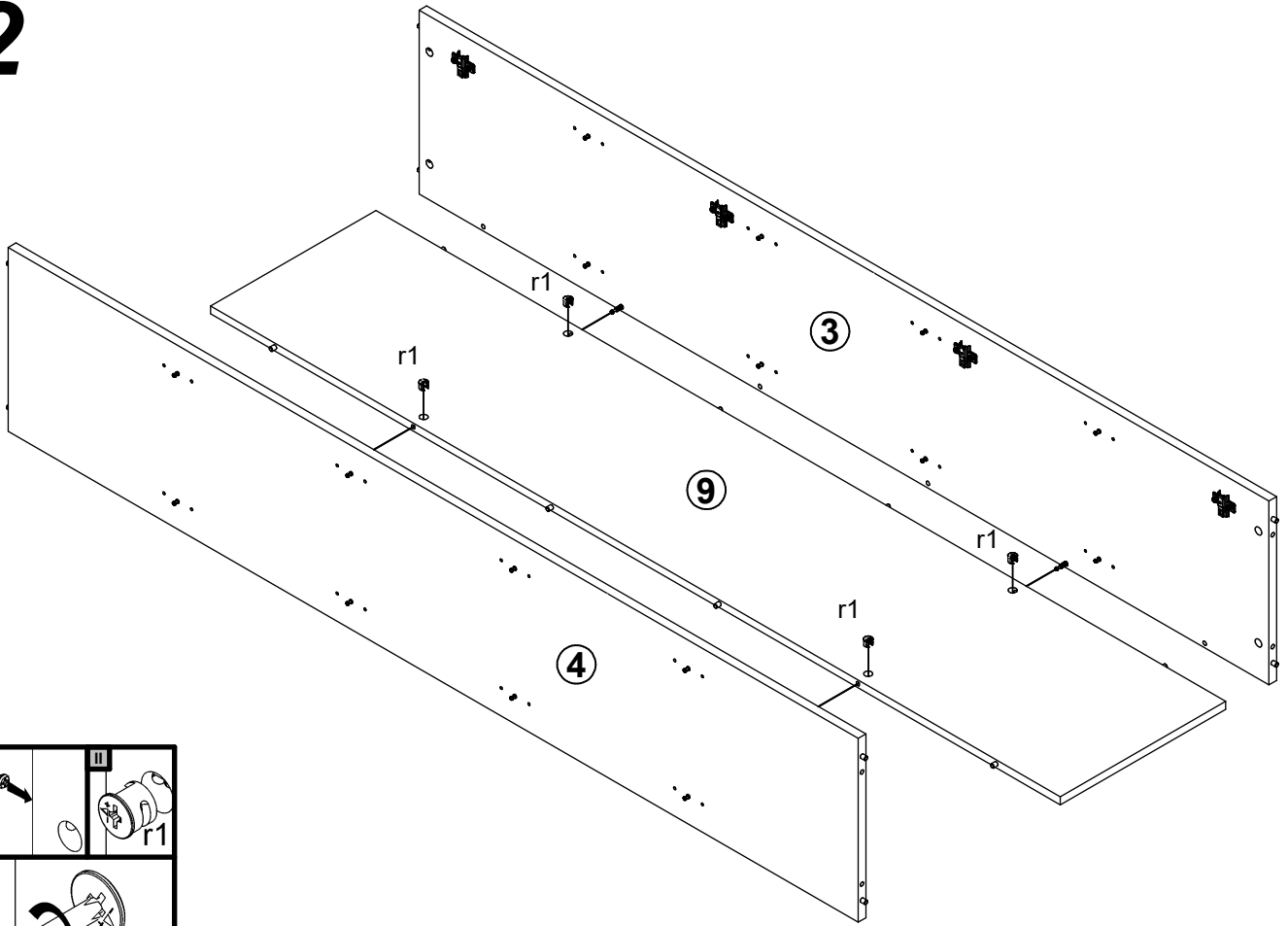


2x hamulec a203	2x a210	4x b90	1x 128mm c280	10x Ø6x13 mm e3	20x Ø8x30 mm f1	2x M4x22 mm j30	5x Ø51 mm k821/1	5x Ø58,6x52 118 mm k821/4
8x Ø3,5x15 mm p51	16x Ø15x12 mm #16 r1	32x 6,7/7,8 r37	16x 20/11 r42	32x r50	16x Ø 20mm s68	2x 80x21x15/1,5 n14/2	4x Ø3,5x16 mm p38	2x Ø10x50 mm f35
2x Ø5x60 mm p17								

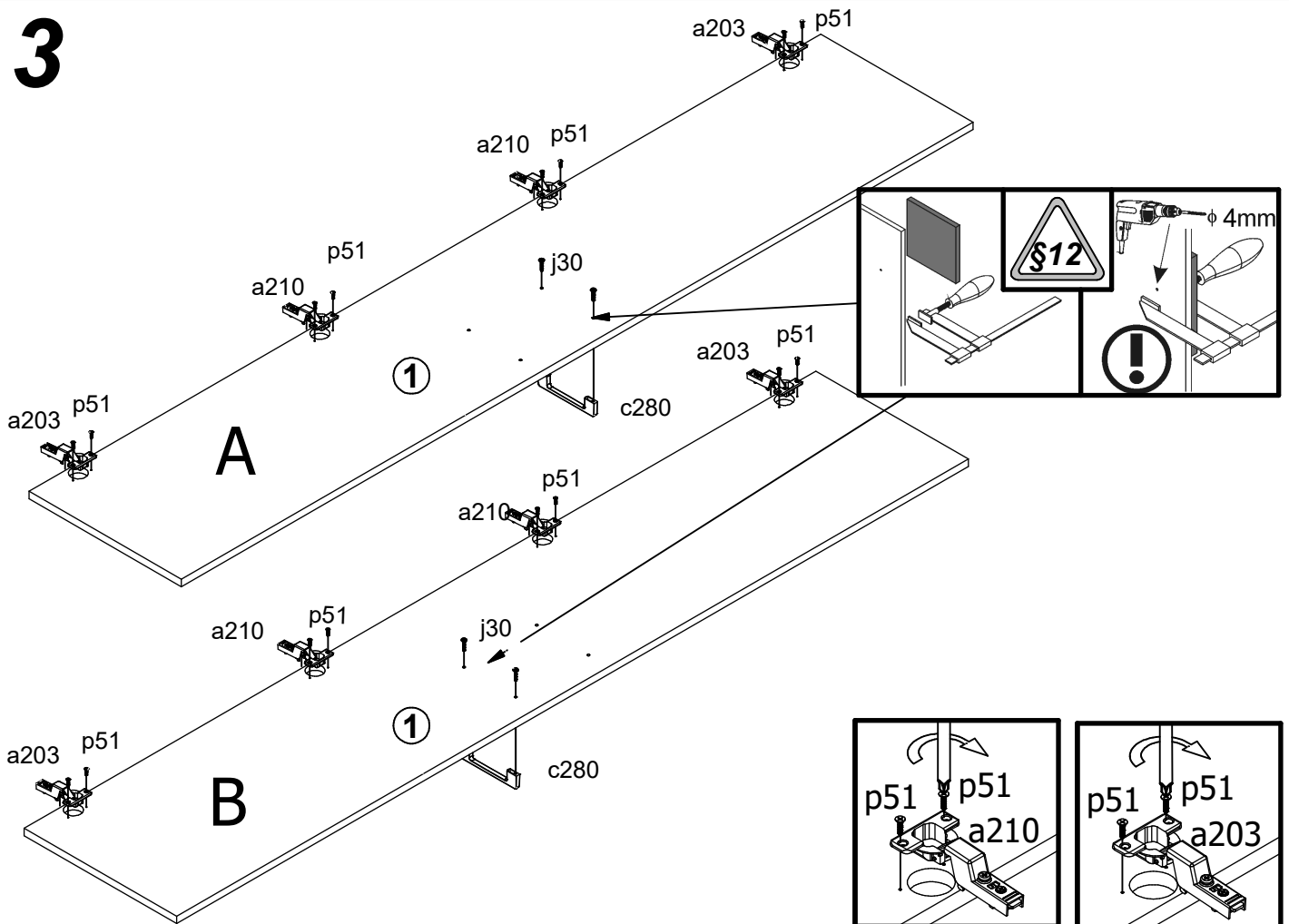
1 



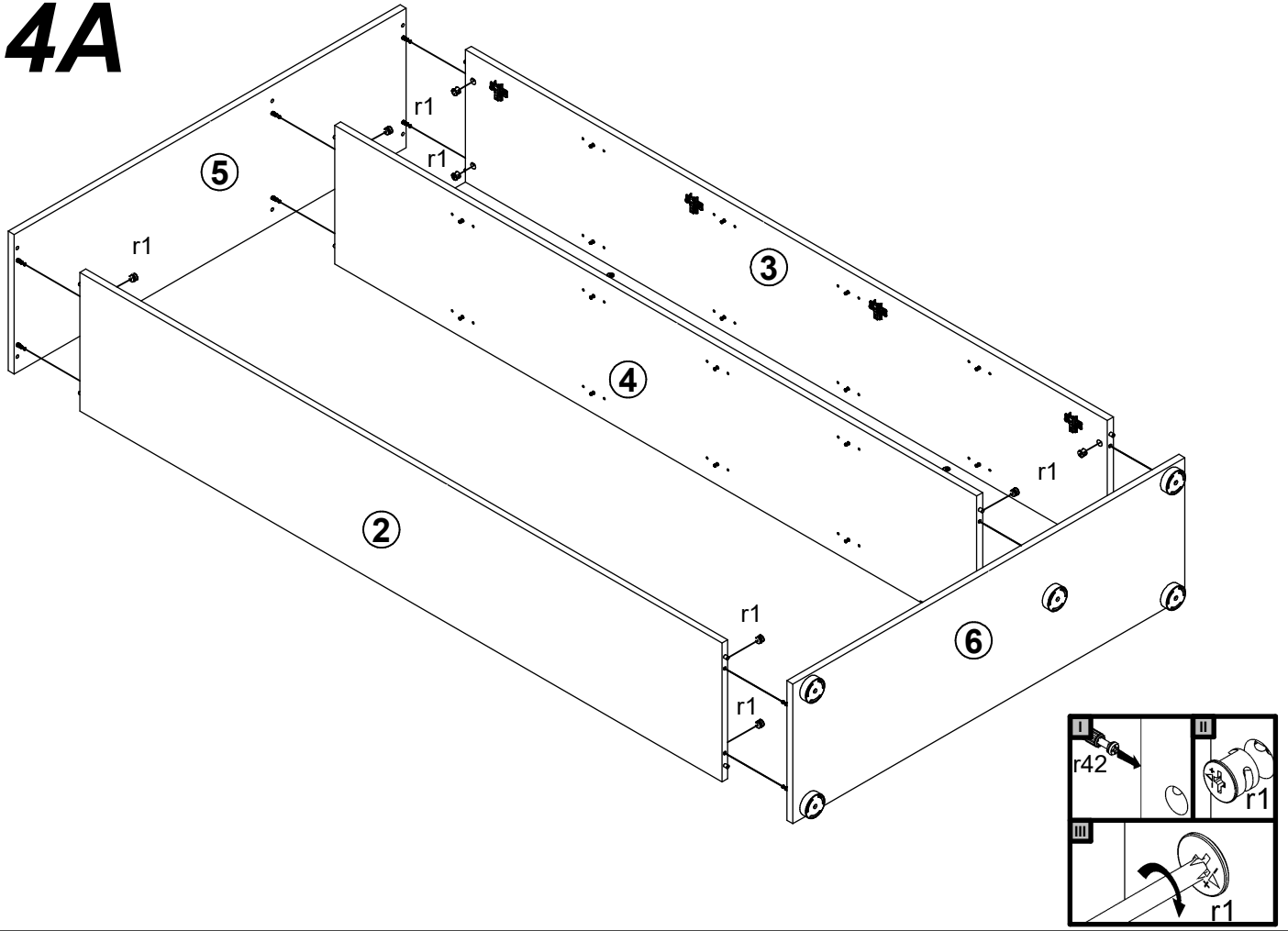
# 2



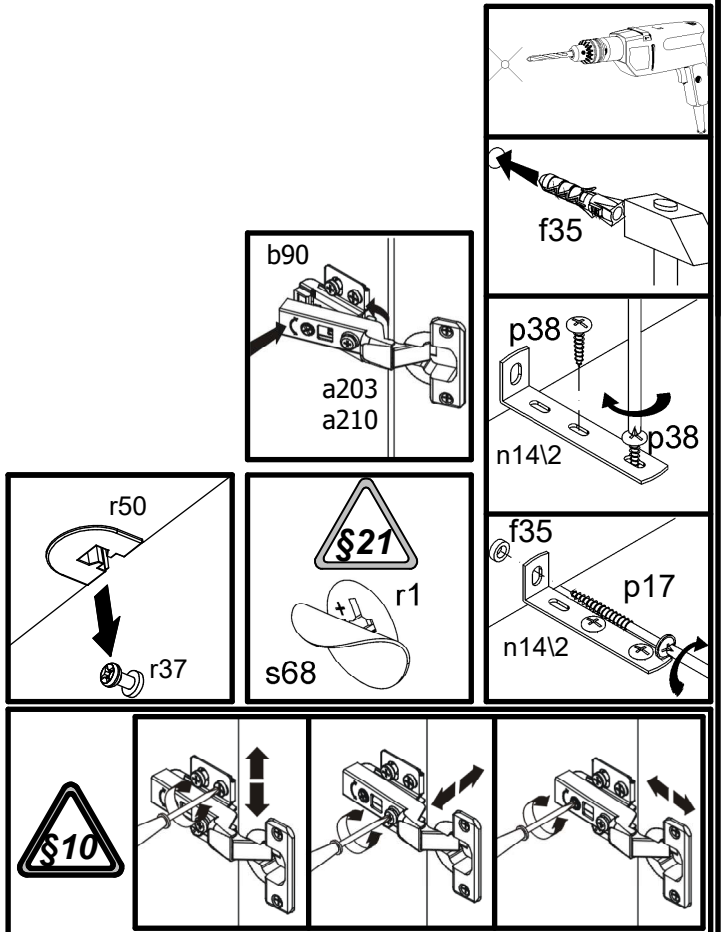
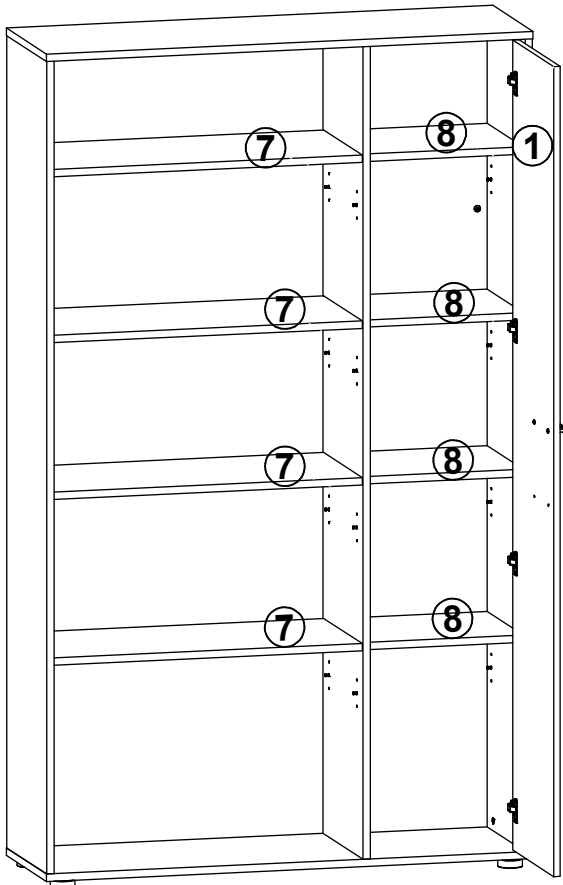
# 3



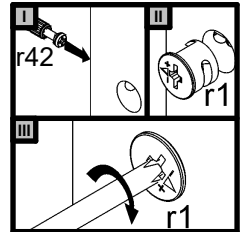
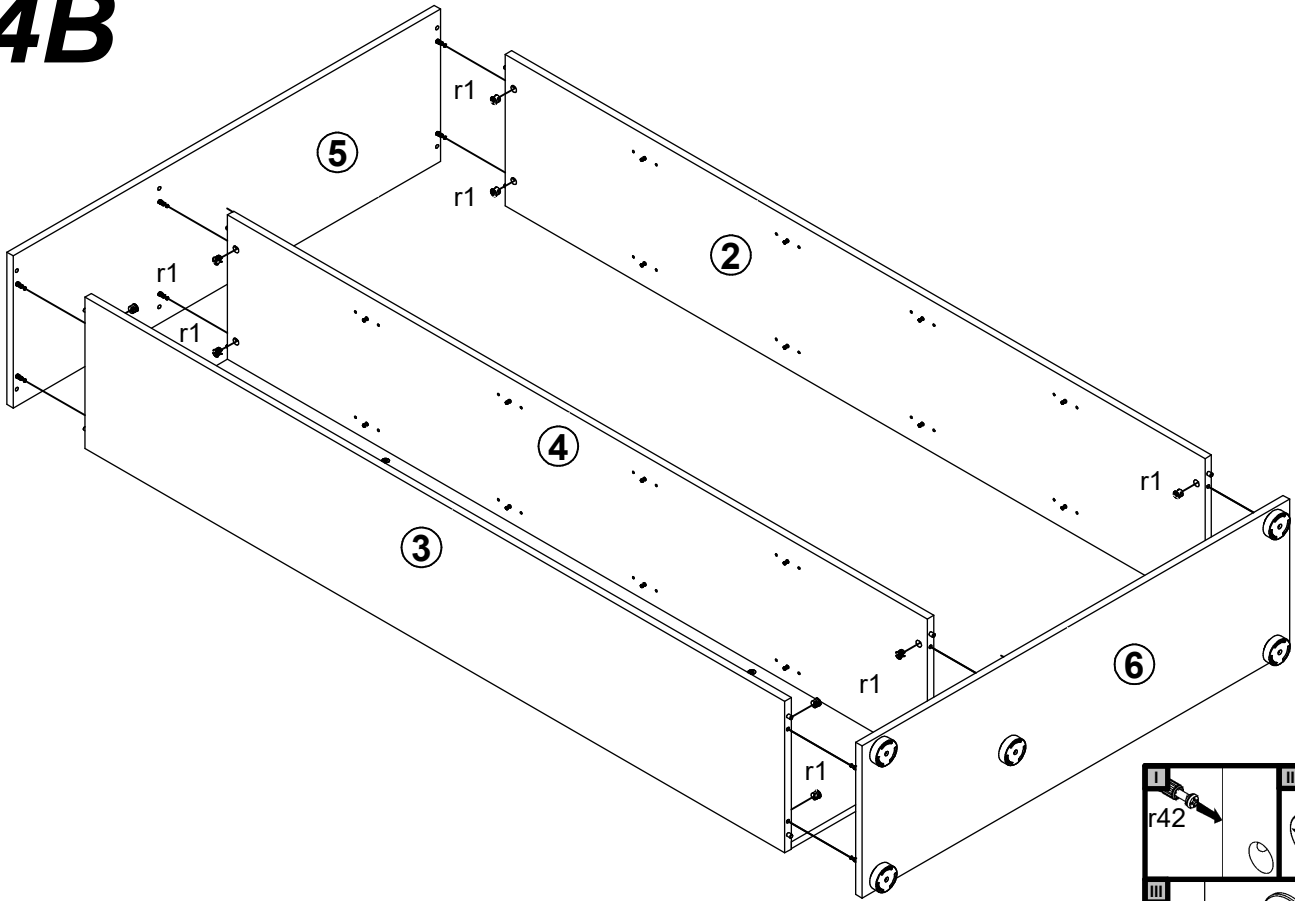
# 4A



# 5A



# 4B



# 5B

