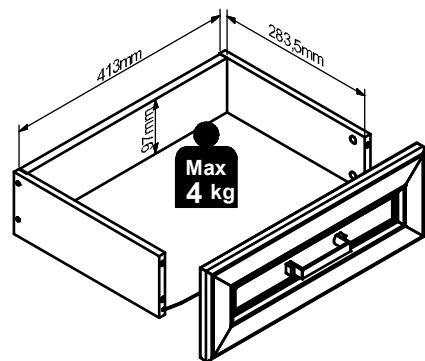
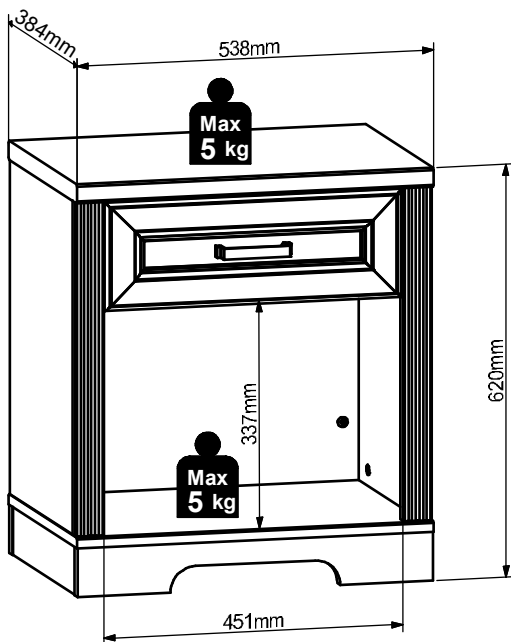
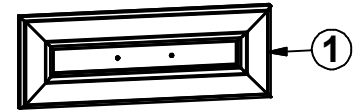
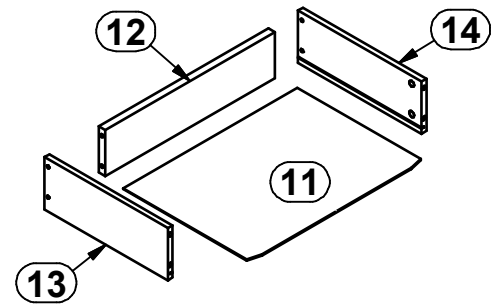
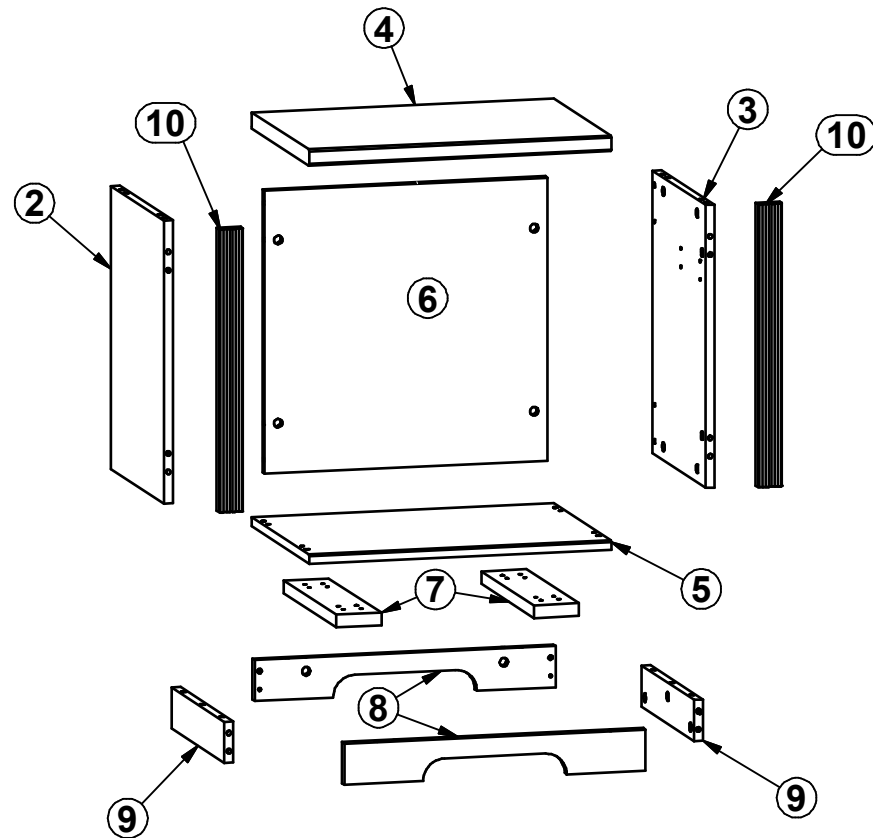




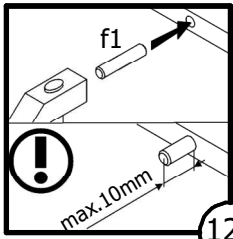
| | | | | |
|---------------------|------------------------|-------------------------|----------------------------|------------------------------|
| 1x c453 | 12x Ø6x13 mm e3 | 28x Ø8x30 mm f1 | 4x Ø6,5x40 mm f25 | 2x M4x12 mm j3 |
| 4x k13 2 | 16x Ø4x35 mm p26 | 6x Ø2,9x16 mm p55 | 26x Ø15x12 mm #16 r1 | 4x Ø12x10,5 mm #12 r15 |
| 30x 20x11 r42 | 1x 300mm w125L | 1x 300mm w125P | 4x w267 | 8x Ø 20mm s68 |

| A | B | C1 | C2 | C3 | D |
|----|-----------|-----|-----|-----|-----|
| 1 | S530-0006 | 446 | 160 | 22 | 1/1 |
| 2 | S530-1010 | 494 | 353 | 16 | 1/1 |
| 3 | S530-1011 | 494 | 353 | 16 | 1/1 |
| 4 | S530-2005 | 538 | 384 | 28 | 1/1 |
| 5 | S530-2006 | 538 | 384 | 16 | 1/1 |
| 6 | S530-4003 | 494 | 504 | 16 | 1/1 |
| 7 | S530-4004 | 350 | 80 | 22 | 1/1 |
| 8 | S530-4107 | 536 | 72 | 16 | 1/1 |
| 9 | S530-4108 | 351 | 72 | 16 | 1/1 |
| 10 | S530-5005 | 494 | 43 | 19 | 1/1 |
| 11 | WSP-9401 | 423 | 308 | 2,5 | 1/1 |
| 12 | ZQ6-5237 | 413 | 97 | 15 | 1/1 |
| 13 | ZQ6-517 | 300 | 110 | 12 | 1/1 |
| 14 | ZQ6-518 | 300 | 110 | 12 | 1/1 |

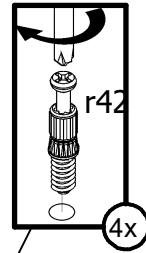




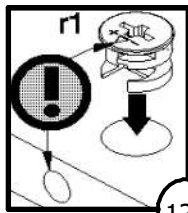
1



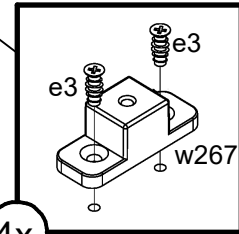
12x



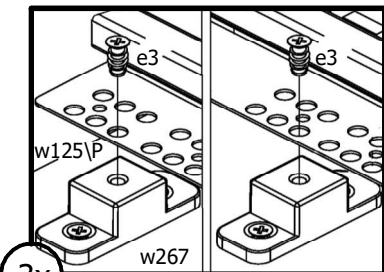
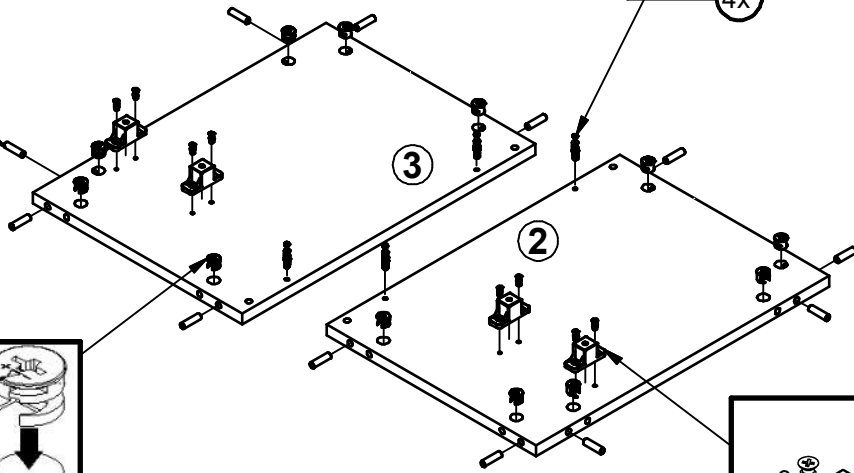
4x



12x

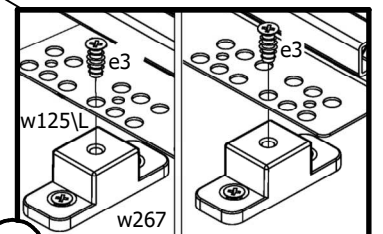
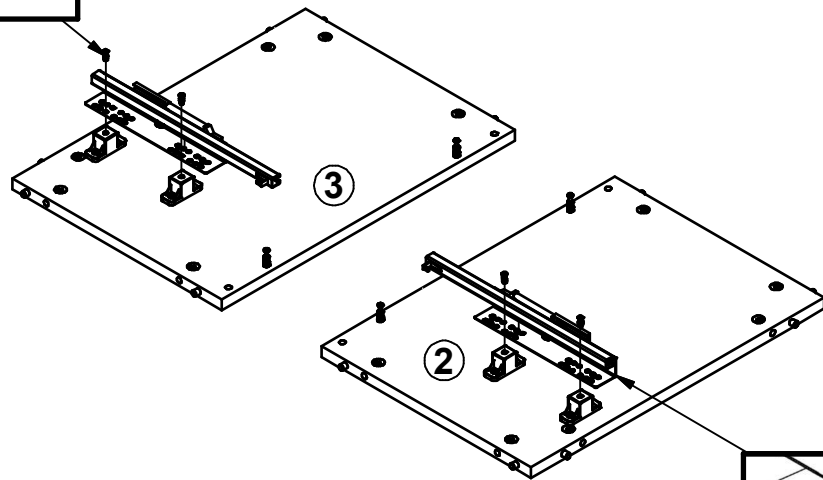


4x



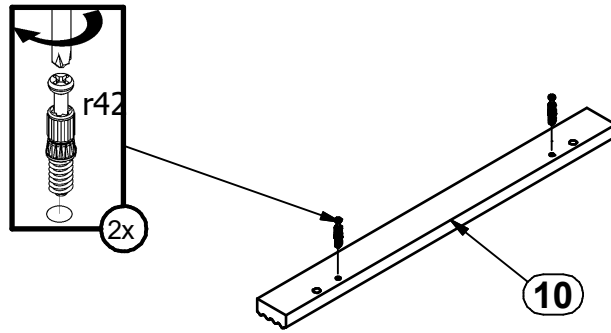
3x

2



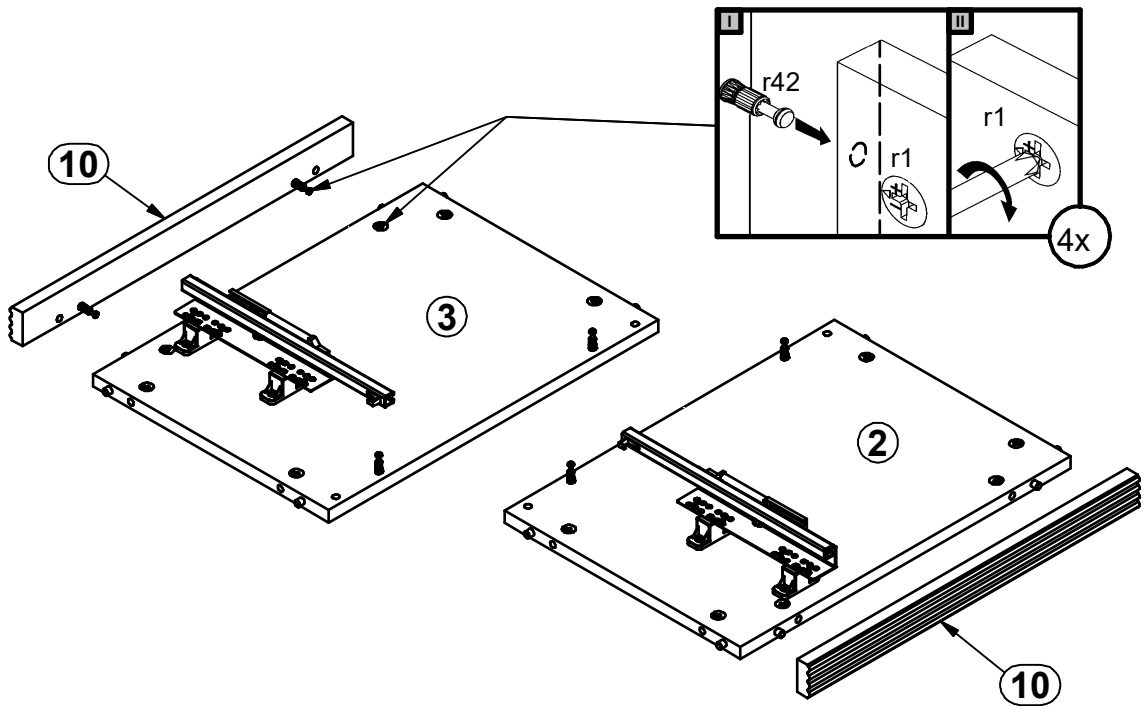
3x

3

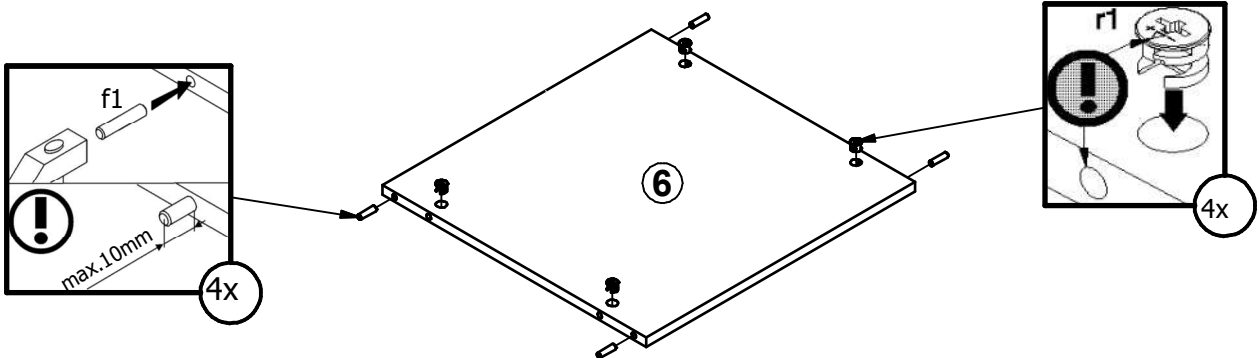


2x

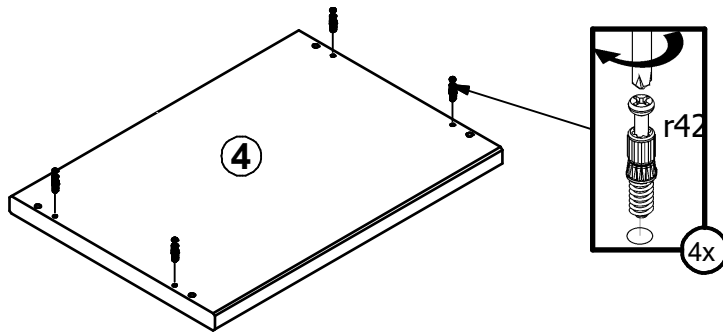
4



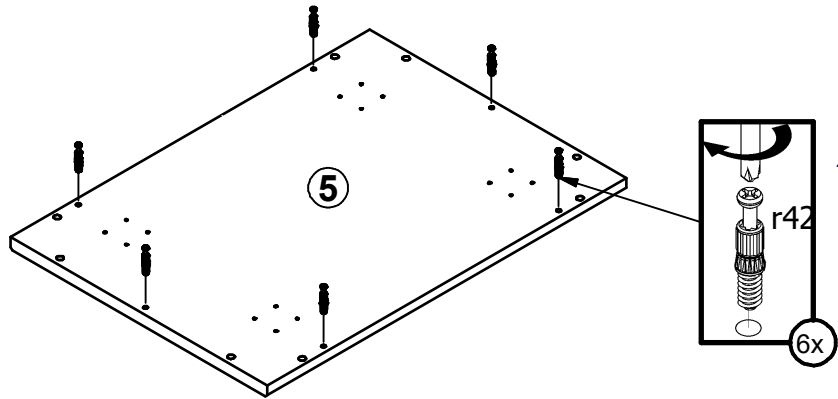
5



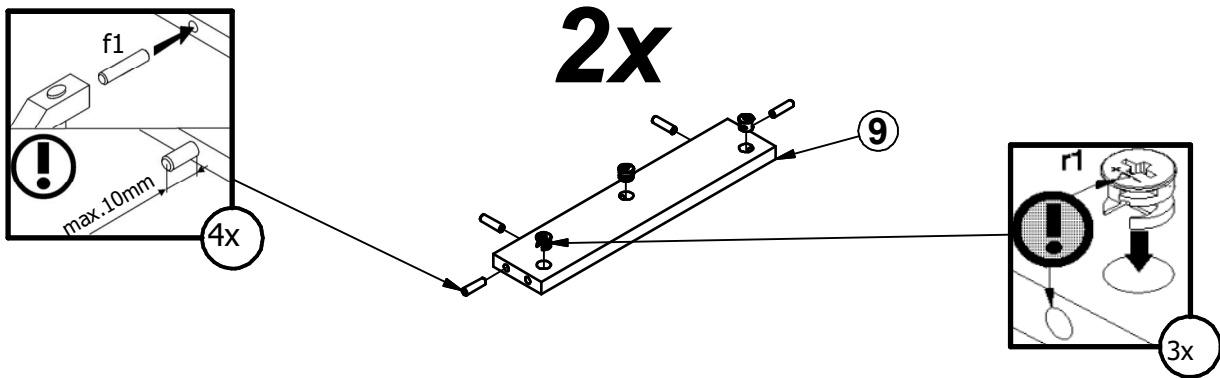
6



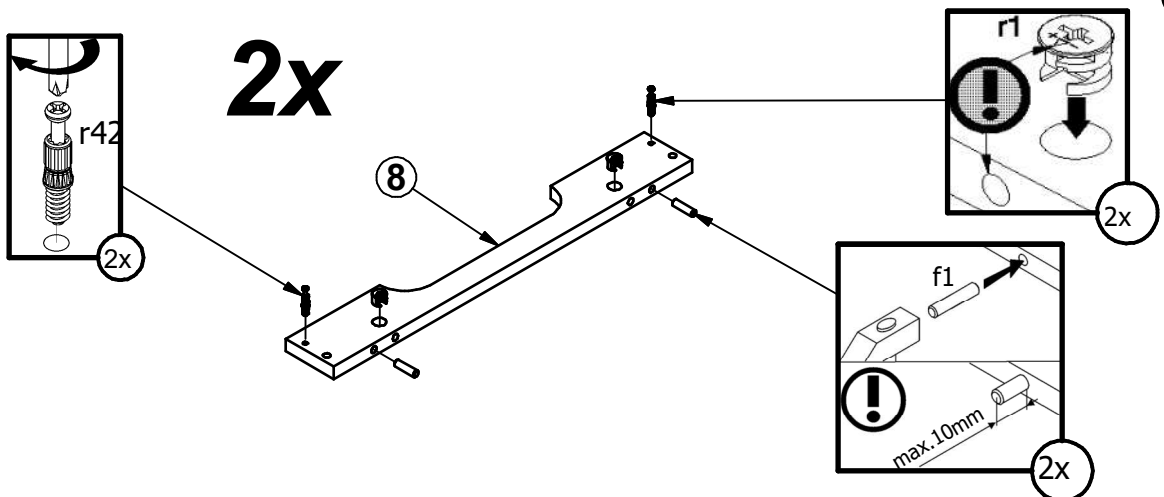
7



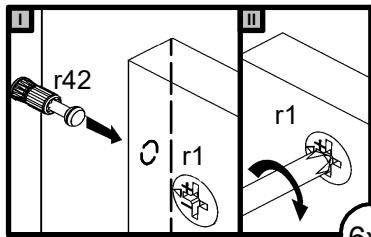
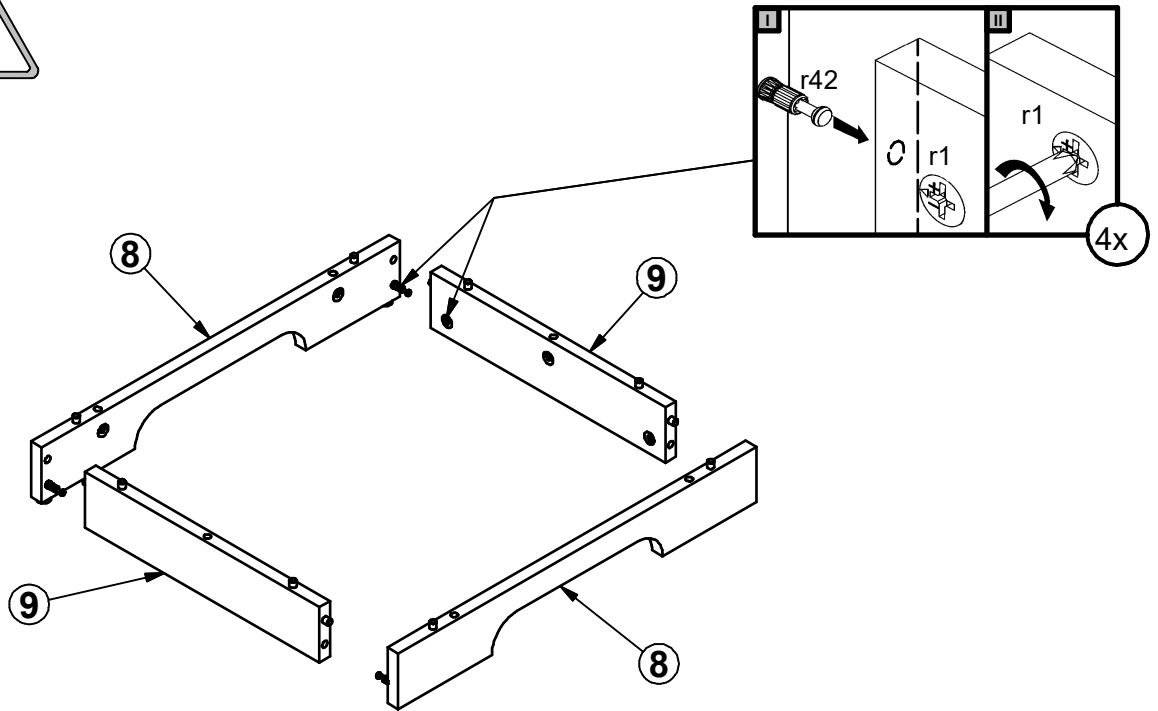
8



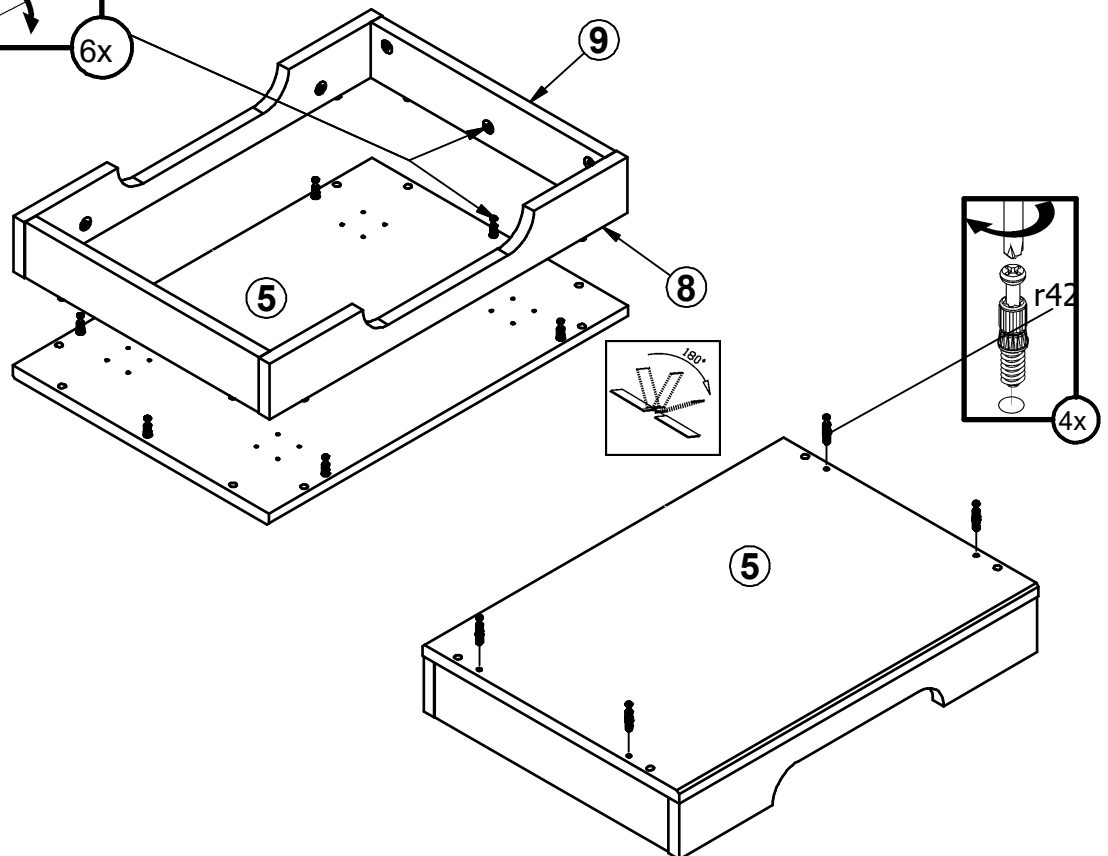
9



10

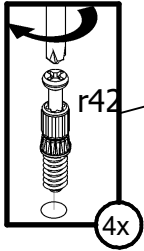
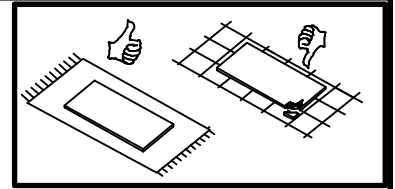
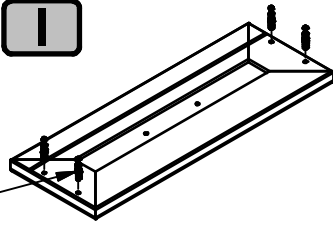


11

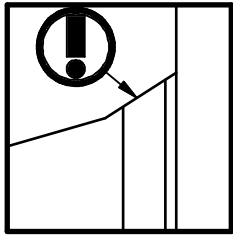
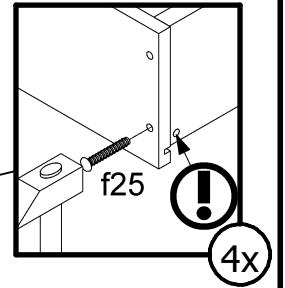
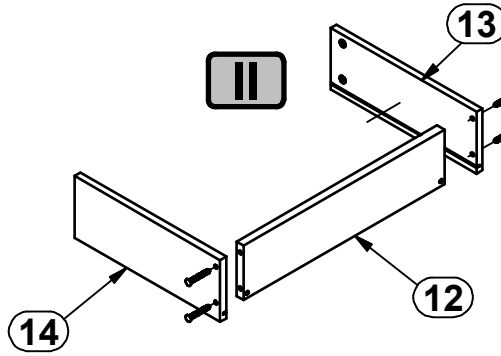


12

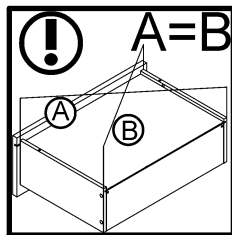
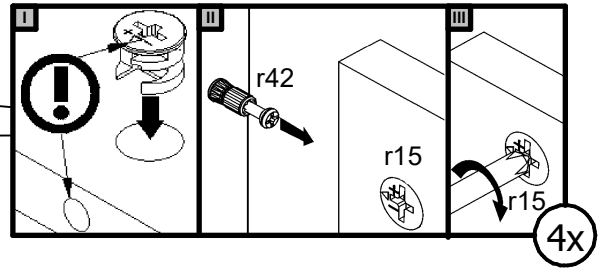
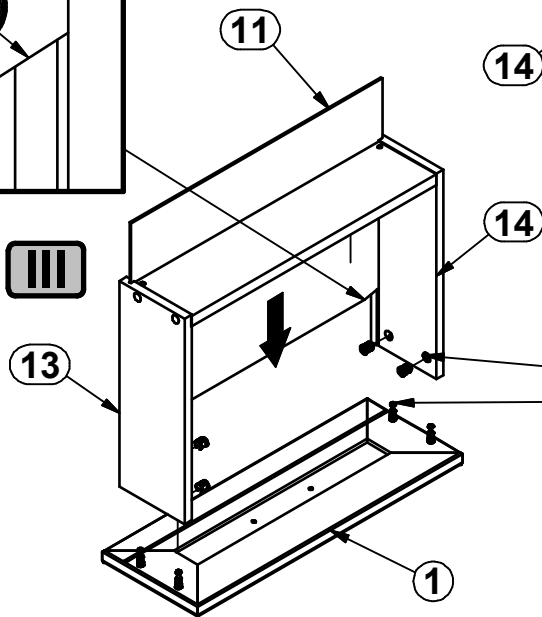
I



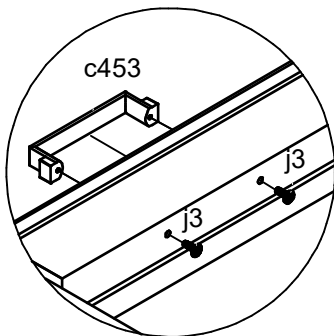
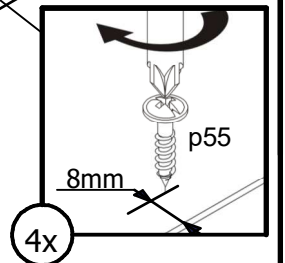
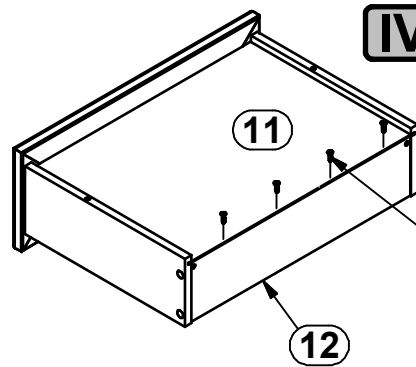
II



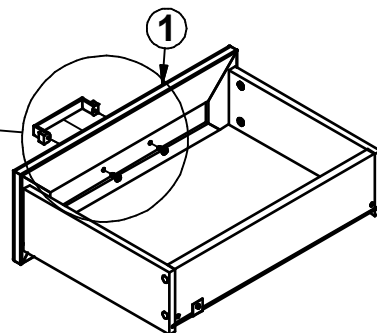
III



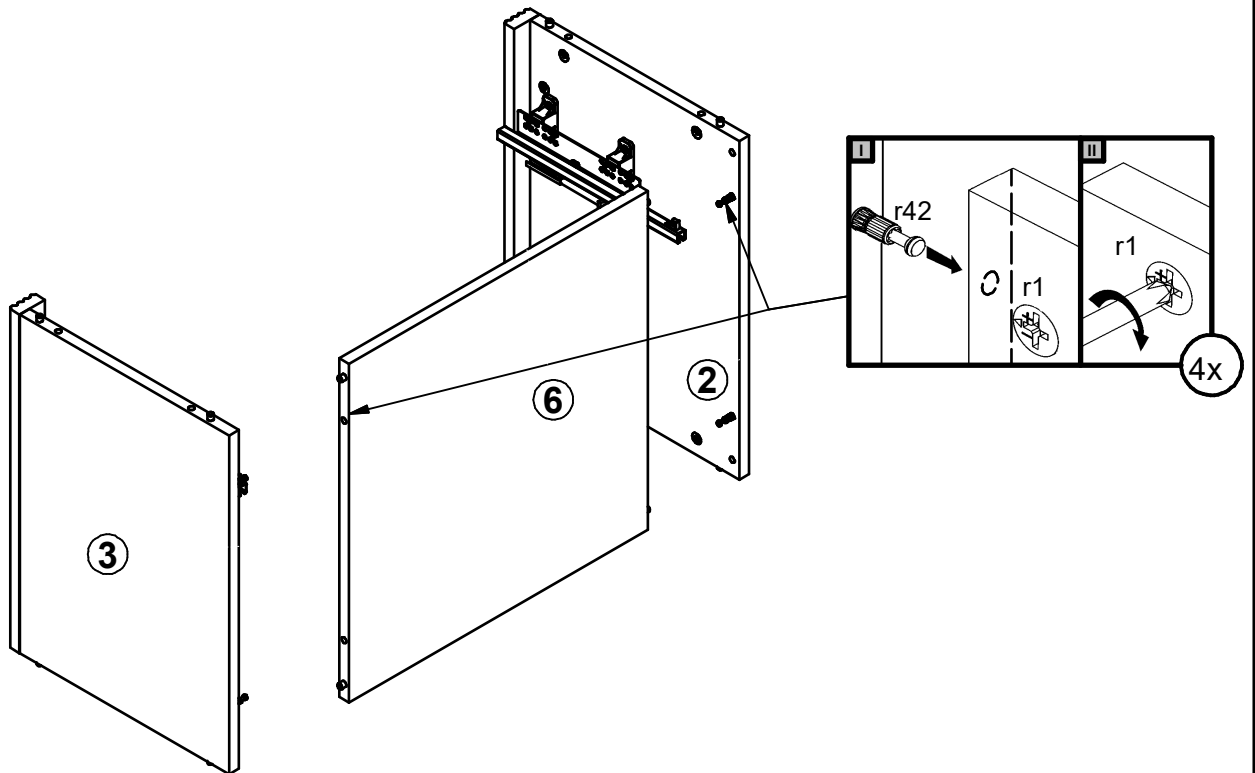
IV



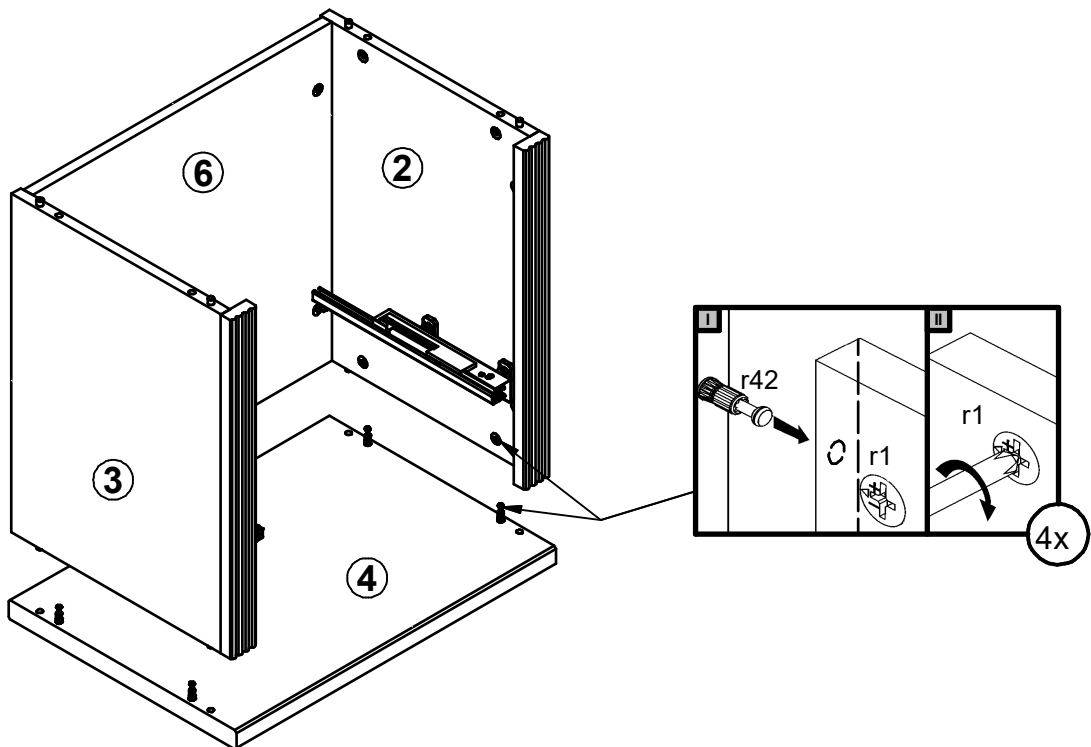
V



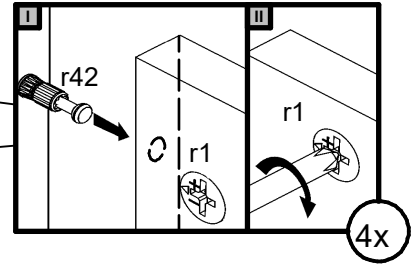
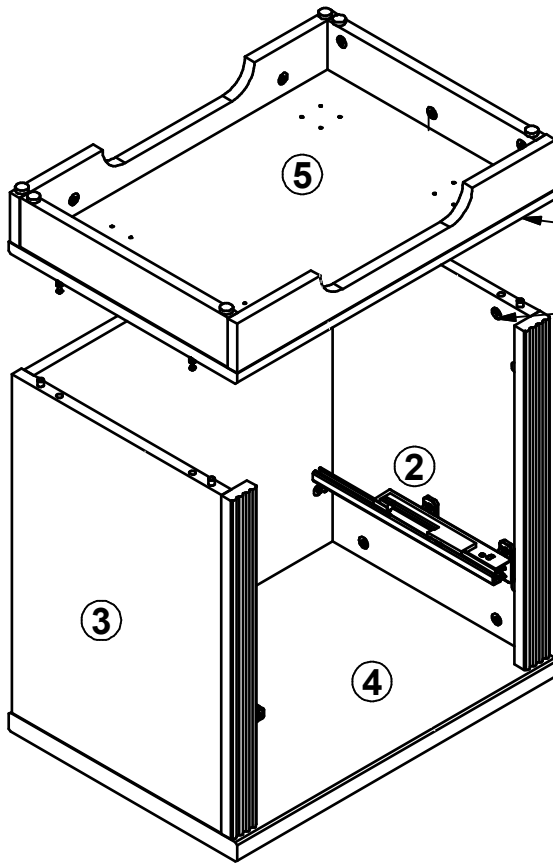
13



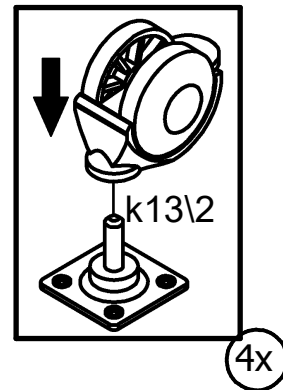
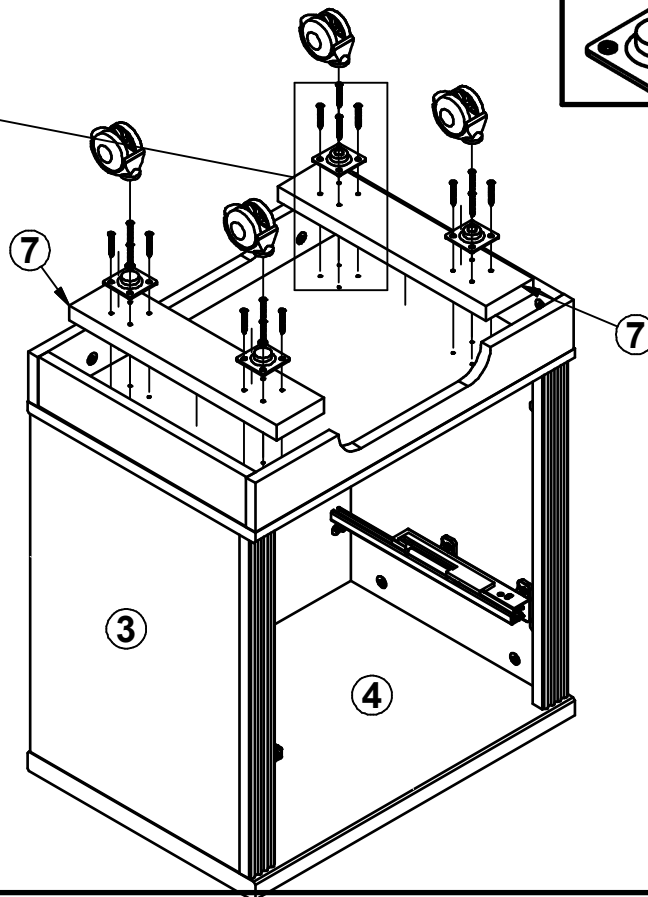
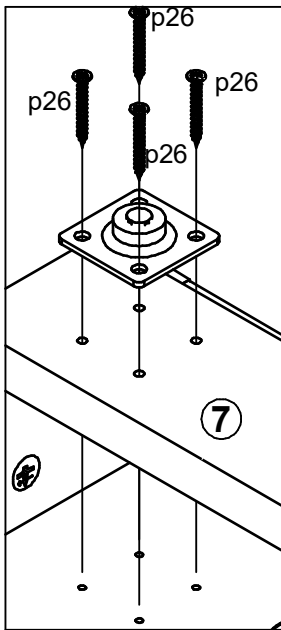
14



15



16



17

