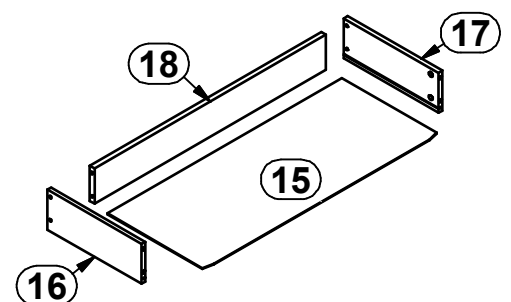
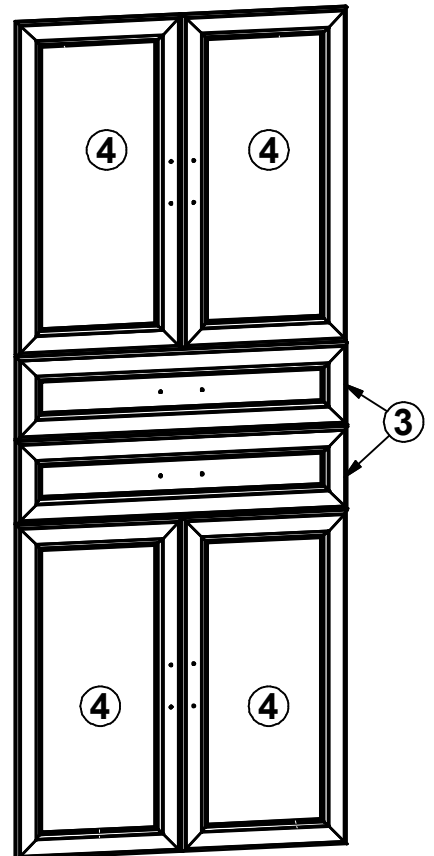
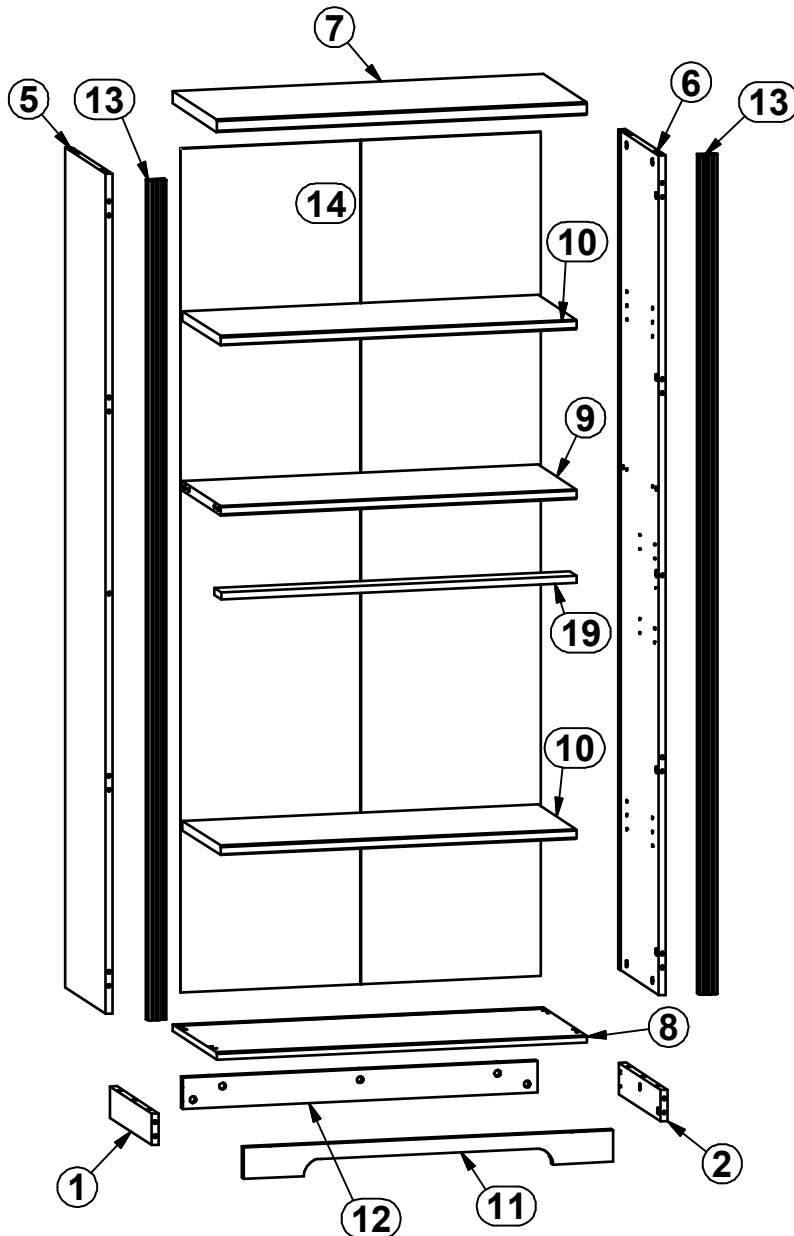
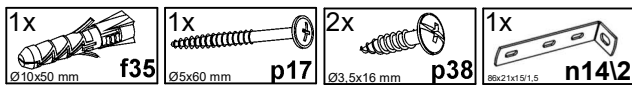
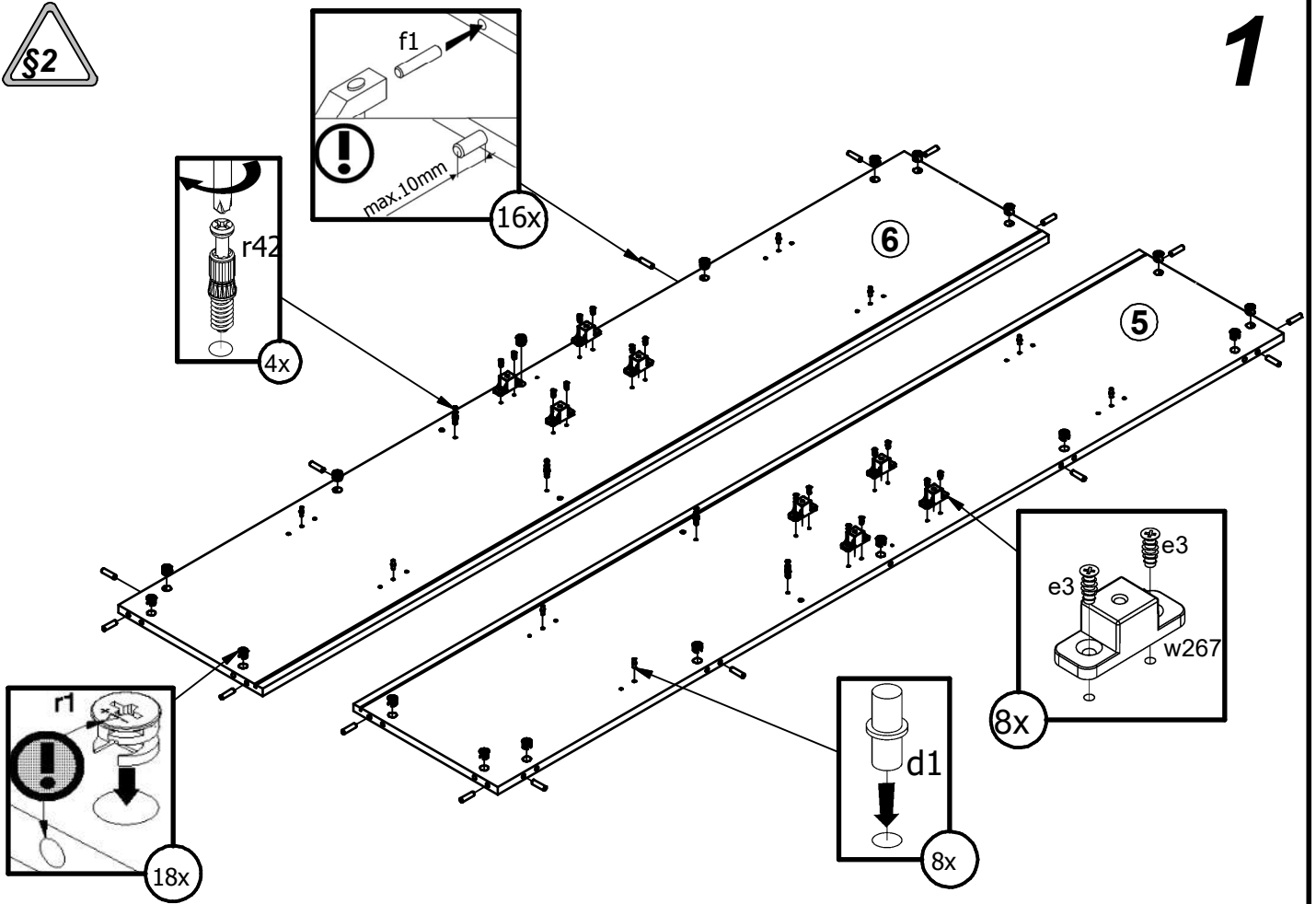


A	B	C1	C2	C3	D
1	M261-4102	363	72	16	2/3
2	M261-4103	363	72	16	2/3
3	S530-0003	770	188	22	3/3
4	S530-0004	762	383	22	3/3
5	S530-1006	1918	353	16	2/3
6	S530-1007	1918	353	16	2/3
7	S530-2001	862	380	28	1/3
8	S530-2002	862	380	16	1/3
9	S530-3004	828	333	22	1/3
10	S530-3005	828	333	22	1/3
11	S530-4101	860	72	16	2/3
12	S530-4102	826	72	16	2/3
13	S530-5002	1918	43	19	2/3
14	S530-9301	1928	839	2,5	2/3
15	WSP-9393	745	308	2,5	1/3
16	ZQ6-517	300	110	12	2/3
17	ZQ6-518	300	110	12	2/3
18	ZQ6-5229	737	97	15	2/3
19	S530-4008	828	60	16	2/3

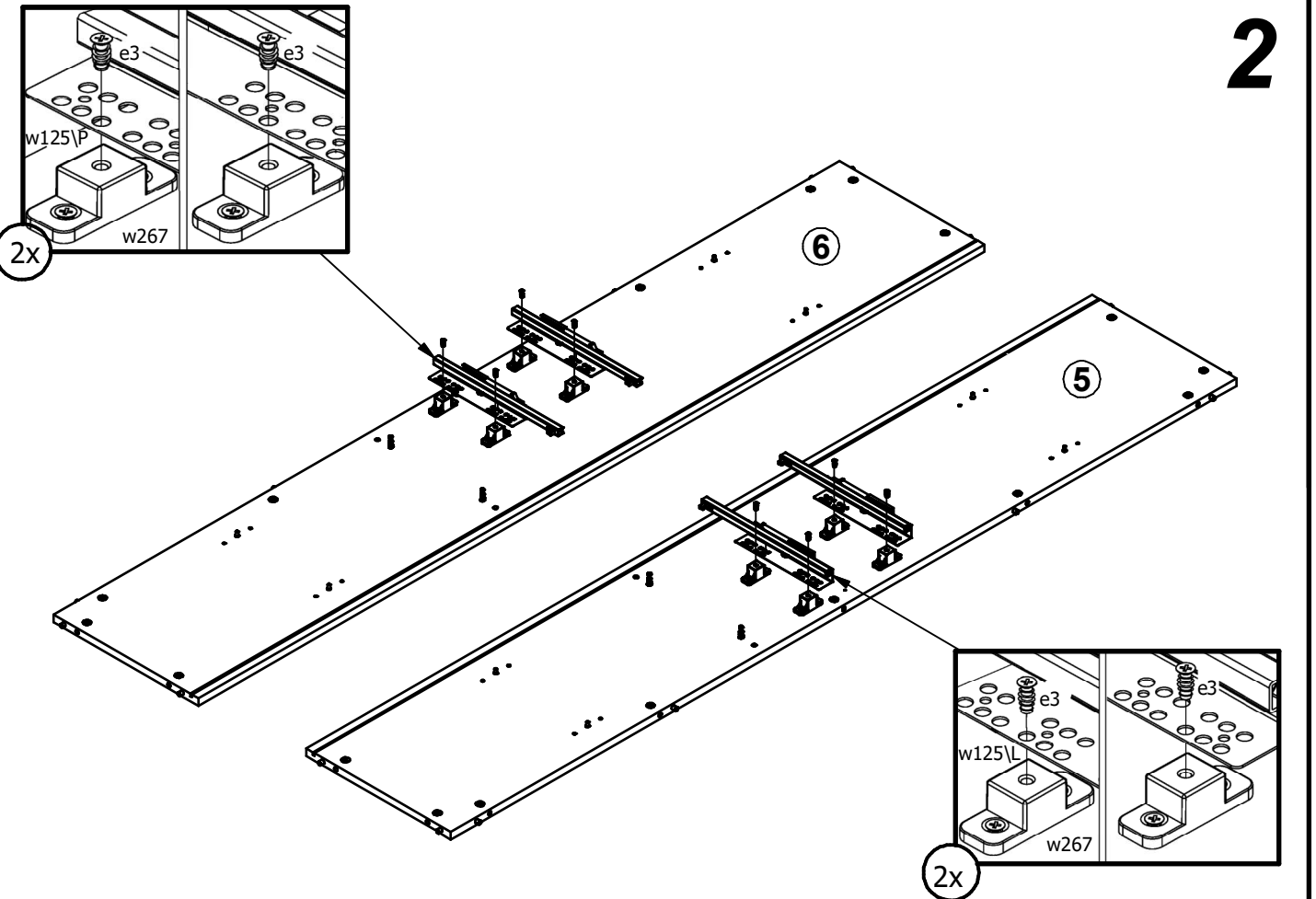




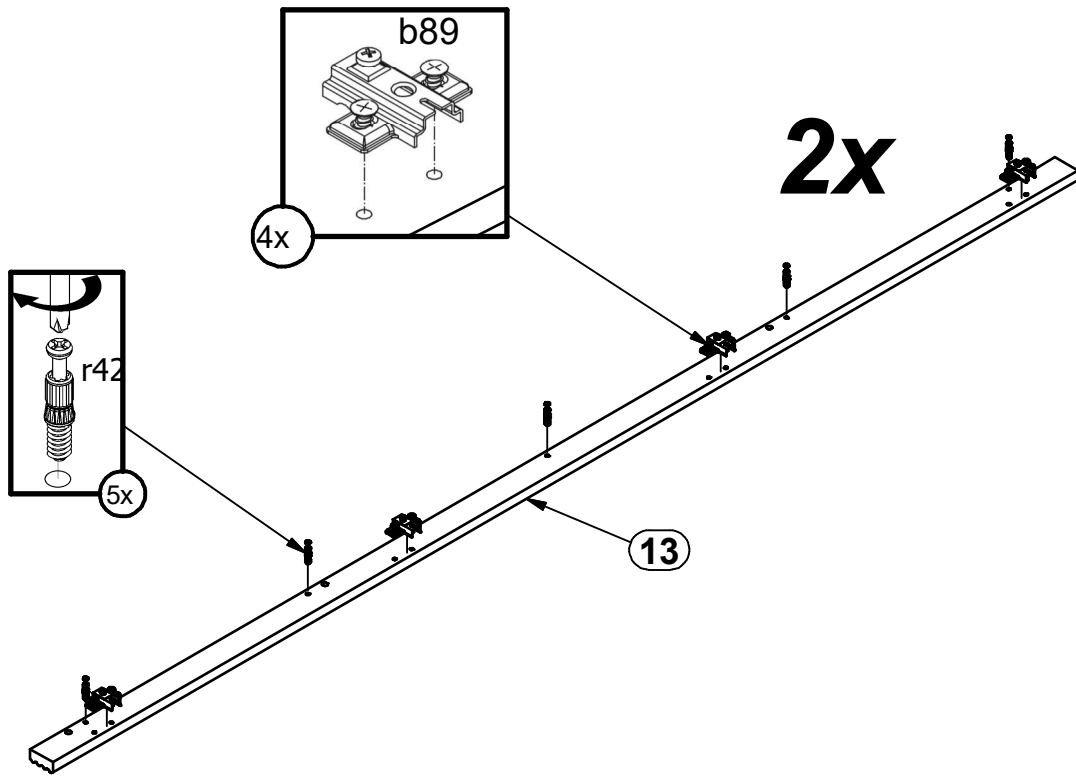
1



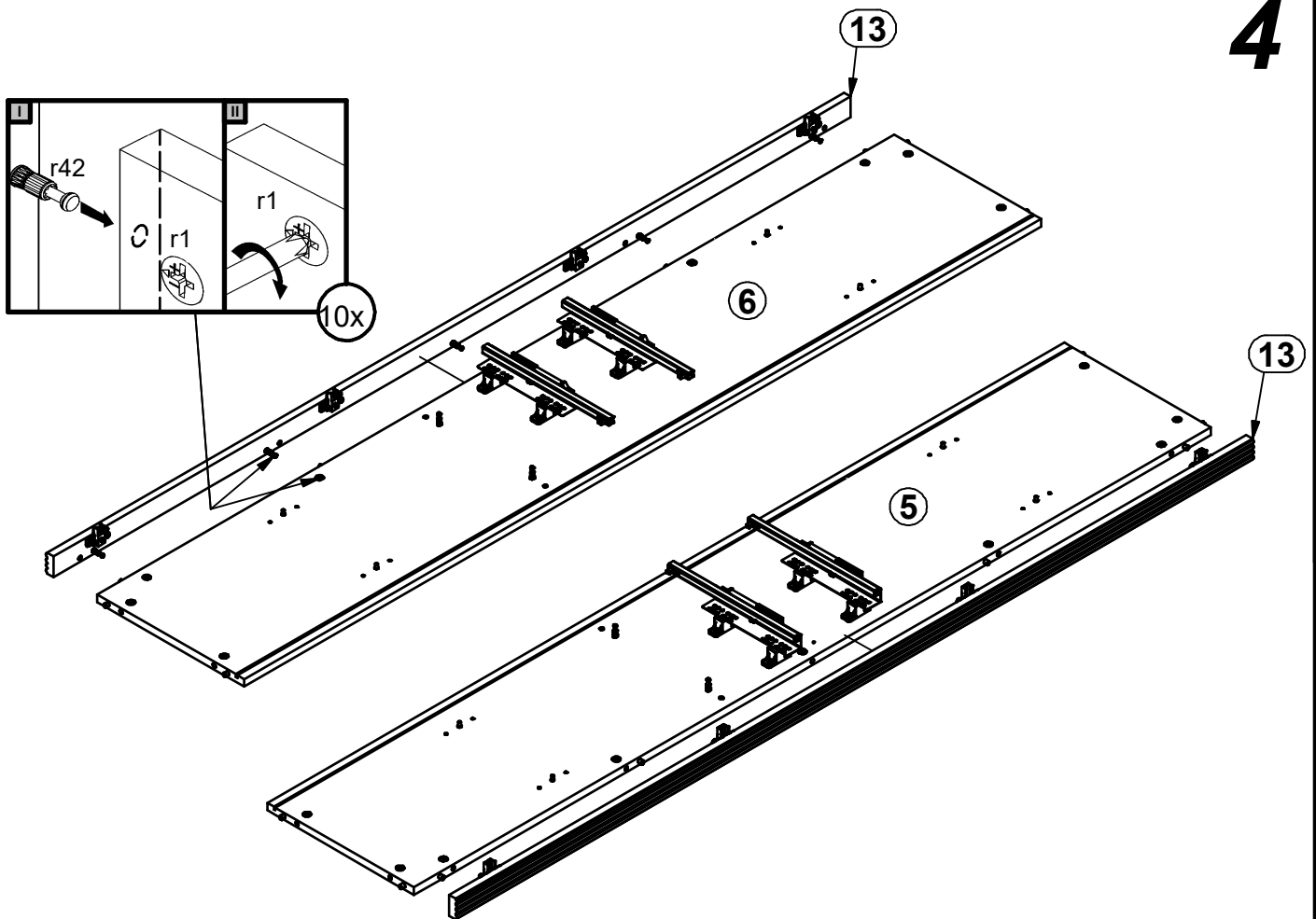
2

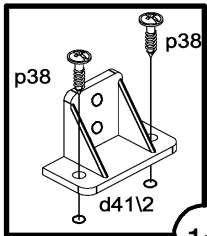


3

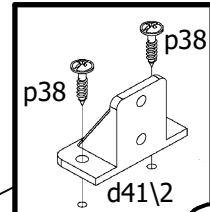
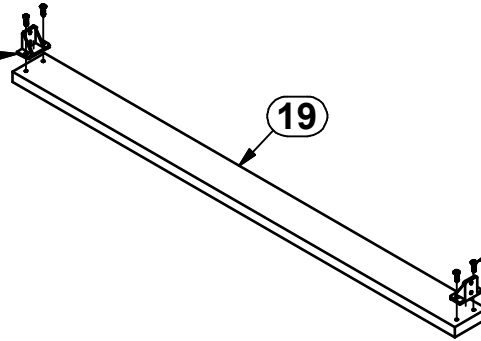


4



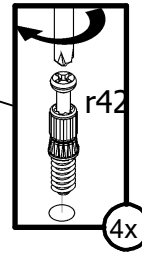
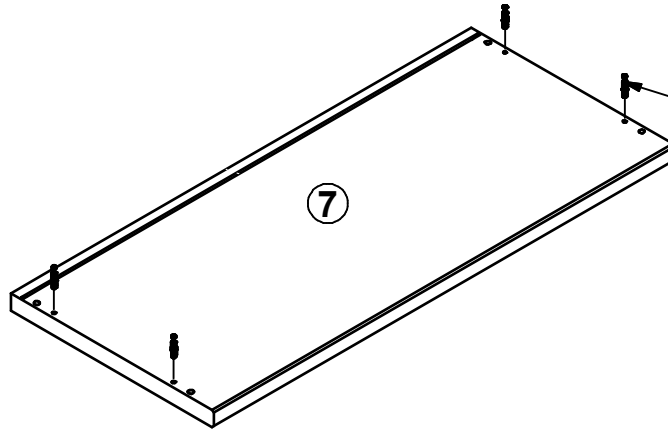


1x



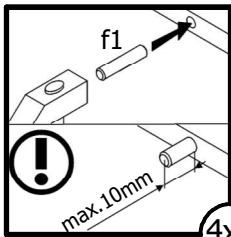
1x

5

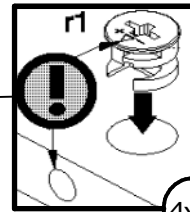
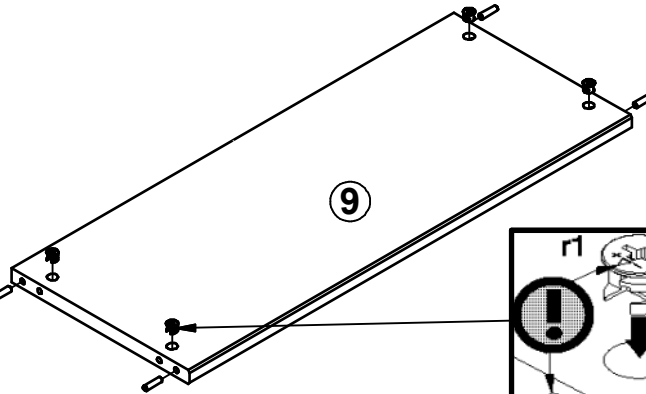


4x

6

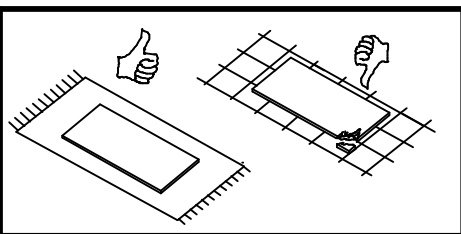


4x

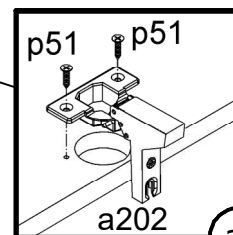
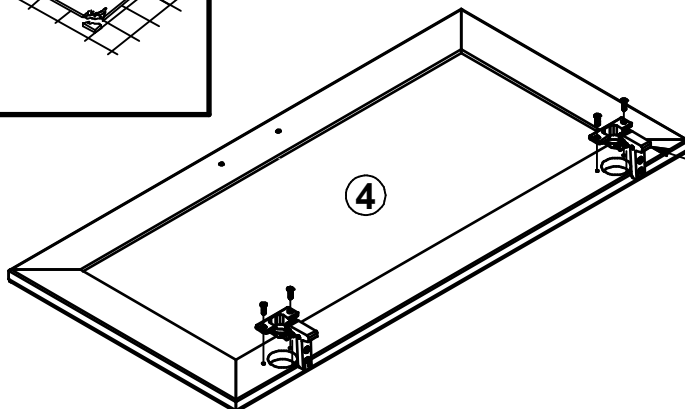


4x

7

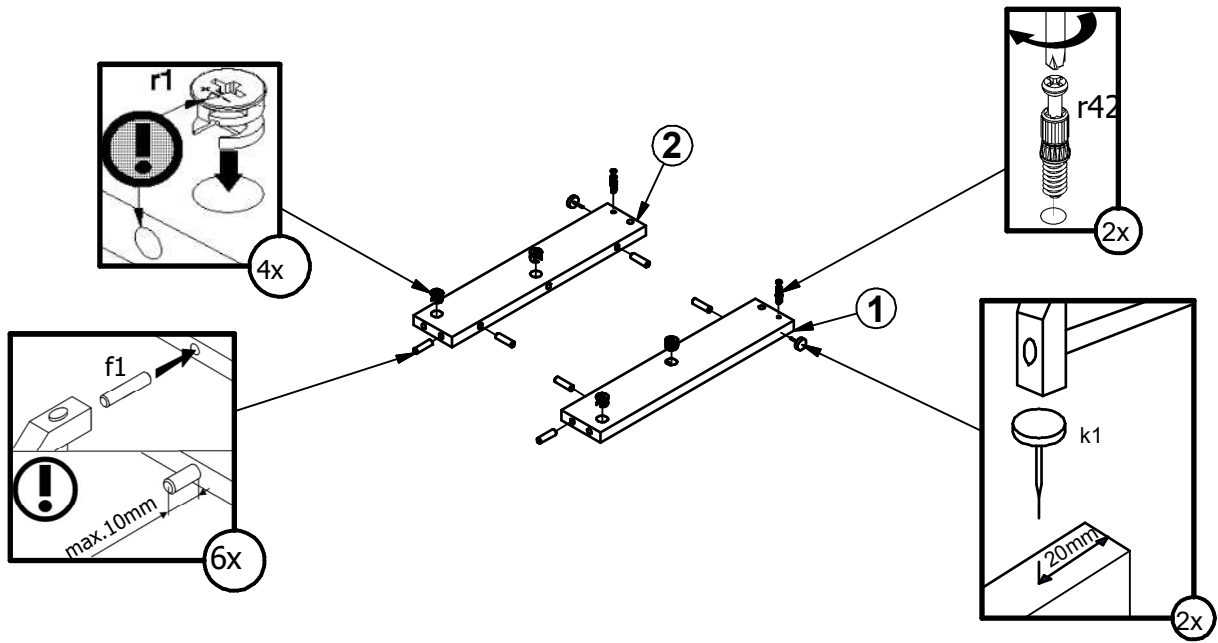


4x

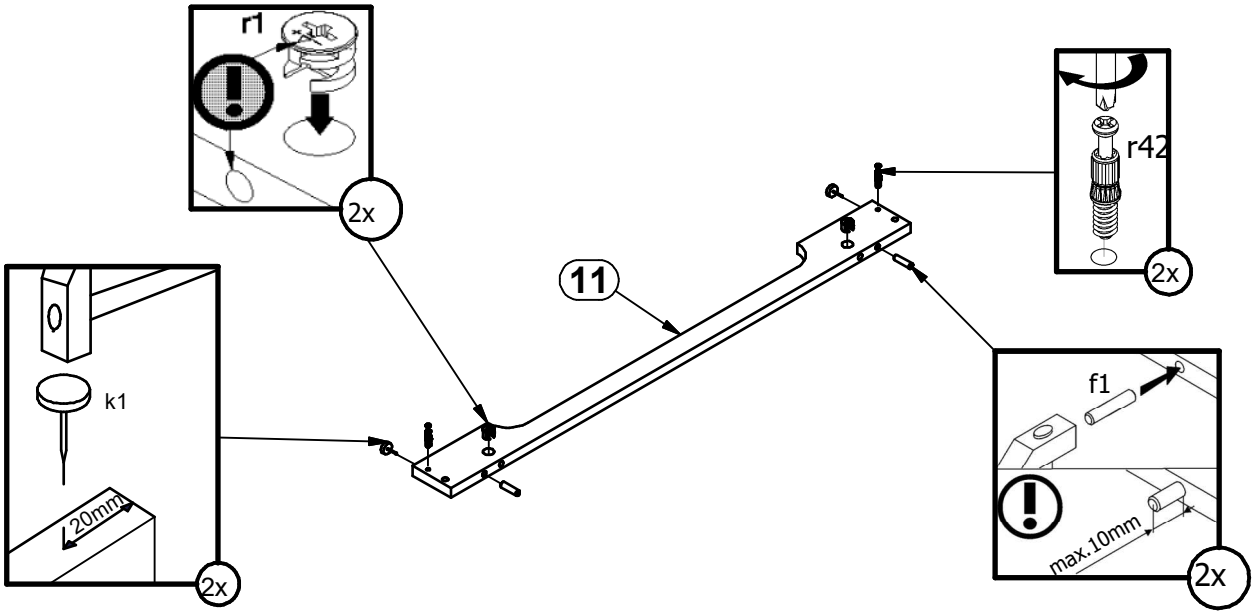


2x

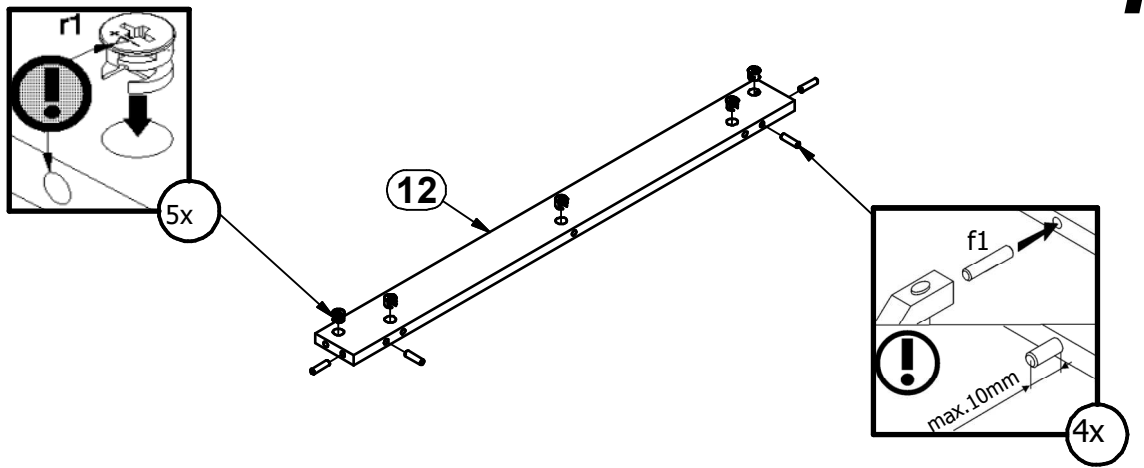
8



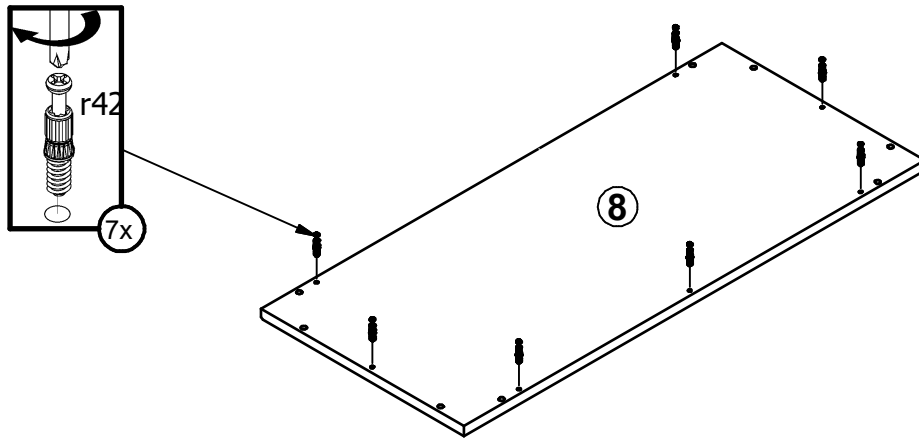
9



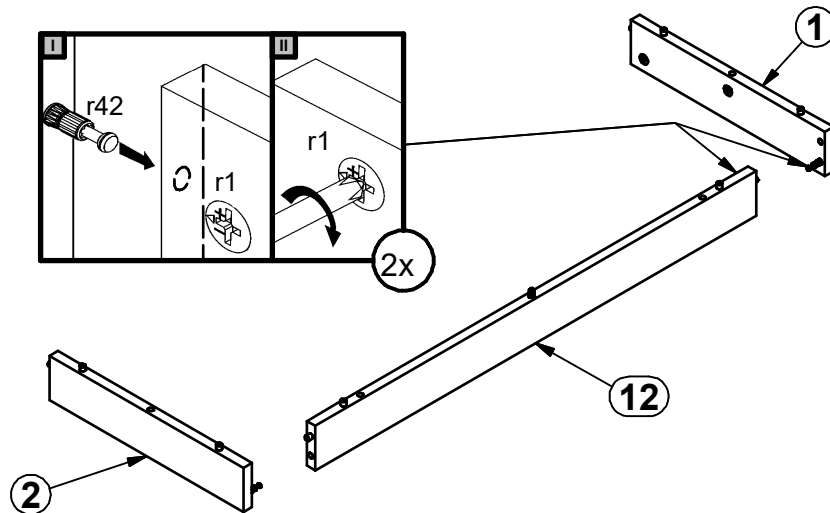
10



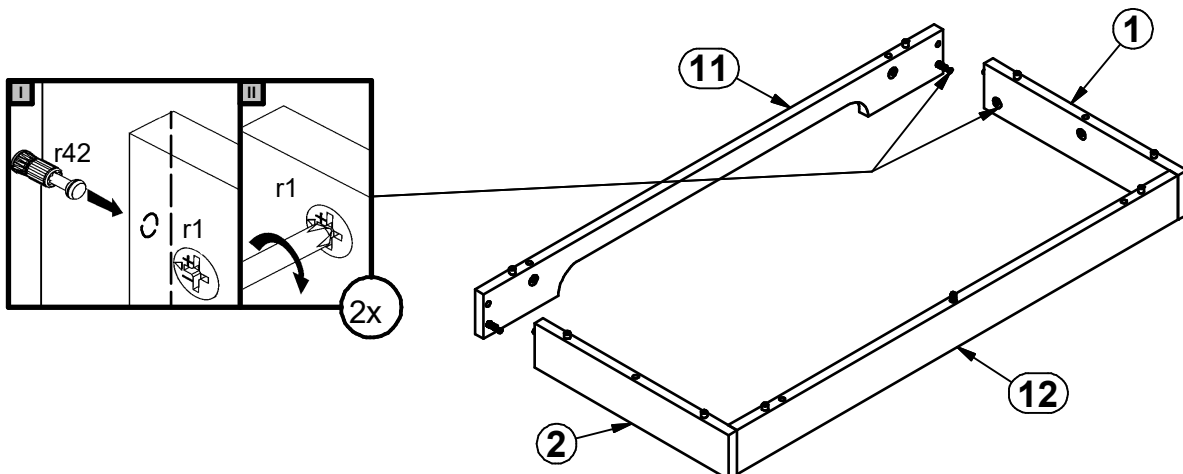
11



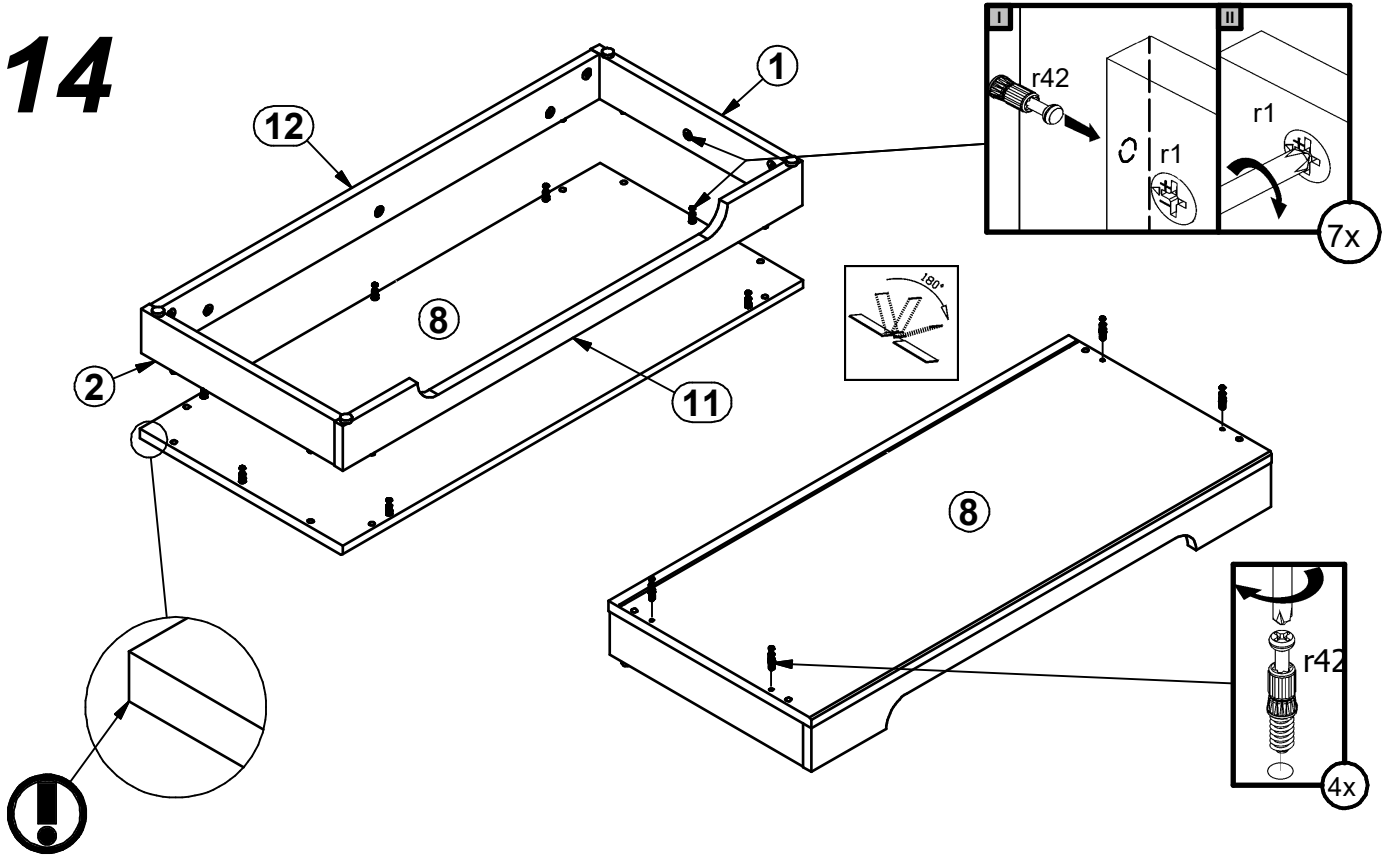
12



13



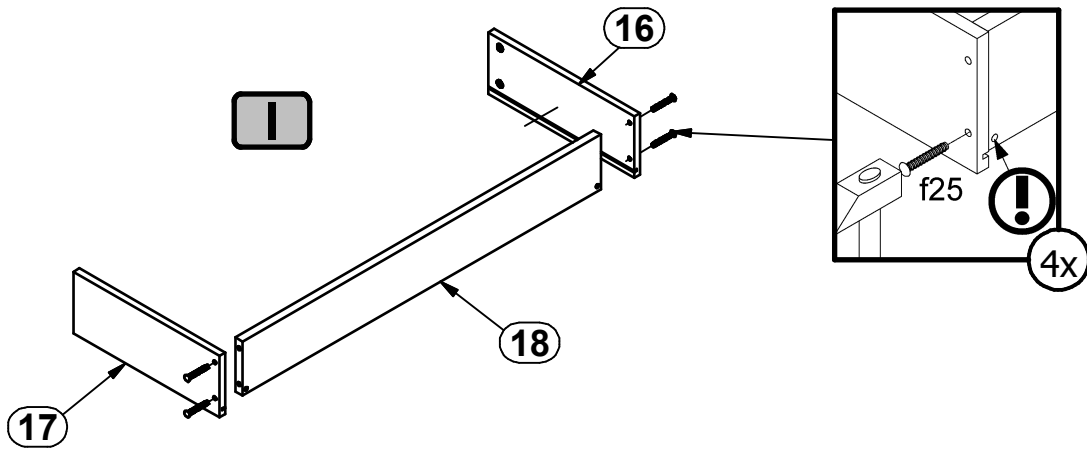
14



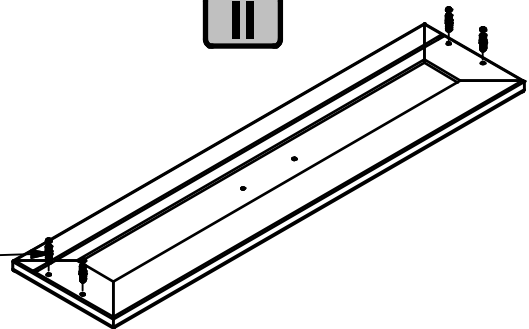
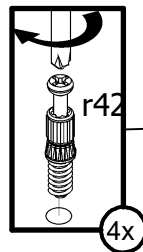
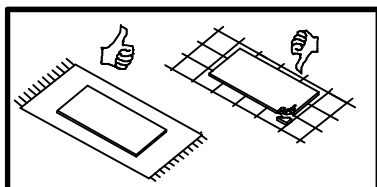
15

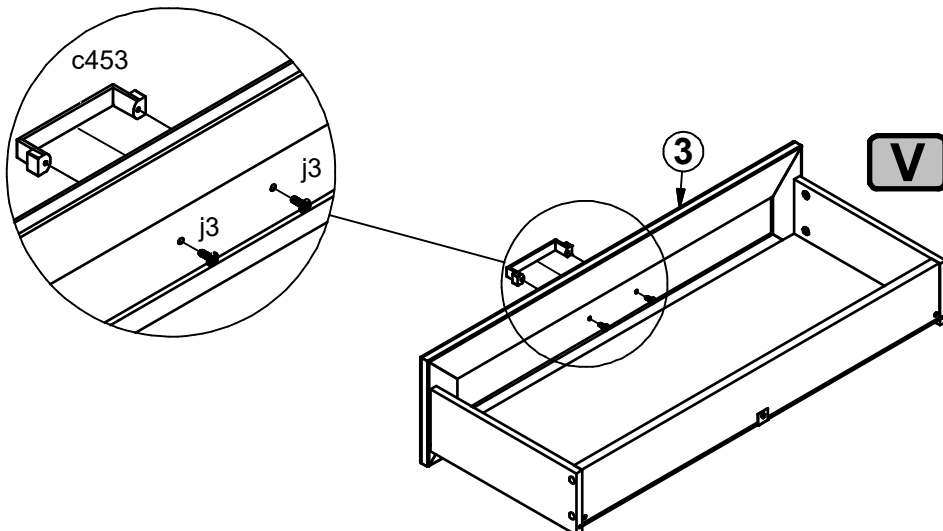
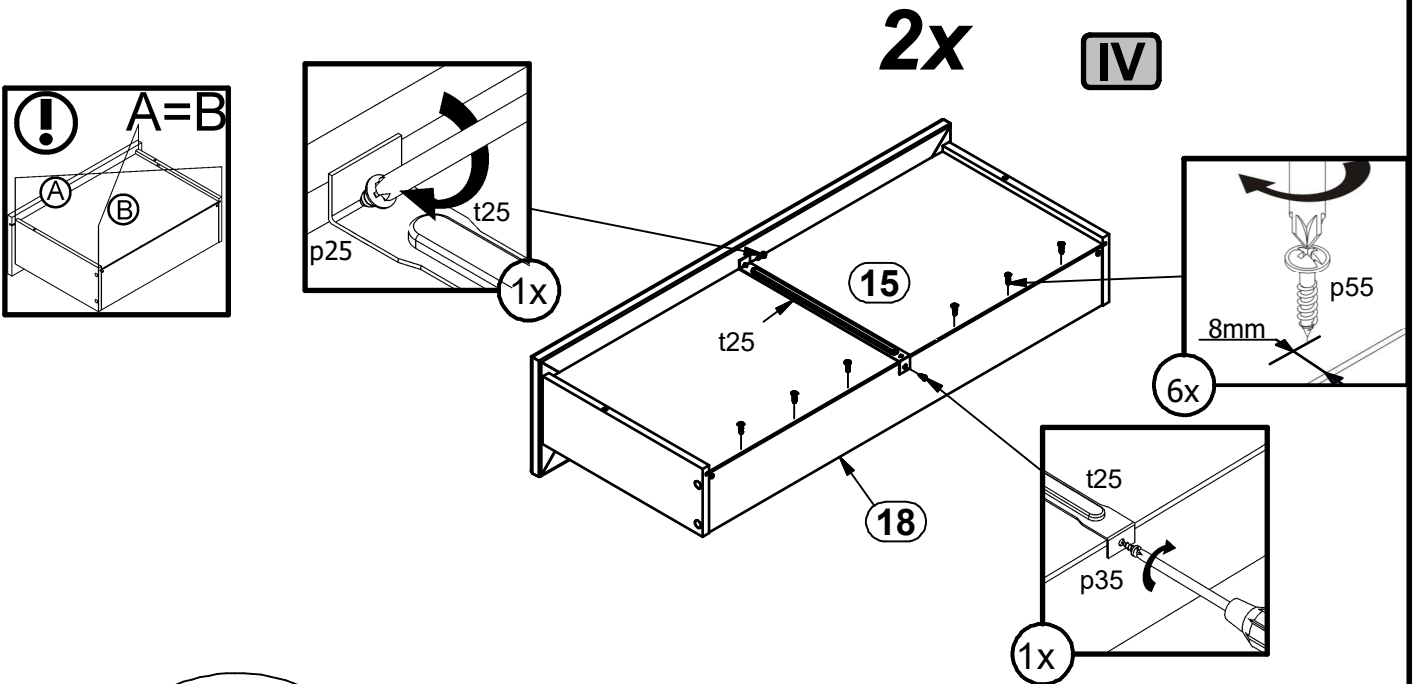
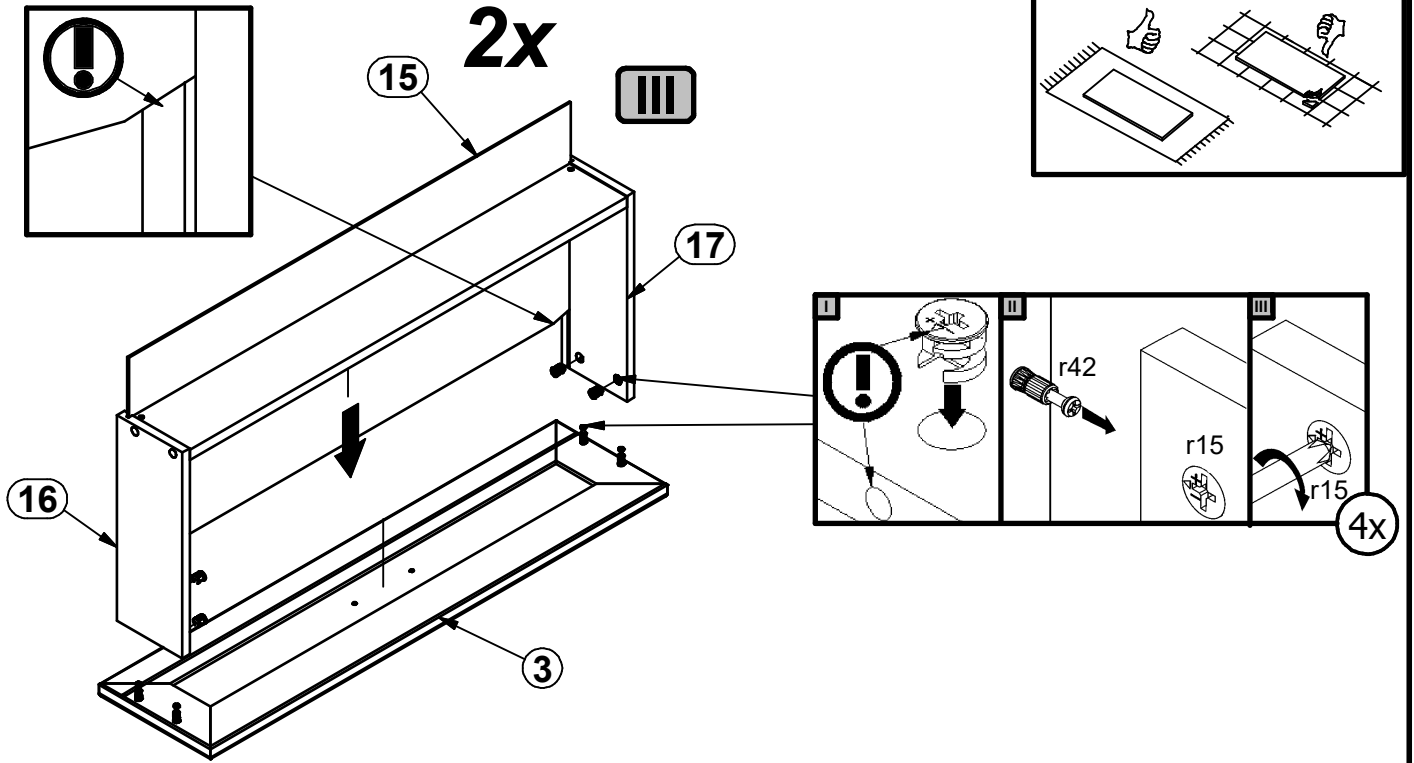


2x

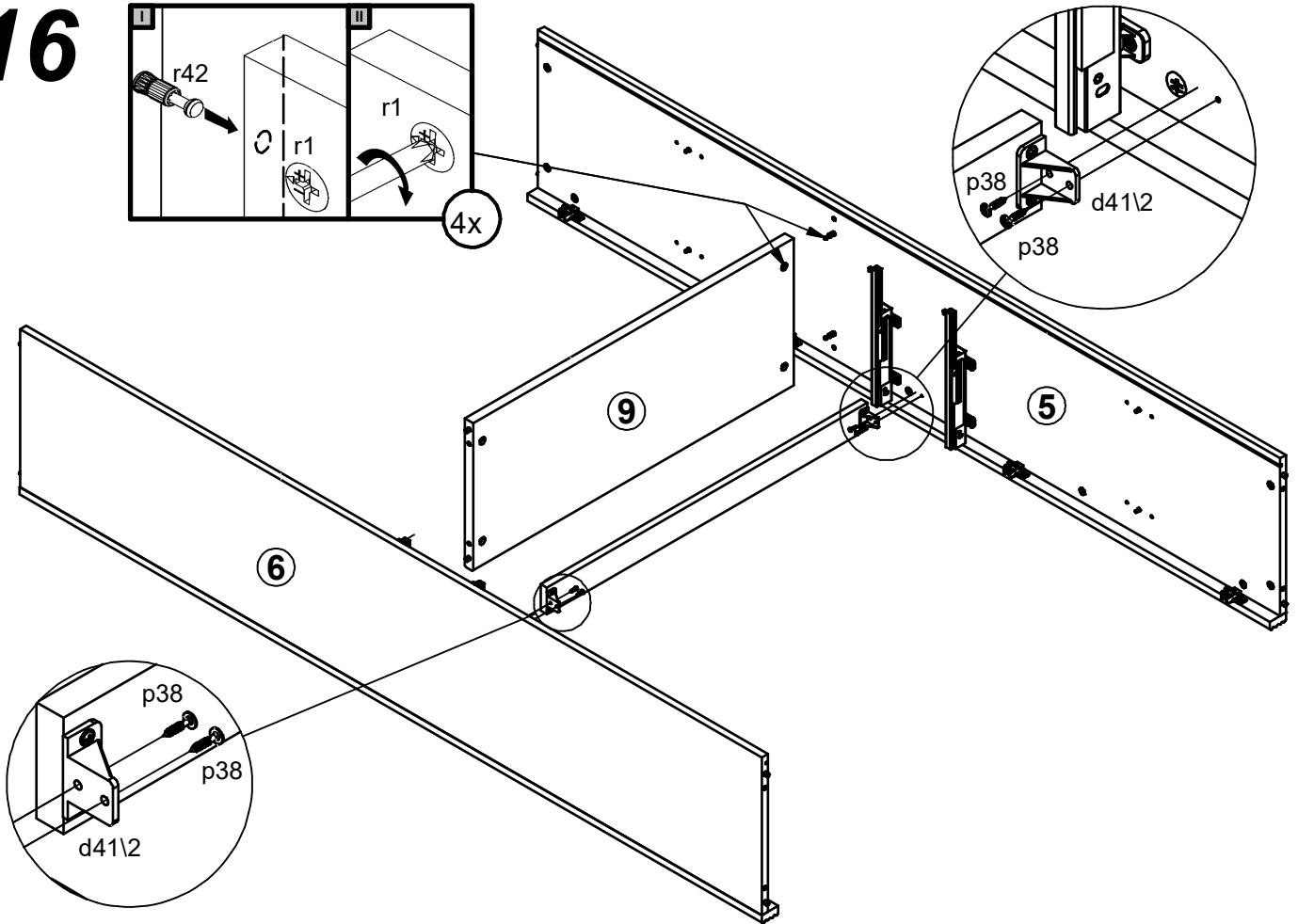


2x

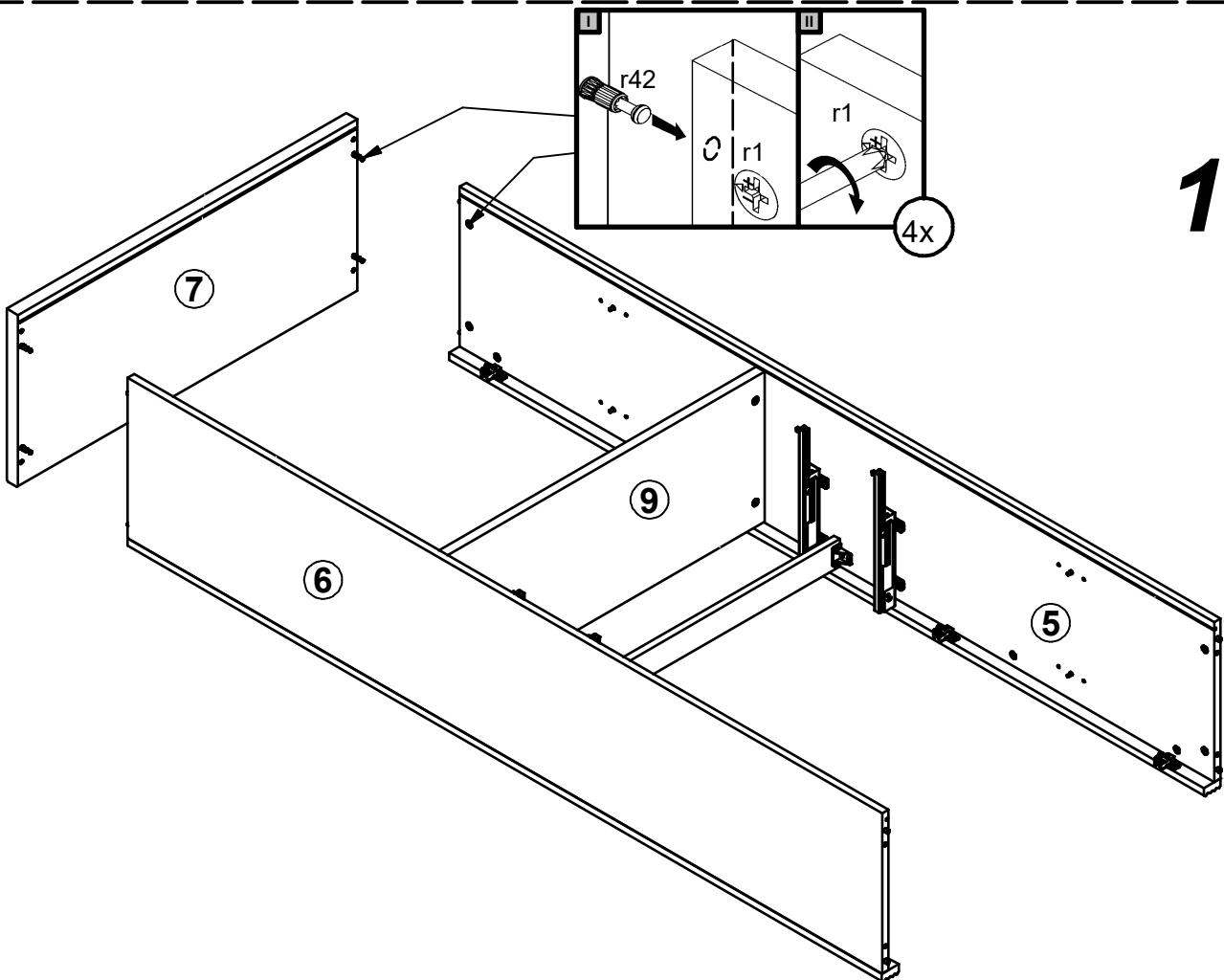




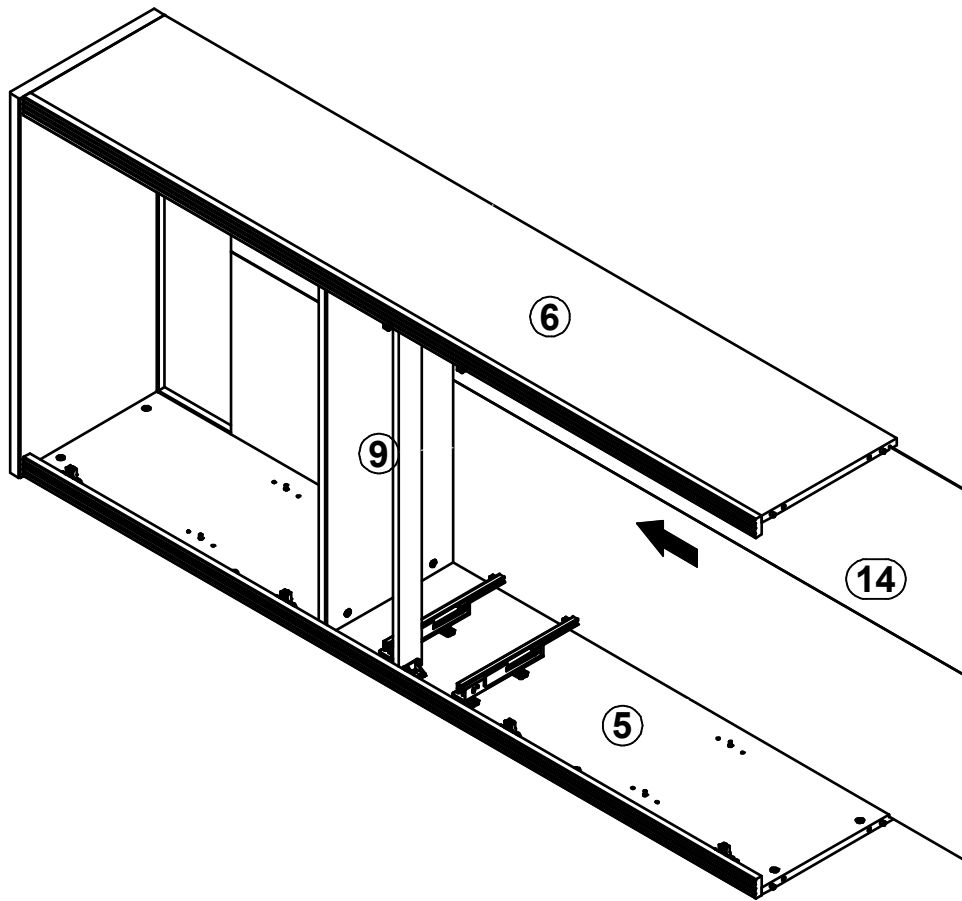
16



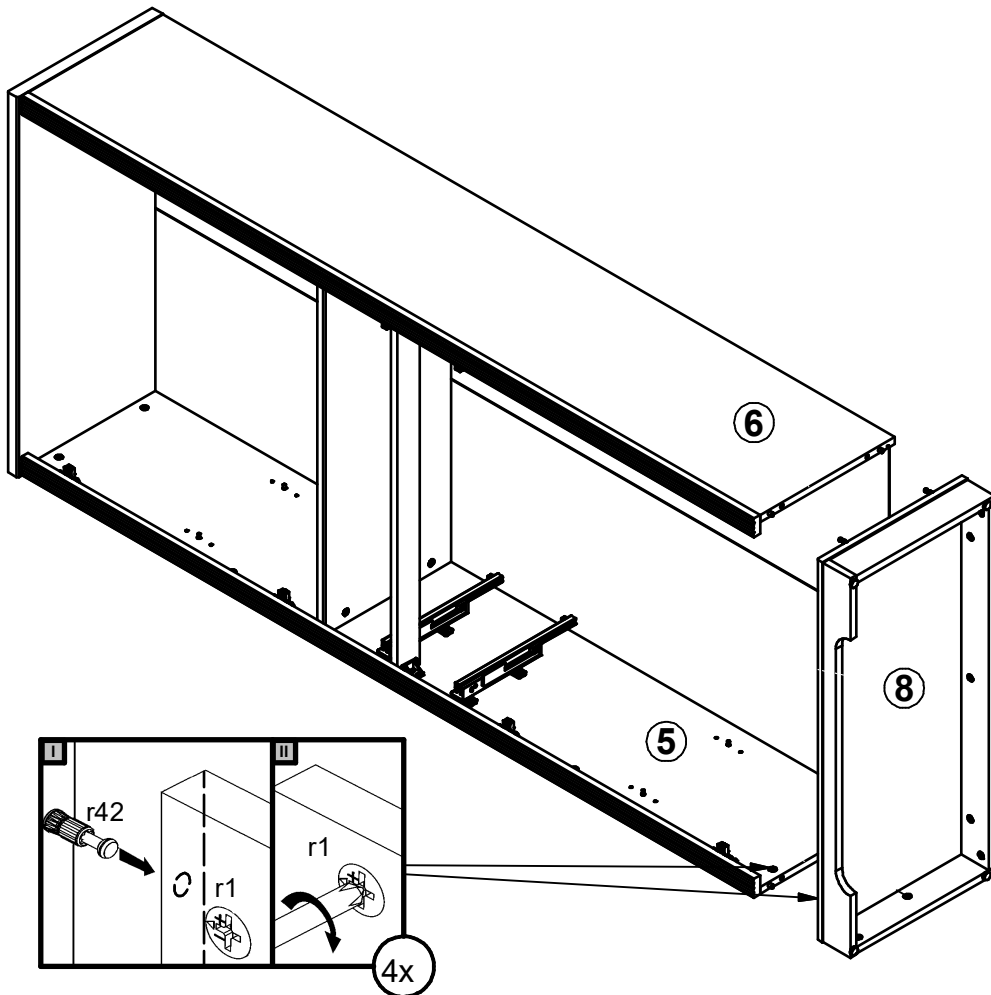
17



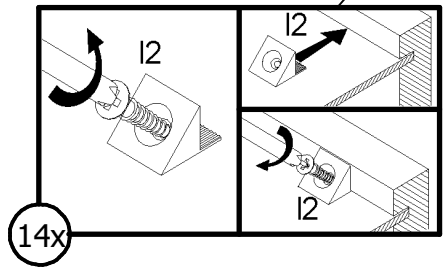
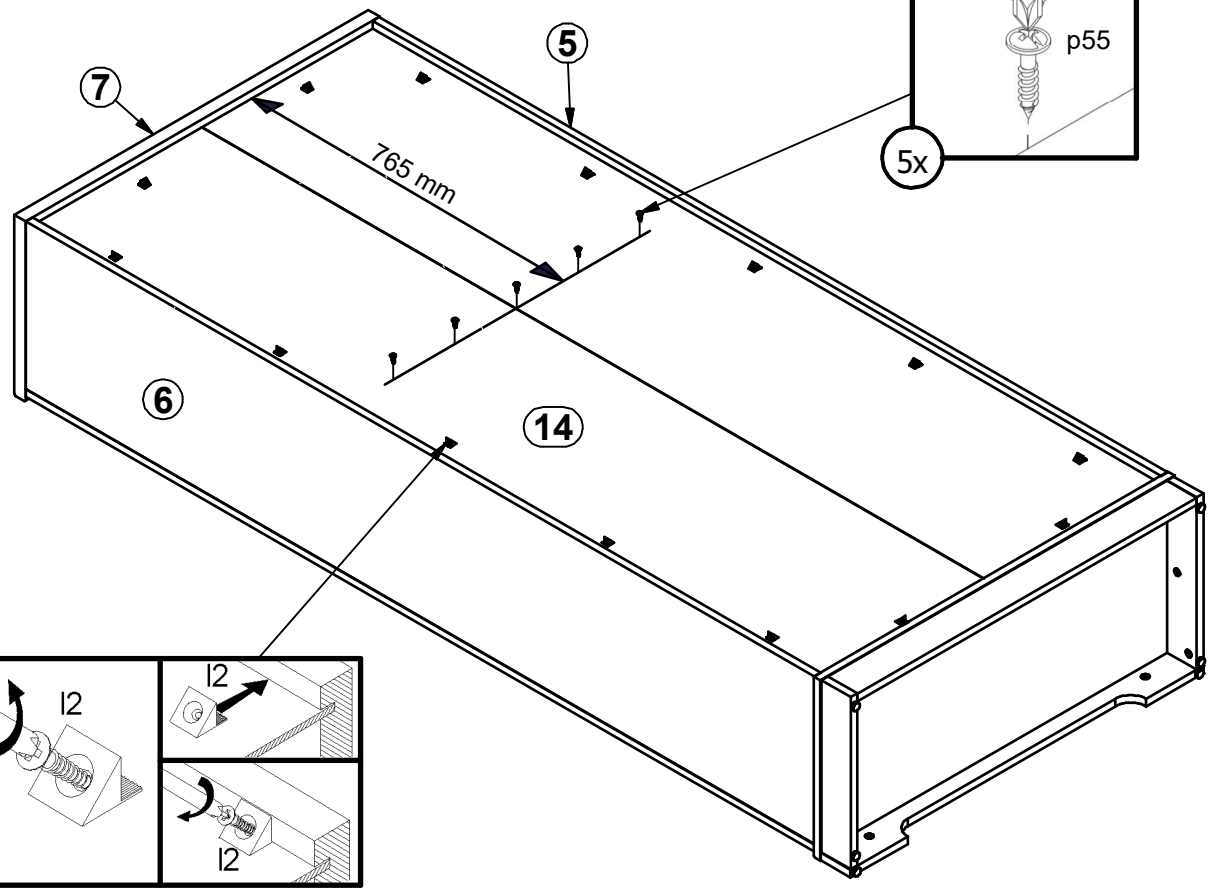
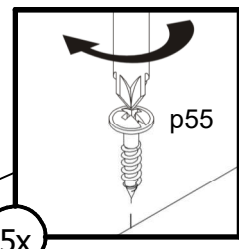
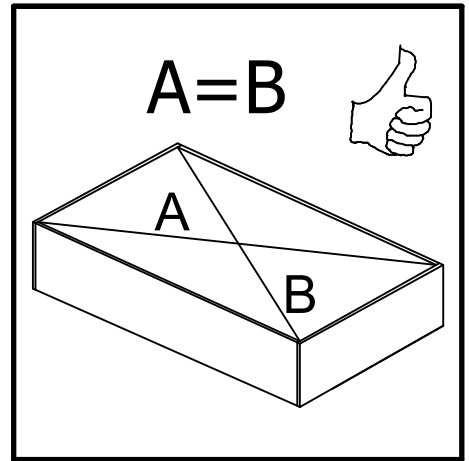
18



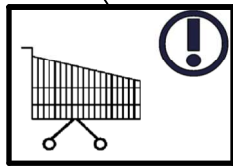
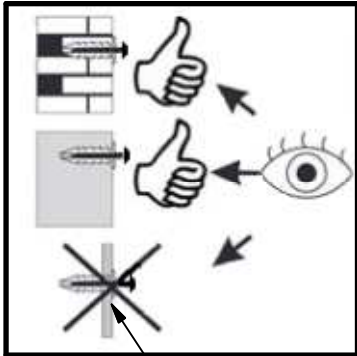
19



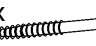



20



21



- 2x  **p38**
Ø3,5x16 mm
- 1x  **f35**
Ø10x50 mm
- 1x  **p17**
Ø5x60 mm
- 1x  **n14/2**
86x21x15/1,5

