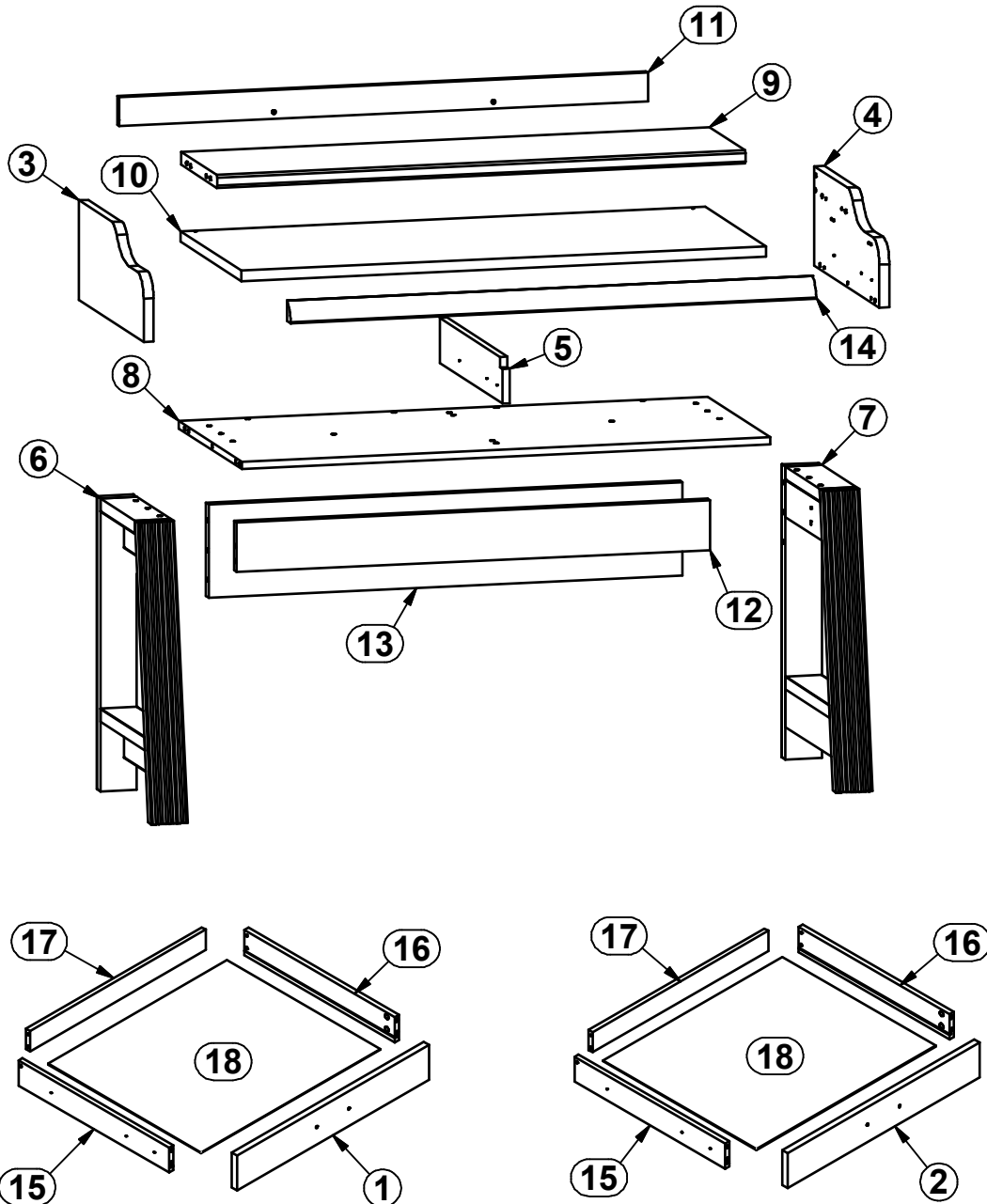
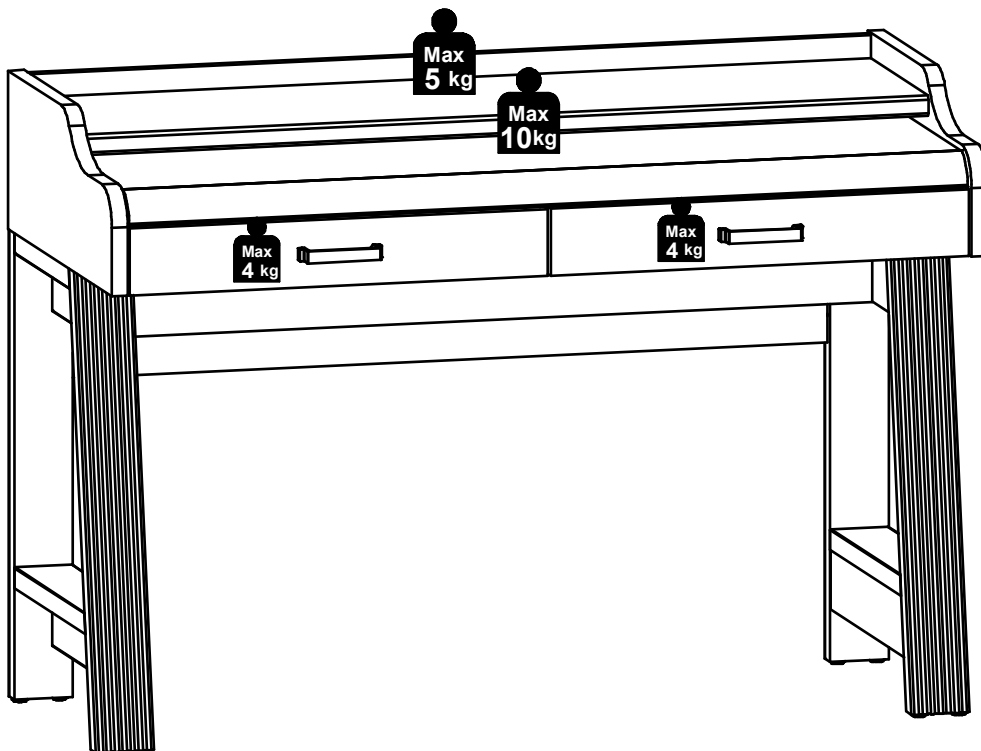
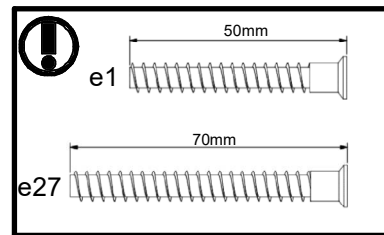
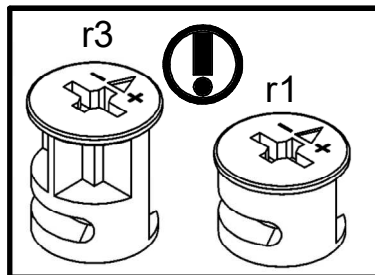
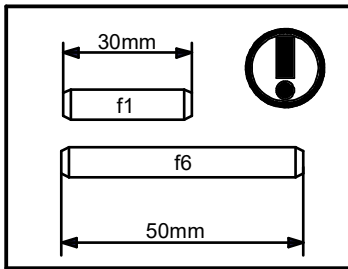
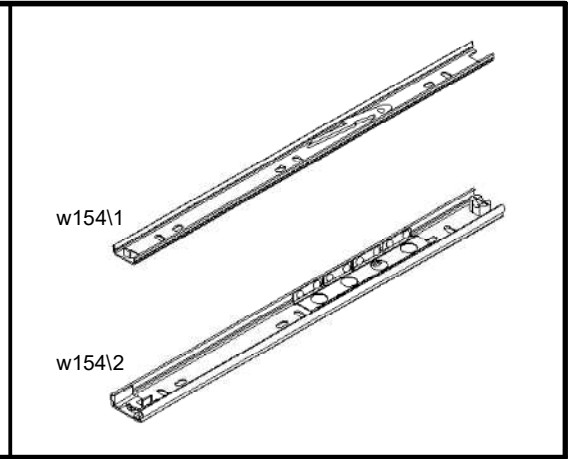
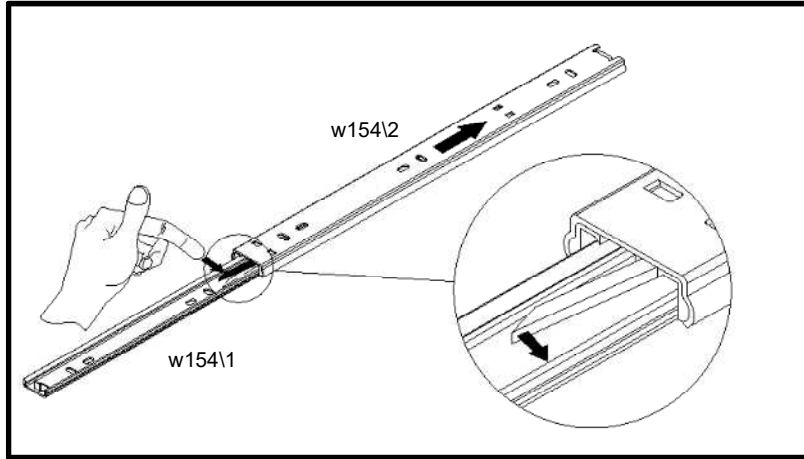


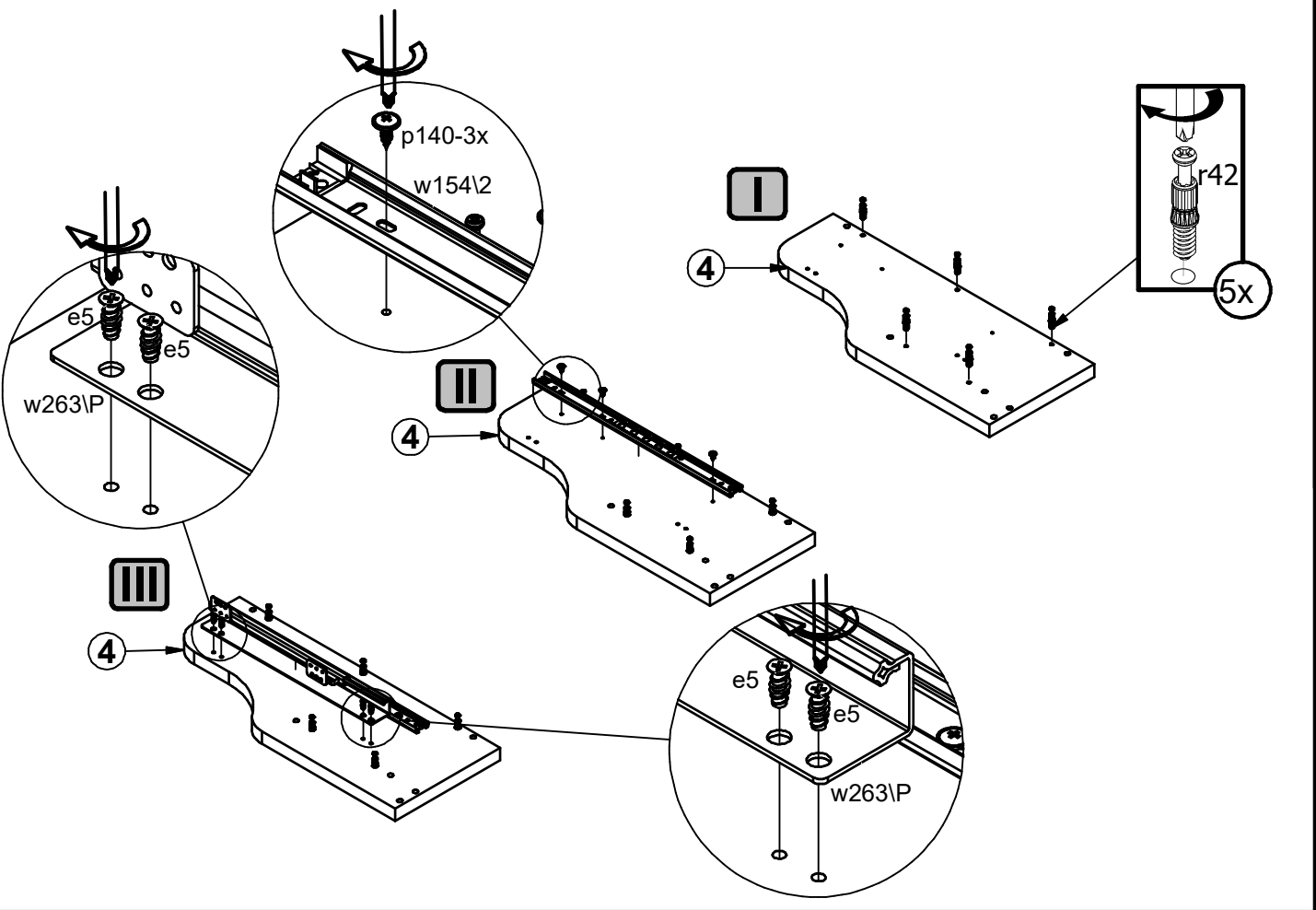
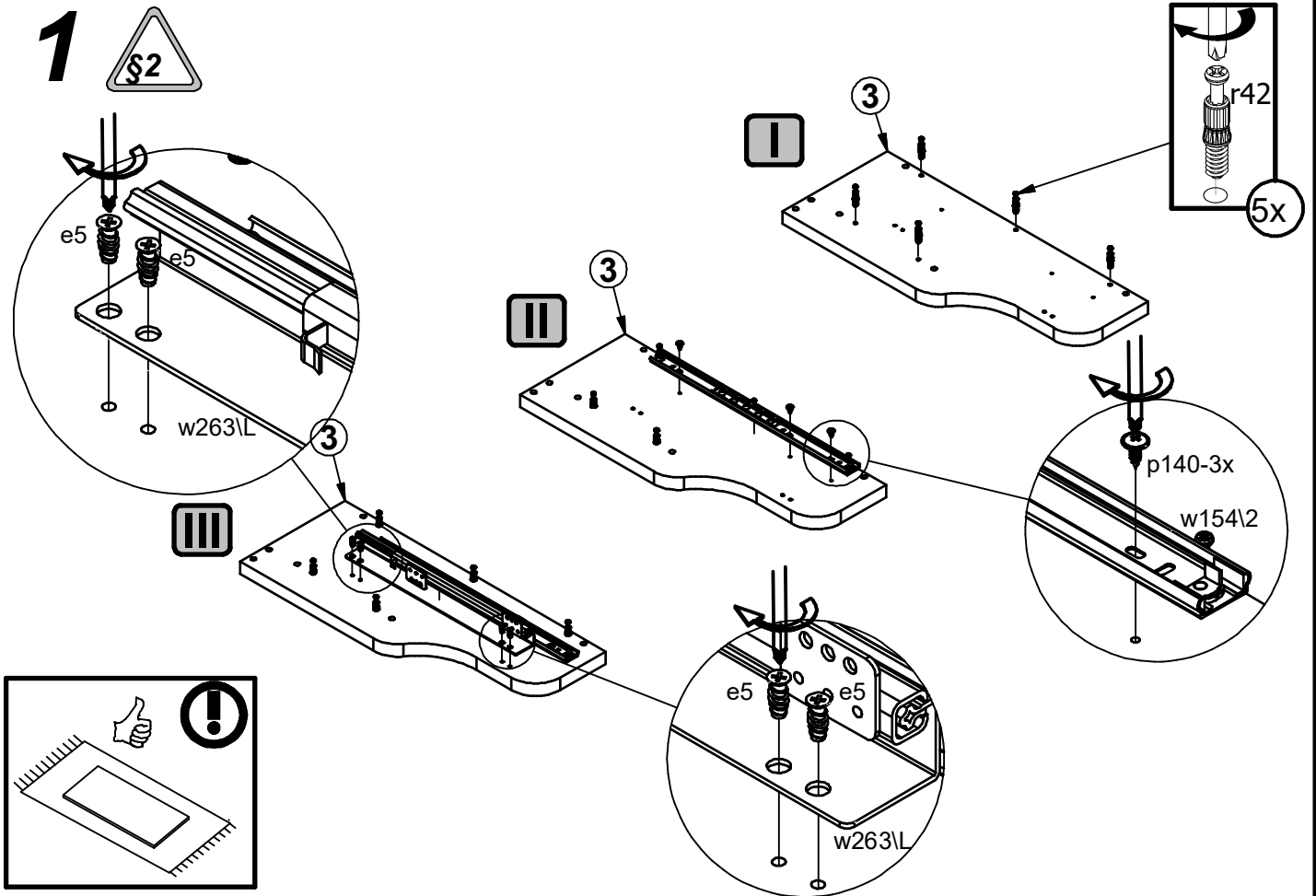


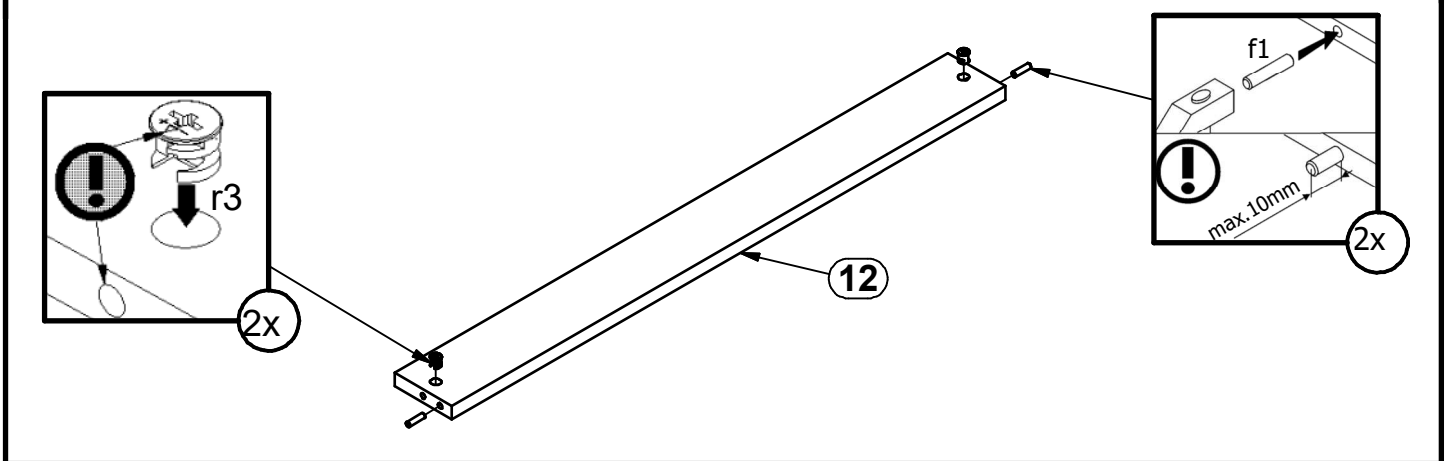
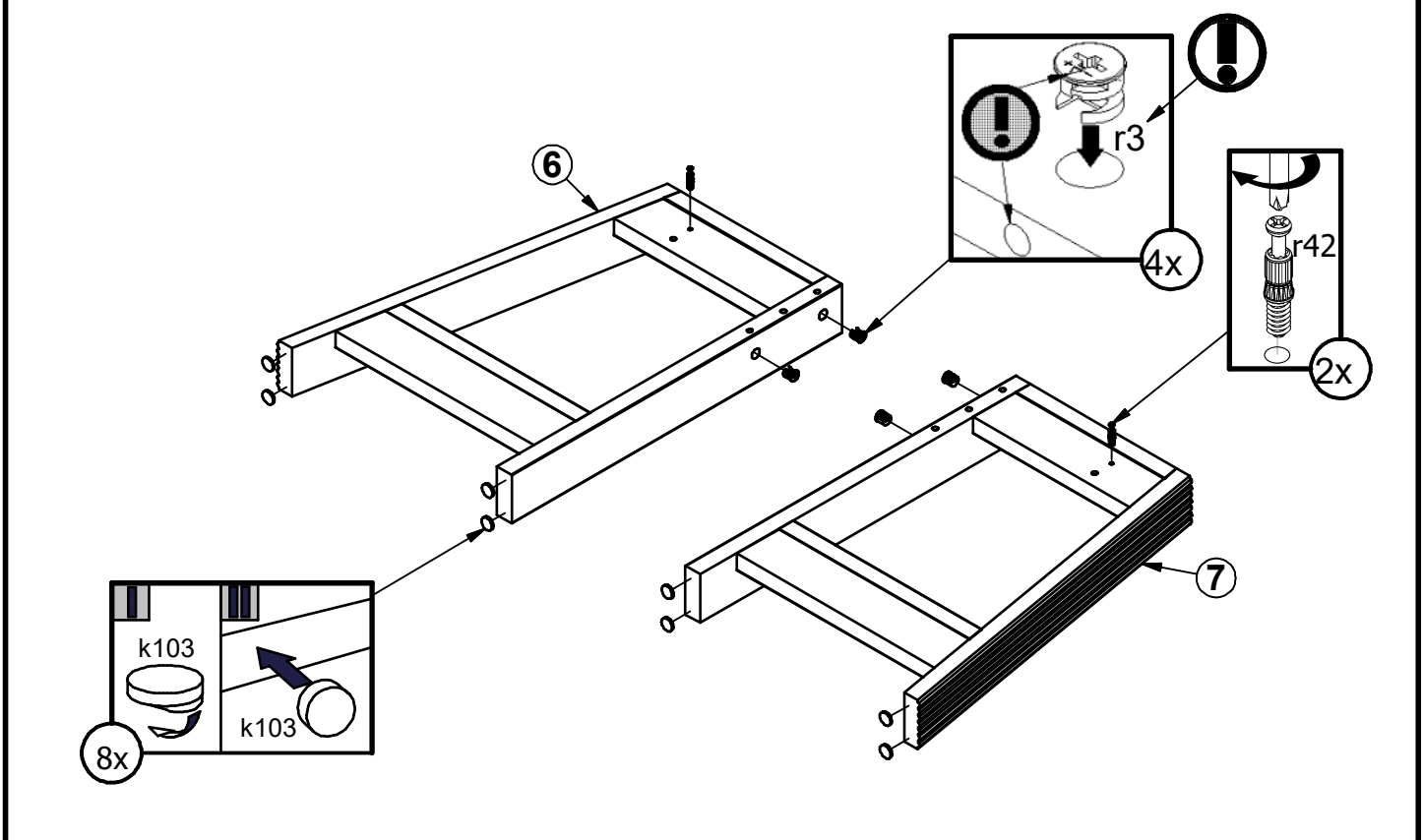
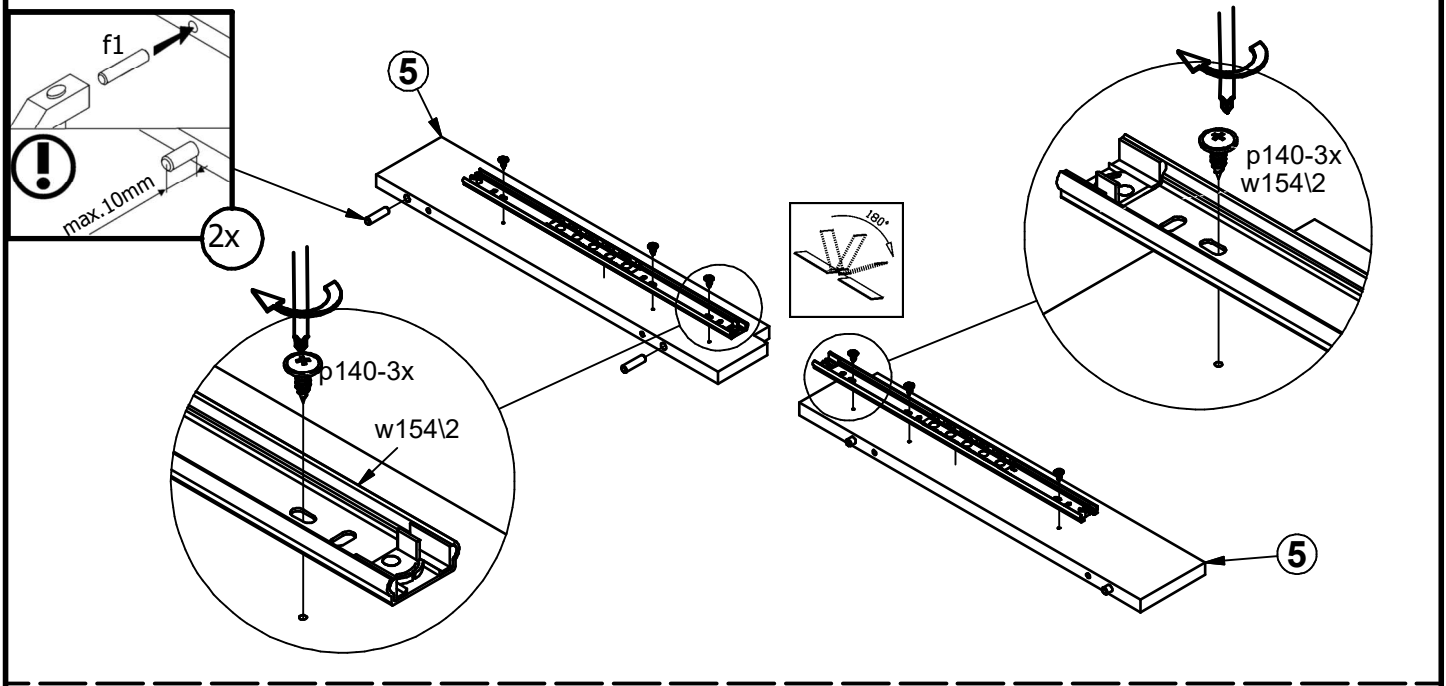
2x c453	4x d41\2	10x Ø7x50 mm e1	8x Ø6,3x13 mm e5	6x Ø7x70 mm e27
4x Ø5x50 mm e32	18x Ø8x30 mm f1	2x Ø8x50 mm f6	4x Ø6x30 mm f9	4x M4x22 mm j30
8x Ø20x3mm k103	2x Ø4x16 mm p19	2x Ø3,5x16 mm p25	2x Ø3,5x10 mm p35	18x Ø3,5x16 mm p38
32x Ø3,5x12mm p140	6x Ø15x12 mm #16 r1	14x Ø15x15 mm #22 r3	4x r10	8x Ø12x10,5 mm #12 r15
20x r42	2x Ø22,3x10,1mm s119	2x 450 mm t38	4x 400 w1542	4x 400 w1541
1x w263\p	1x w263\l	1x z1	1x Ø10x50 mm f35	1x Ø 5x70 mm p132

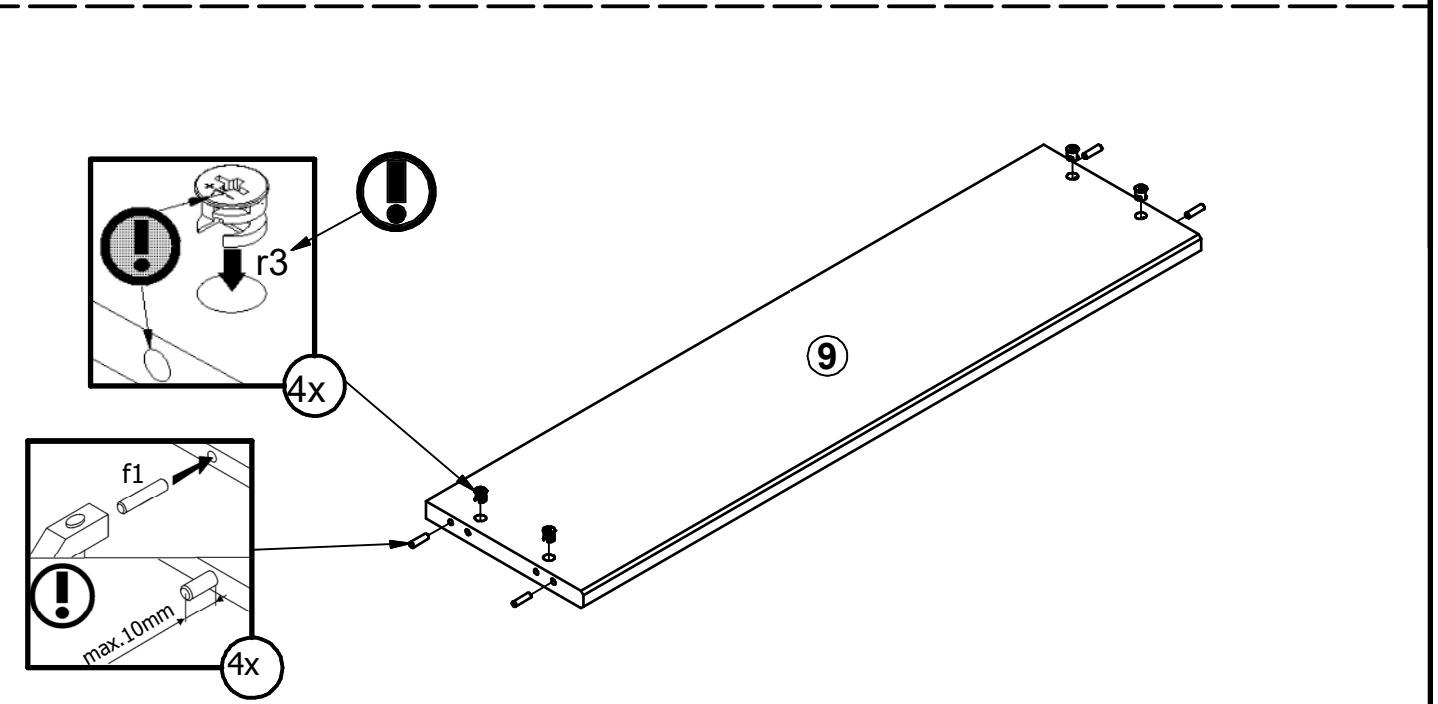
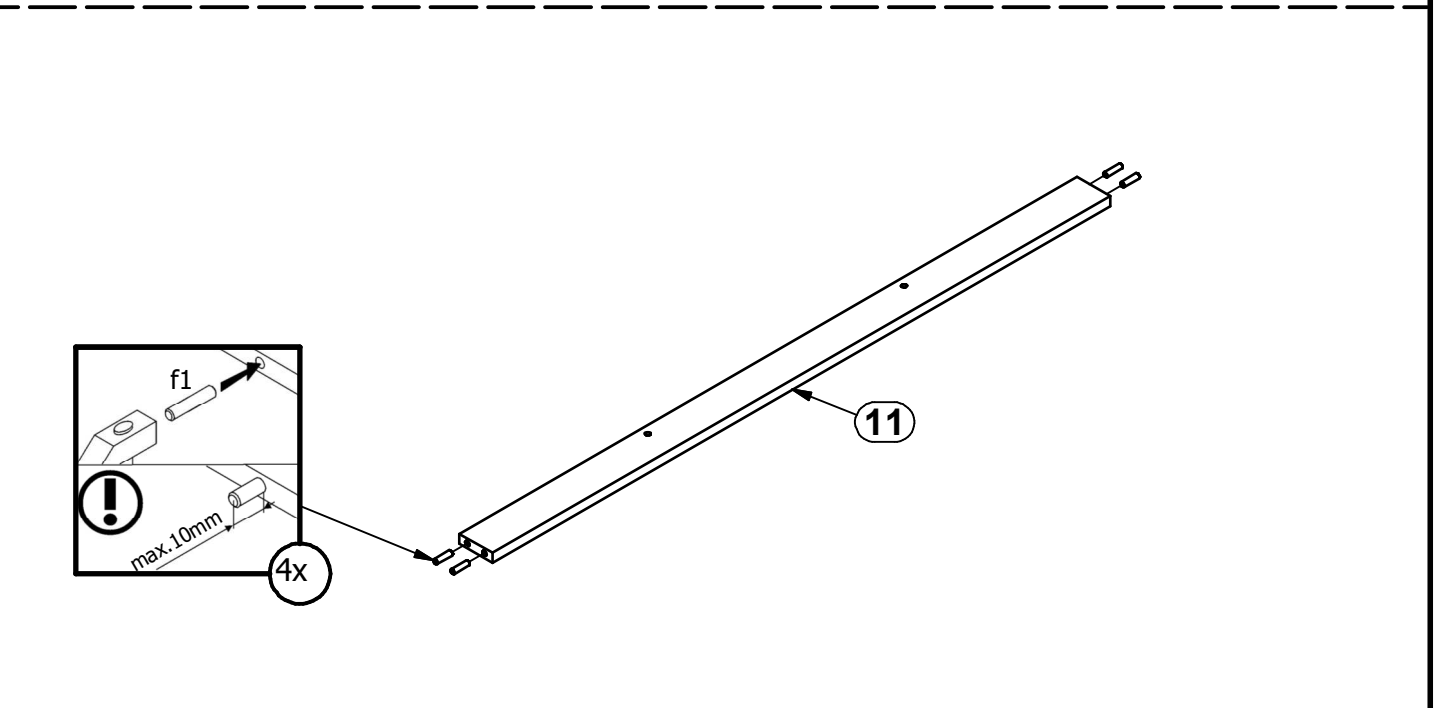
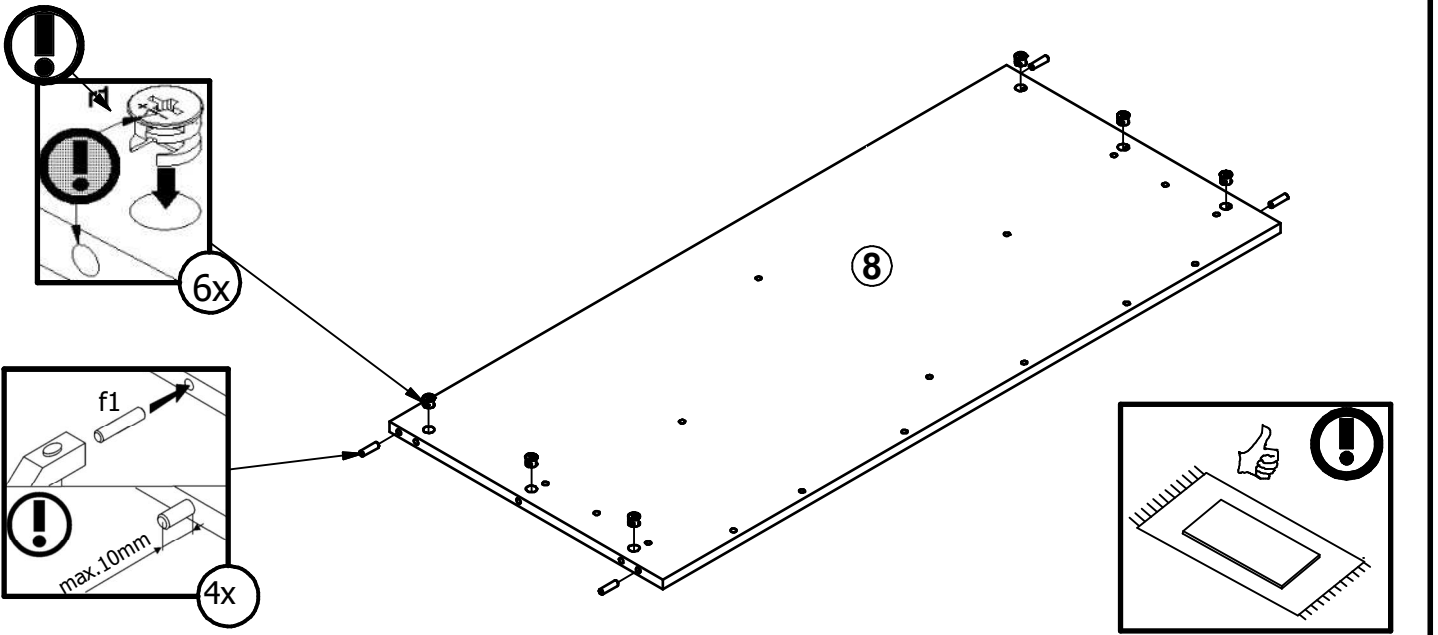
A	B	C1	C2	C3	D
1	S530-0001	573	90	16	1/3
2	S530-0002	573	90	16	1/3
3	S530-1001	530	213	22	1/3
4	S530-1002	530	213	22	1/3
5	S530-1003	97	511	16	1/3
6	S530-1004	628	446	80	3/3
7	S530-1005	628	446	80	3/3
8	S530-3001	1156	512	16	2/3
9	S530-3002	1156	295	28	1/3
10	S530-3003	1148	496	22	2/3
11	S530-4001	1156	62	16	1/3
12	S530-4002	1036	107	22	2/3
13	S530-4501	1036	200	22	2/3
14	S530-5001	1149	44	32	1/3
15	S530-5301	450	65	12	1/3
16	S530-5302	450	65	12	1/3
17	S530-5701	525	52	12	1/3
18	WSP-9378	535	458	2,5	2/3

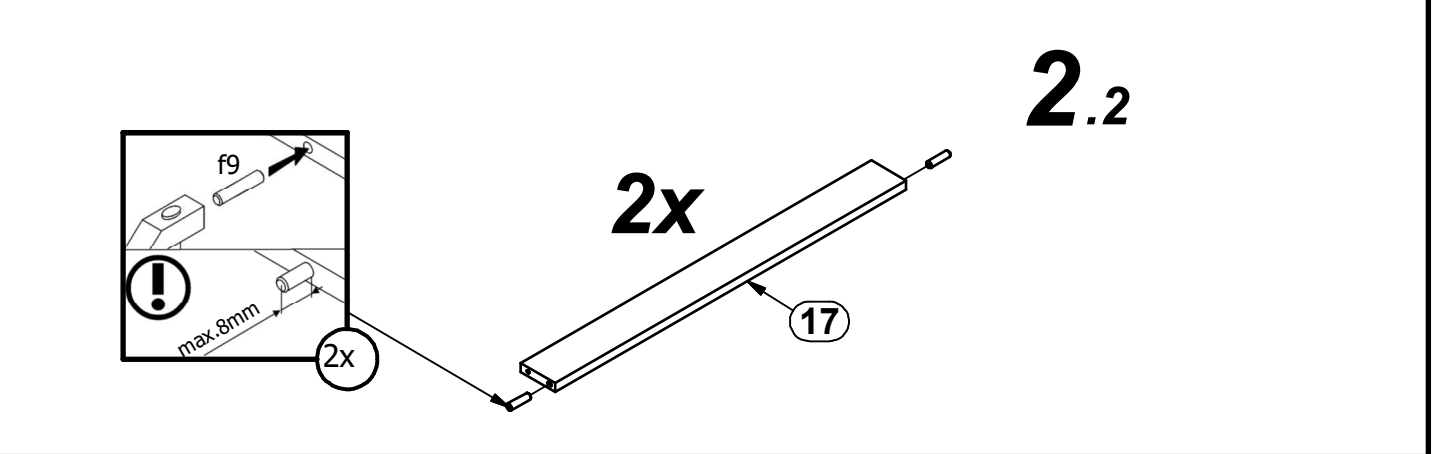
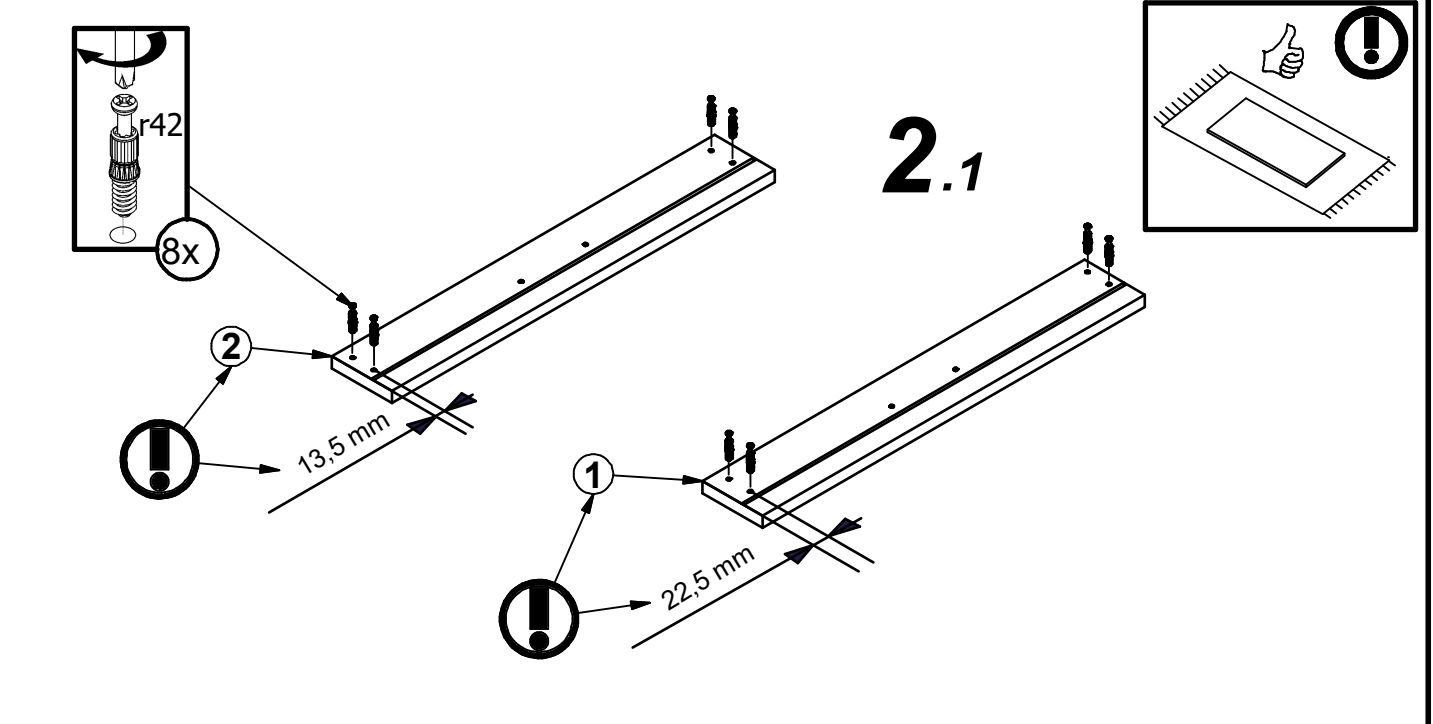
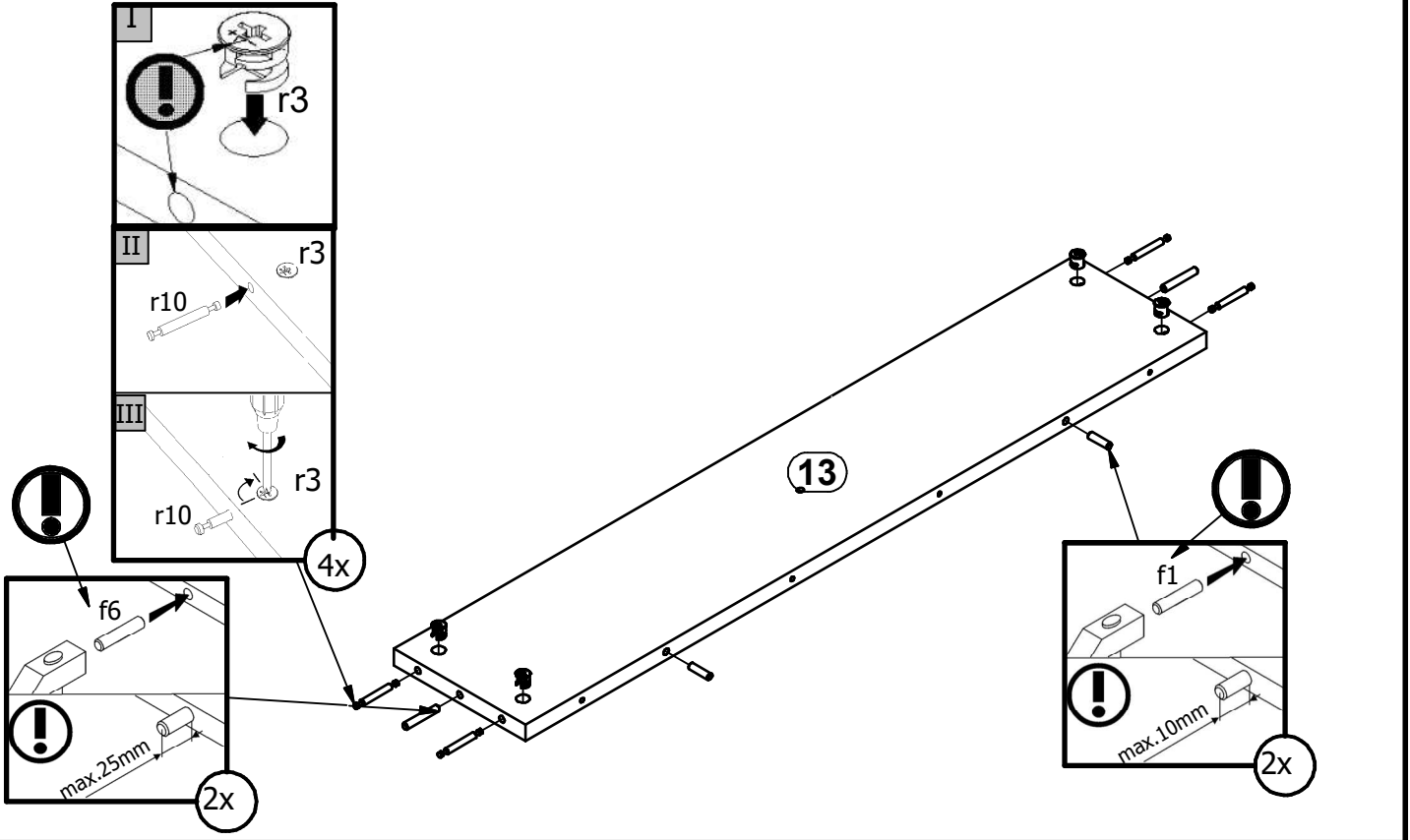


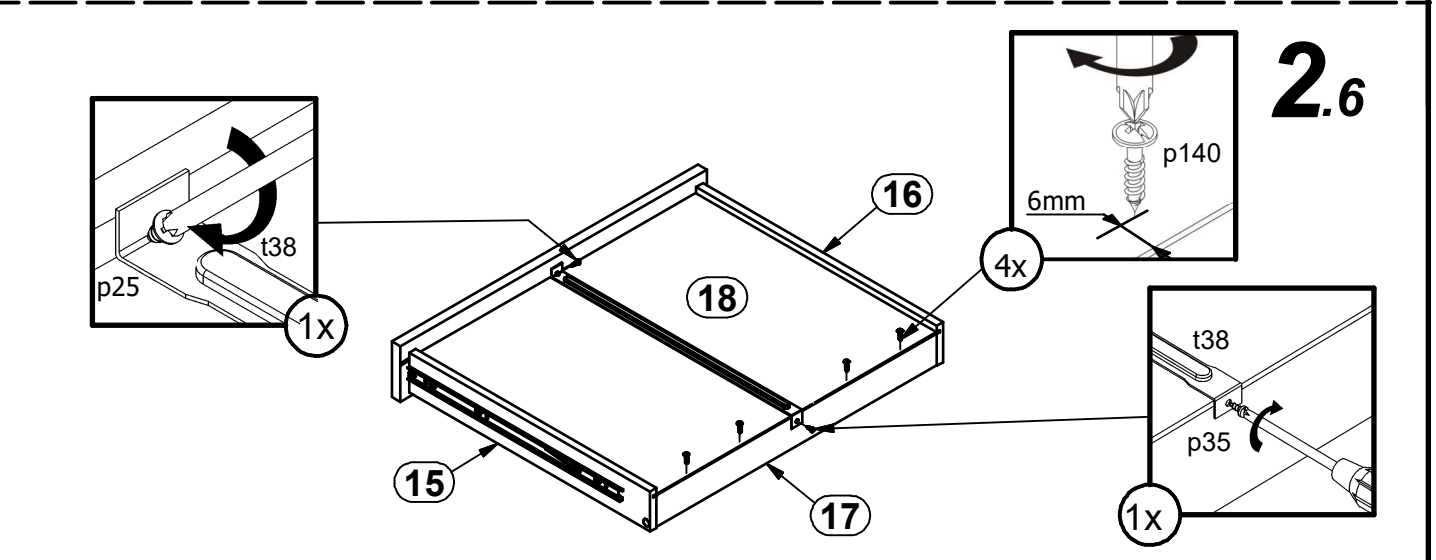
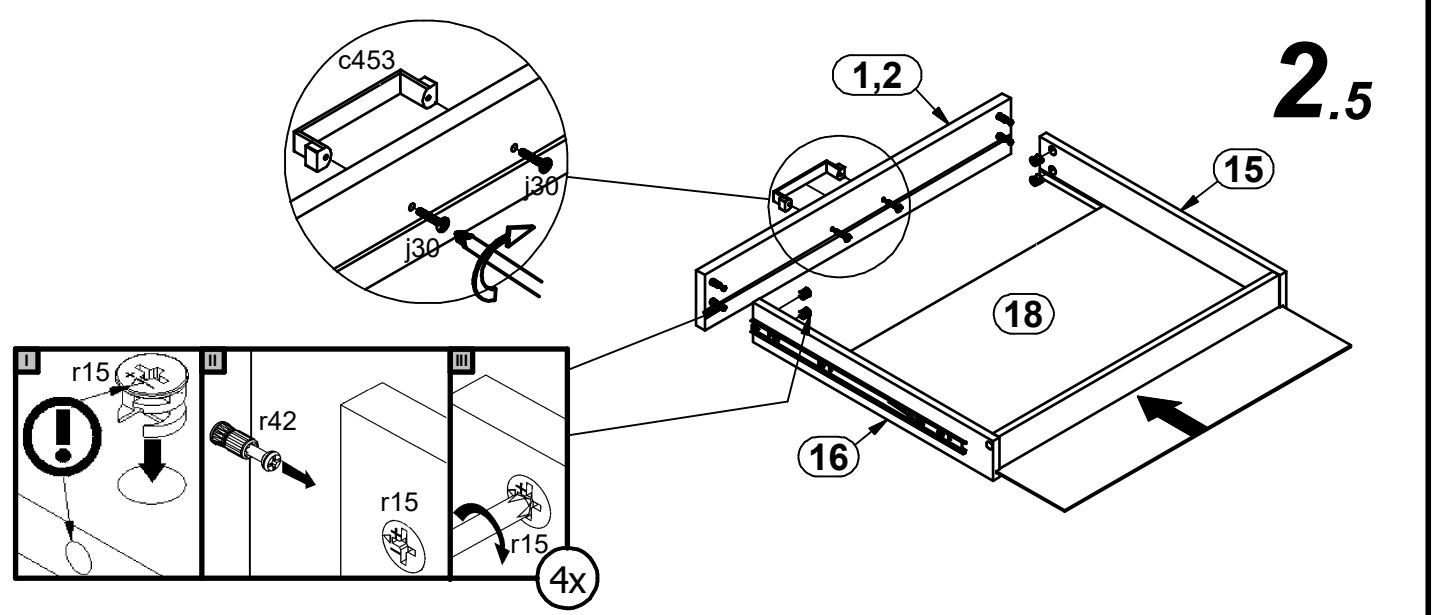
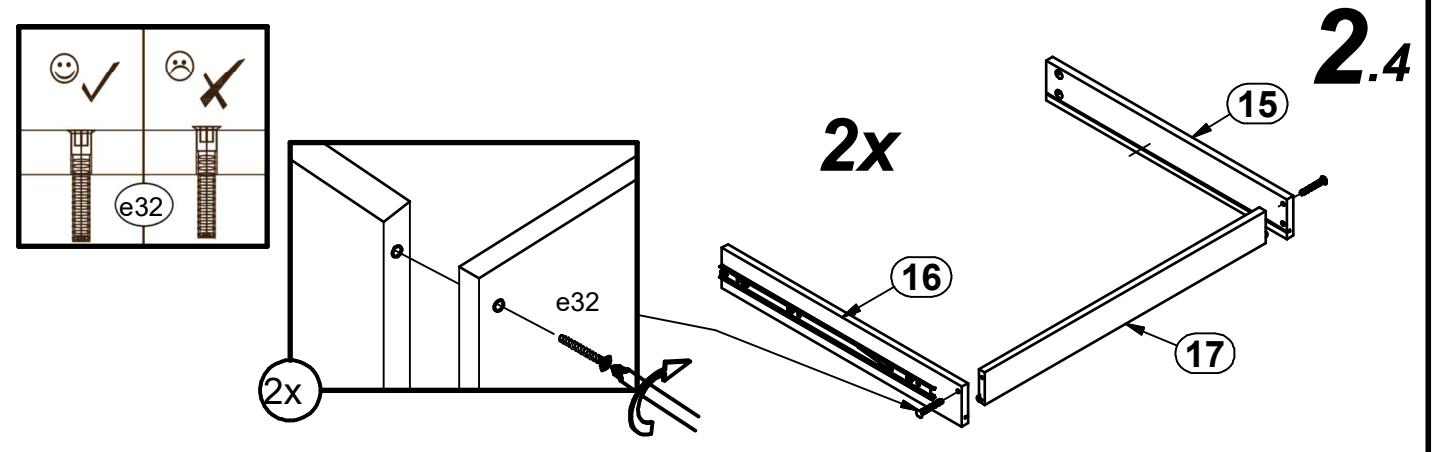
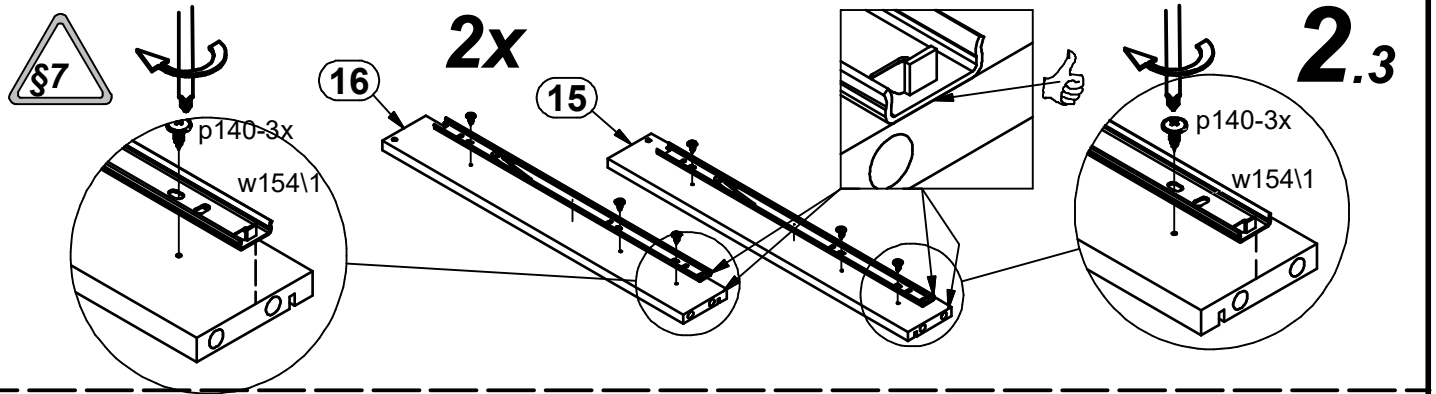




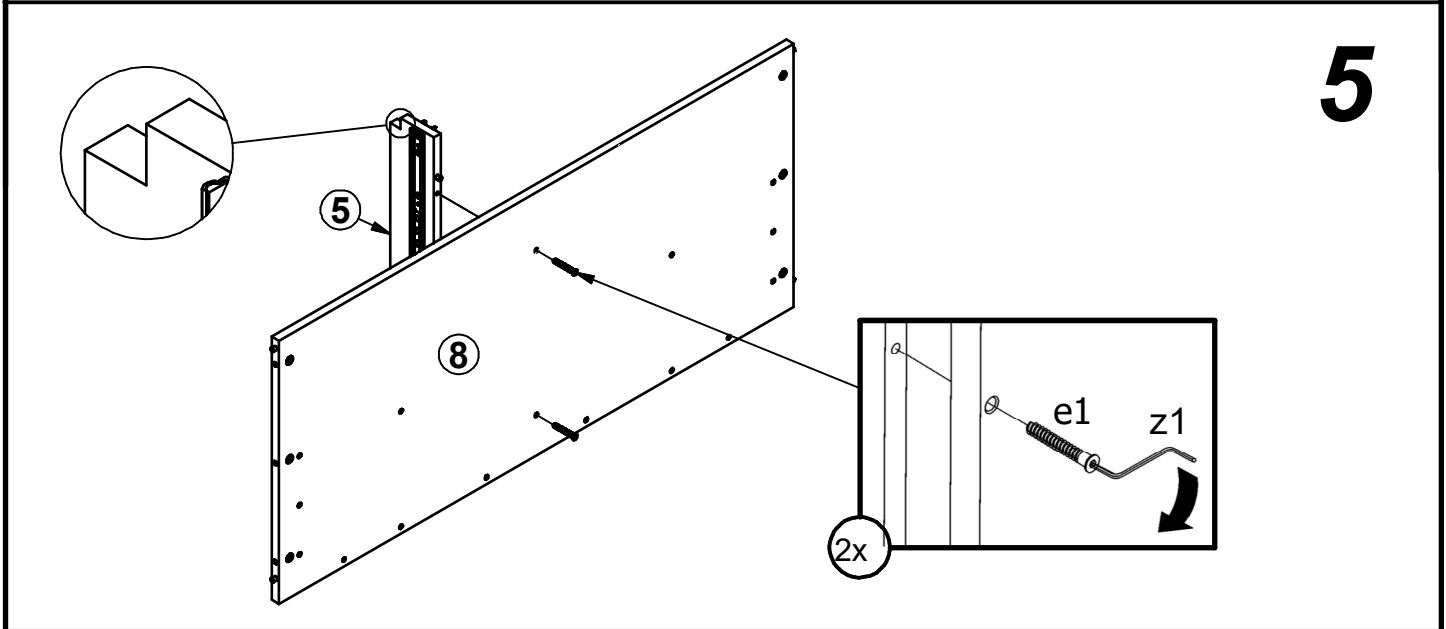
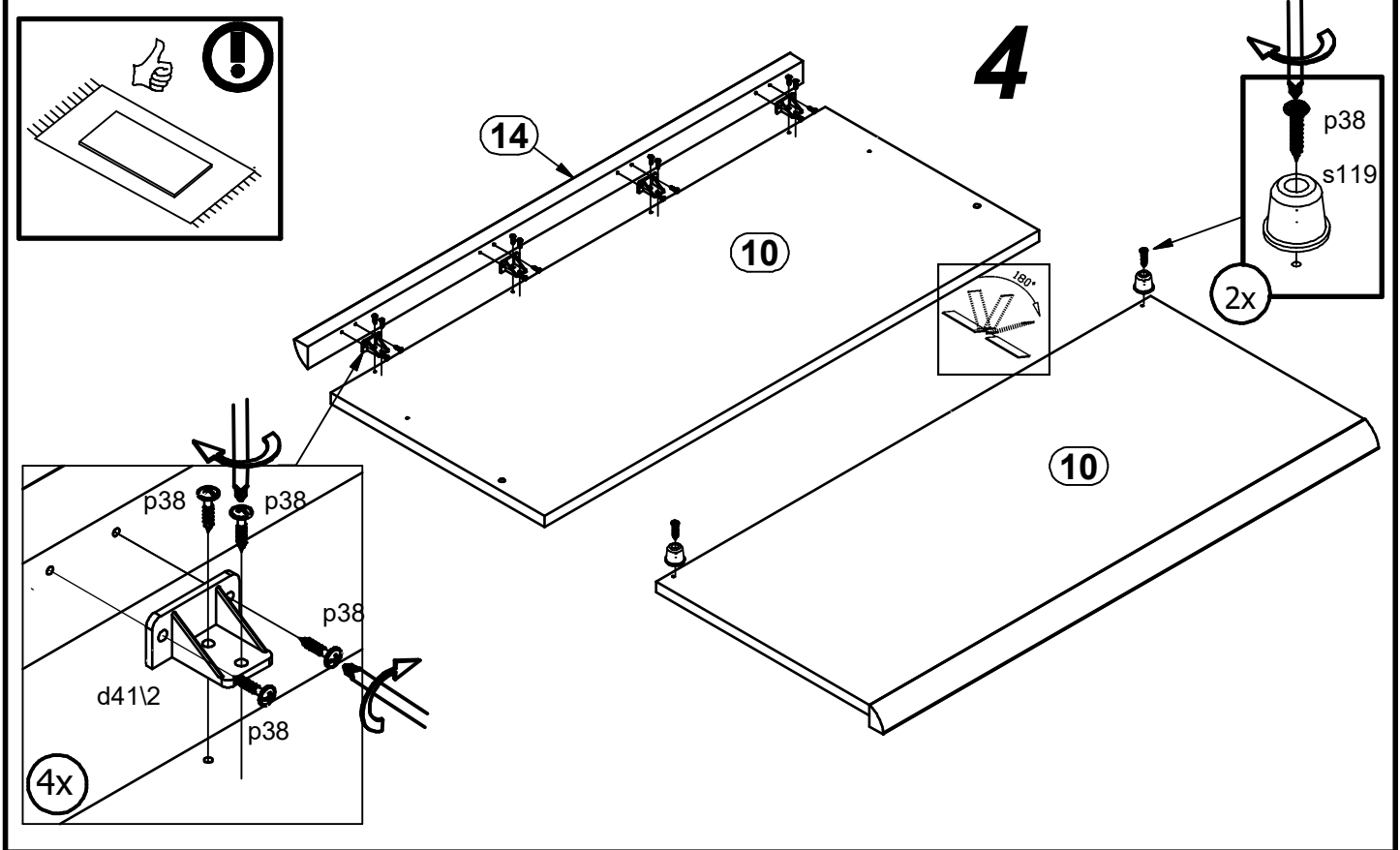
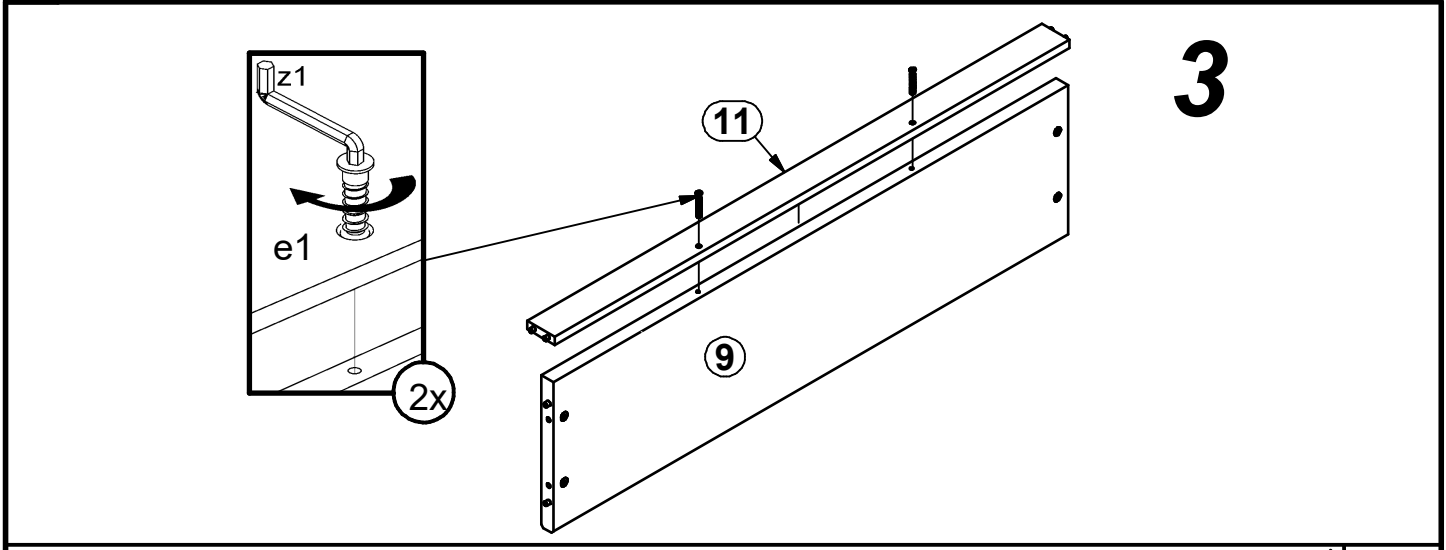




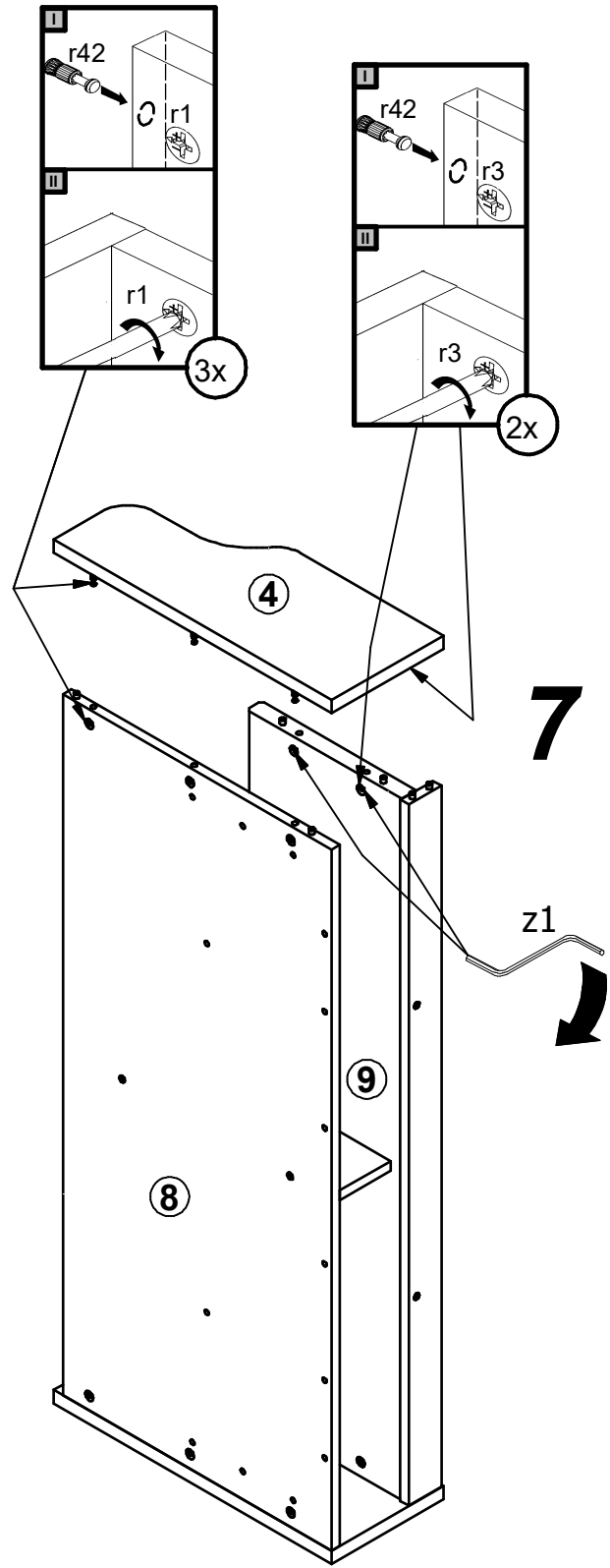
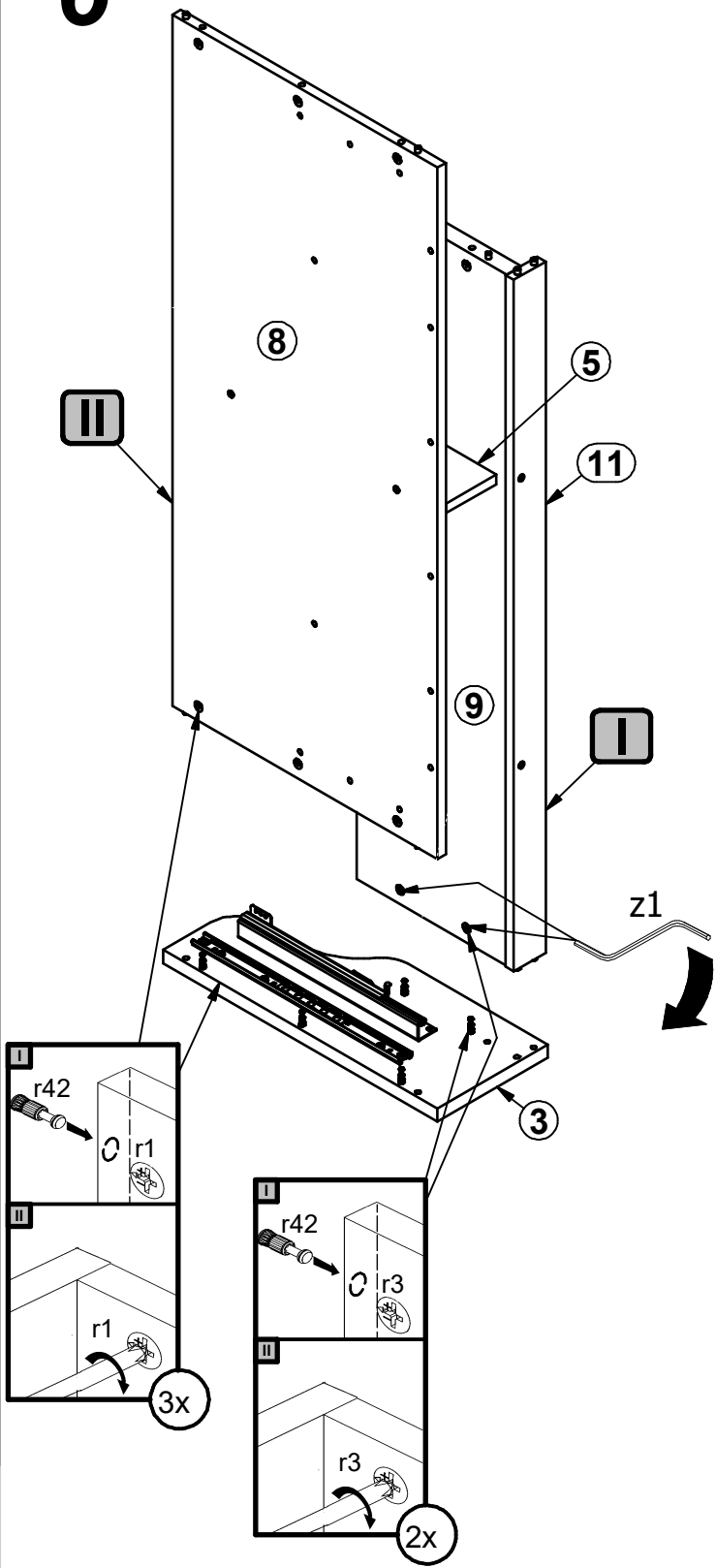




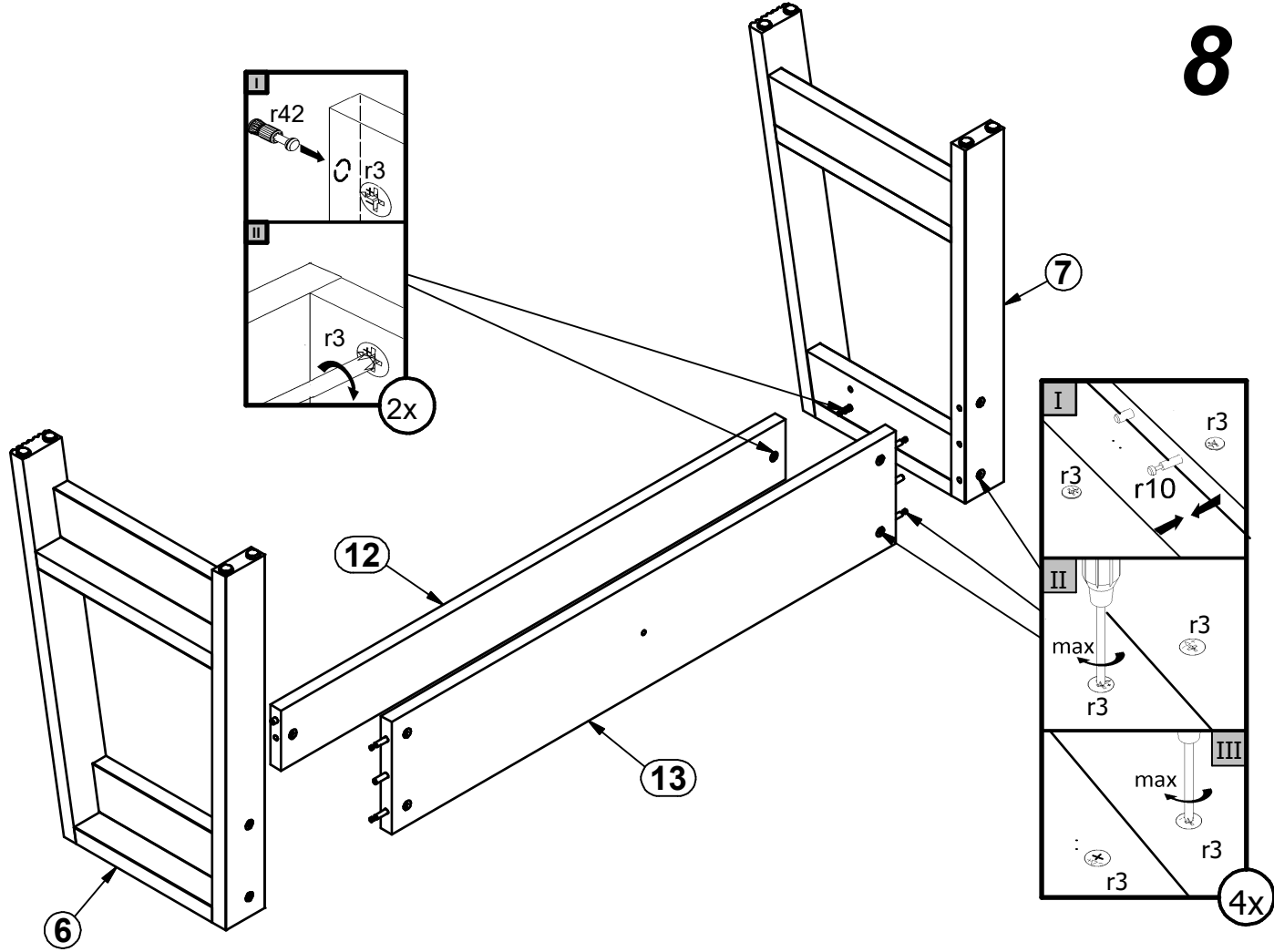




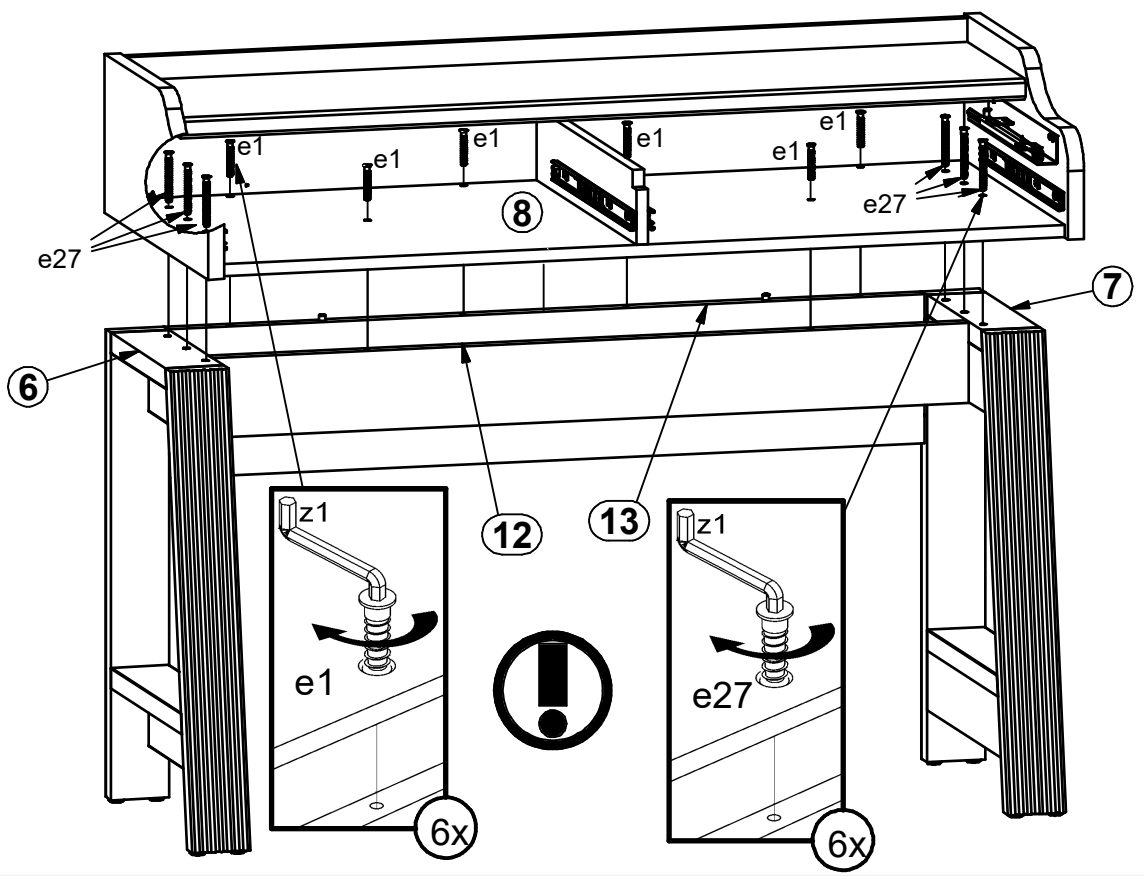
6



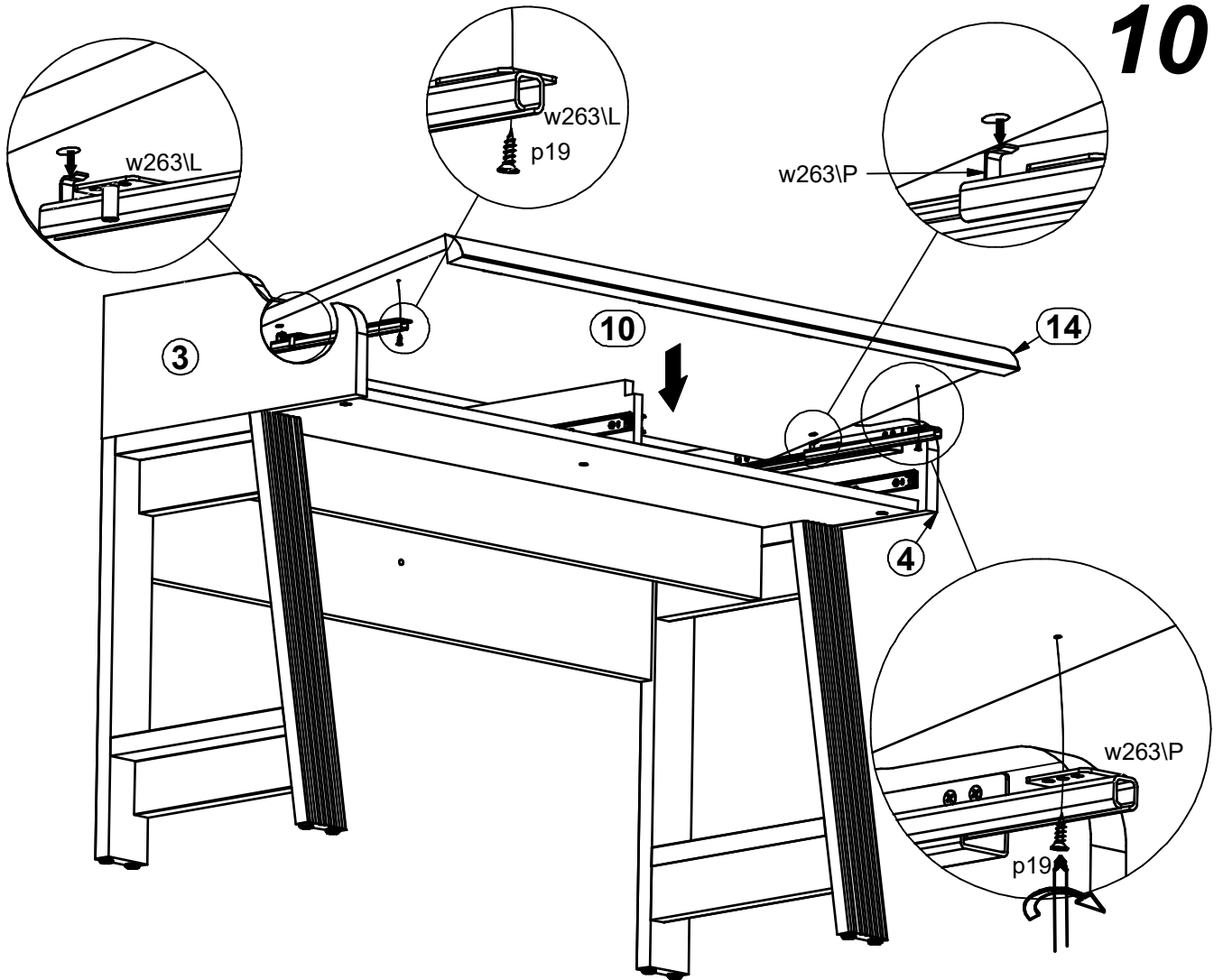
8



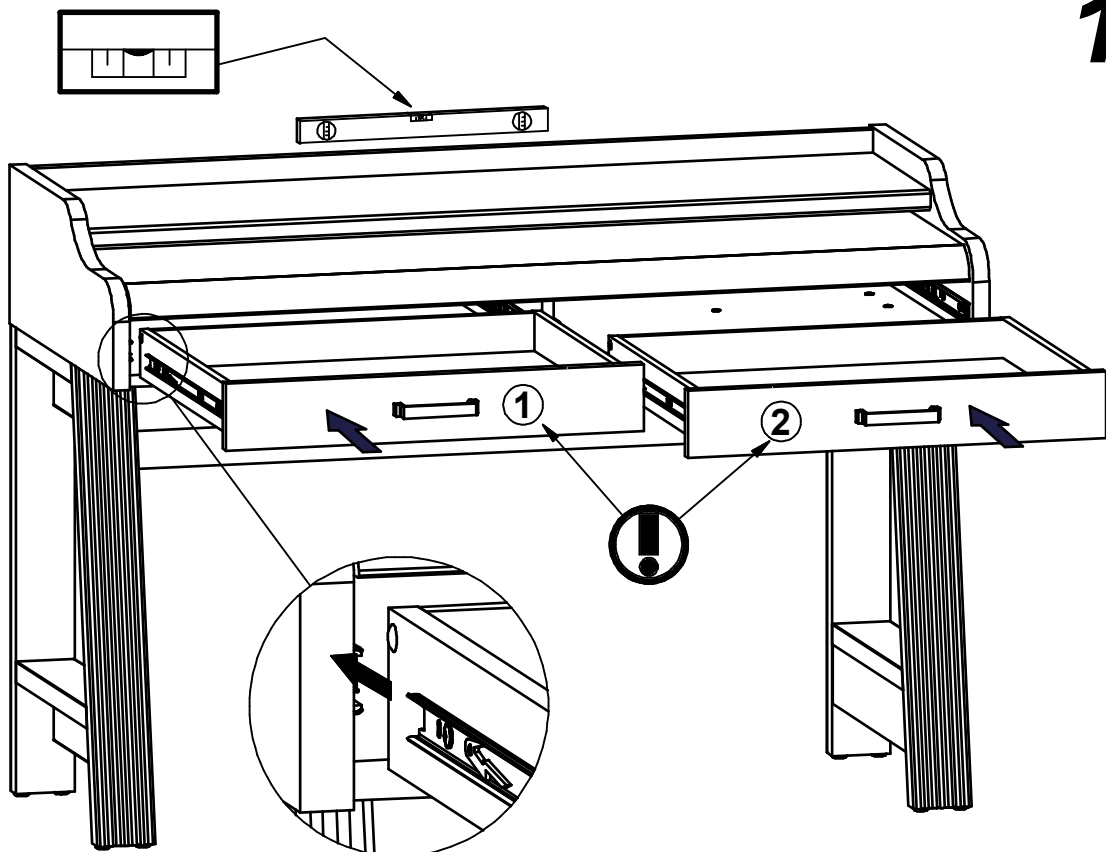
9



10



11



# 12

