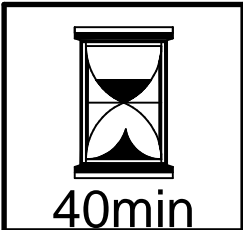
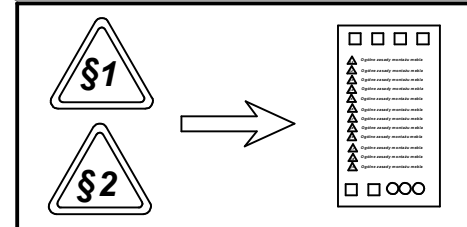
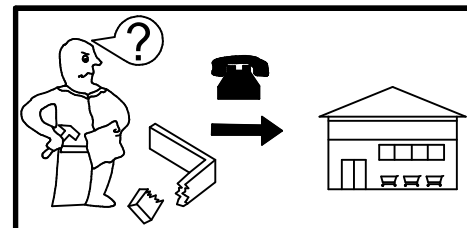
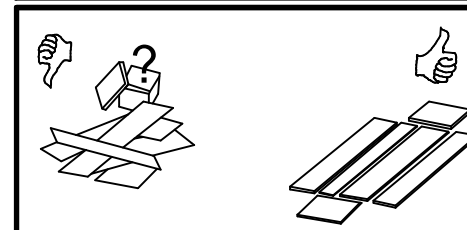
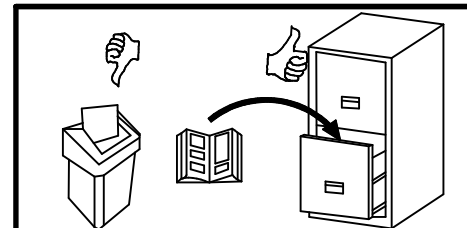
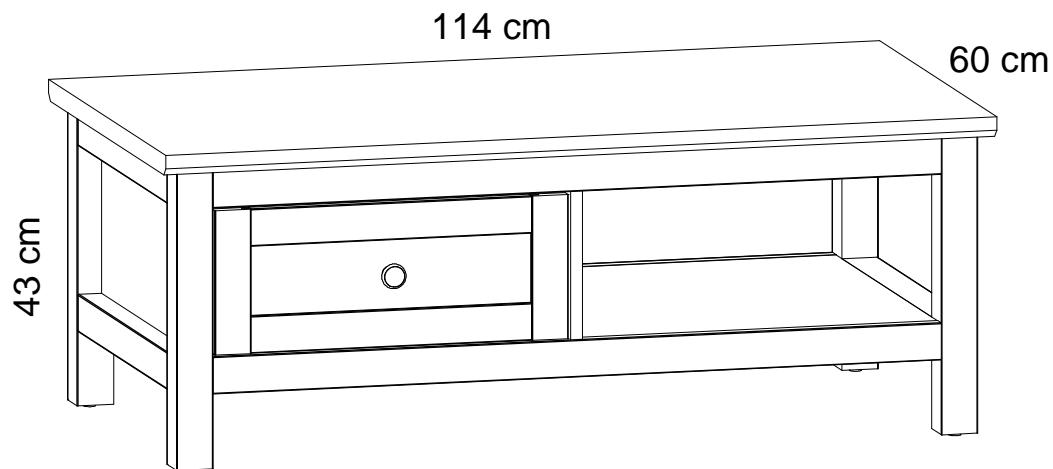
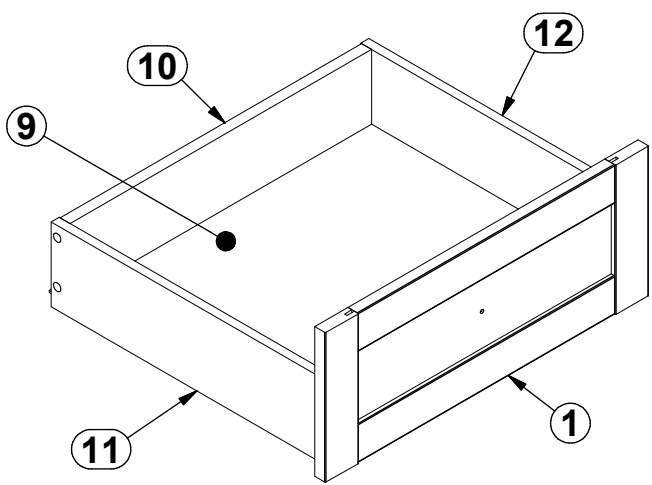
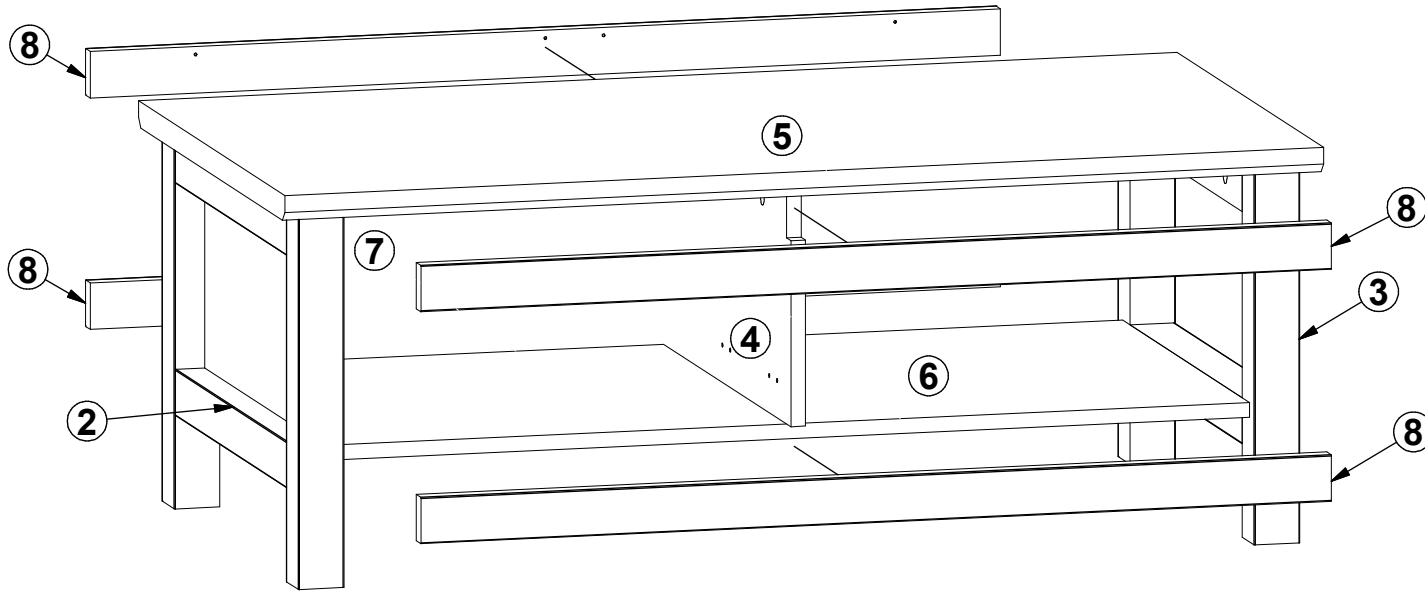


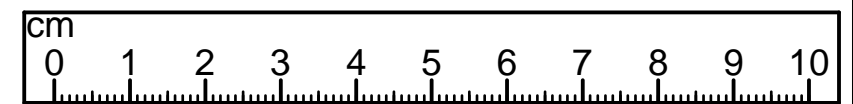
Zandiara

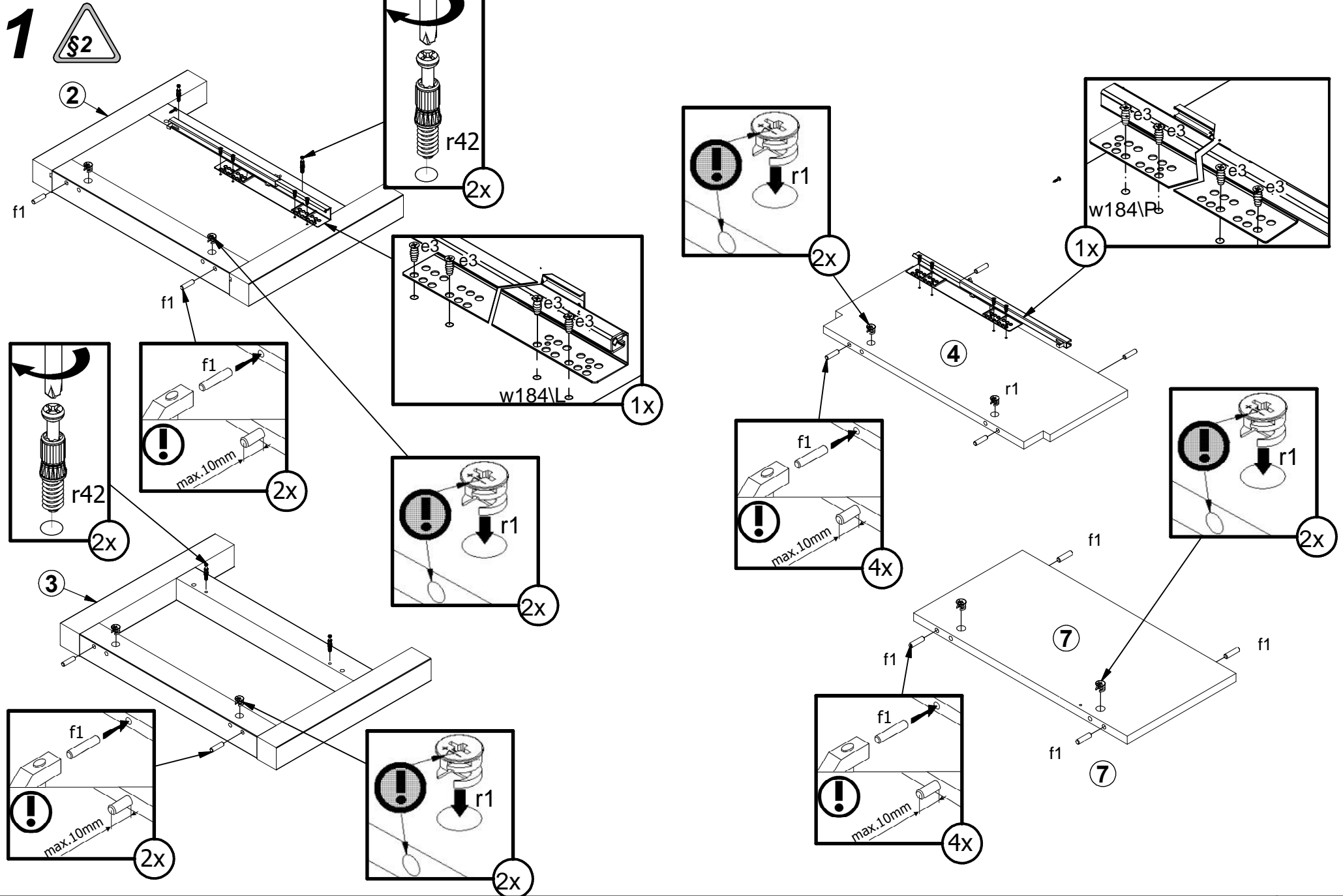


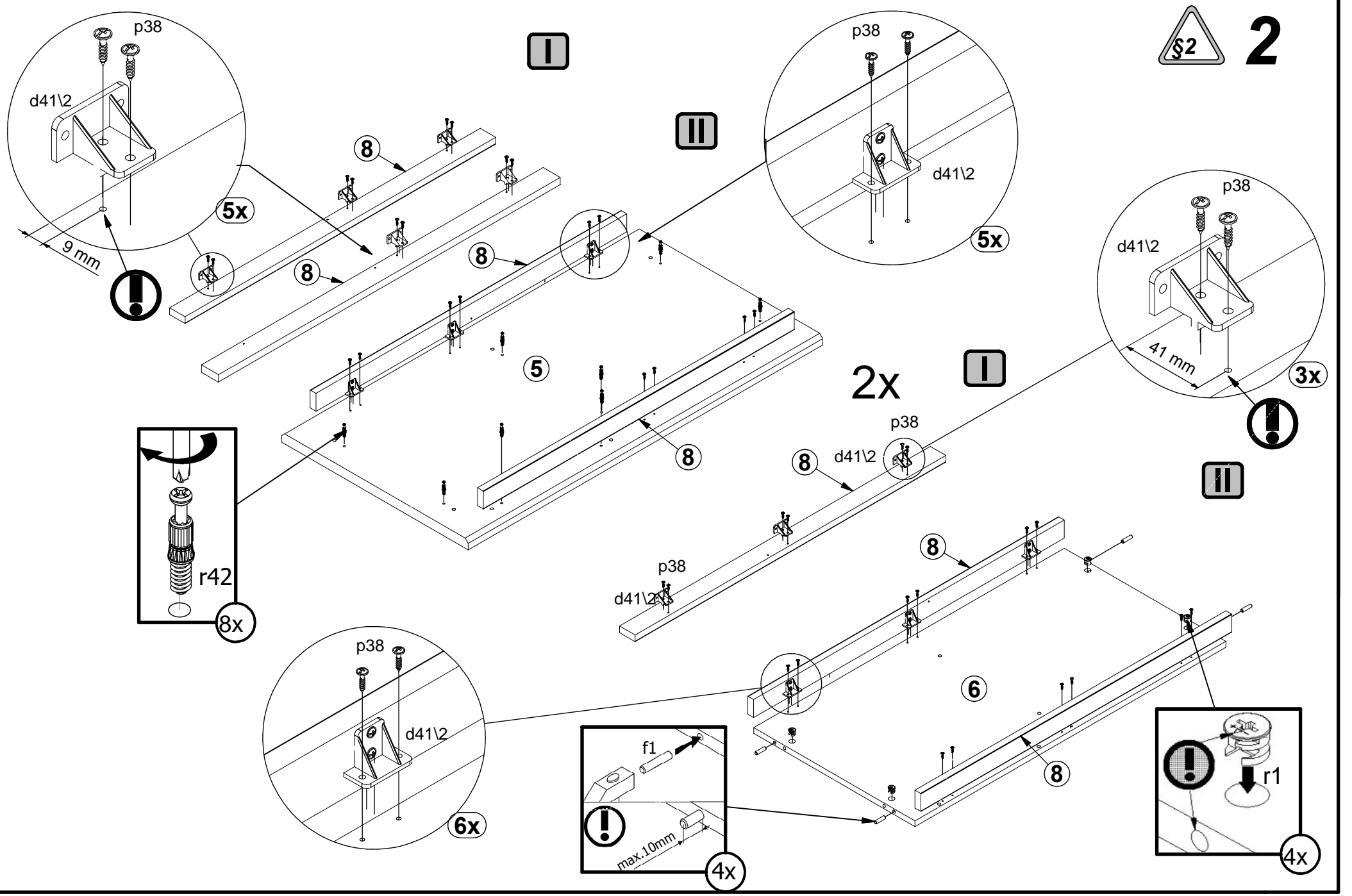
A	B	C1	C2	C3	D
1	S503-0014	485	194	16	2/2
2	S503-1025	400	559	50	1/2
3	S503-1026	400	559	50	1/2
4	S503-1028	250	555	16	2/2
5	S503-2008	1140	600	28	2/2
6	S503-3017	999	519	16	1/2
7	S503-4303	250	491	16	2/2
8	S503-5012	999	50	19	1/2
9	WSP-9377	462	408	2,5	22
10	ZQ6-5191	452	97	15	2/2
11	ZQ6-521	400	110	12	2/2
12	ZQ6-522	400	110	12	2/2



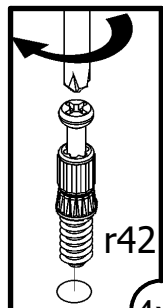
11x d41\2	4x Ø7x50 mm e1	1x C488	8x Ø6x13 mm e3
48x Ø3.5x16 mm p38	16x Ø8x30 mm f1	4x Ø6.5x40 mm f25	4x k1
1x Ø4x16 mm p131	12x Ø15x12 mm #16 r1	4x Ø12x10.5 mm #12 r15	2x Ø2.9x16 mm p55
	1x 400 mm w184\P	16x 20\11 r42	1x 400 mm w184\L
		1x z1	1x Ø4x28 mm p94



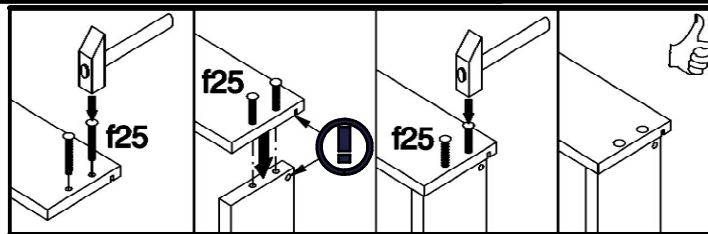
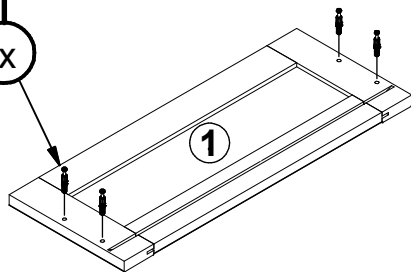




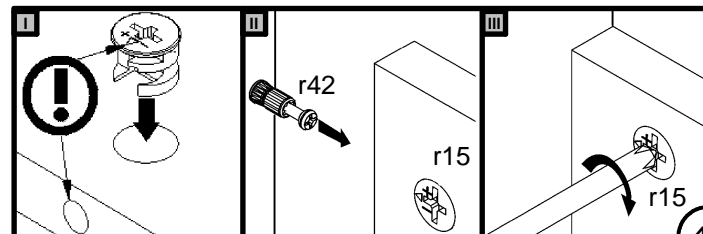
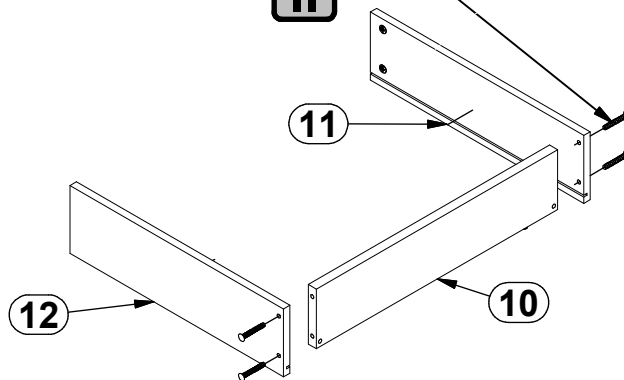
3



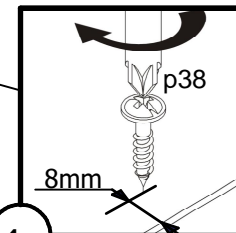
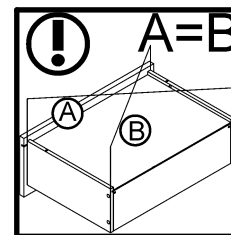
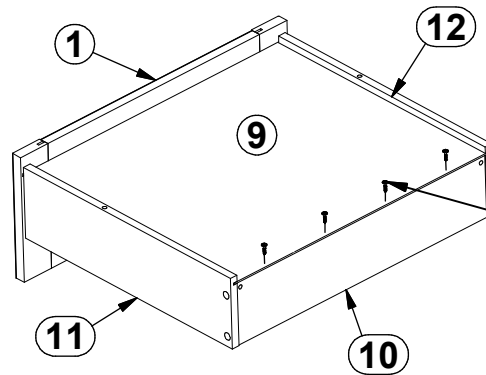
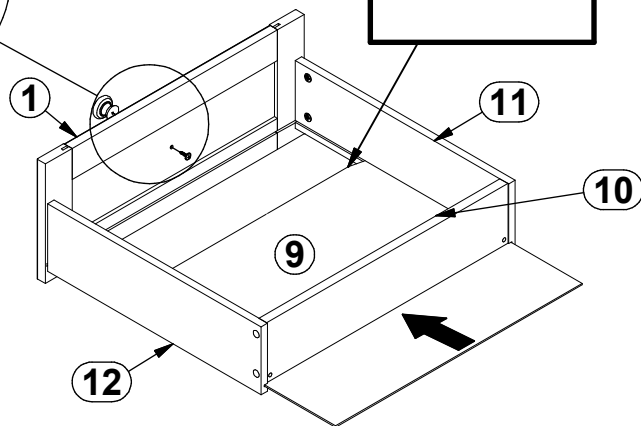
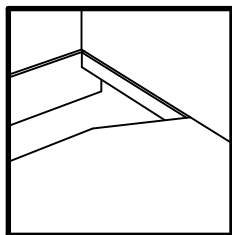
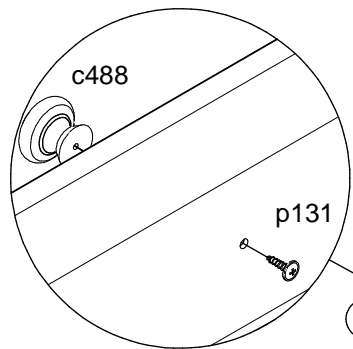
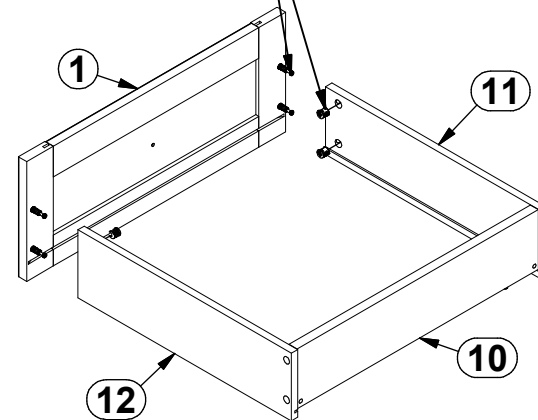
4x



4x



4x

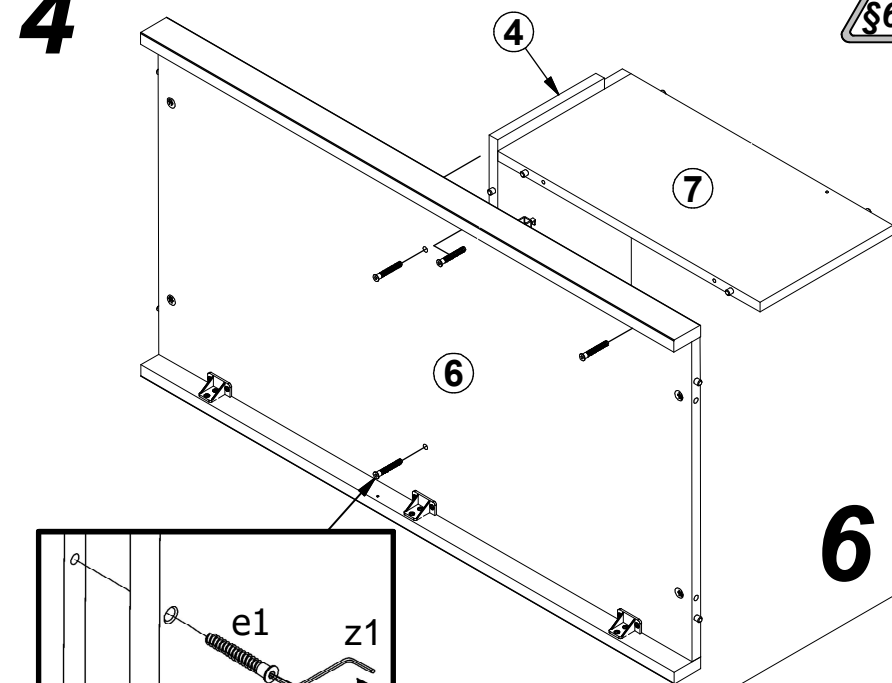


4x

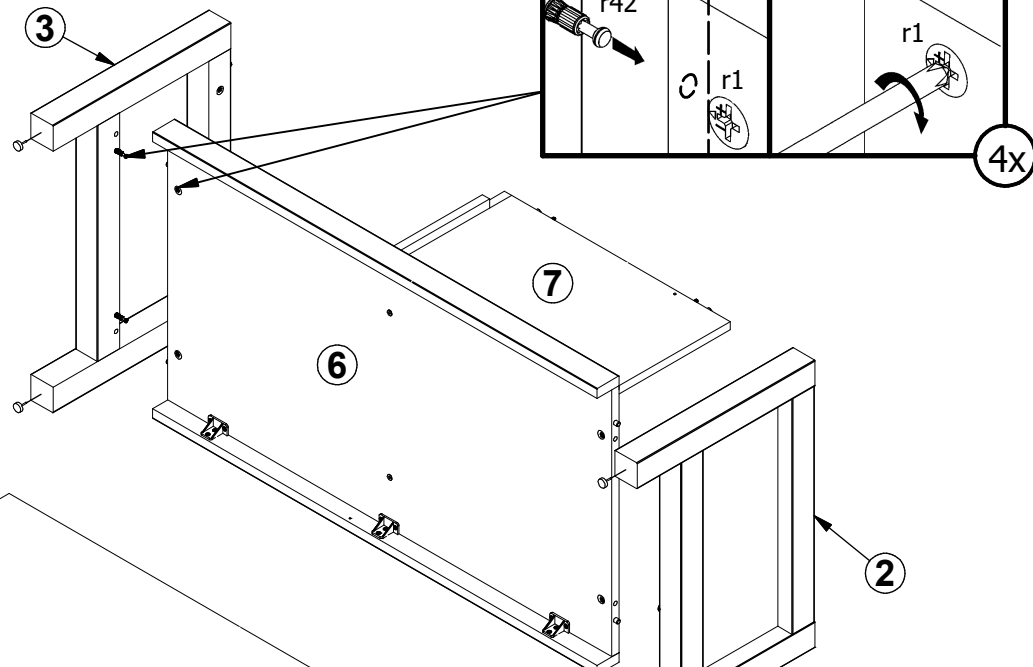
4



5

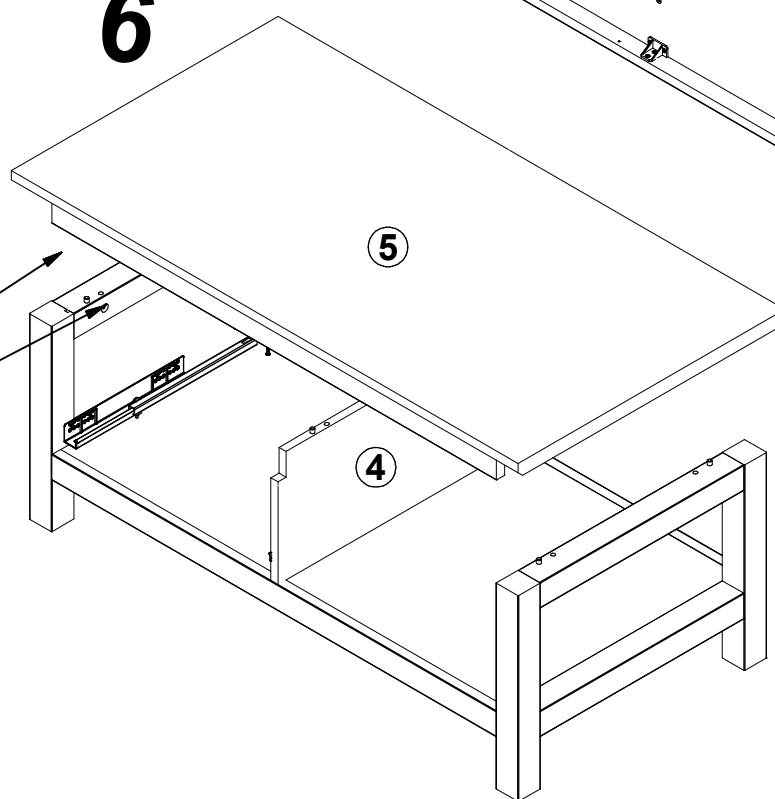


4x

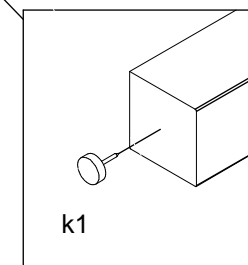


4x

6

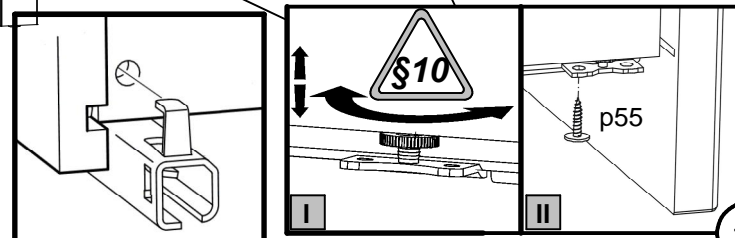
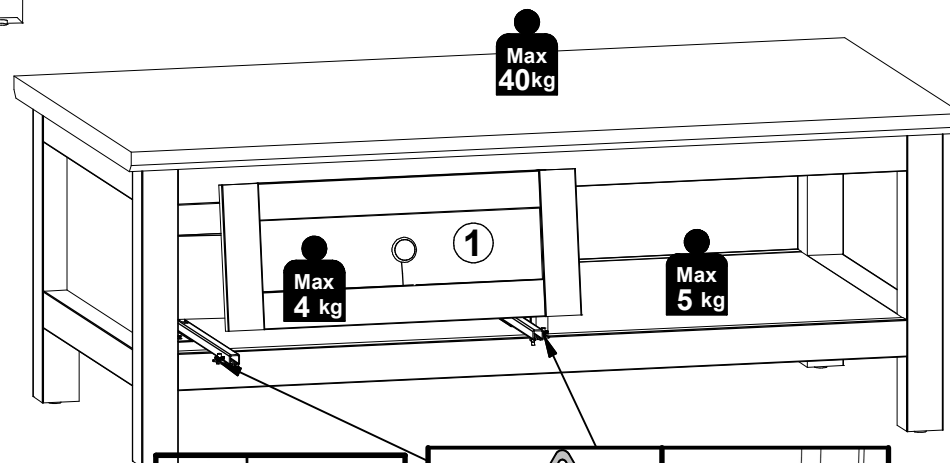
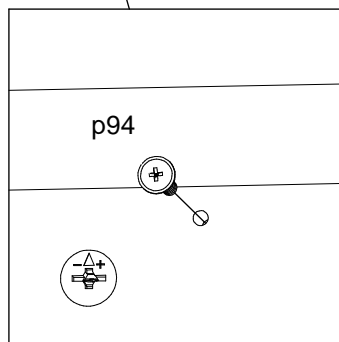
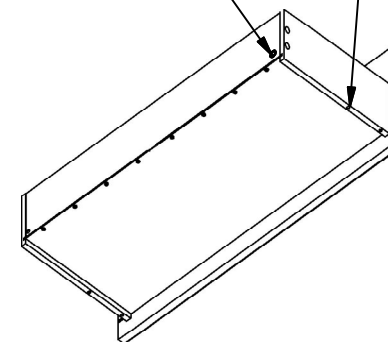
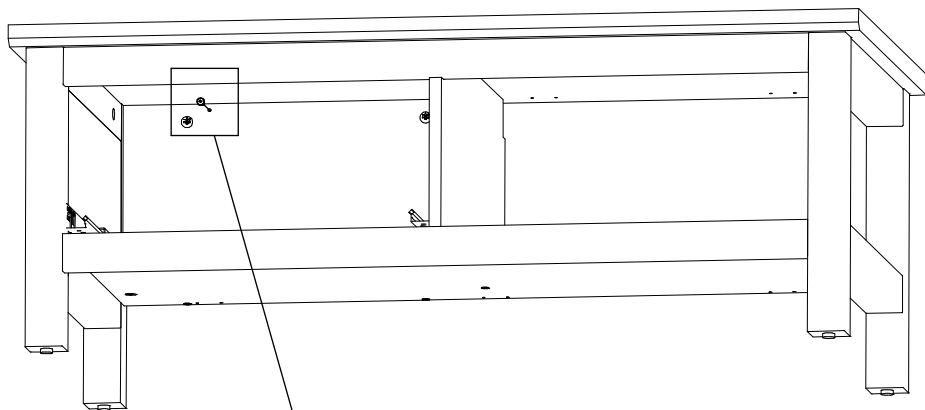
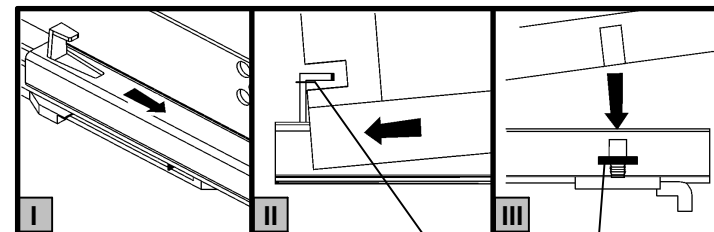


8x



4x

7



1x