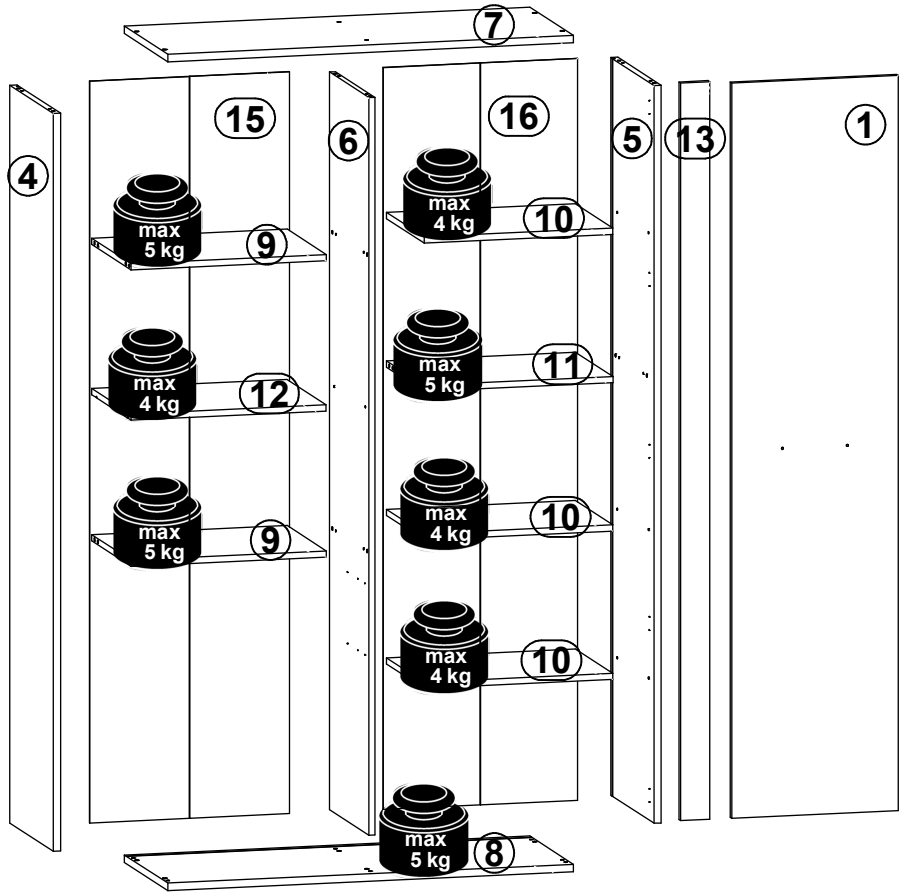
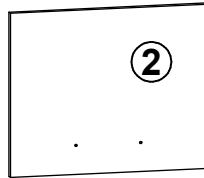
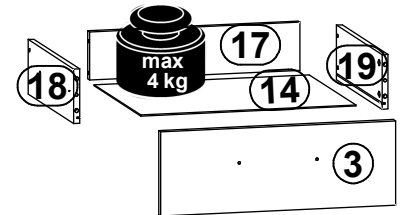
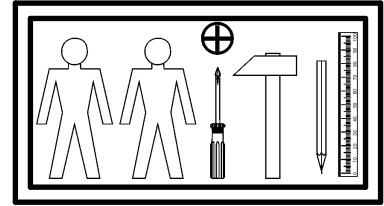
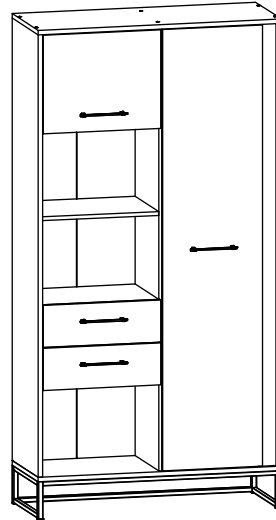


A

LUTON

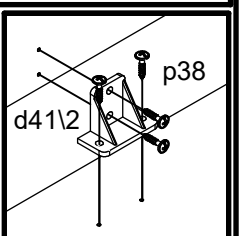
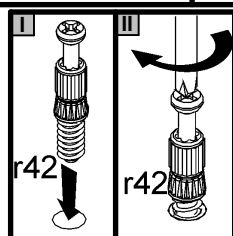
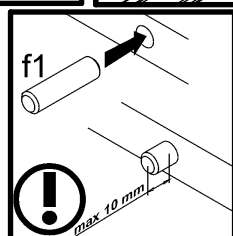
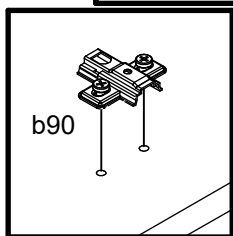
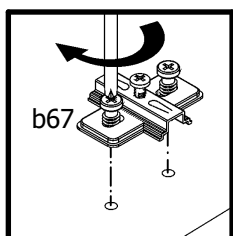
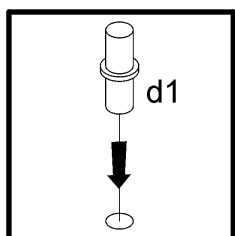
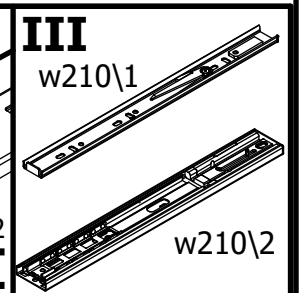
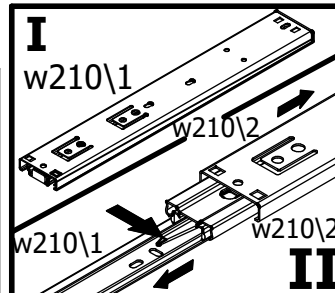
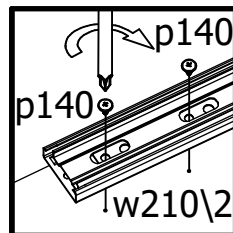
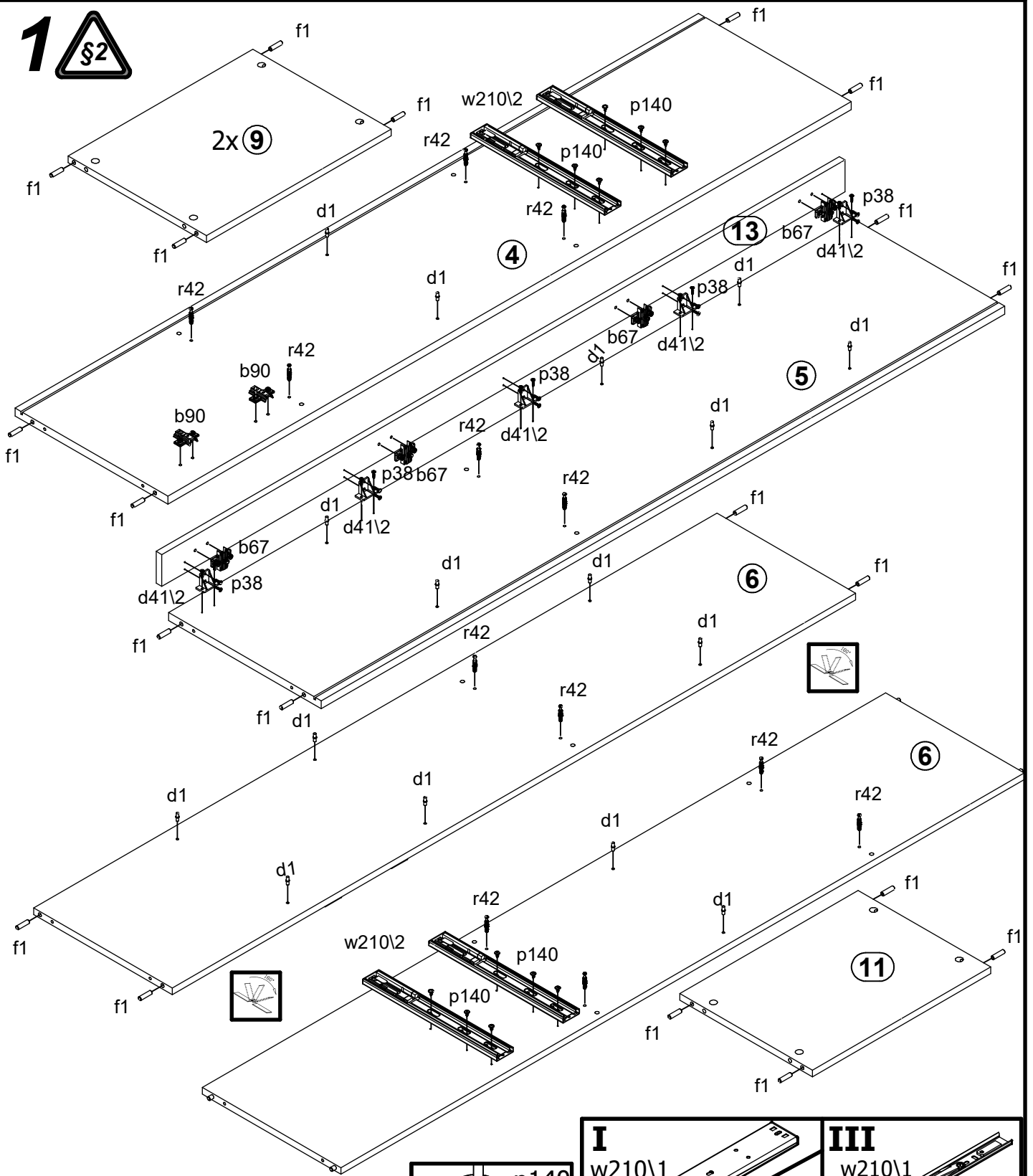
S473-REG2D2S

A	B	C	D	
1	S473-0008	1778	410	3/4
2	S473-0012	483	397	3/4
3	S473-0013	483	170	3/4
4	S473-1017	1784	399	1/4
5	S473-1018	1784	399	1/4
6	S473-1019	1784	362	1/4
7	S473-2009	1000	400	2/4
8	S473-2010	1000	400	2/4
9	S473-3003	482	361	3/4
10	S473-3004	465	346	2/4
11	S473-3009	466	346	2/4
12	S473-3010	481	361	3/4
13	S473-5005	1784	72	3/4
14	S473-9004	442	357	2/4
15	S473-9308	1794	493	3/4
16	S473-9309	1794	479	3/4
17	ZK3-5142	432	97	2/4
18	ZK4-523	350	110	2/4
19	ZK4-524	350	110	2/4

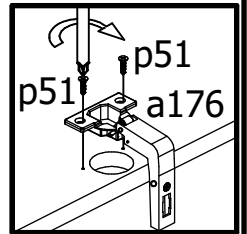
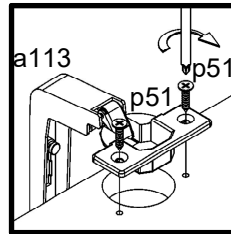
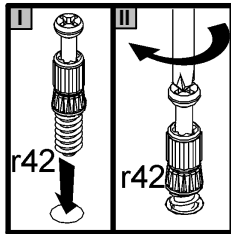
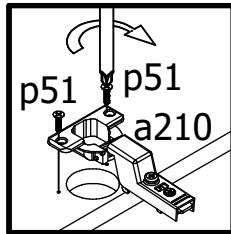
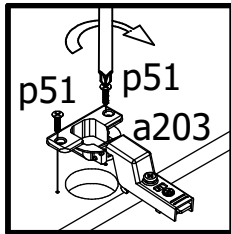
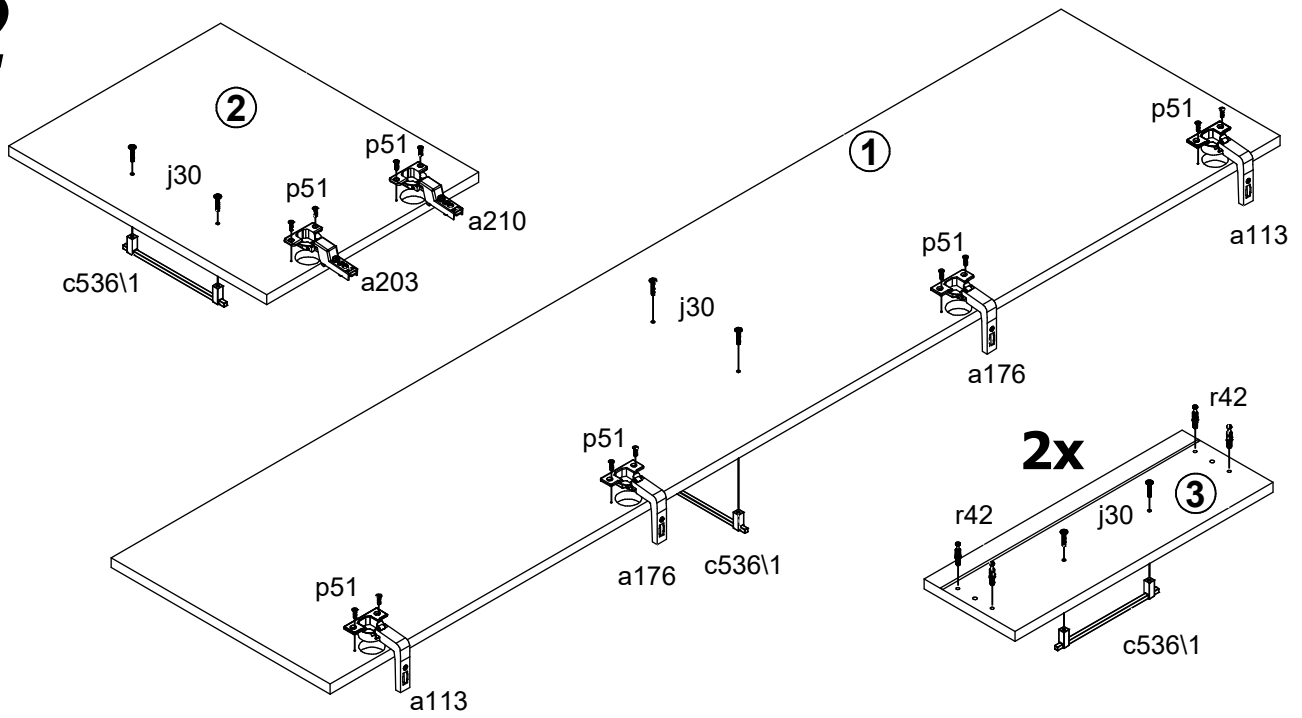


2x a113 Ø35, cichy domyk	2x a176	1x hamulec a203	1x a210	4x b67 H6	2x b90	4x c5361	16x d1 Ø5x17 mm	5x d41/2
12x e1 Ø7x50 mm	6x e16 Ø6x30 mm	24x f1 Ø8x30 mm	8x f25 Ø6,5x40 mm	4x f9 Ø6x30 mm	28x j173 M5x12 mm	8x j30 M4x22 mm	1x k133/52L	1x k133/52P
2x k133/53	2x L-360mm 18x18 k133/56	2x L-360mm 18x18 k133/57	1x L-960mm 18x18 k133/58	2x L-960mm 18x18 k133/59	12x l2	8x n108 22x9,5x20,7 mm	24x p140 Ø3,5x12 mm	27x p38 Ø3,5x16 mm
12x p51 Ø3,5x15 mm	17x p55 Ø2,9x16 mm	12x r1 Ø15x12 mm #16	8x r15 Ø12x10,5 mm #12	20x r42 20/11	4x w210/1 L-350 mm	4x w210/2 L-350 mm	4x s68 Ø 20mm	1x z1 4 mm
1x z22 3 mm	1x n26/1							

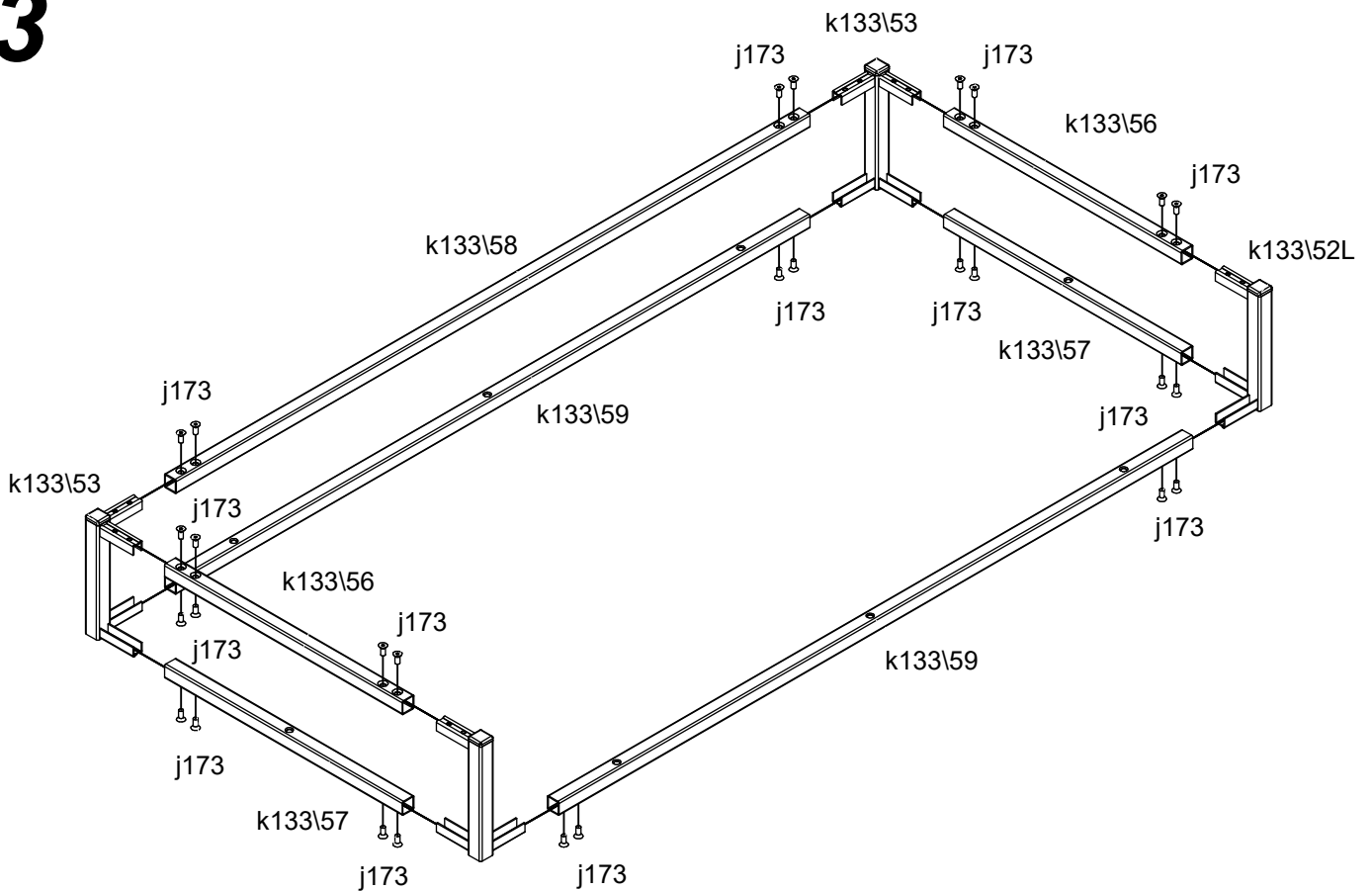
1 



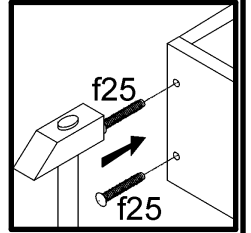
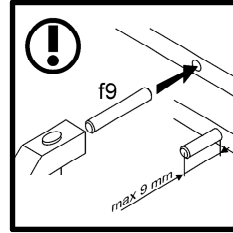
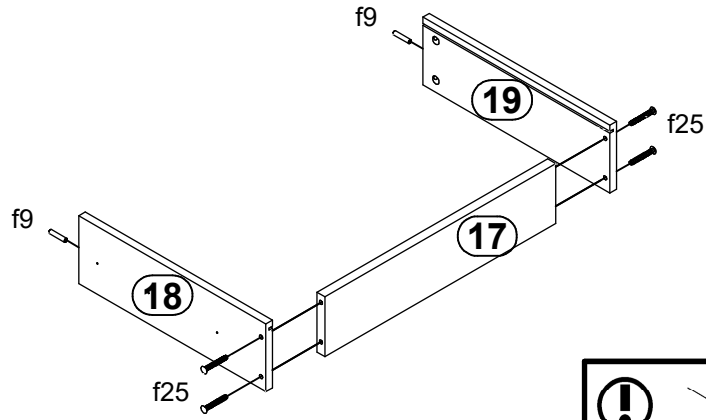
2



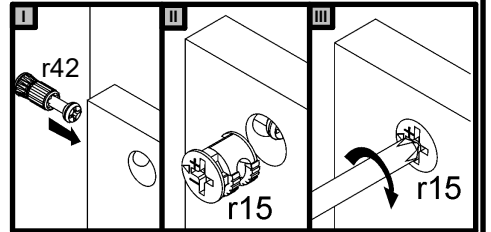
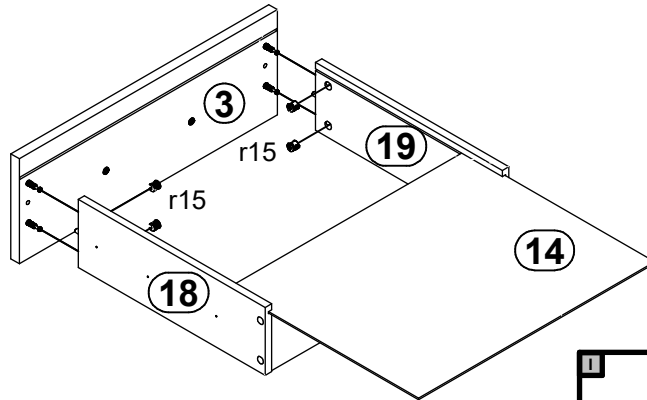
3



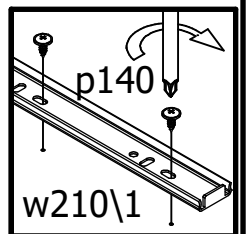
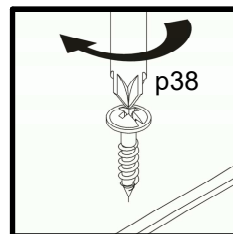
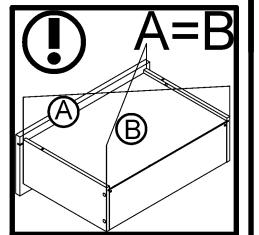
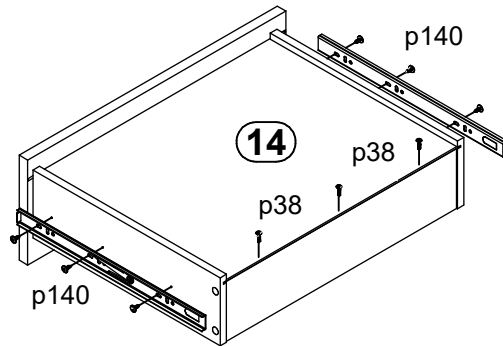
4



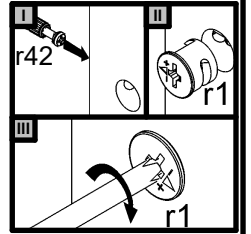
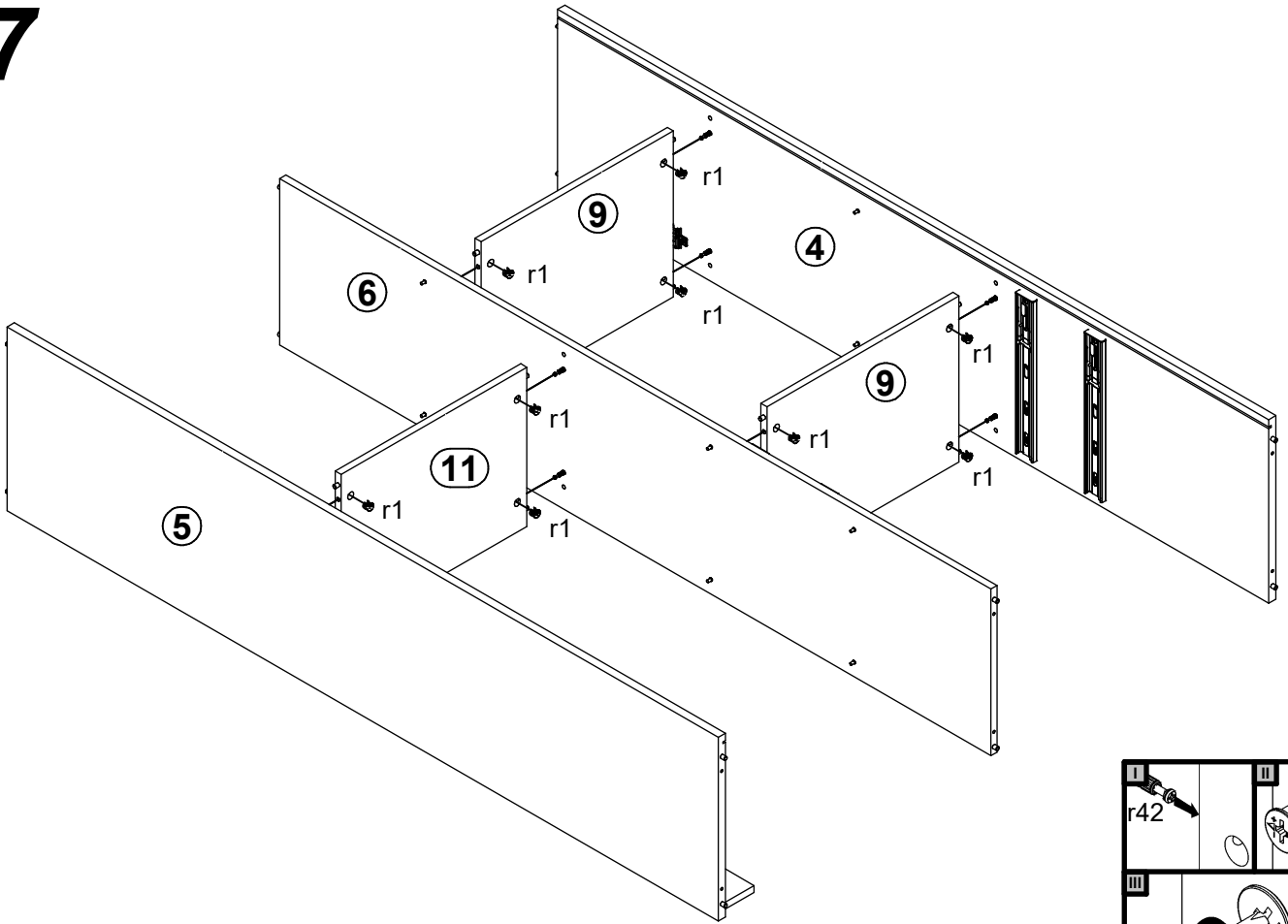
5



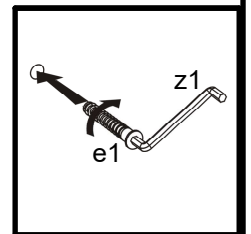
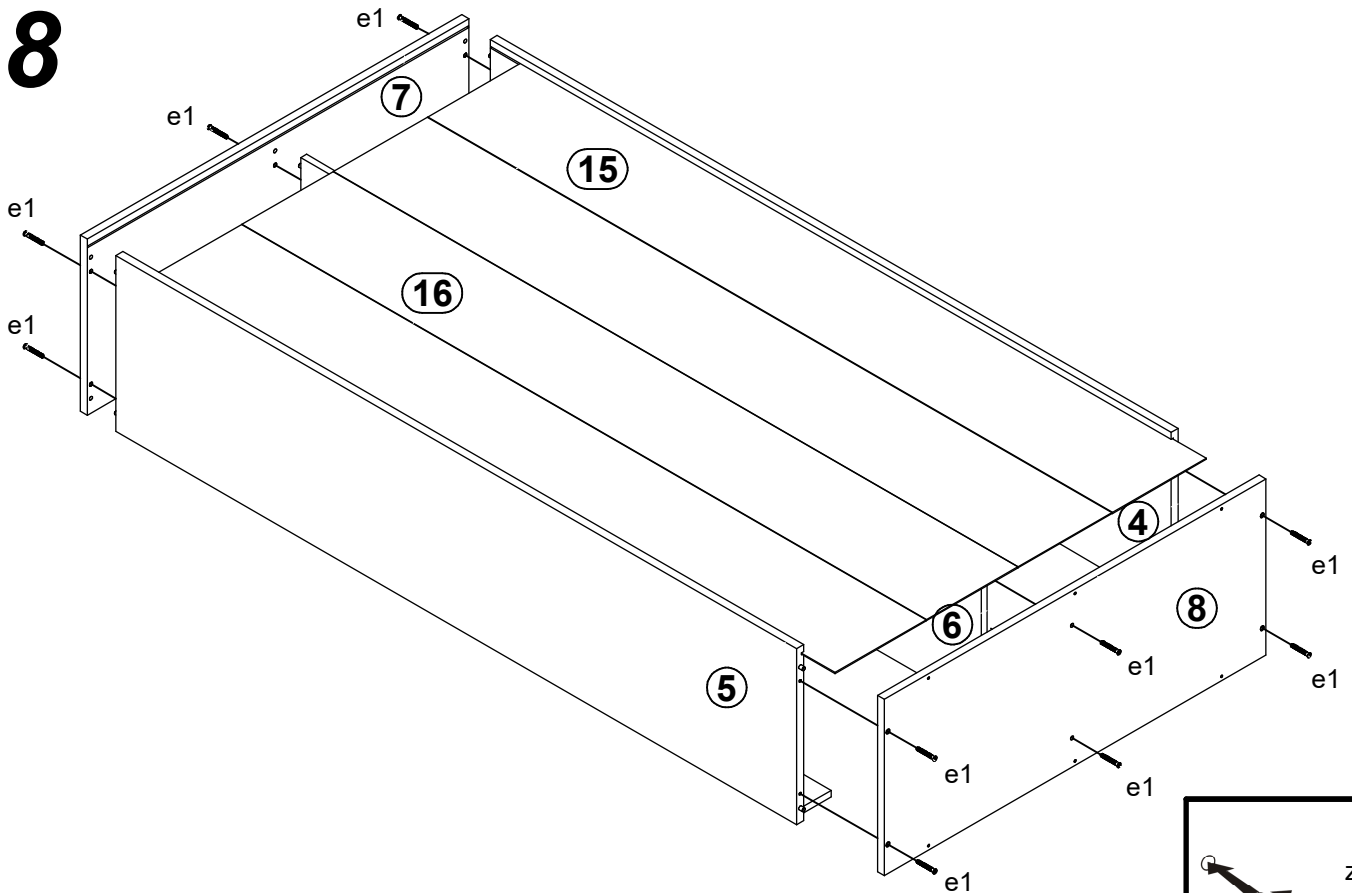
6



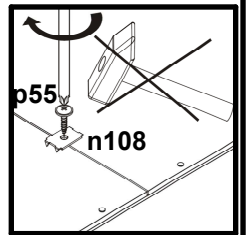
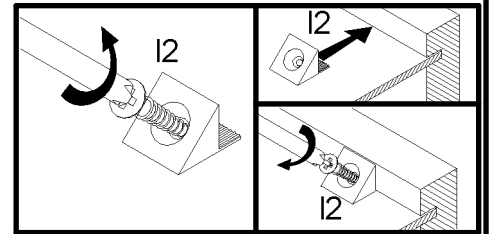
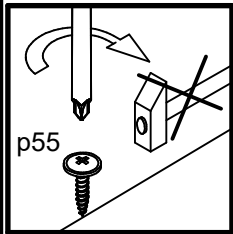
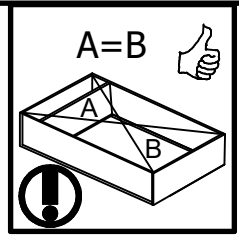
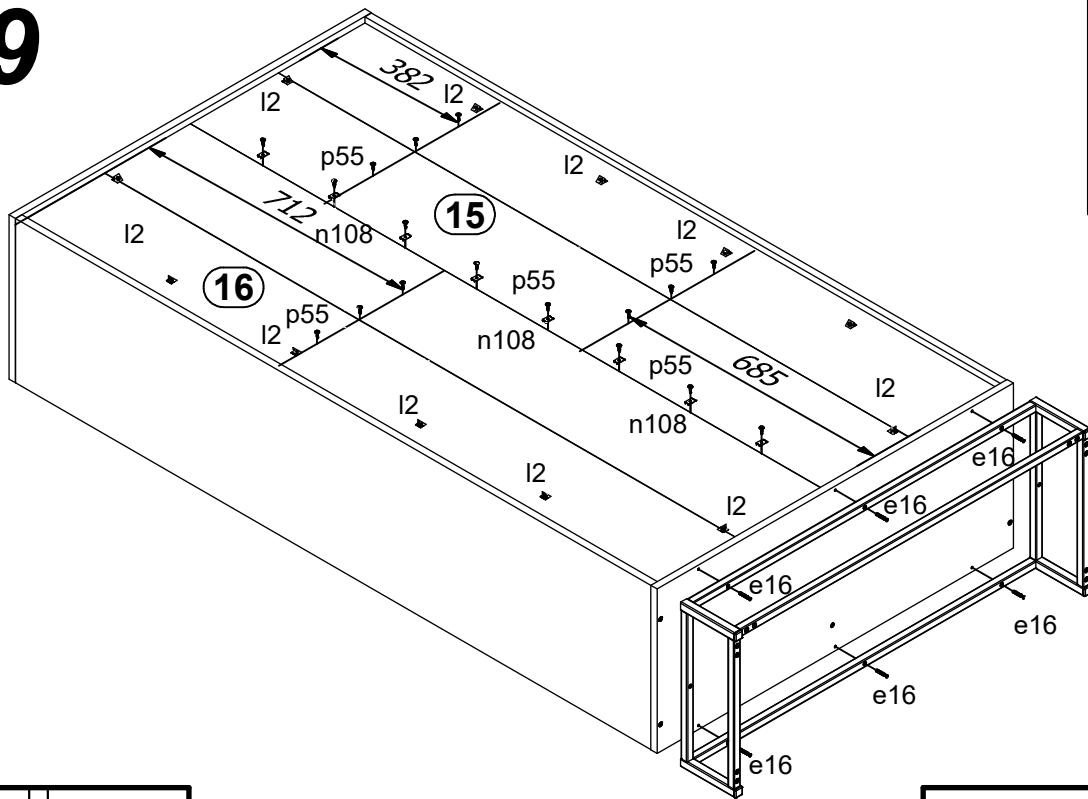
7



8



9



10

