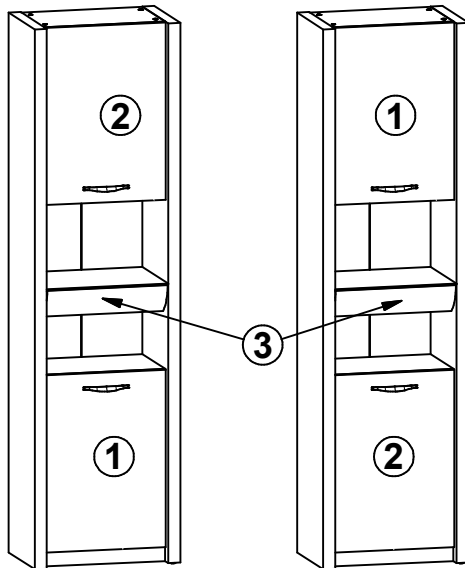
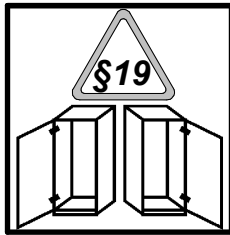


A

EXECUTIVE

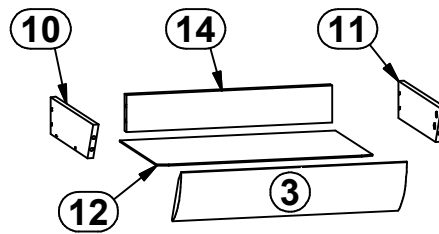
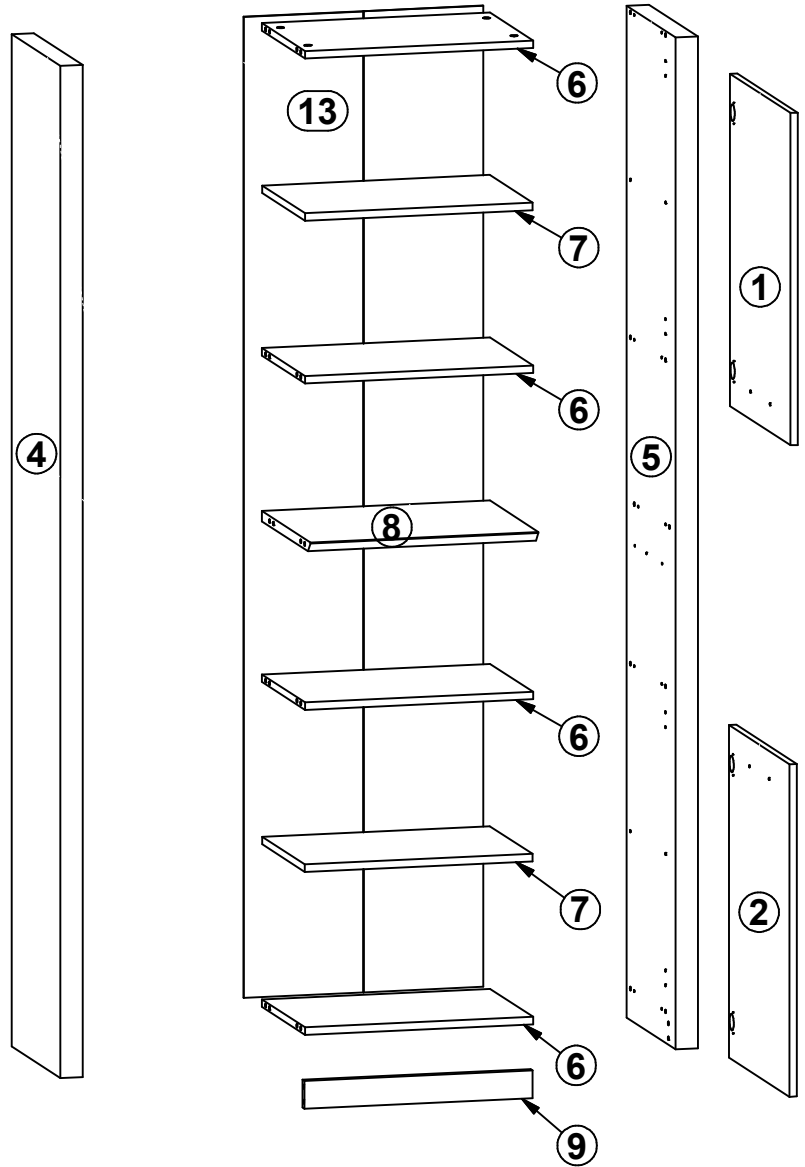
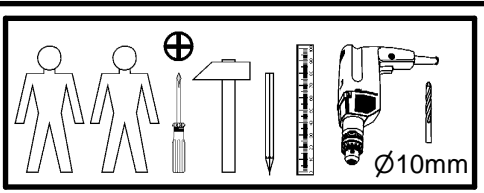
S340-REG2D1S/22/6

A	B	C	D
1	S340-0003	716	495
2	S340-0004	716	495
3	S340-0006	495	137
4	S340-1007	2180	400
5	S340-1008	2180	400
6	S340-3010	500	354
7	S340-3011	499	350
8	S340-3012	500	397
9	S340-4008	500	60
10	S340-5001	350	80
11	S340-5002	350	80
12	S340-9002	473	309
13	S340-9305	2113	525
14	ZS3-5687	451	80



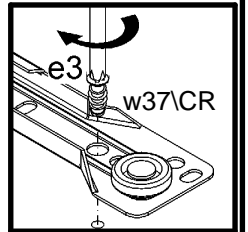
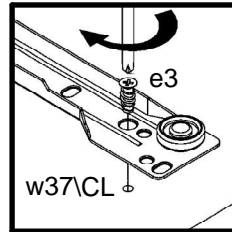
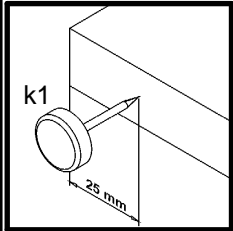
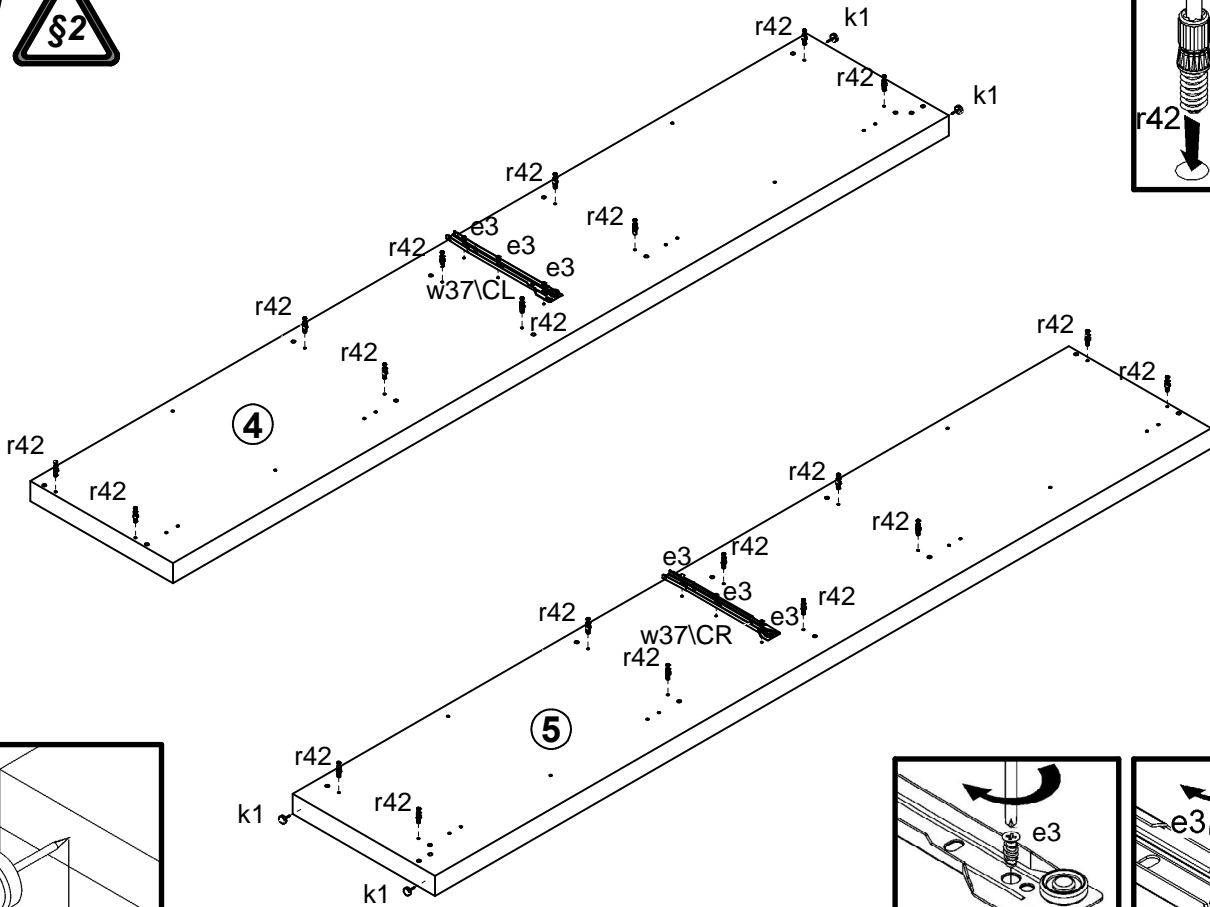
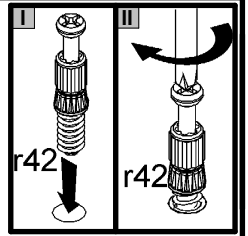
L

R

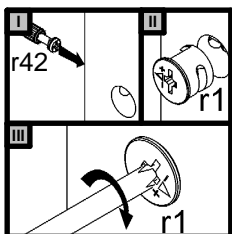
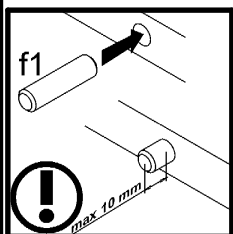
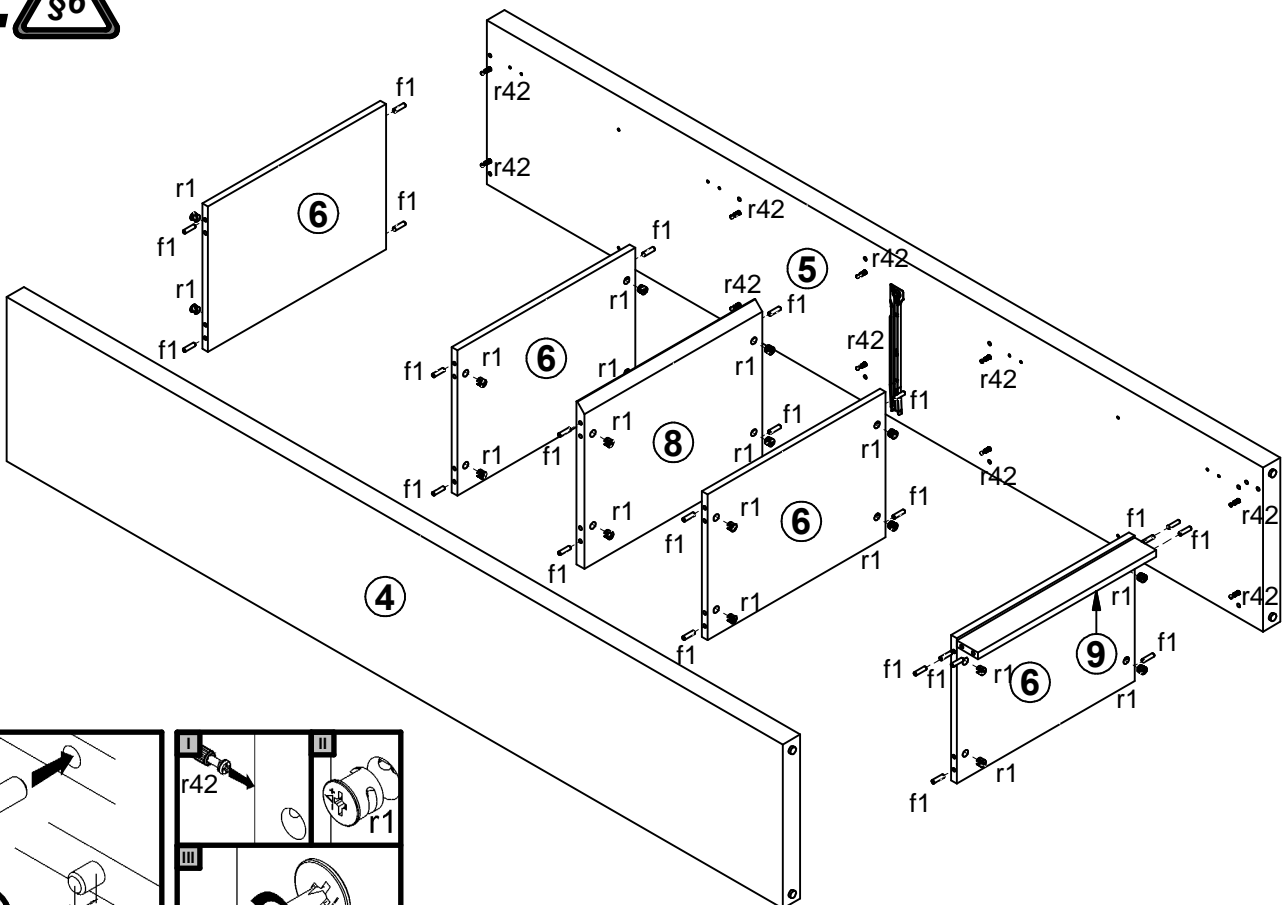


4x K16 a43	4x b19	2x 160 mm c432	8x Ø5x17 mm d1	6x Ø6x13 mm e3	4x Ø5x9 mm e19	24x Ø8x30 mm f1	4x Ø6,5x40 mm f25	4x M4x20 mm j1
4x k1	75x l1	4x Ø3,5x16 mm p38	8x Ø3,5x15 mm p51	20x Ø15x12 mm #16 r1	4x Ø12x10,5 mm #12 r15	24x 20/11 r42	1x 300 mm w37\CL	1x 300 mm w37\CR
1x 300 mm w37\DL	1x 300 mm w37\DR	8x Ø16 s2	6x silikon o21			1x n26\1	1x Ø3,5x16 mm p38	

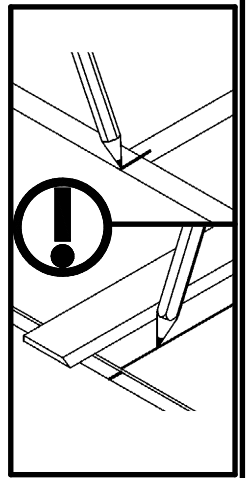
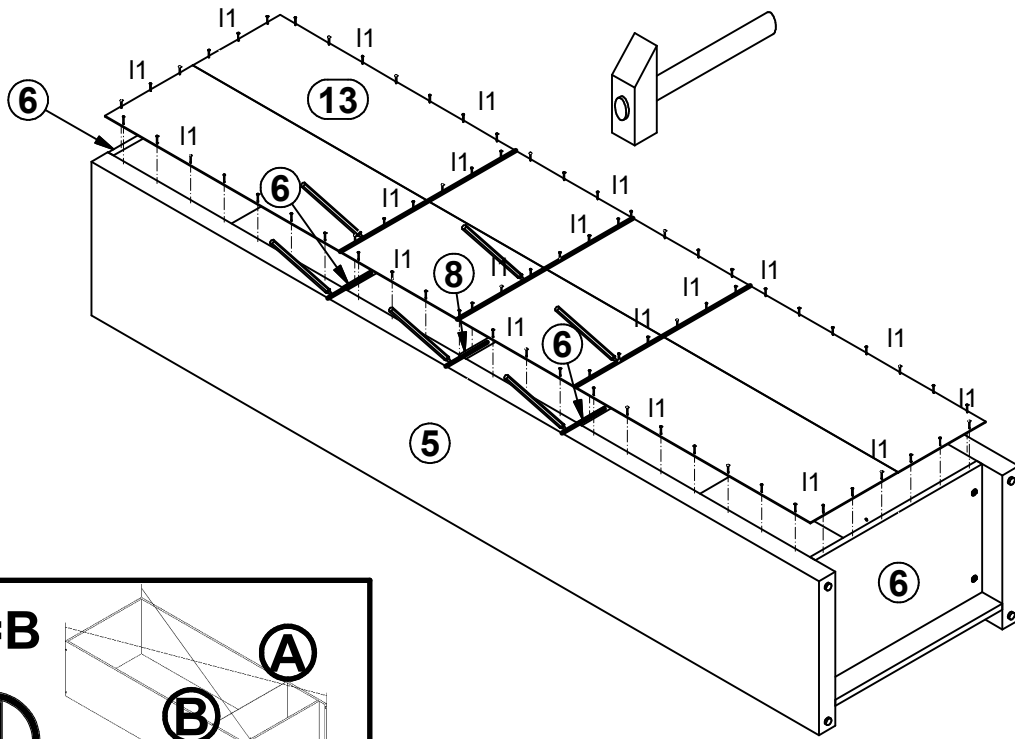
1 



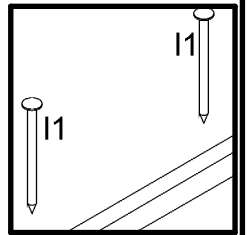
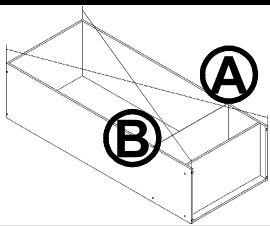
2 



3



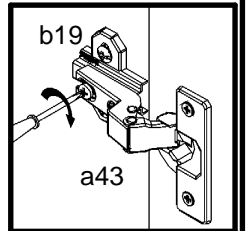
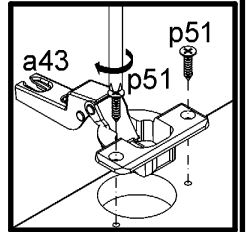
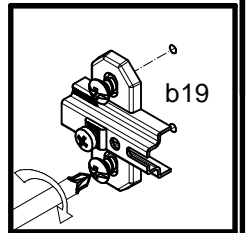
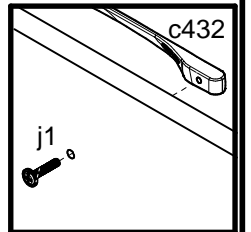
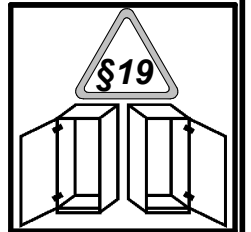
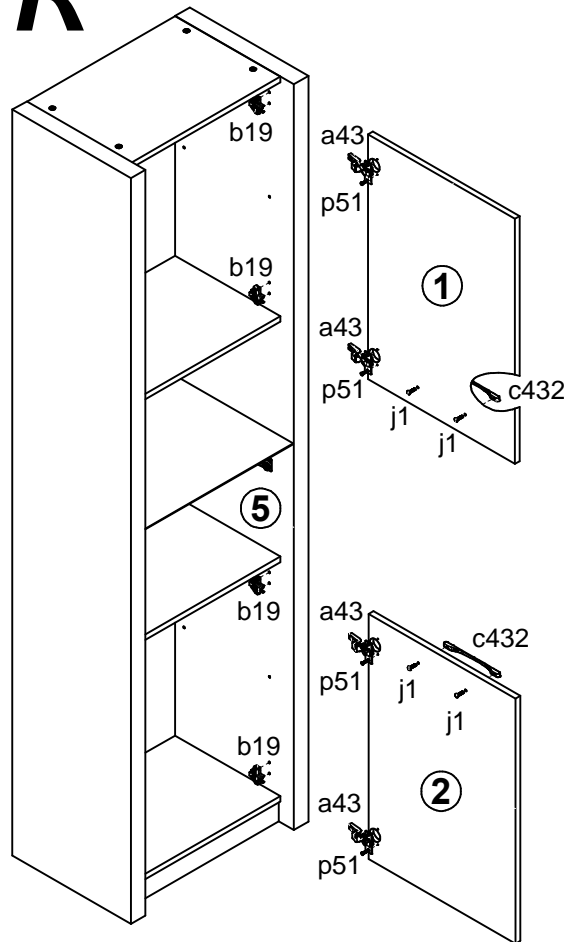
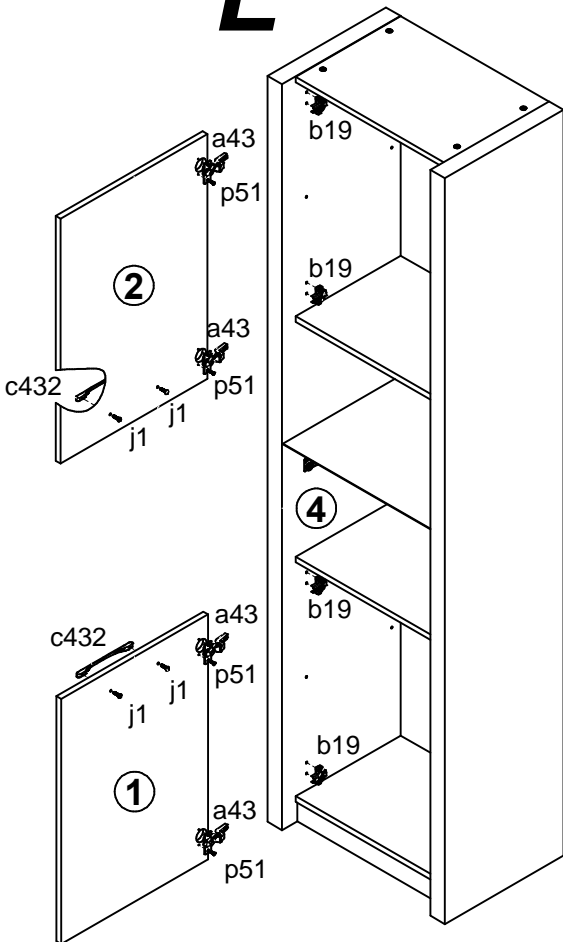
A=B



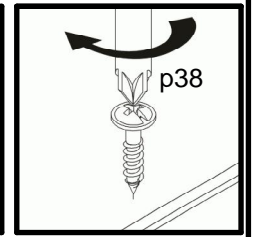
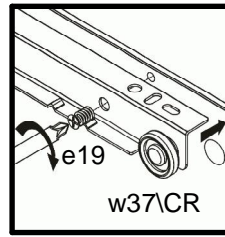
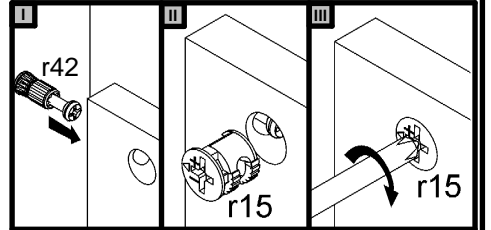
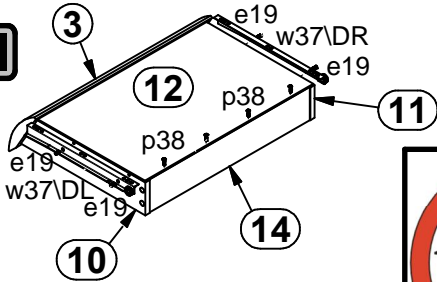
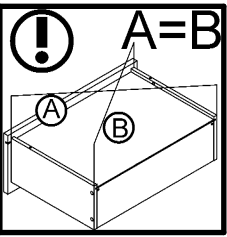
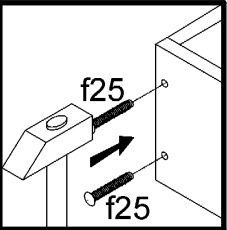
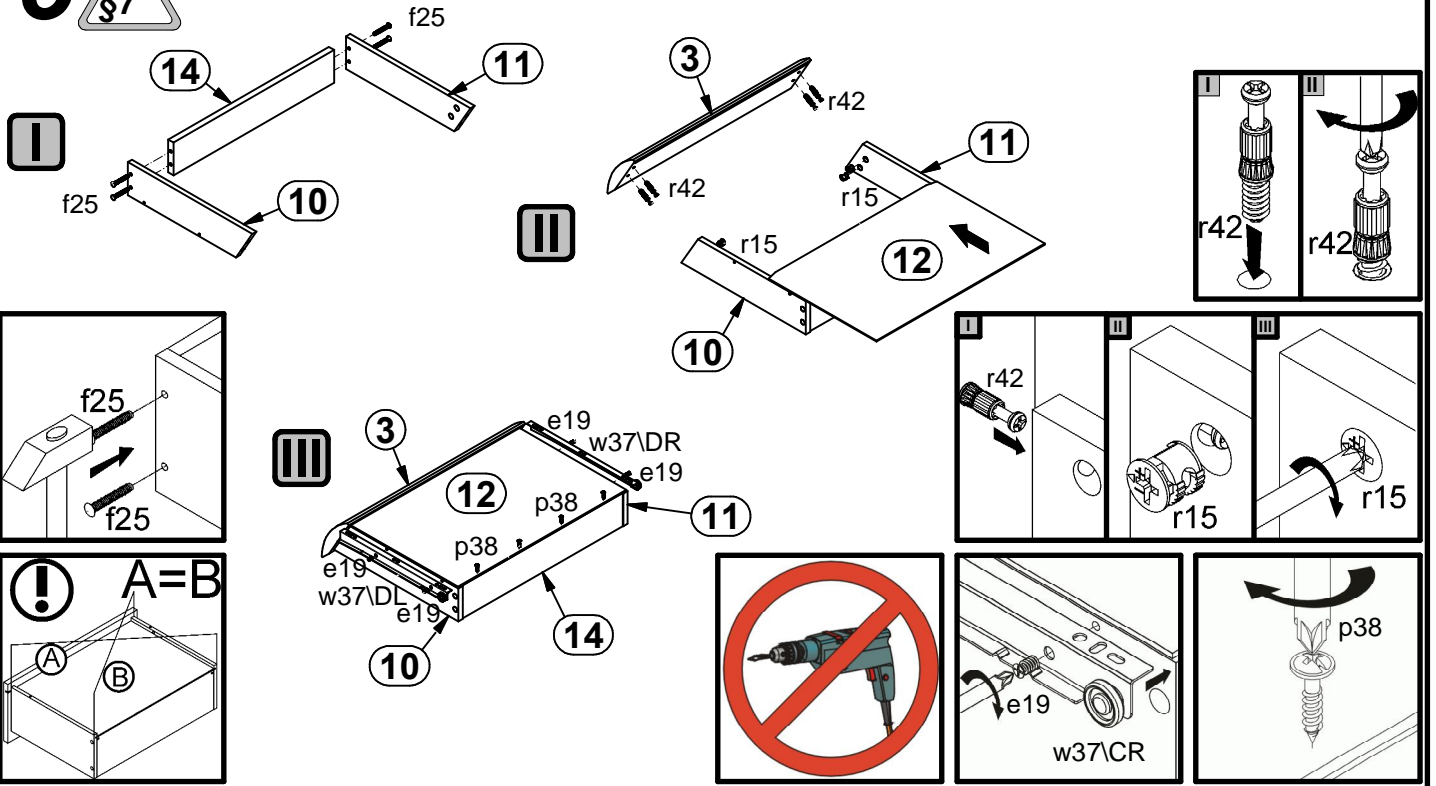
4

L

R



5



6

