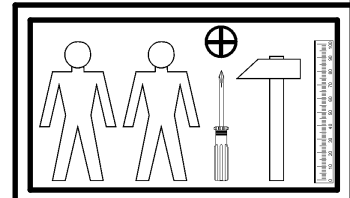
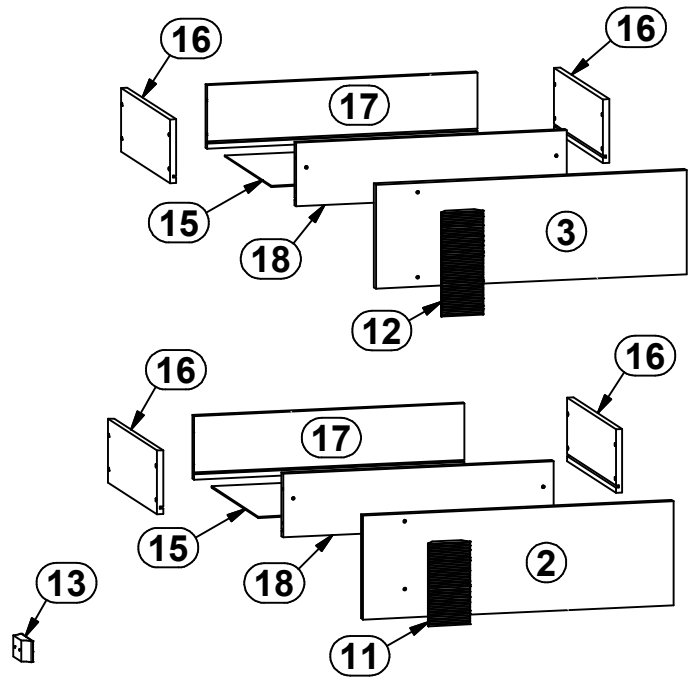
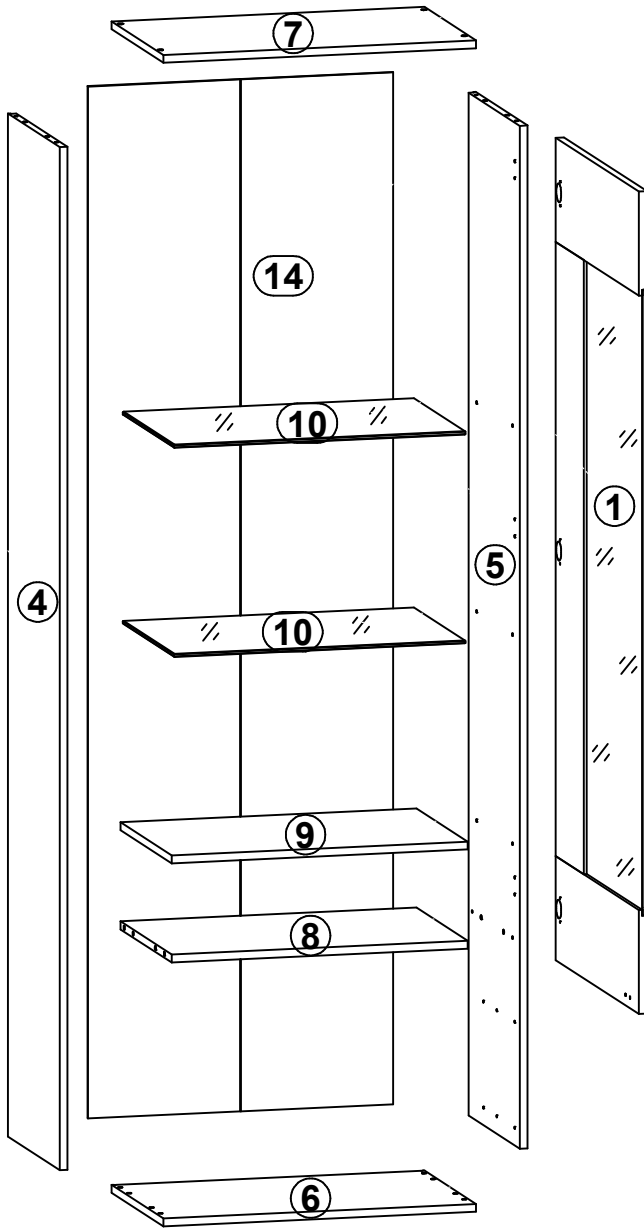
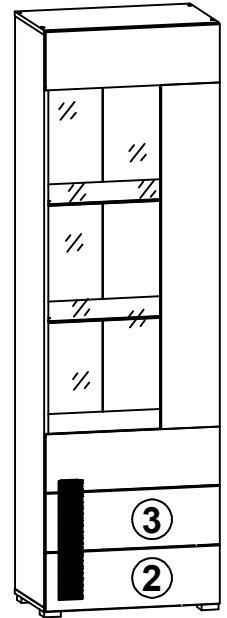


DOMENICA

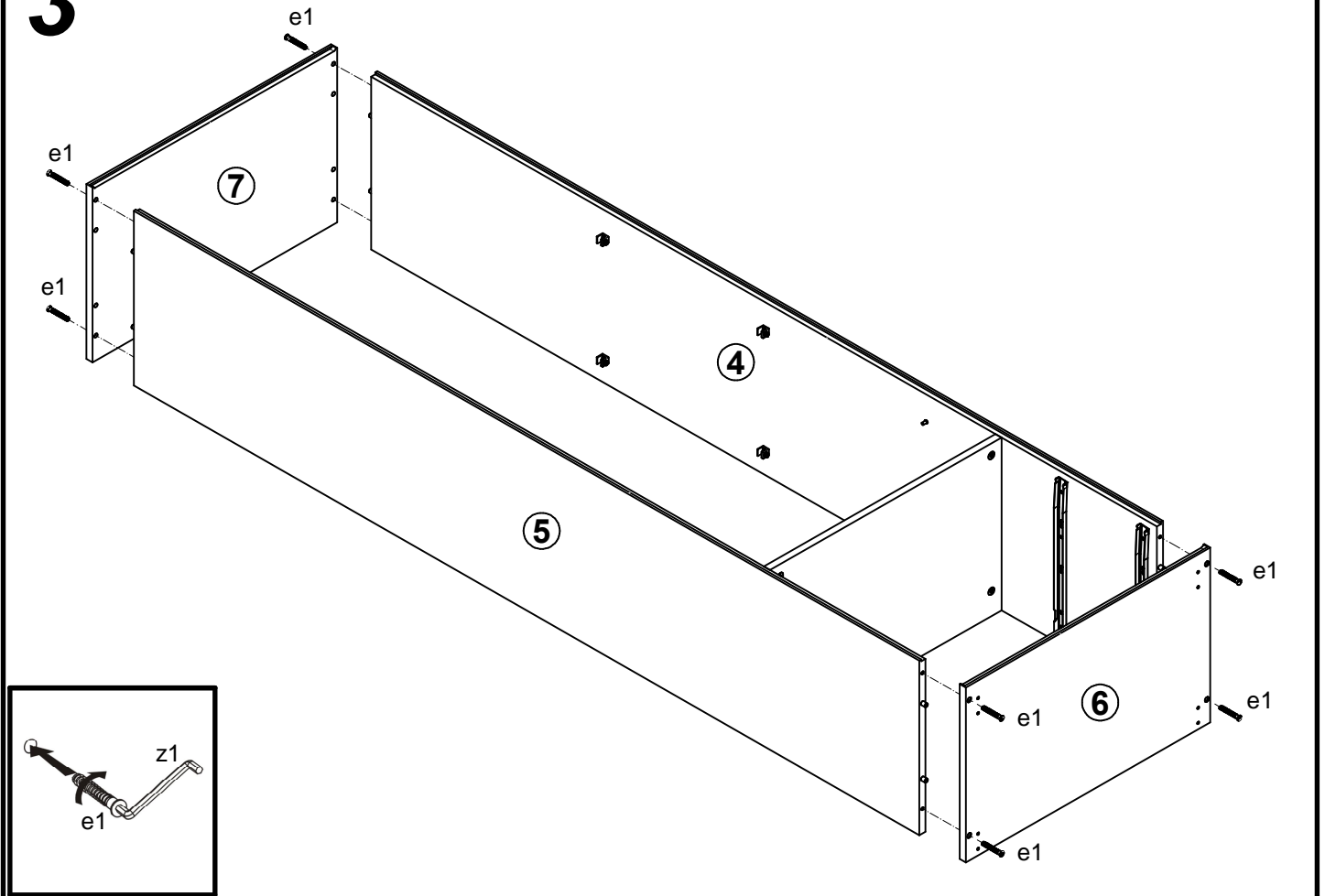
S190-REG1W2S

A	B	C	D	A	B	C	D		
1	S190-009	1550	596	6/6	10	S190-503	559	342	4/6
2	S190-016	596	196	5/6	11	S190-553	156	80	3/6
3	S190-017	596	196	5/6	12	S190-554	196	80	3/6
4	S190-111	1928	371	1/6	13	S190-555	40	80	3/6
5	S190-112	1928	371	1/6	14	S190-908	1945	586	1/6
6	S190-208	600	371	2/6	15	S190-909	530	336	2/6
7	S190-217	600	371	2/6	16	ZS1-1512	350	120	2/6
8	S190-305	568	367	2/6	17	ZS1-1574	519	120	2/6
9	S190-306	567	362	2/6	18	ZS1-1575	519	120	2/6

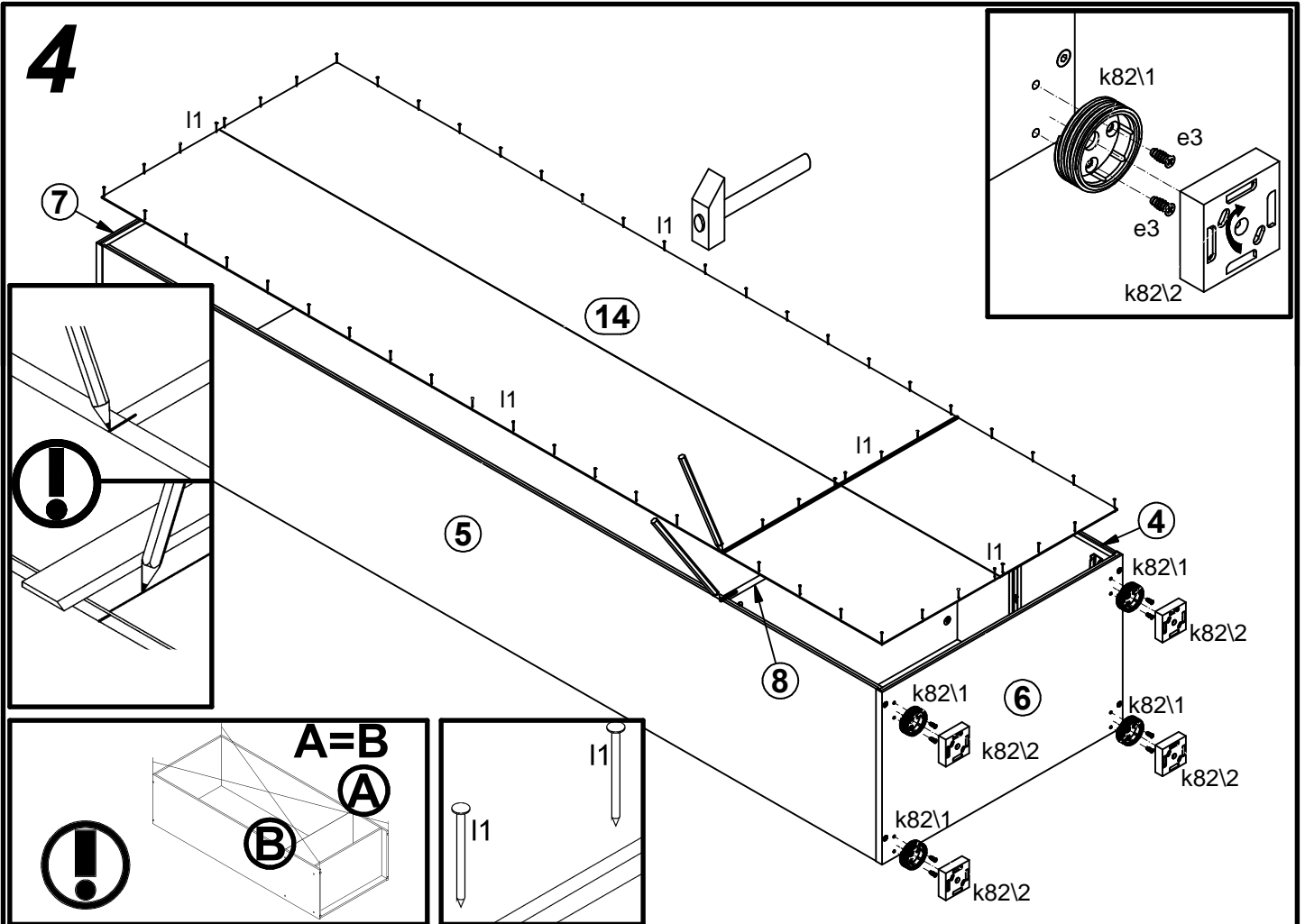


3x a44	3x b19	4x Ø5x17 mm d1	8x d12	8x Ø7x50 mm e1	6x Ø6.3x13 mm e2	28x Ø6x13 mm e3	16x Ø5x50 mm e32	12x Ø8x30 mm f1
4x M4x22 mm j30	4x k82\1	4x k82\2	60x l1	8x Ø2.5x13 mm p15	6x Ø3.5x15 mm p51	1x Ø4x28 mm p90	5x Ø4x28 mm p113	4x Ø15x12 mm #16 r1
4x Ø21x10 mm r31	4x r42	2x 350 mm w45\CL	2x 350 mm w45\CR	2x 350 mm w45\DL	2x 350 mm w45\DR	1x z1	1x n26\1	1x Ø3.5x16 mm p38

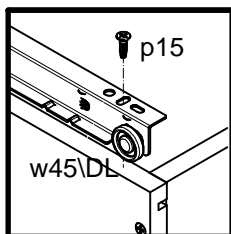
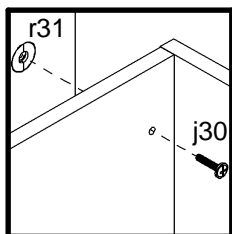
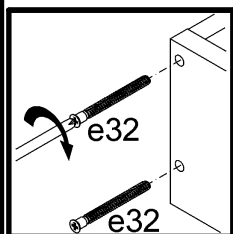
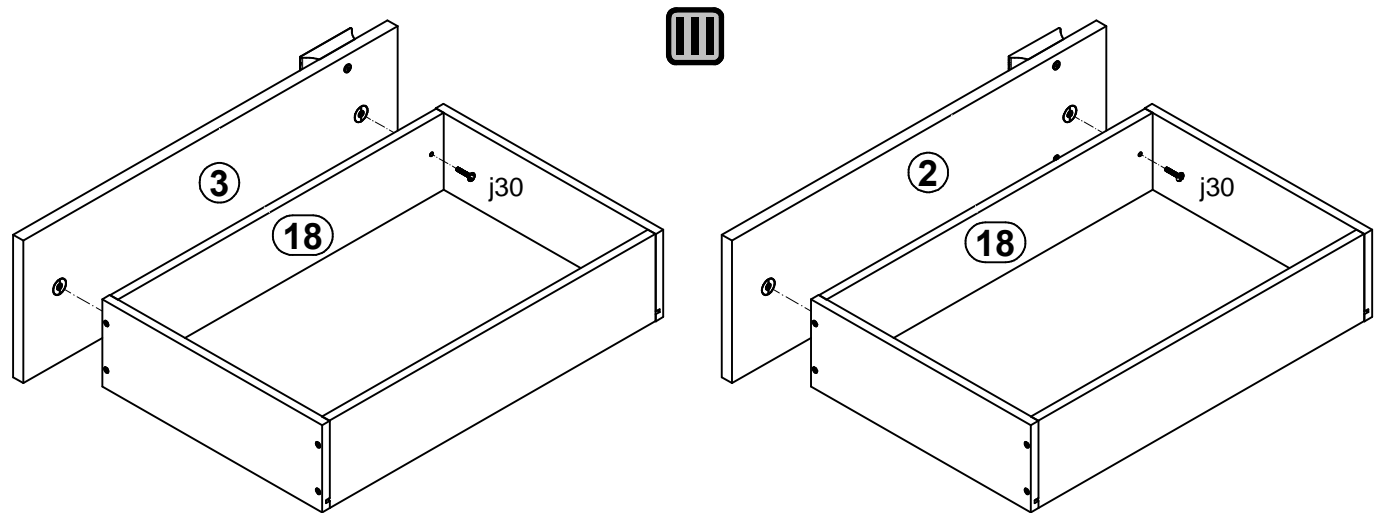
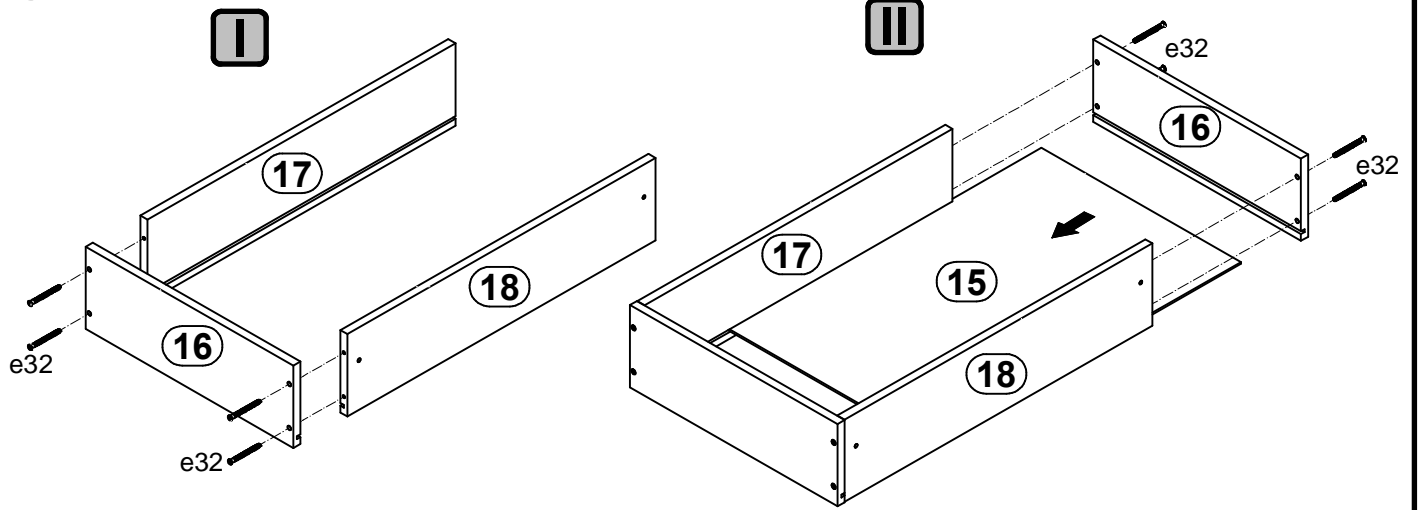
3



4



5



6

