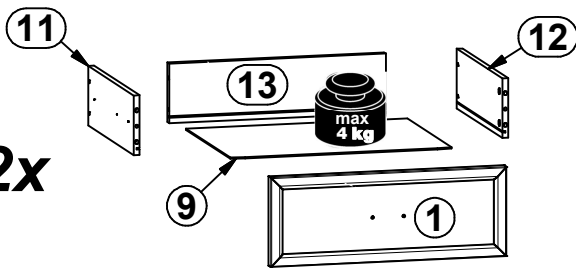
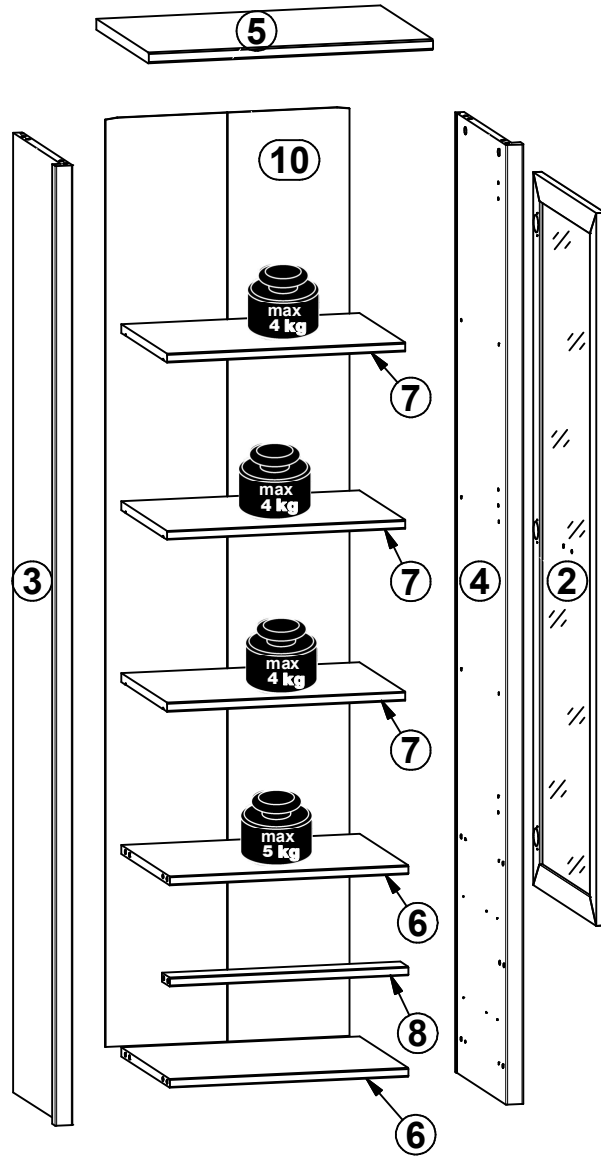
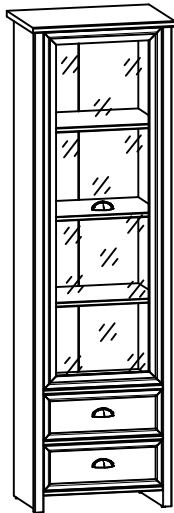
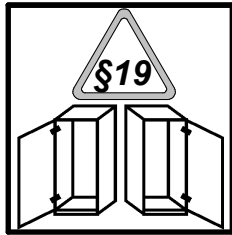
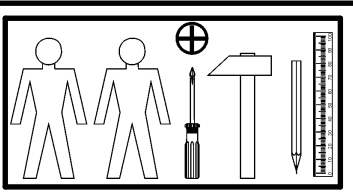


A	B	C	D
1	S351-0001	484	180
2	S351-0017	1436	484
3	S351-1022	1933	390
4	S351-1023	1933	390
5	S351-2008	584	400
6	S351-3017	490	373
7	S351-3027	489	351
8	S351-4004	490	60
9	S351-9008	455	343
10	S351-9307	1871	501
11	ZK1-503	350	120
12	ZK1-504	350	120
13	ZS1-6557	445	120

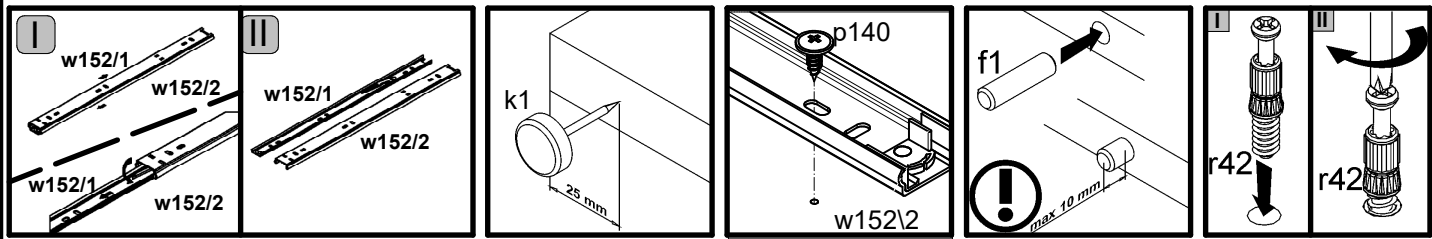
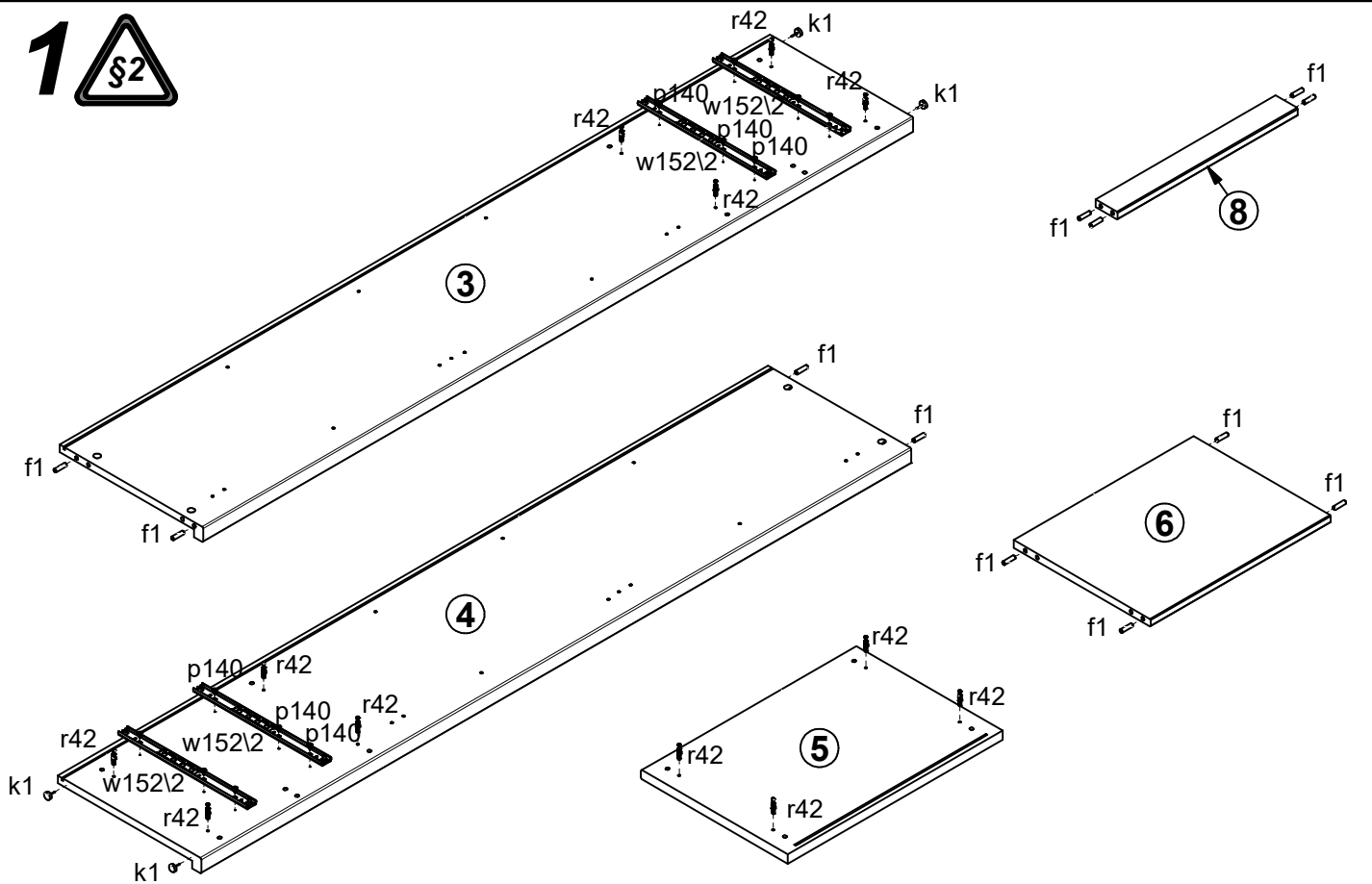


2x

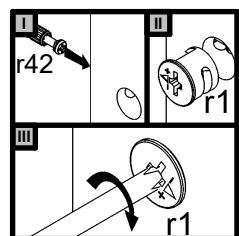
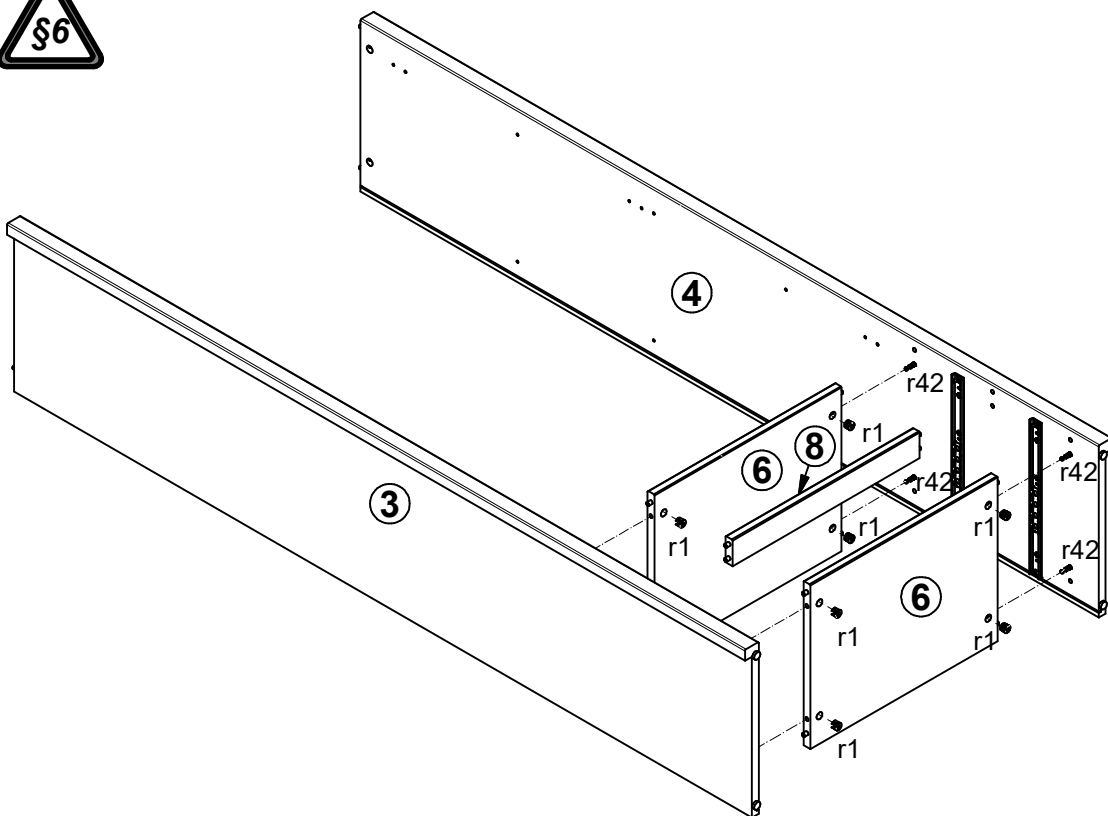


3x K16 a43	3x b19	3x 64 mm c434	12x Ø5x17 mm d1	16x Ø8x30 mm f1	4x Ø6x30 mm f9	8x Ø6,5x40 mm f25	6x M4x10 mm j106	4x k1	
10x l1	12x I2	2x silikon o21	2x Ø5/Ø10x1,4 mm o26	2x Ø6,5/Ø10x5,2 mm o27	24x Ø3,5x12 mm p140	6x Ø3,5x15 mm p51	12x Ø15x12 mm #16 r1	8x Ø12x10,5 mm #12 r15	
20x 20/11 r42	4x 350/580 mm w152\1	4x 350/580 mm w152\2							4x Ø16 s2
						1x n26\1	1x Ø3,5x16 mm p38		

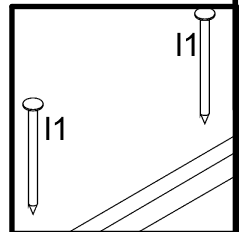
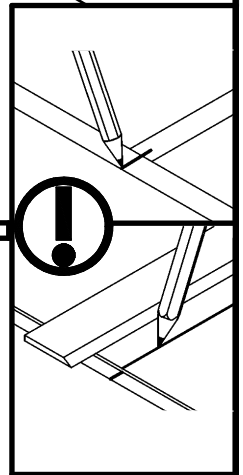
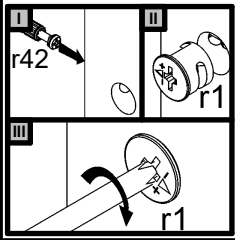
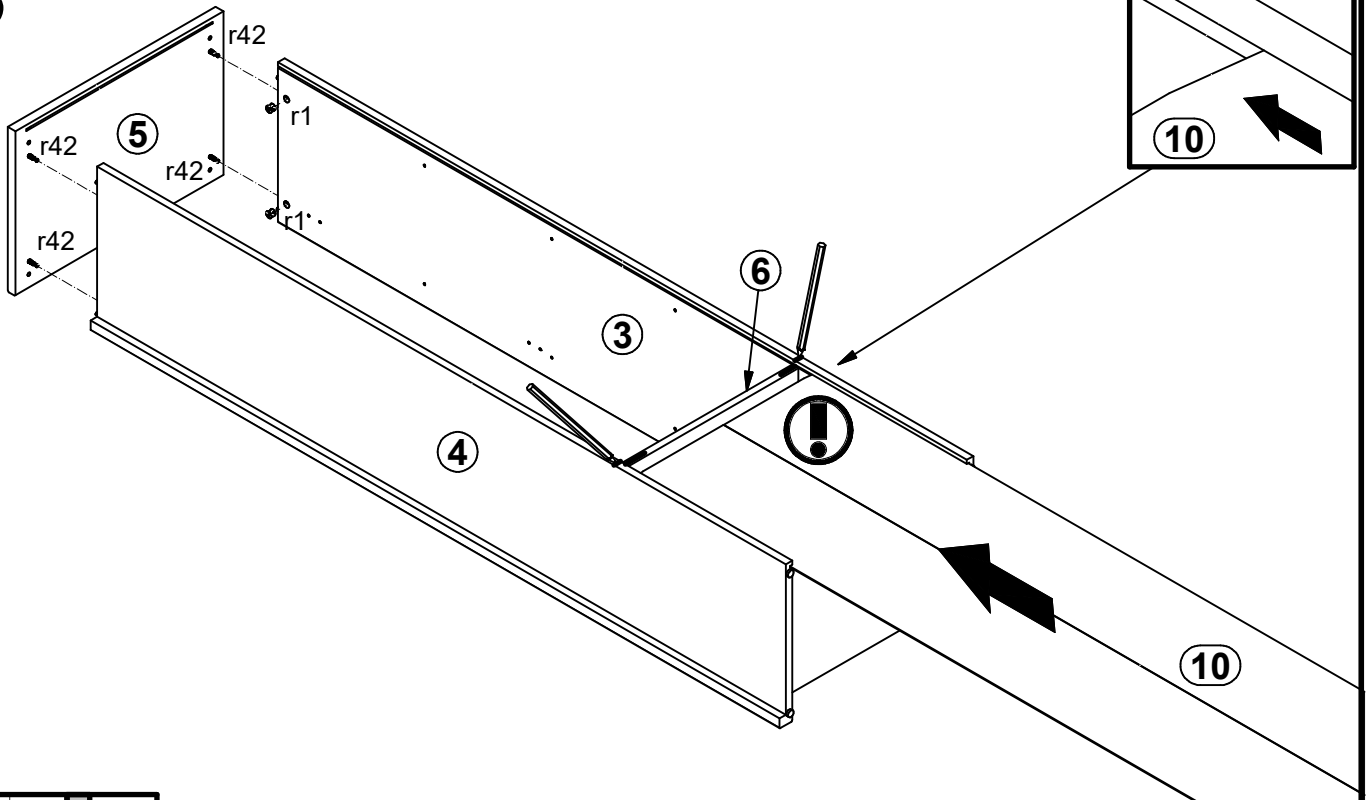
# 1



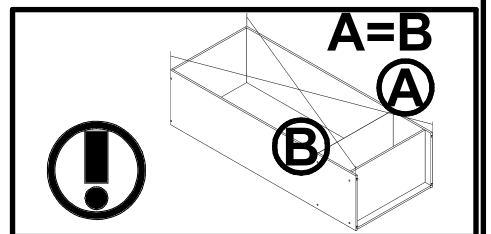
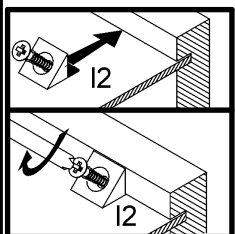
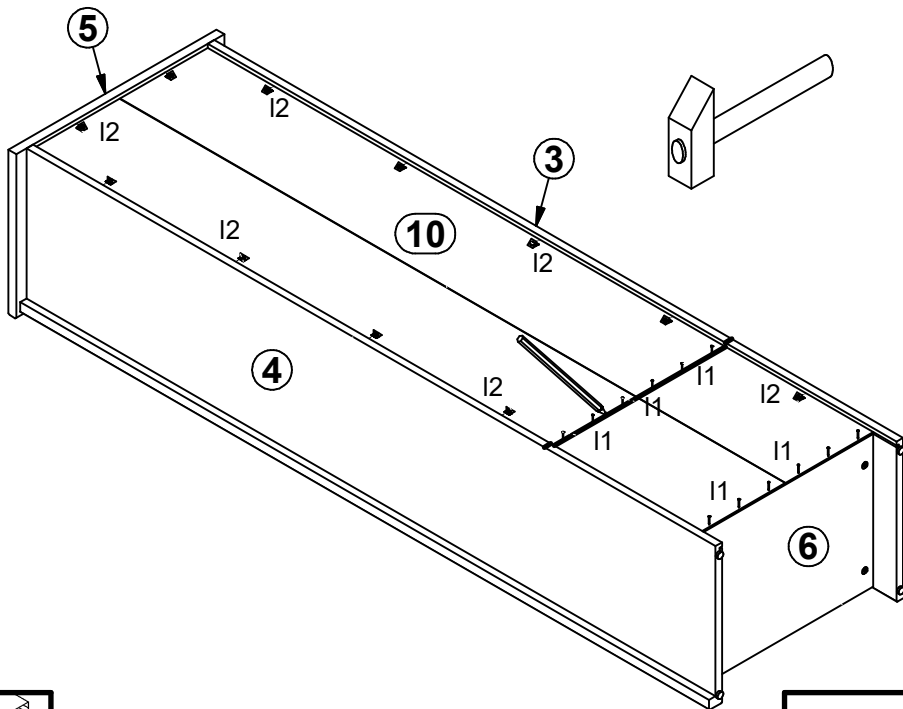
# 2



# 3

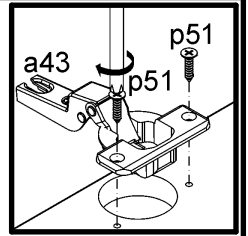
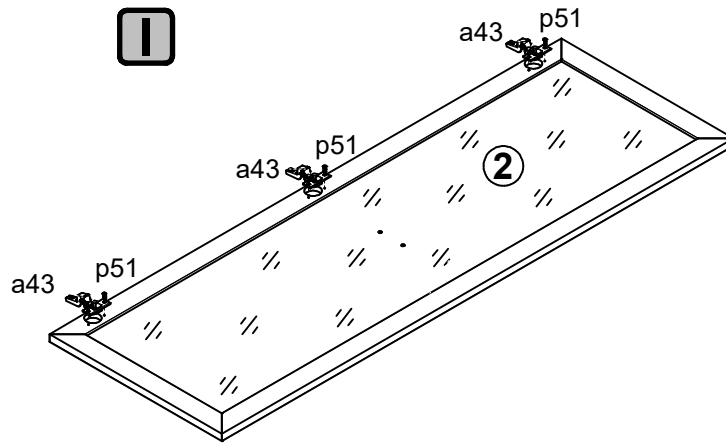


# 4



5 





**L**

**R**



