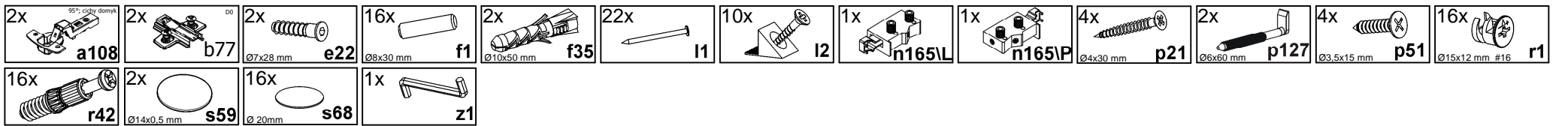
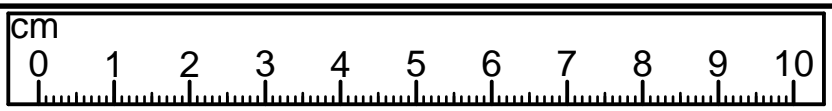
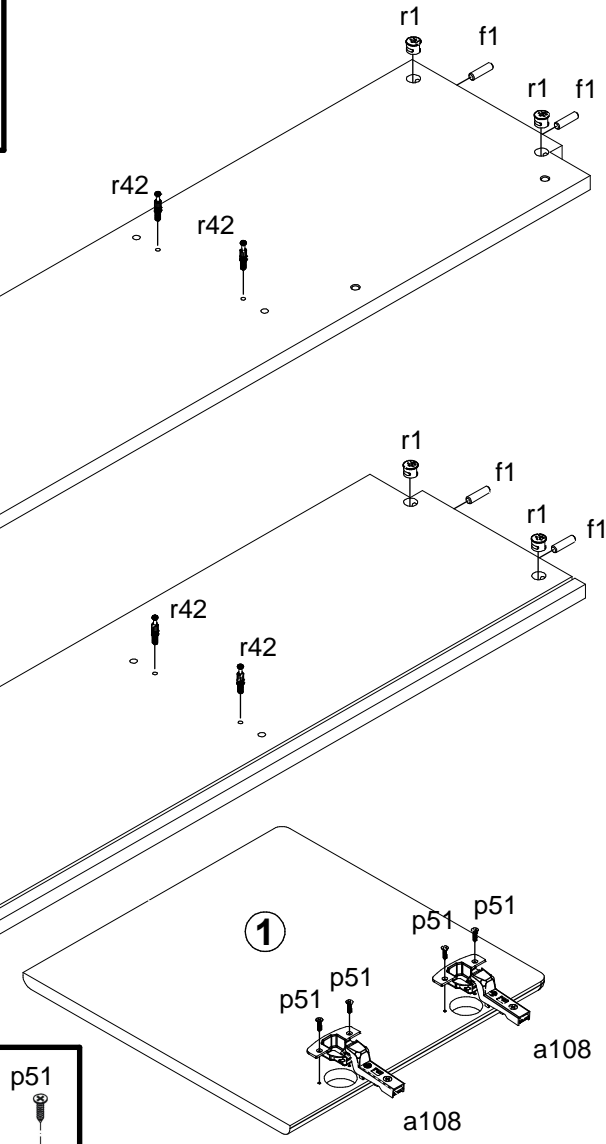
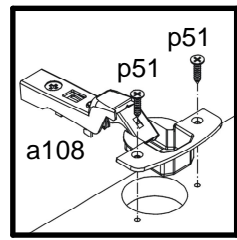
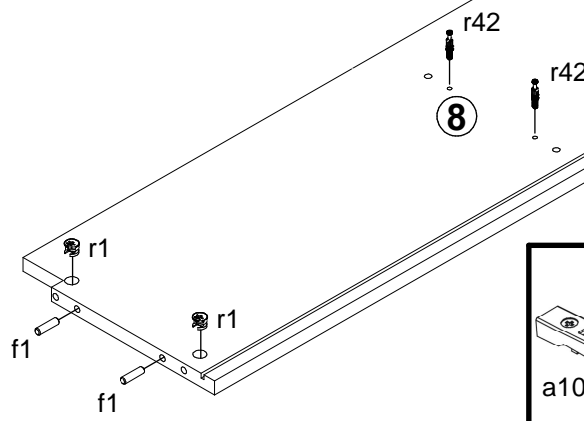
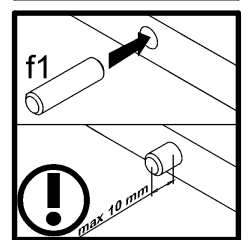
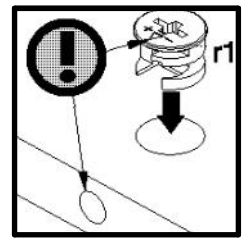
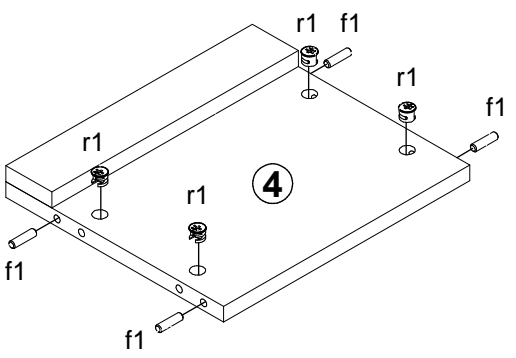
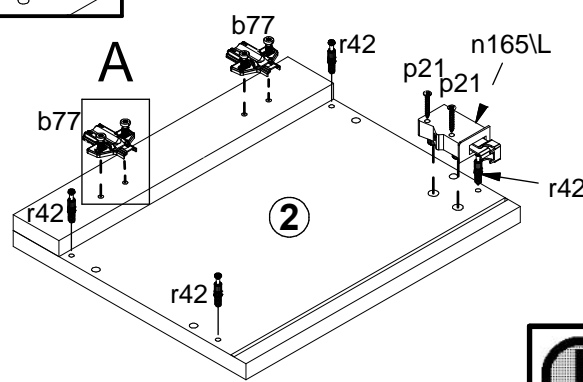
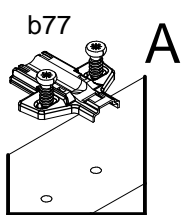
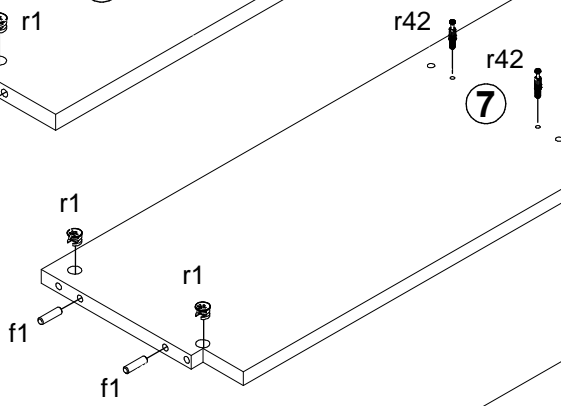
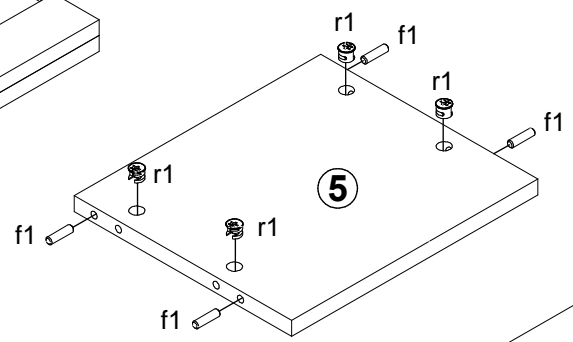
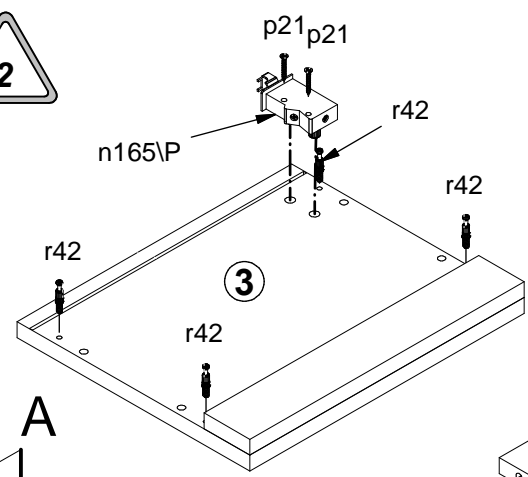
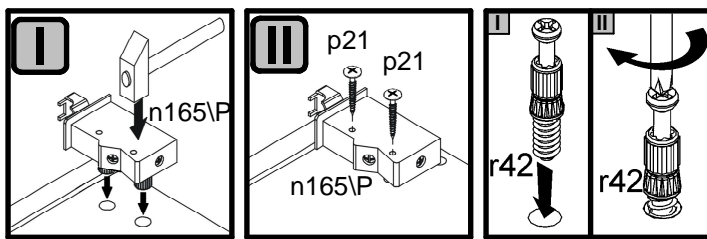
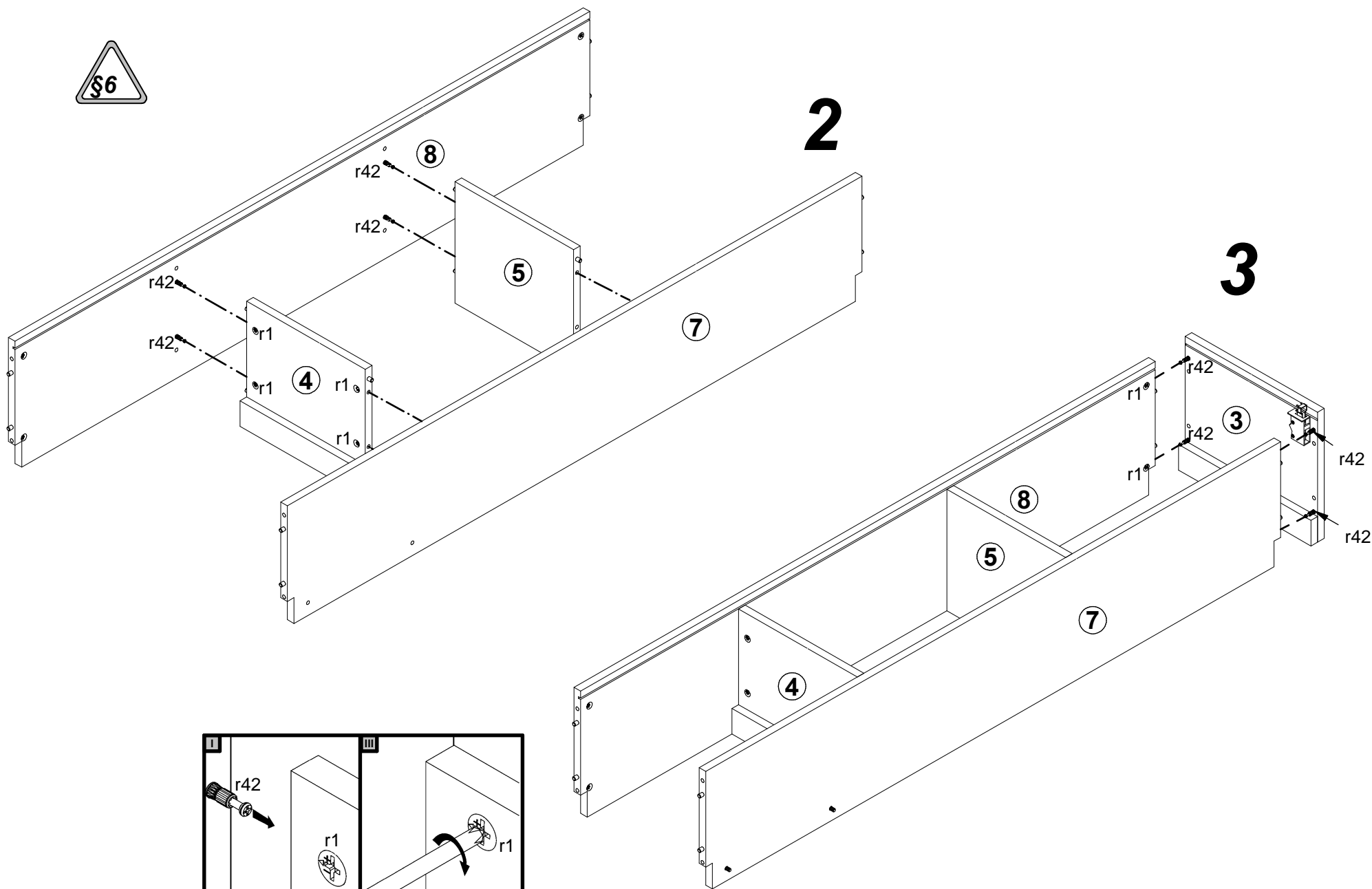


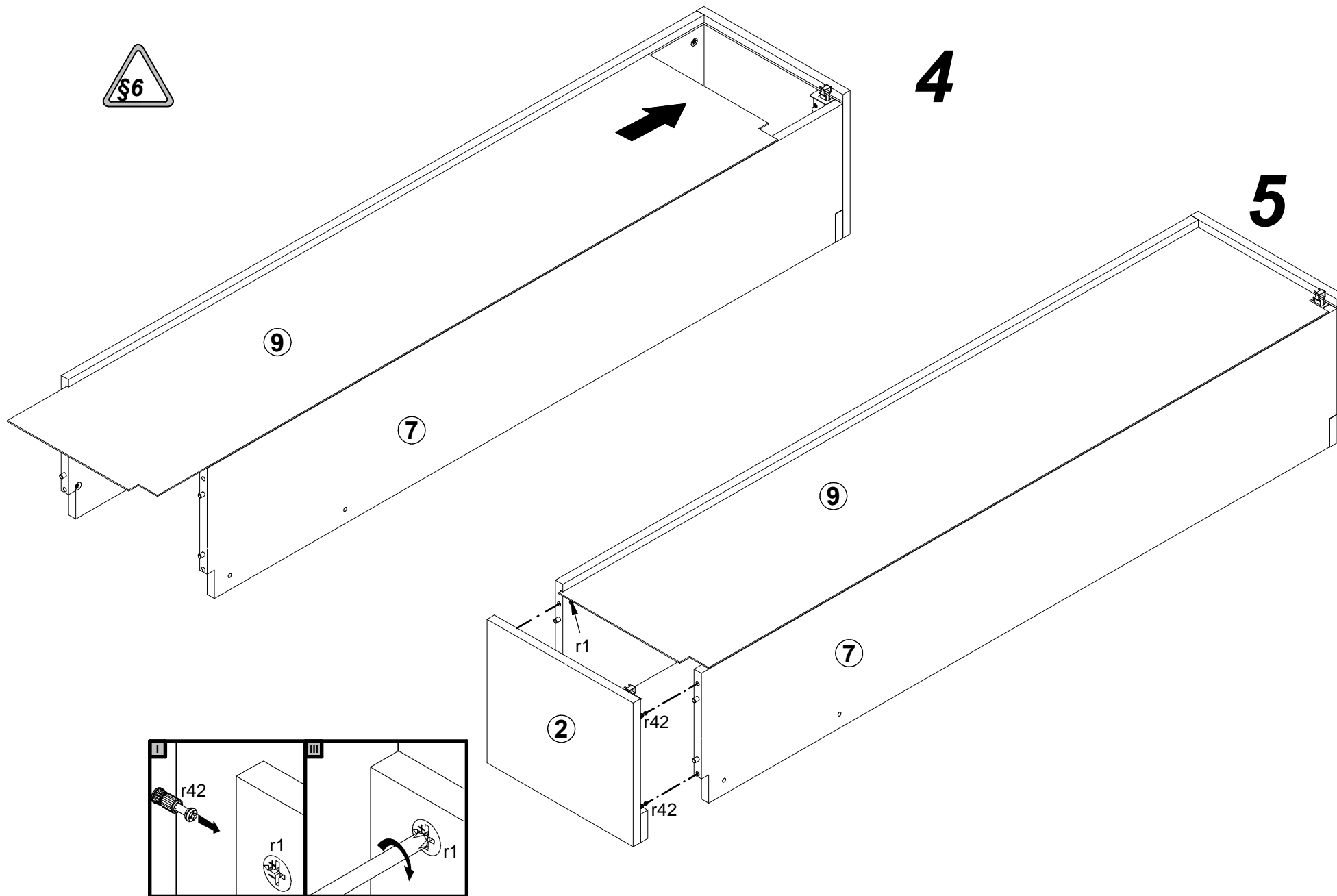
A	B	C (mm)		D
1	S232-0030	388	400	2/2
2	S232-1022	360	305	1/2
3	S232-1023	360	305	1/2
4	S232-1024	323	285	1/2
5	S232-1025	323	285	1/2
6	S232-2014	60	400	2/2
7	S232-3030	1564	285	1/2
8	S232-3031	1564	305	1/2
9	S232-9003	1574	345	1/2



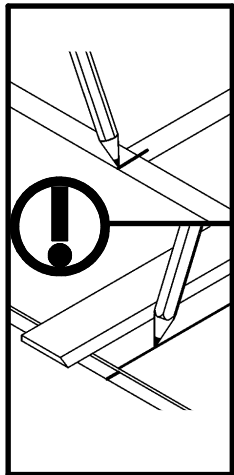
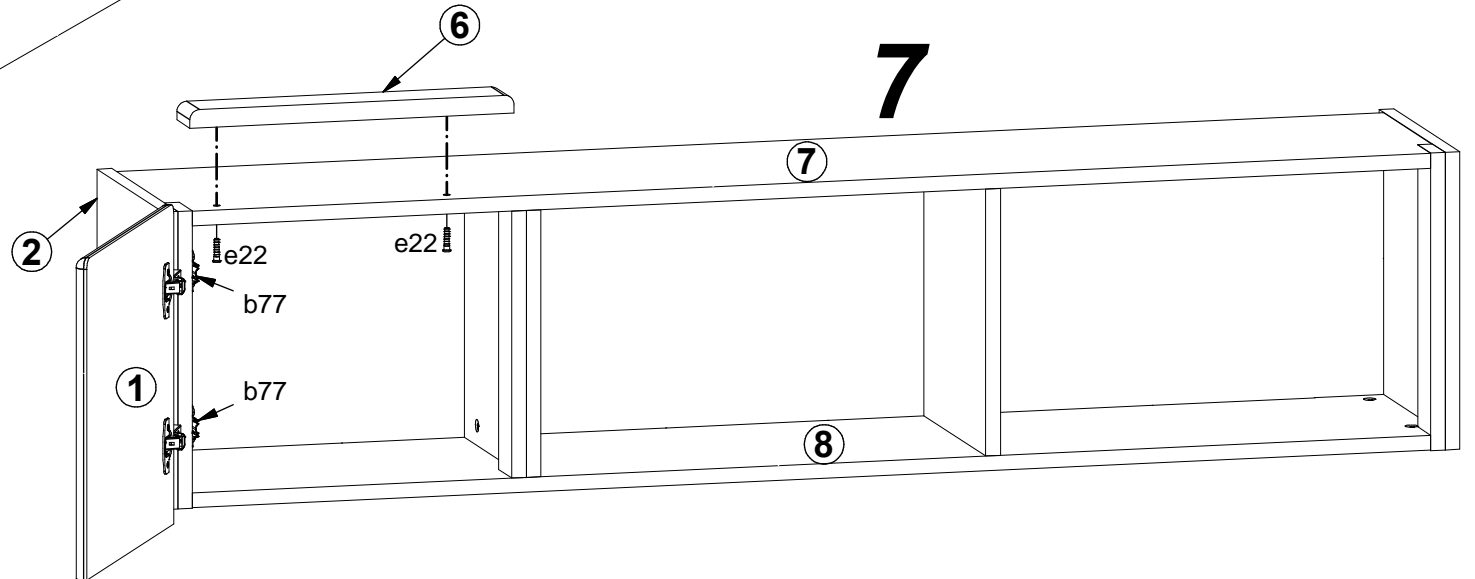
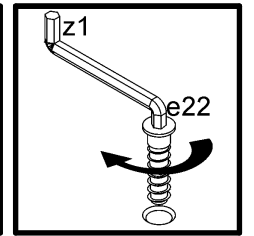
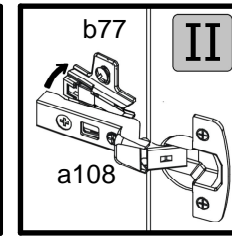
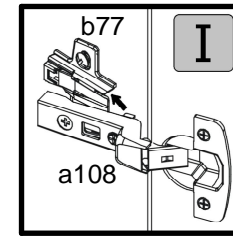
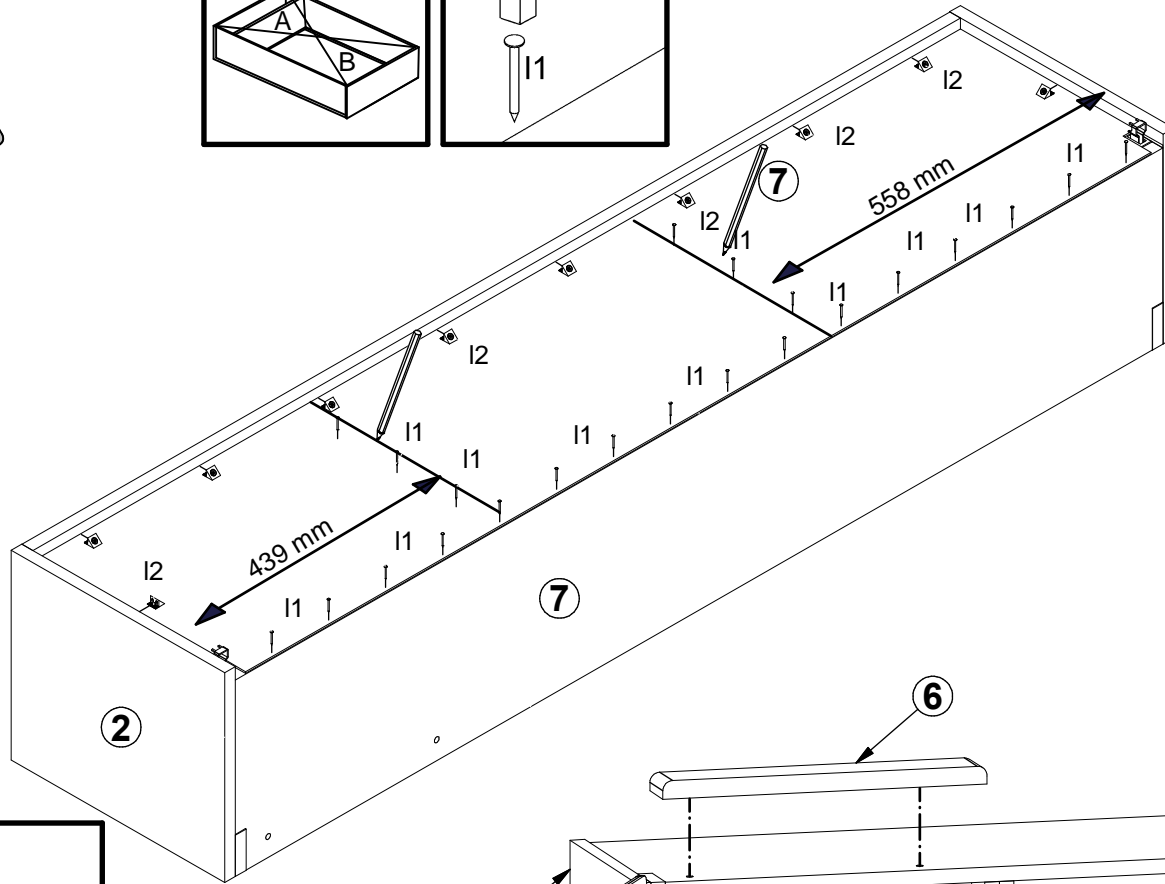
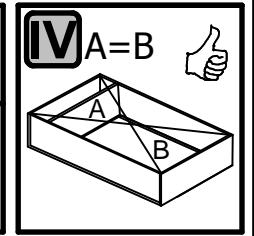
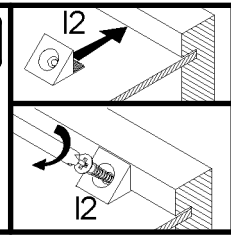
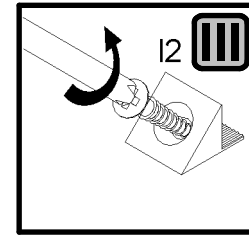
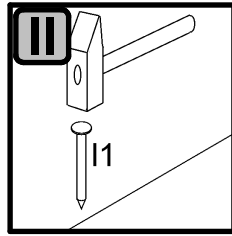
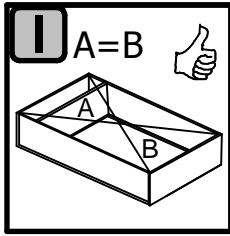
1



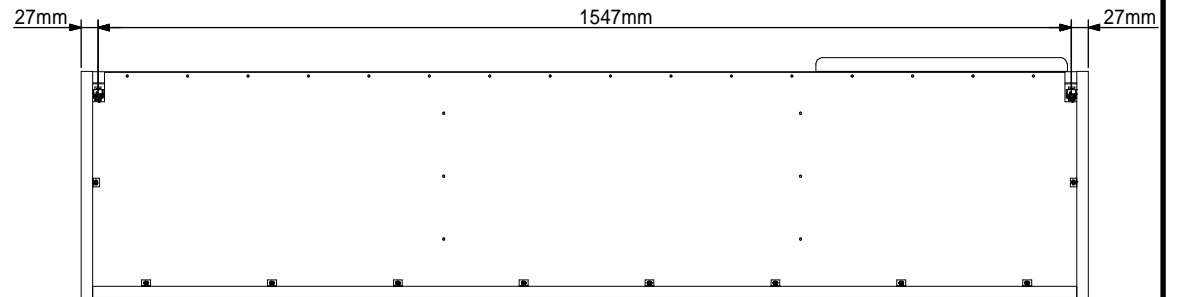
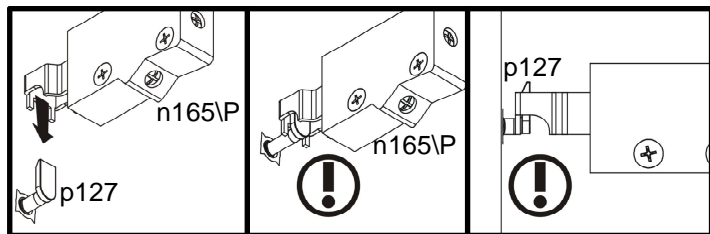
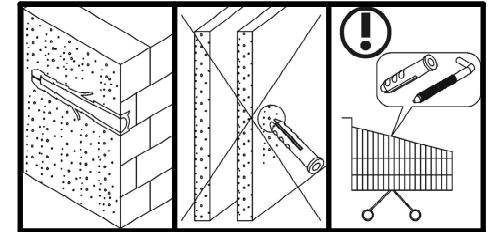
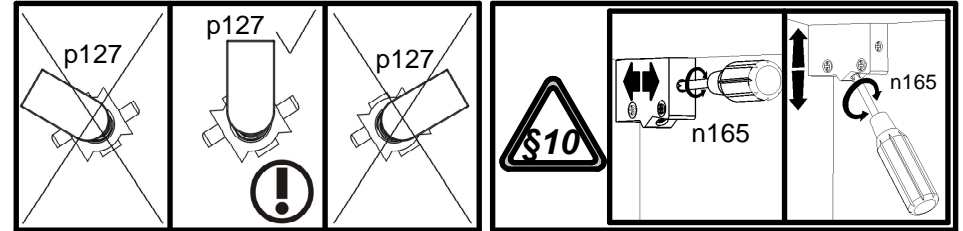
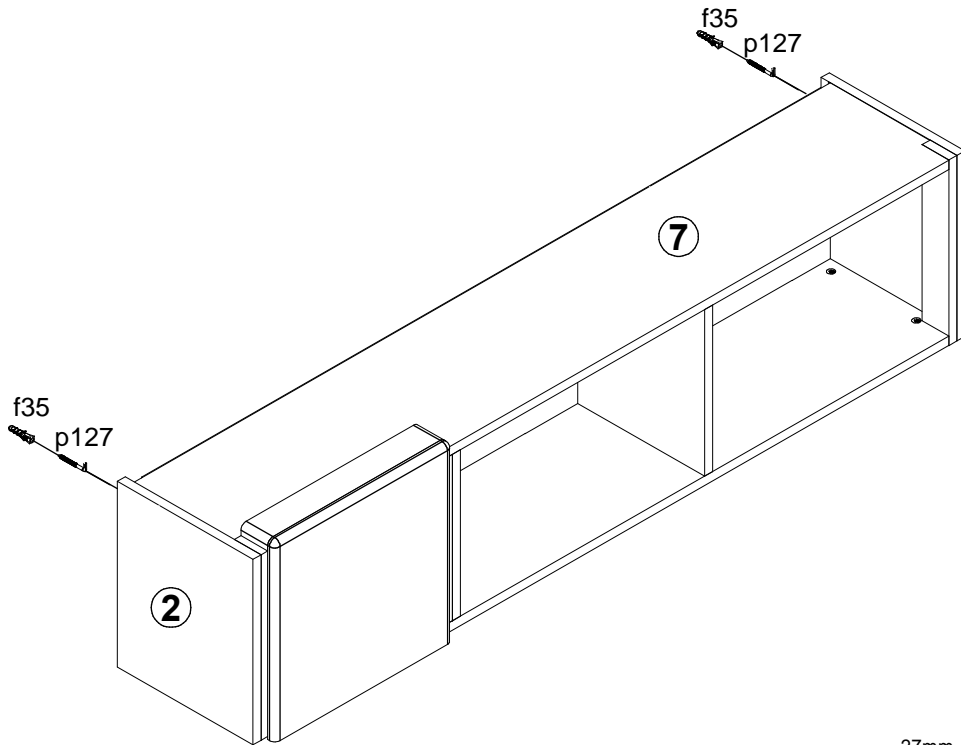
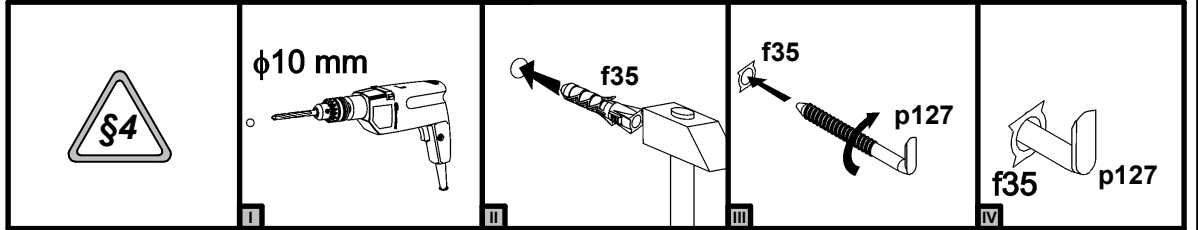




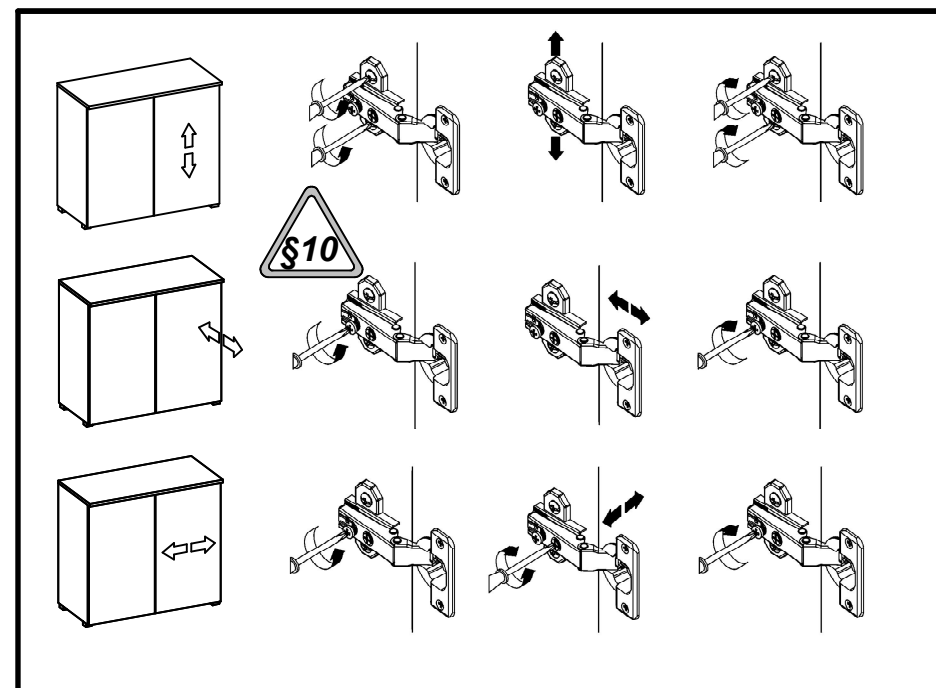
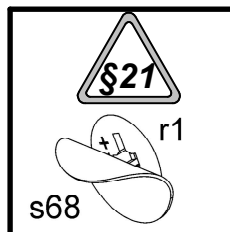
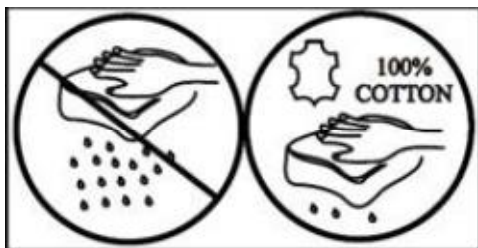
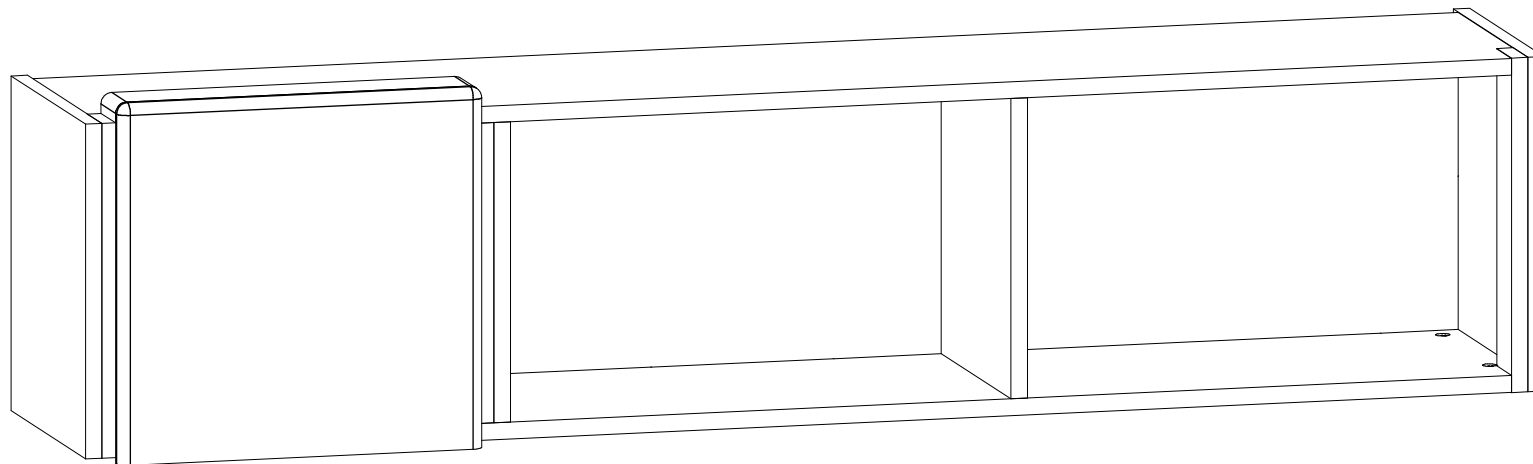
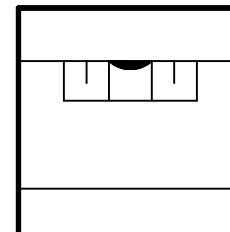
6



8



9





A	B	C (mm)		D
10	S232-0031	388	400	2/2
11	S232-2015	400	60	2/2

