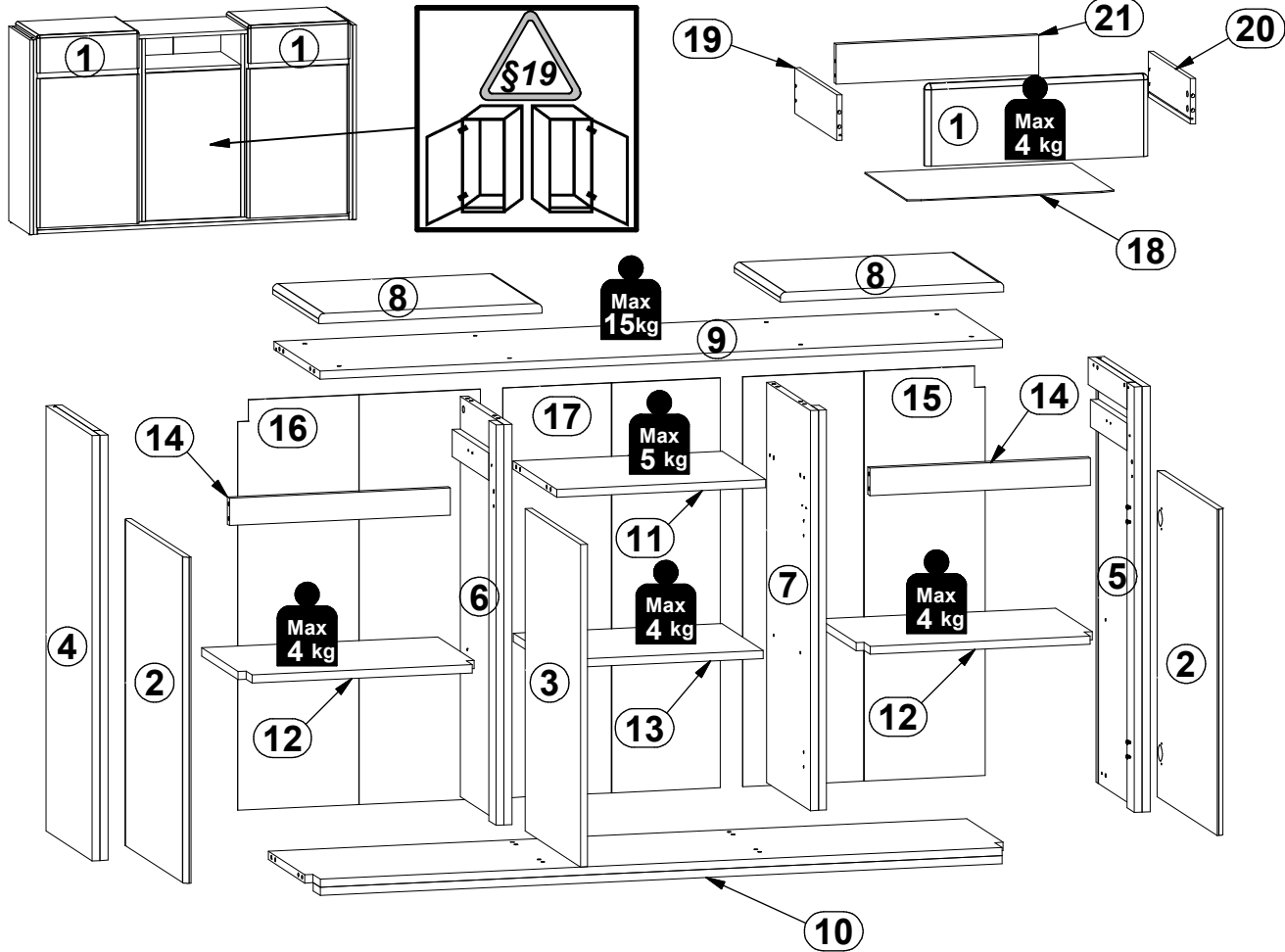
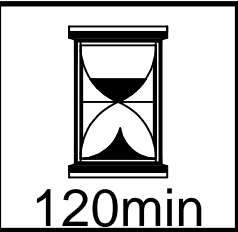
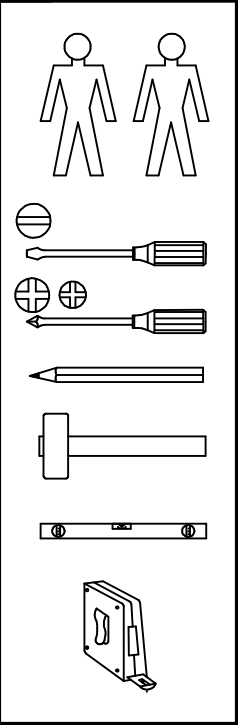


A S232-KOM3D2S/10/16

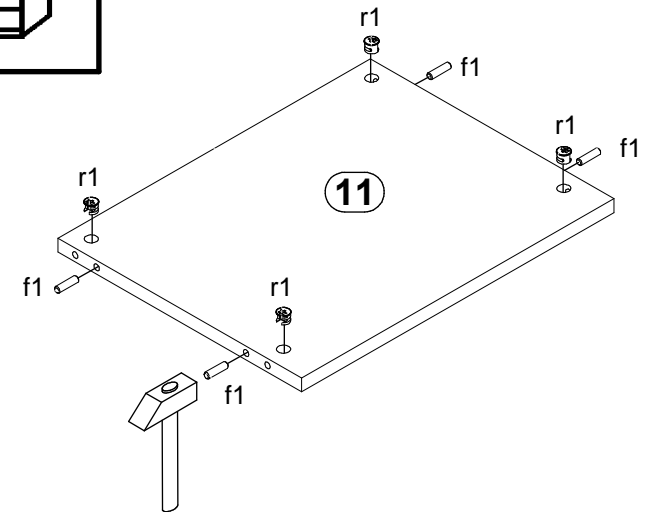
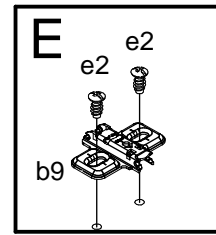
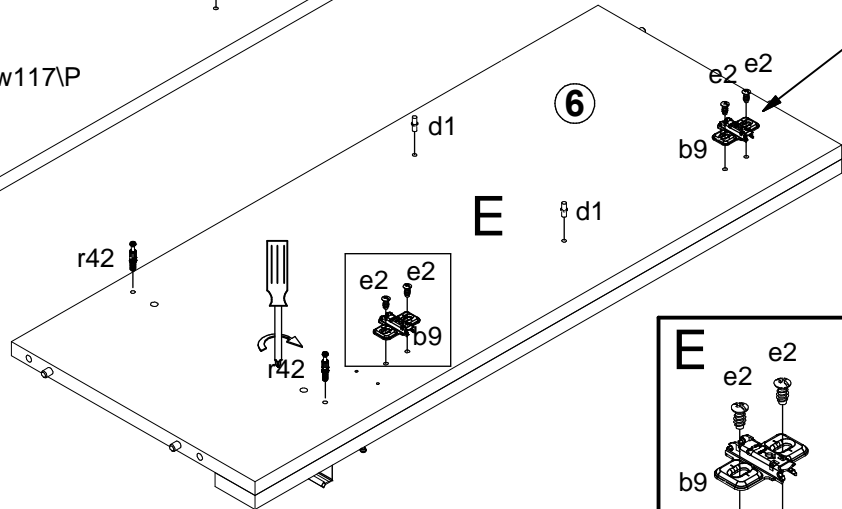
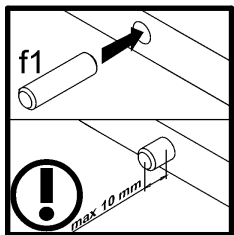
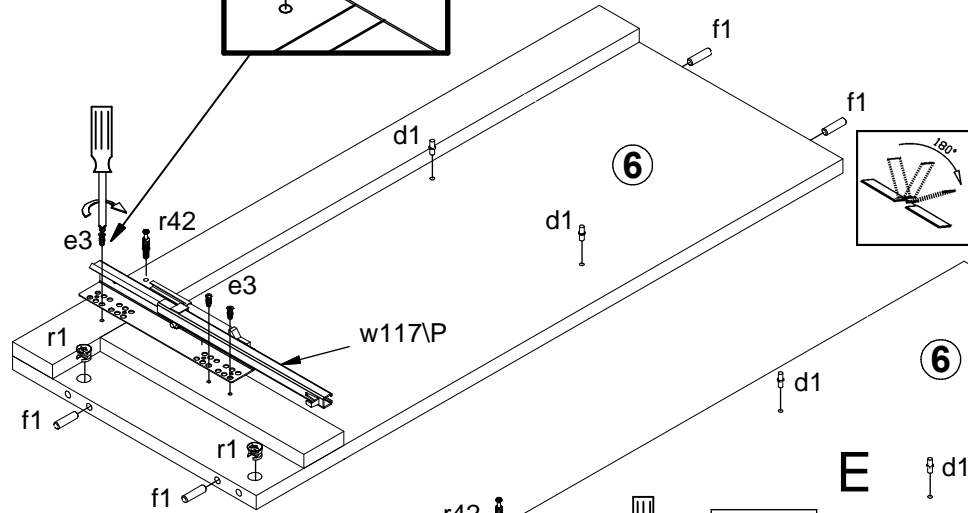
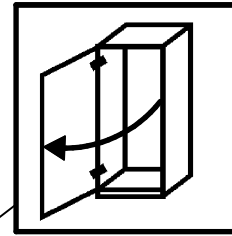
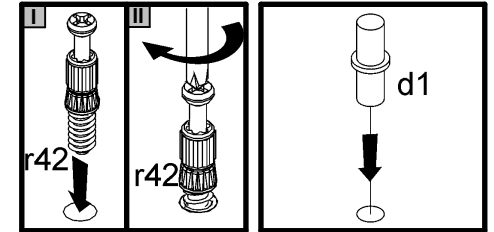
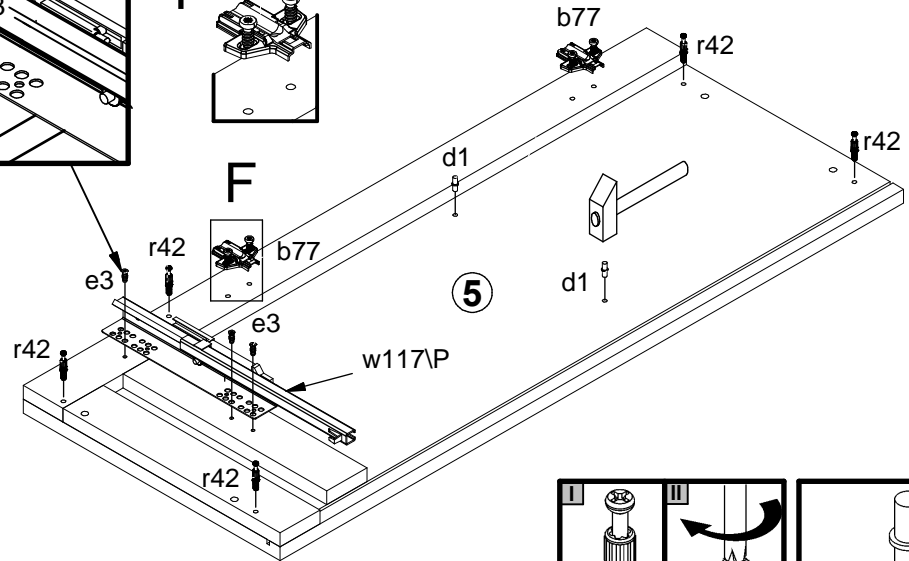
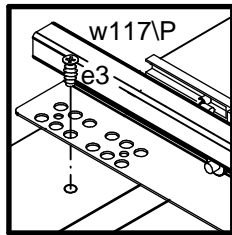
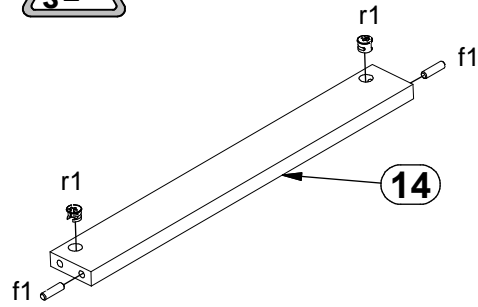
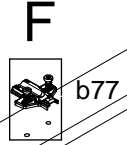
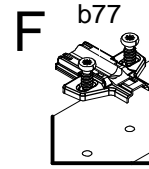
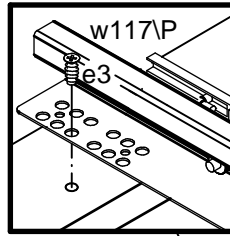
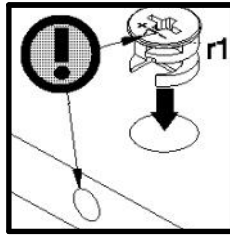


A	B	C (mm)	D	
1	S232-0007	180	500	3/3
2	S232-0009	716	500	3/3
3	S232-0037	708	464	3/3
4	S232-1003	934	385	1/3
5	S232-1004	934	385	1/3
6	S232-1005	879	365	1/3
7	S232-1006	879	365	1/3
8	S232-2004	385	500	3/3
9	S232-3005	1528	385	2/3
10	S232-3006	1564	365	2/3
11	S232-3007	468	365	2/3
12	S232-3008	529	355	2/3
13	S232-3009	467	345	2/3
14	S232-4002	494	60	2/3
15	S232-9303	900	543	2/3
16	S232-9304	900	543	2/3
17	S232-9305	900	487	2/3
18	WSP-9008	464	358	2/3
19	WSQ2-505	350	100	2/3
20	WSQ2-506	350	100	2/3
21	WTQ-5088	454	87	2/3

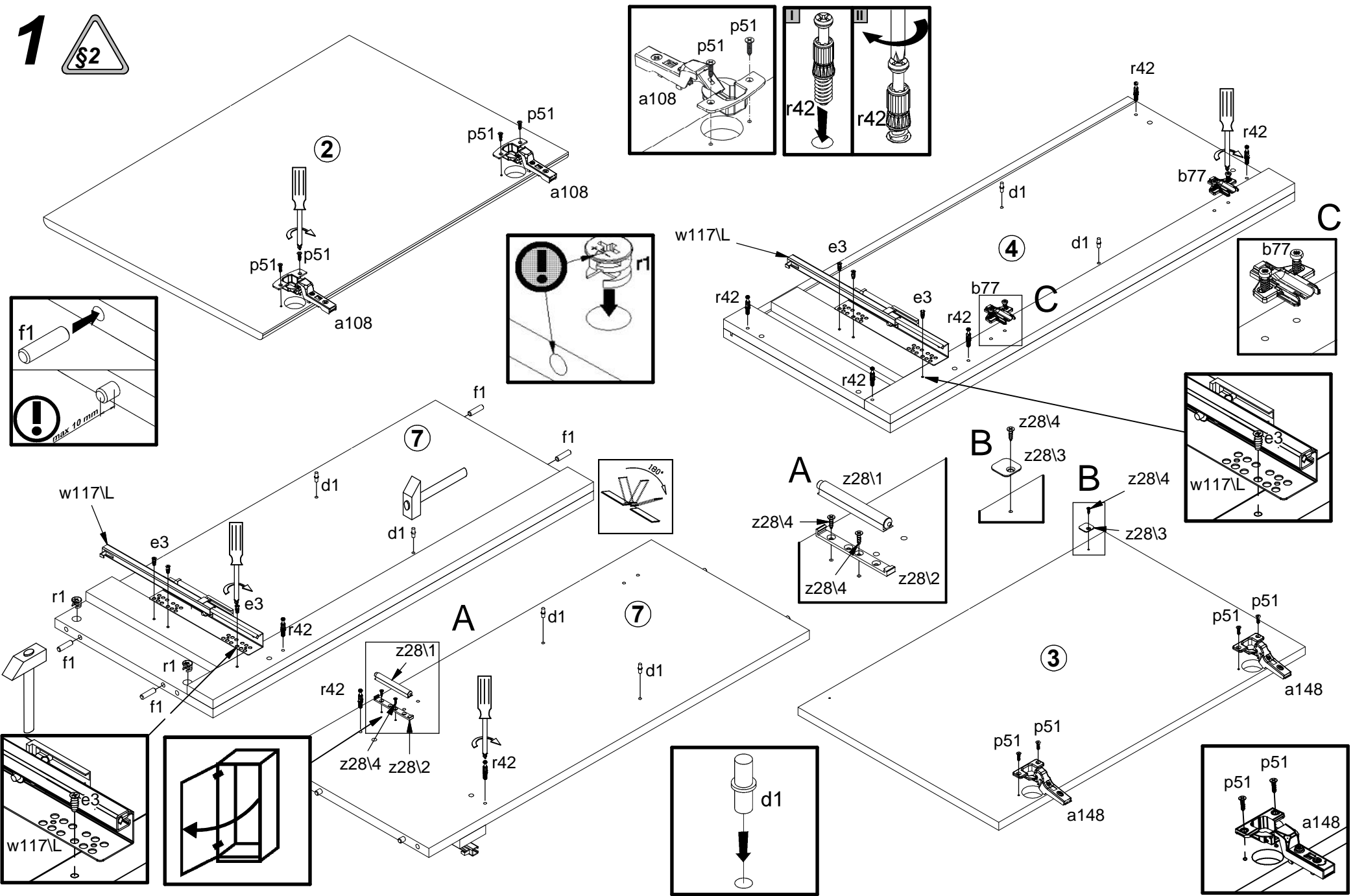


4x 95°: citty domyki a108	2x K16: ø35 a148	2x b9	4x b77	12x Ø5x17 mm d1	4x Ø7x50 mm e1	12x Ø6x13 mm e3	8x Ø7x28 mm e22	24x Ø8x30 mm f1	8x Ø6.5x40 mm f25	6x k1	26x l1	14x l2
12x 20x13x3.5V n108	8x Ø3.5x16 mm p38	12x Ø3.5x15 mm p51	16x Ø2.9x16 mm p55	20x Ø15x12 mm #16 r1	8x Ø12x10.5 mm #12 r15	28x r42	4x Ø20mm s68	2x 350 mm W117\L	2x 350 mm W117\P	1x z1	1x z28\1	1x 82x9.5x6.5mm z28\2
1x 20x20x1.5 mm z28\3	3x Ø3x12mm z28\4	4x Ø6.3x13 mm e2								1x Ø3.5x16 mm p38	1x n26\1	

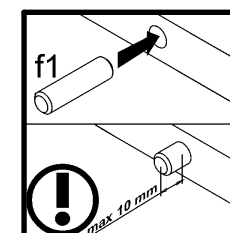
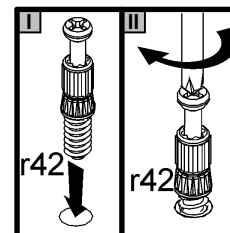
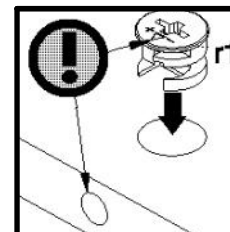
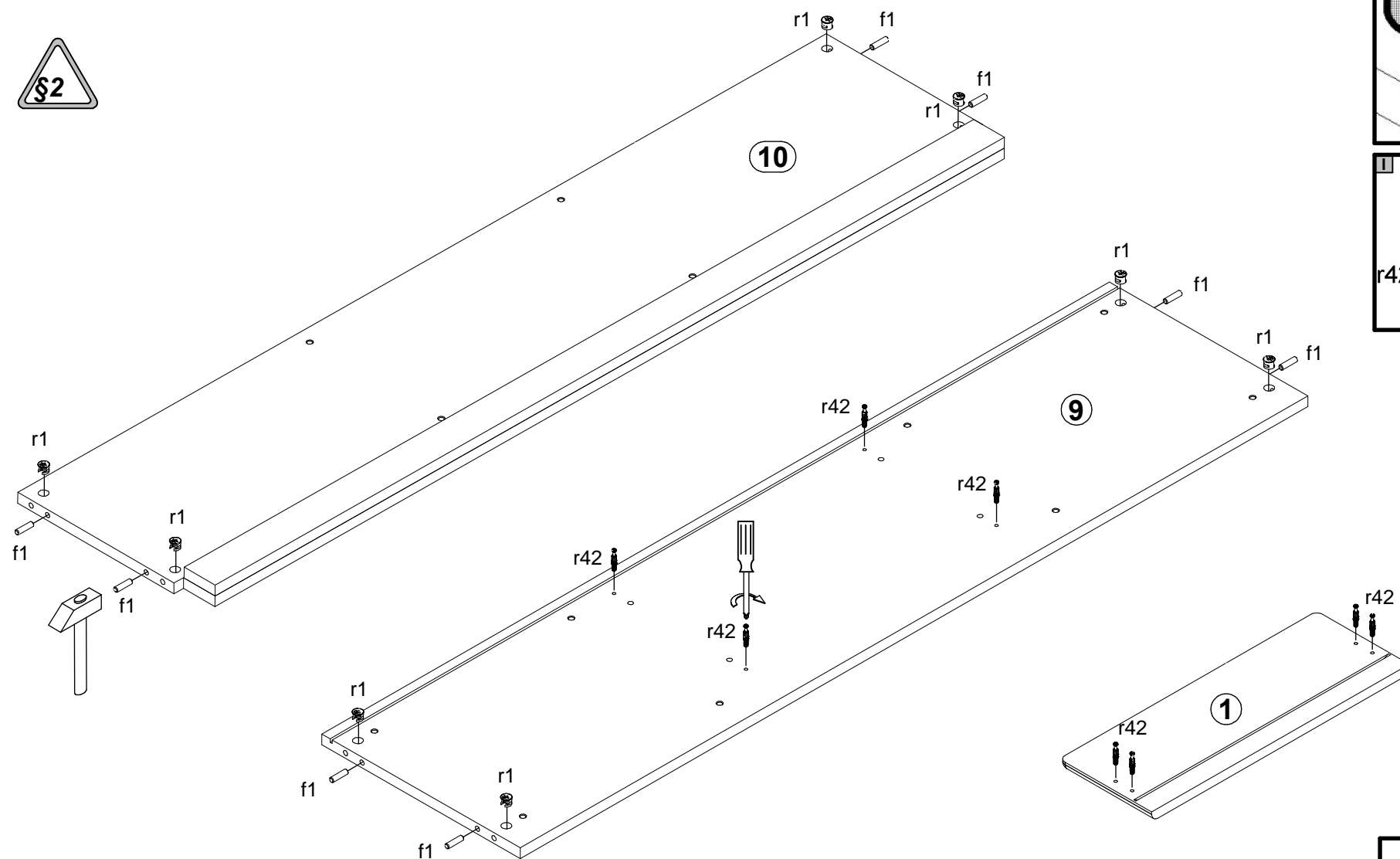
1 



1 

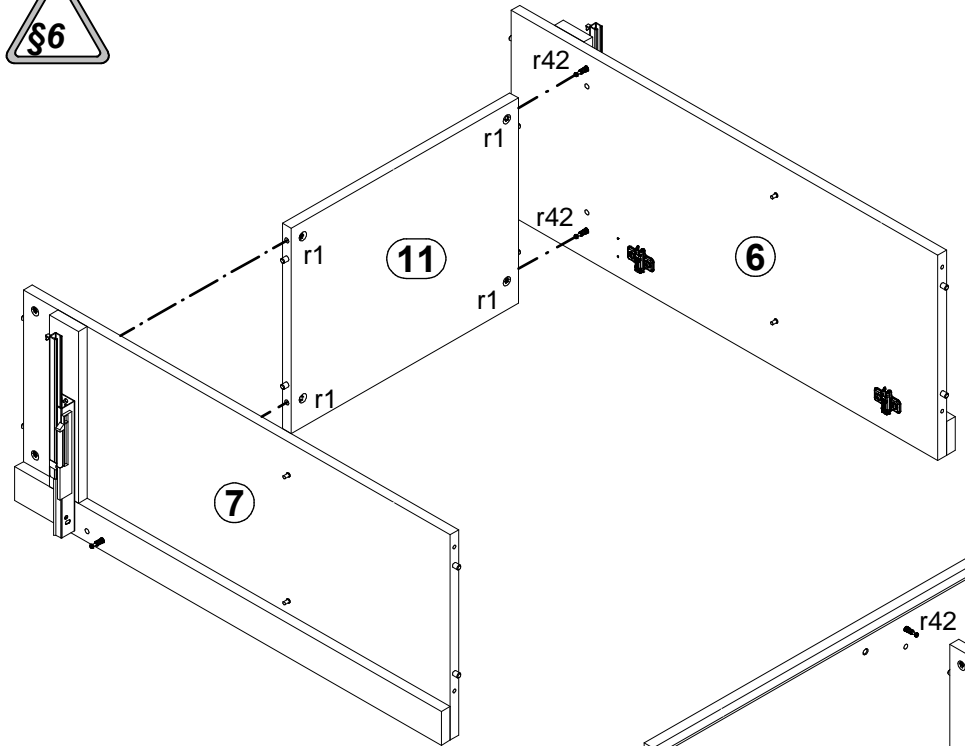
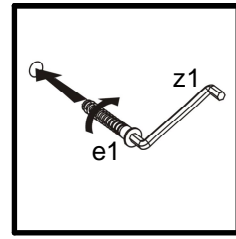


1

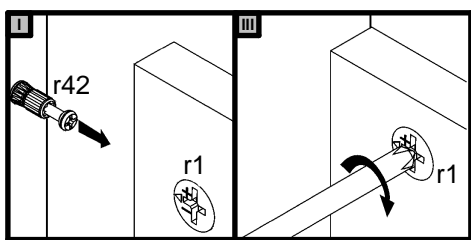
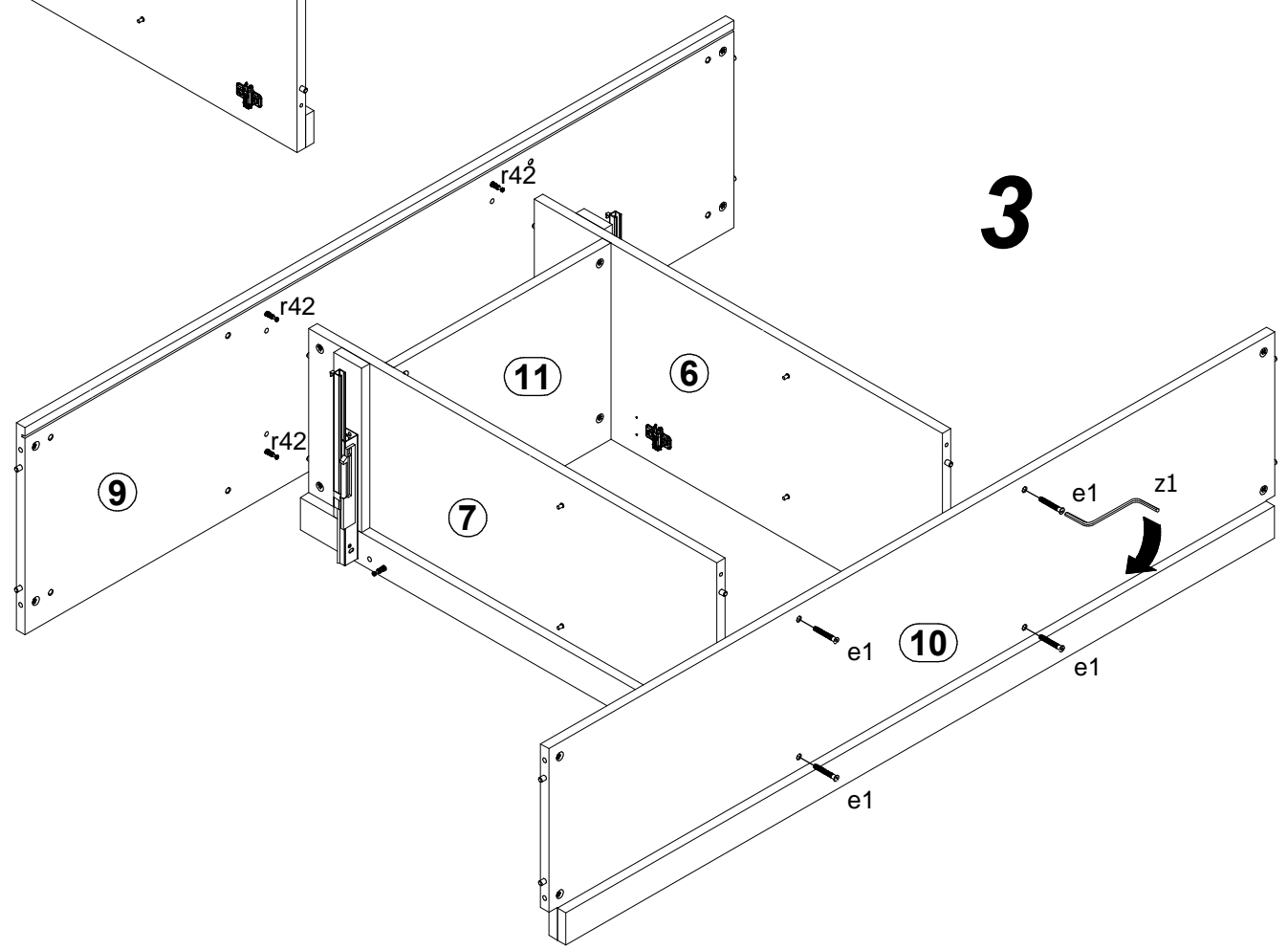


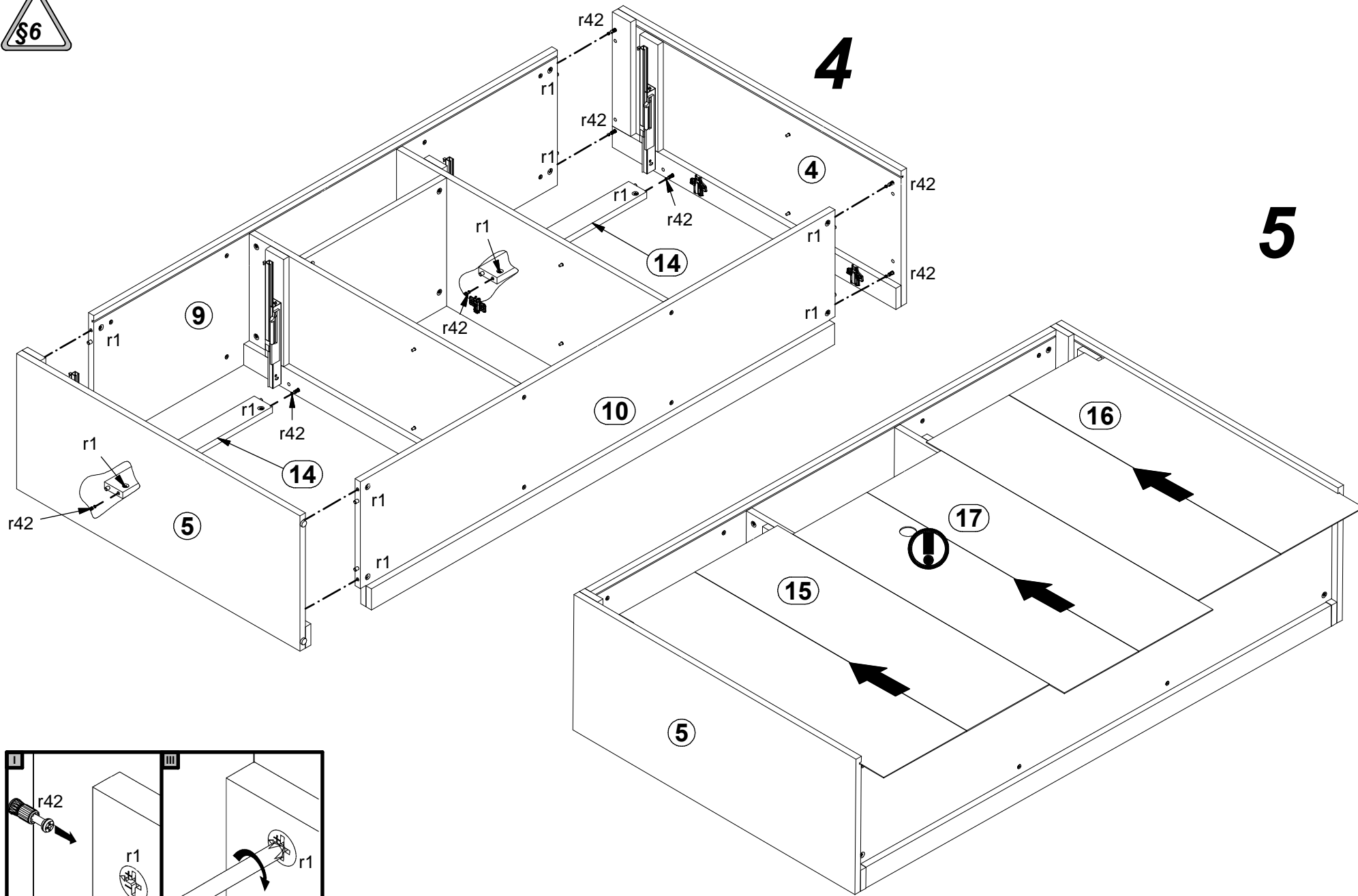


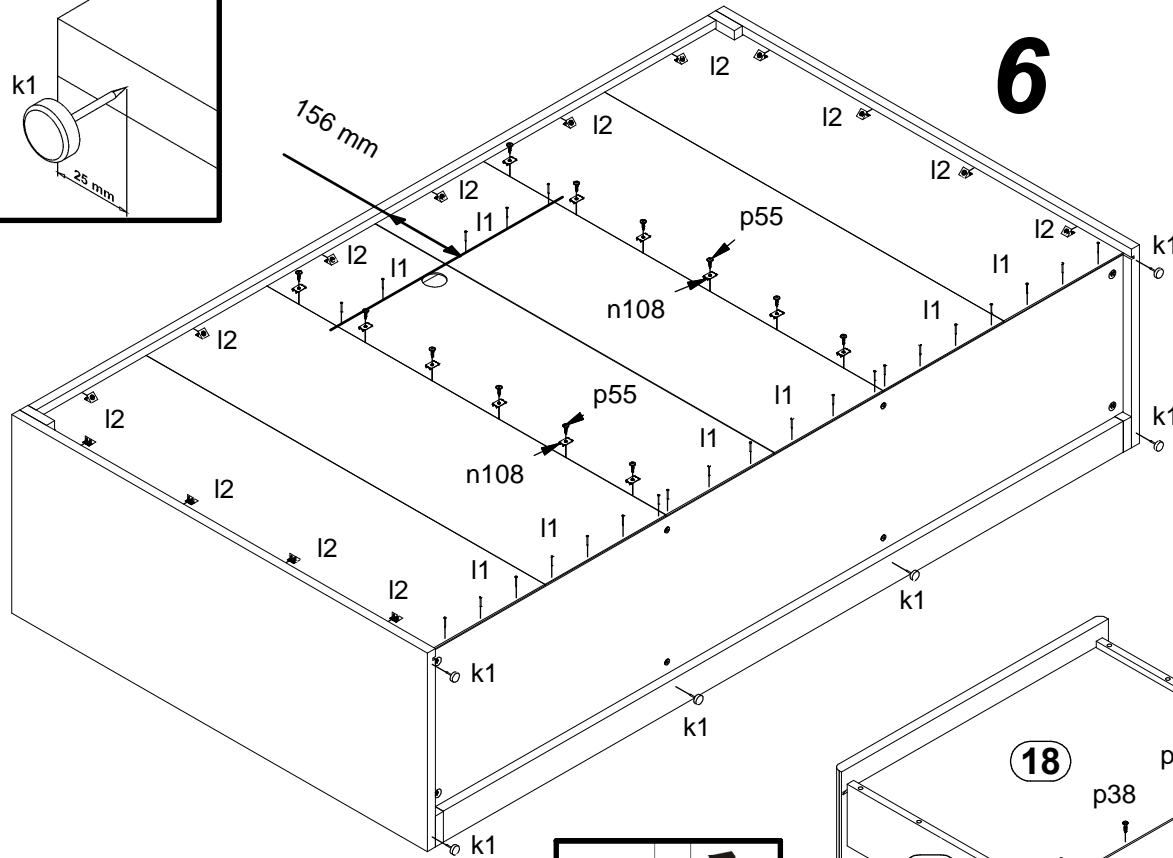
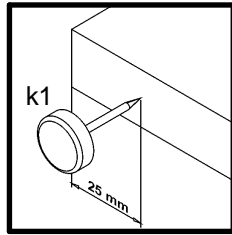
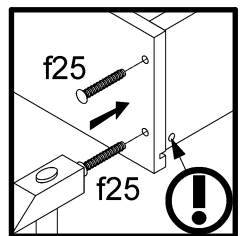
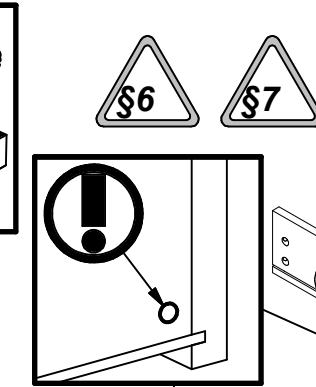
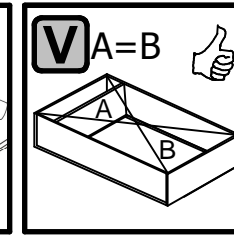
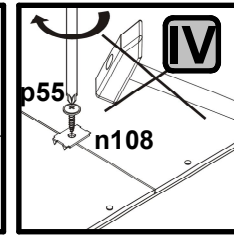
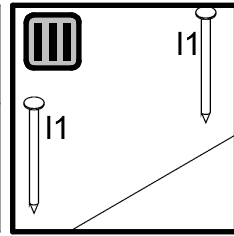
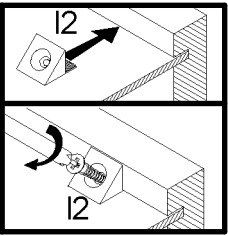
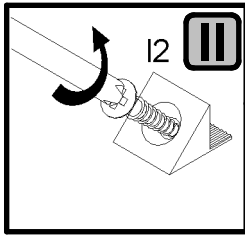
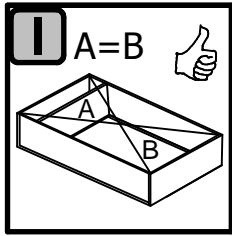
2



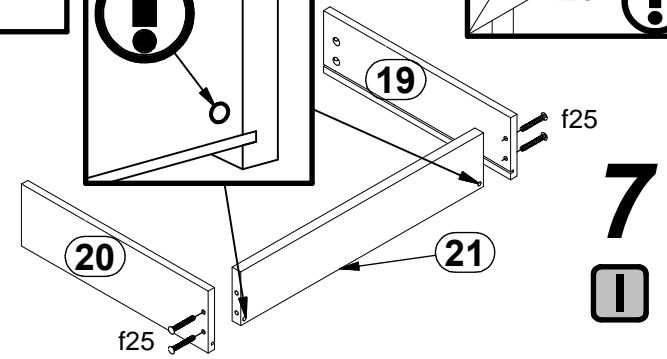
3



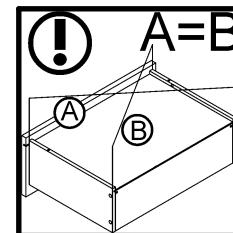
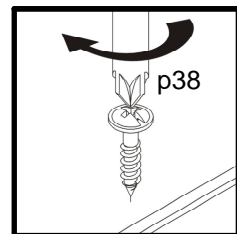
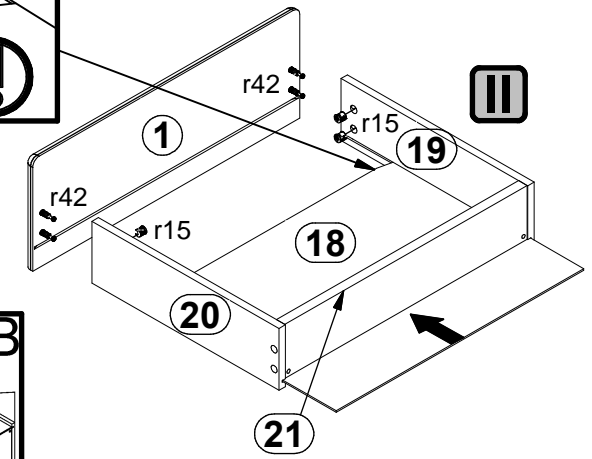
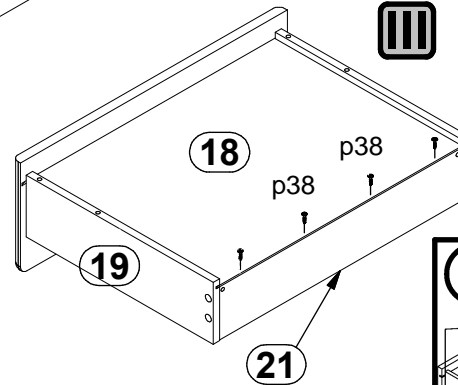
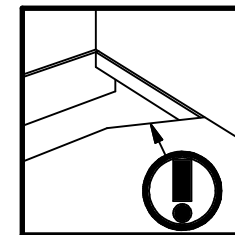
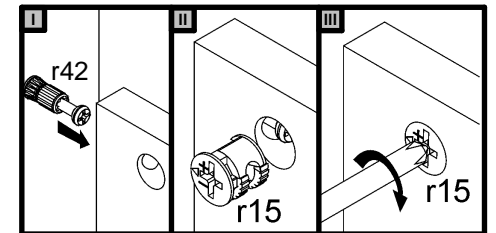


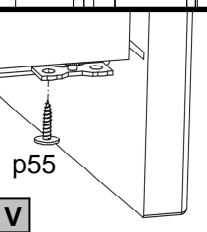
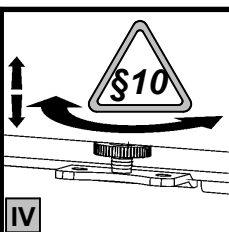
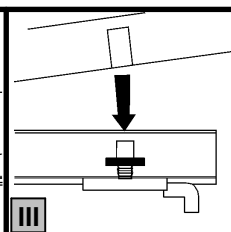
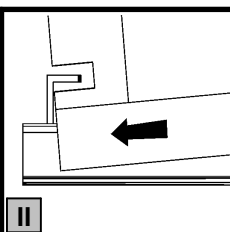
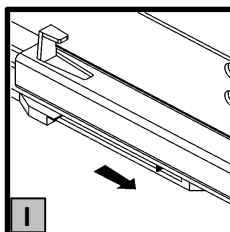
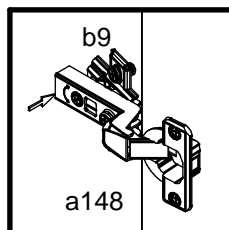
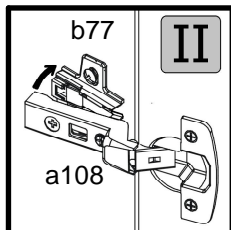
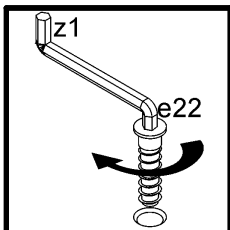
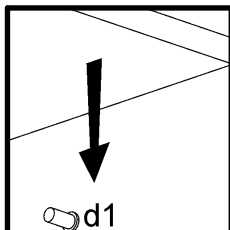
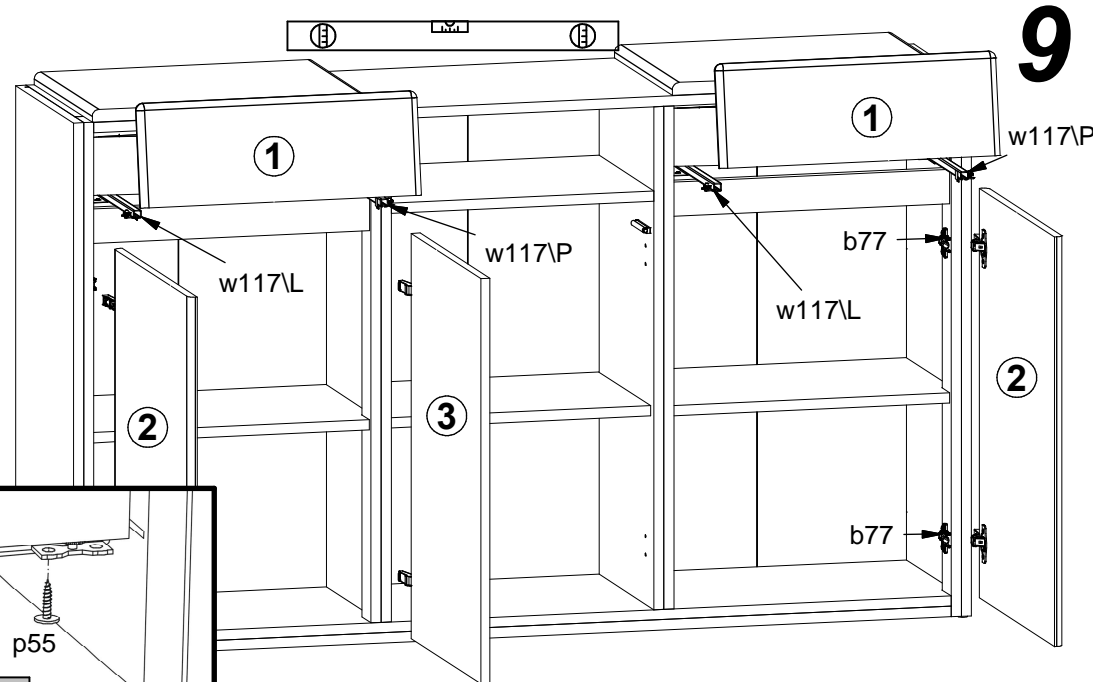
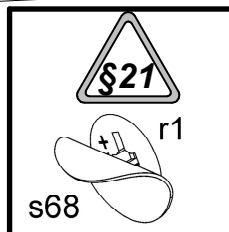
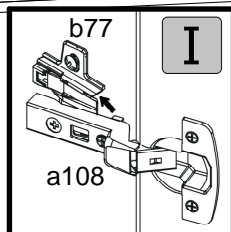
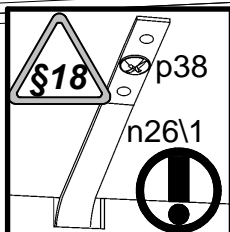
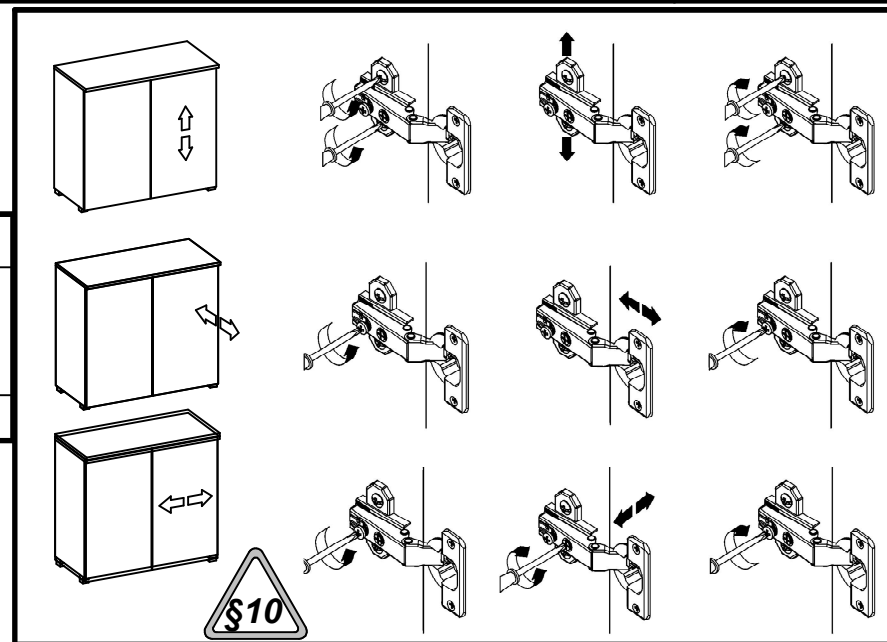
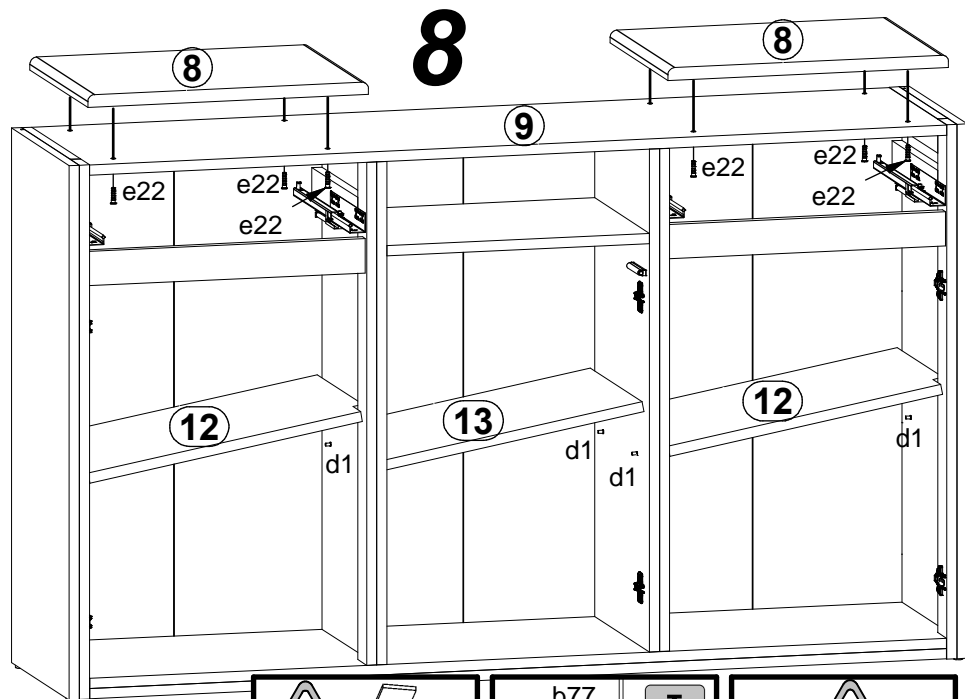


6



7
I







A	B	C (mm)		D
22	S232-0005	180	500	3/3
23	S232-0010	716	500	3/3
24	S232-0011	708	464	3/3
25	S232-0036	716	500	3/3
26	S232-2003	500	385	3/3

