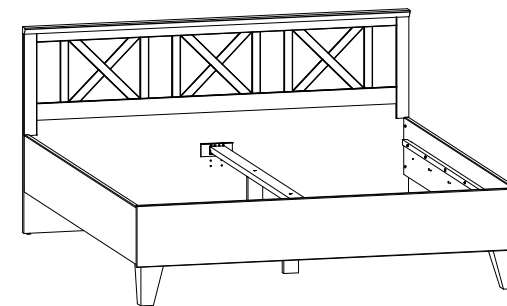
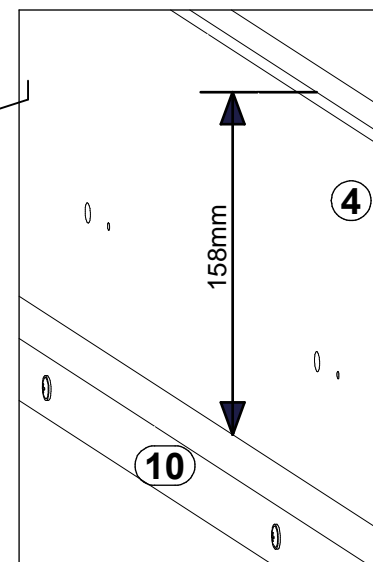
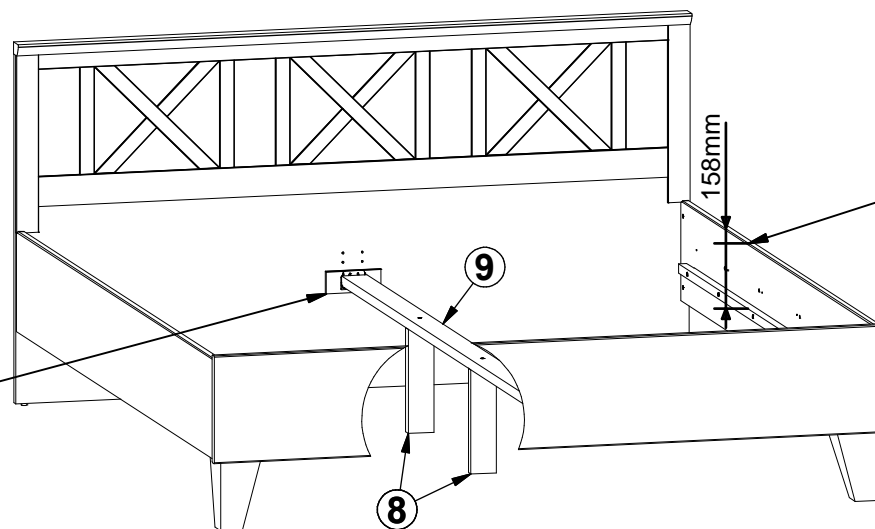
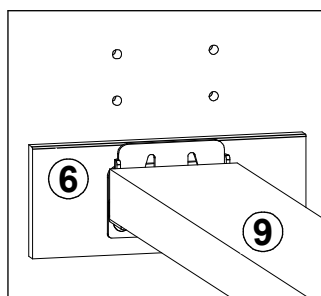
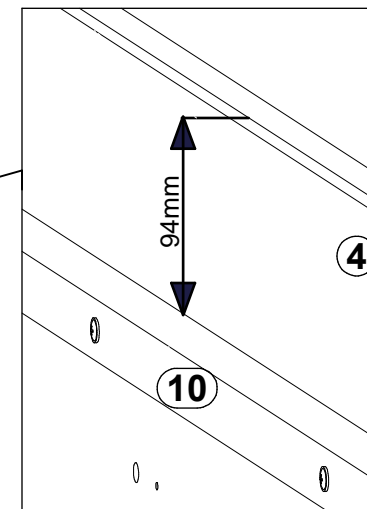
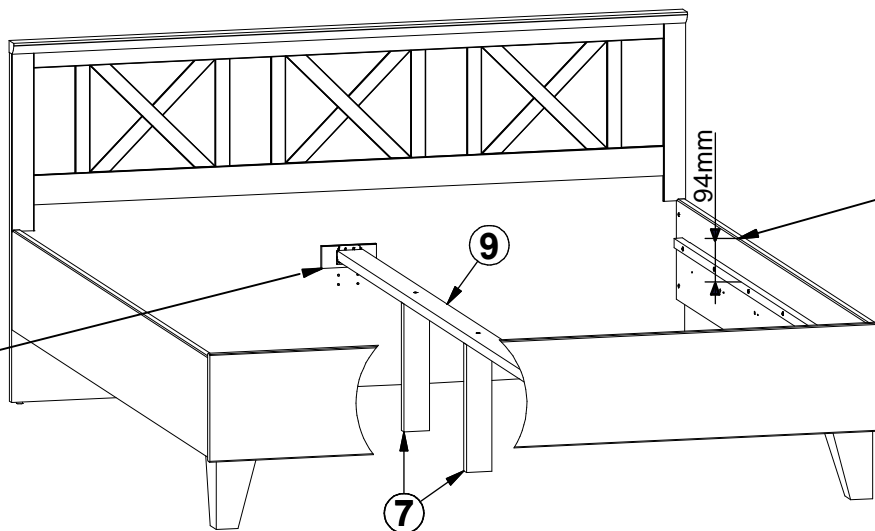
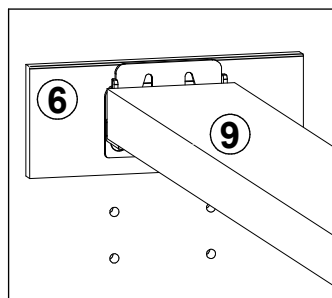


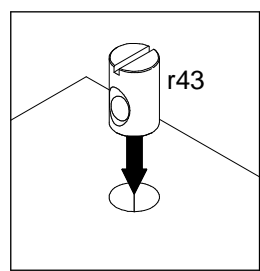
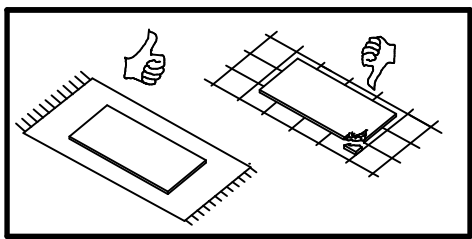
A	B	C (mm)		D
1	S239-0010	1646	290	1/3
2	S239-0011	1646	938	1/3
3	S239-1007	2008	270	2/3
4	S239-1008	2008	270	2/3
5	S239-5725	1647	47	1/3
6	S239-5713	150	60	2/3
7	ZZ1-432	344	70	2/3
8	ZZ1-419	280	70	2/3
9	ZZ1-719	1983	70	2/3
10	ZZ1-755	1880	25	2/3



4x Ø6x13 mm e3	14x Ø6.3x16 mm e7	2x Ø7x60 mm e8	4x Ø6.3x30 mm e23	4x Ø6x20 mm e20	16x Ø8x30 mm f1	4x M6x65 mm j132	2x k1	2x n34 1	2x n34 2	2x n59	6x Ø4x35 mm p6	12x Ø4x40 mm p10
6x Ø3.5x25 mm p16	4x Ø15x15 mm #22 r3	5x Ø20x12 mm #16 r36	5x 6.7/7.8 r37	4x 20 11 r42	4x Ø10x16 mm r43	1x z1	2x k120					



1



3

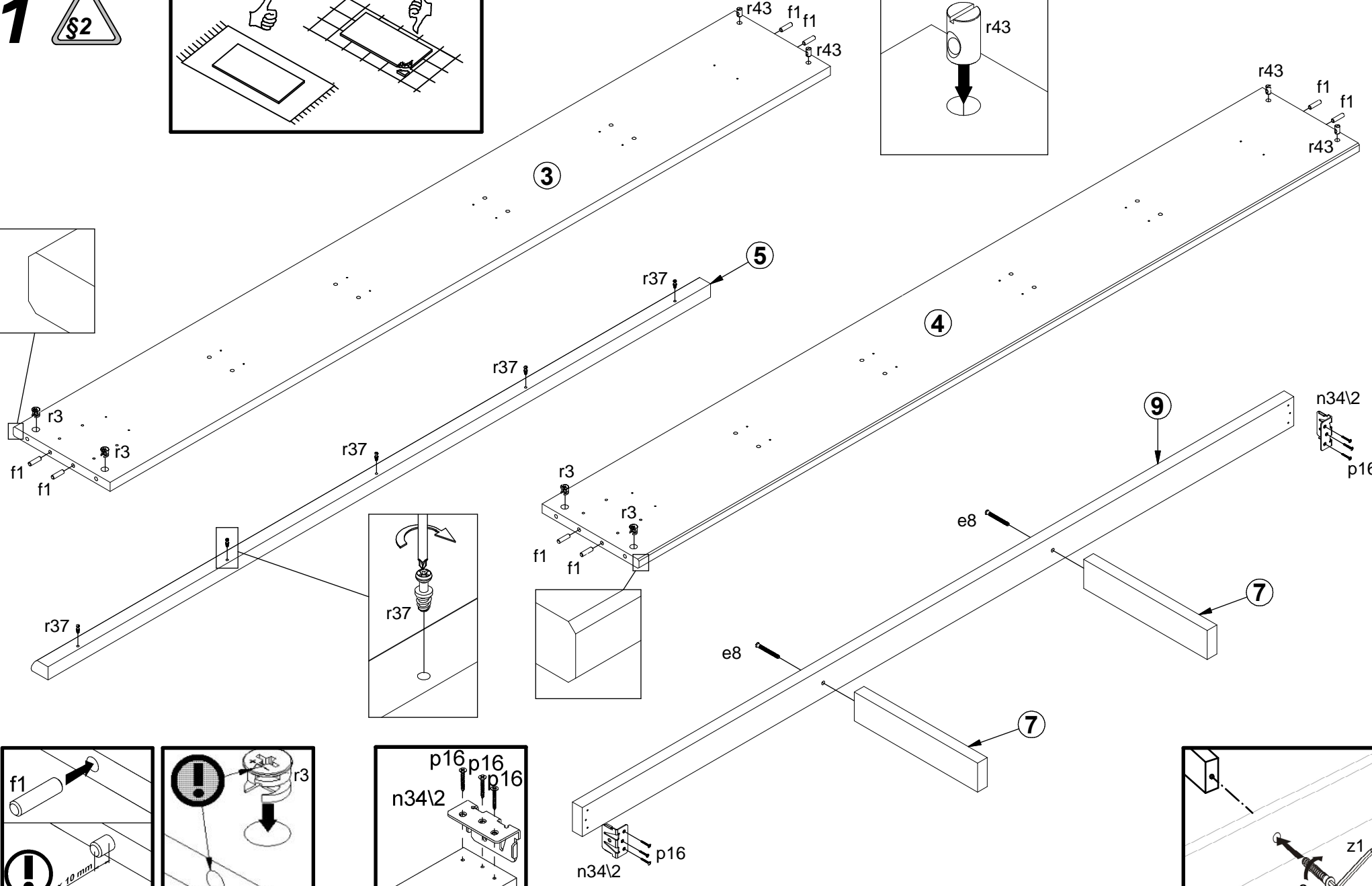
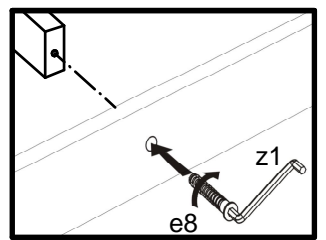
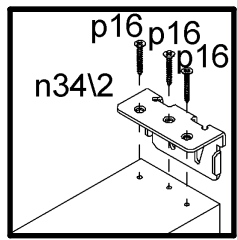
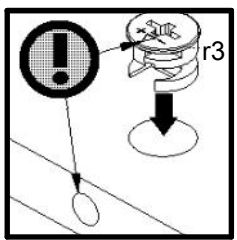
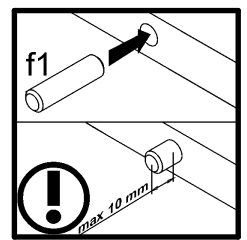
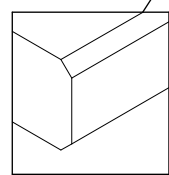
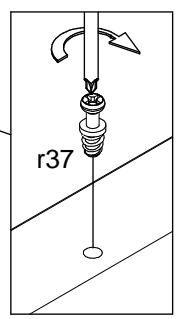
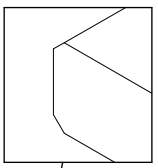
5

4

9

7

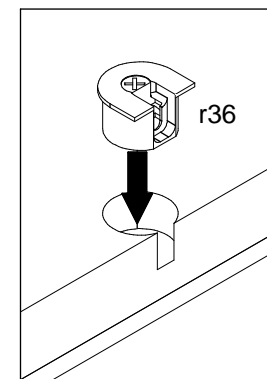
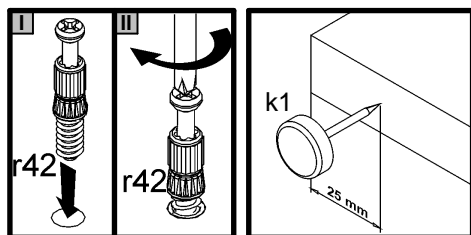
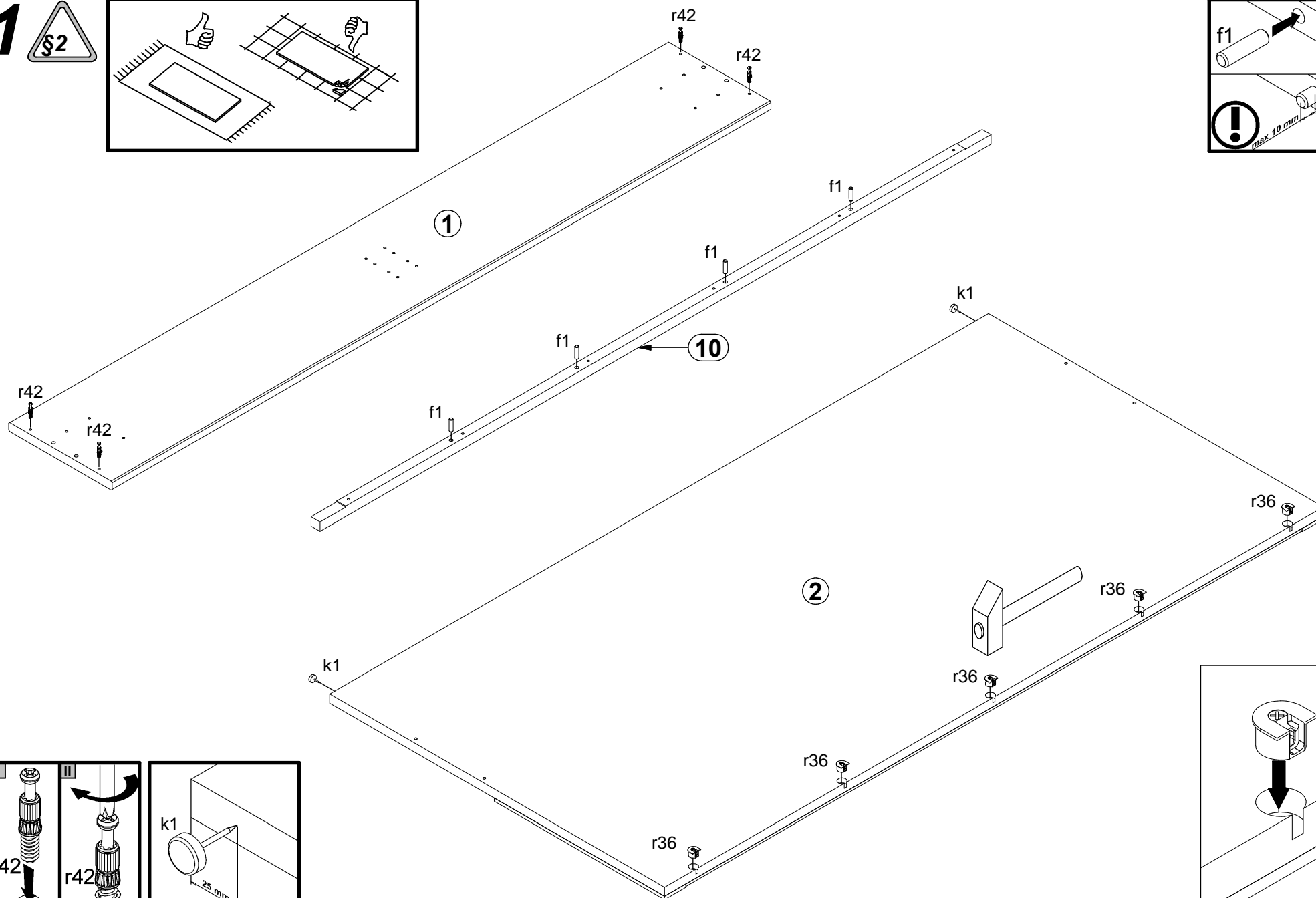
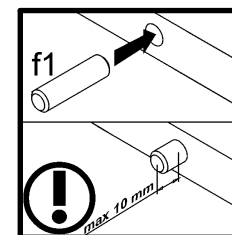
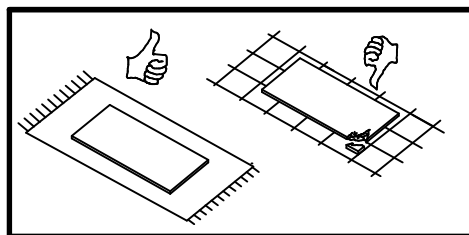
7

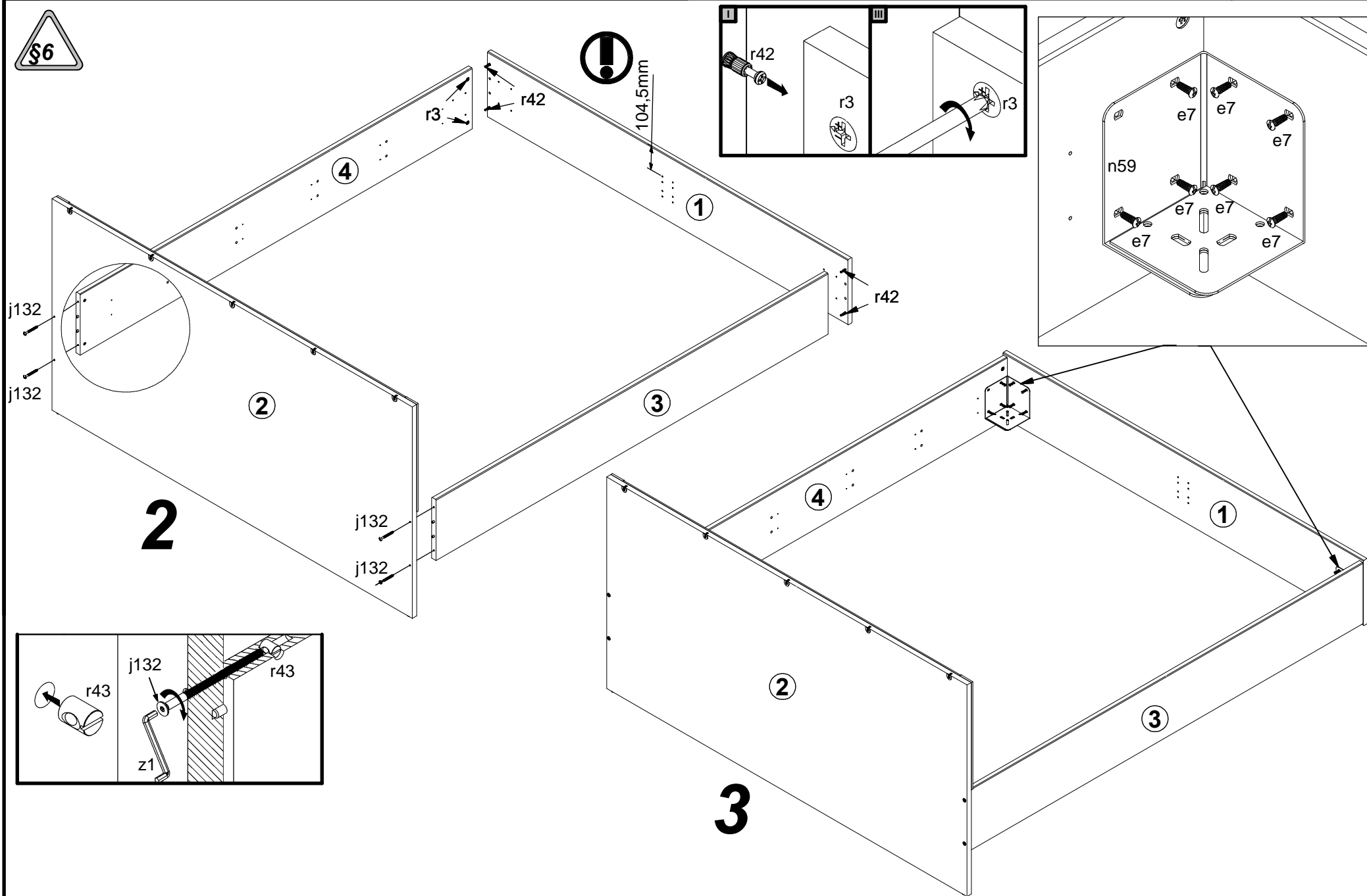


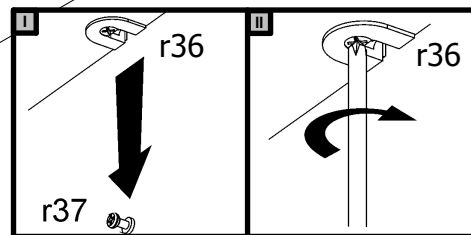
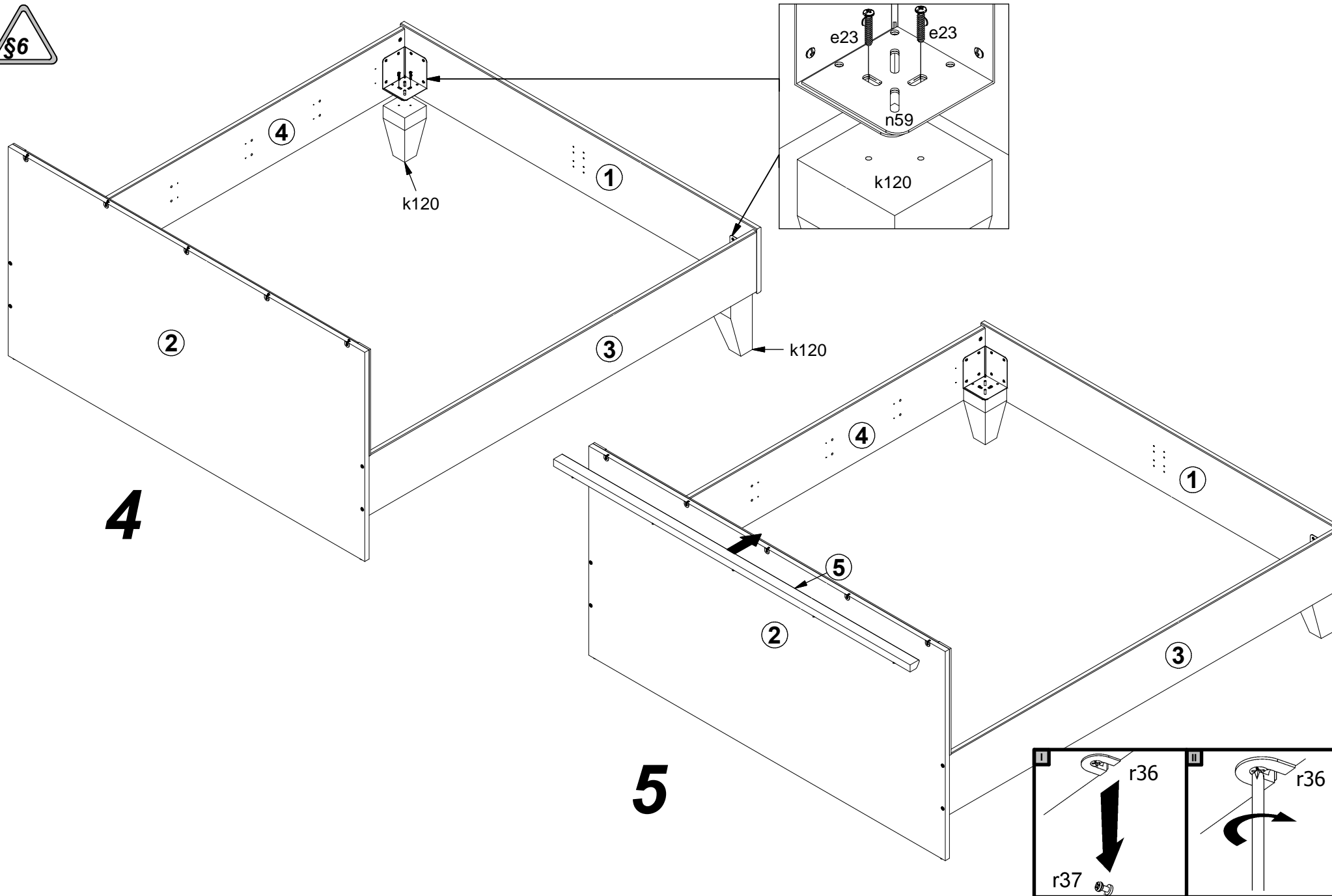
A

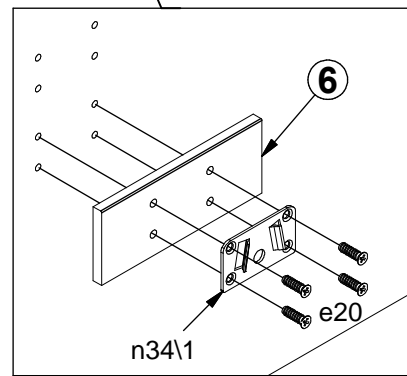
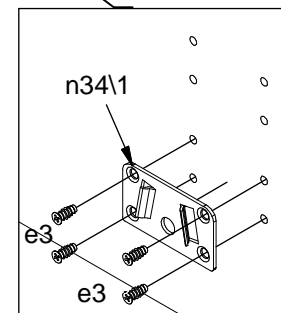
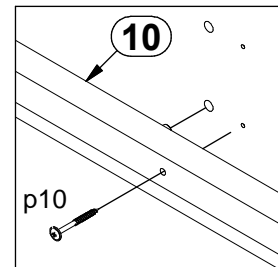
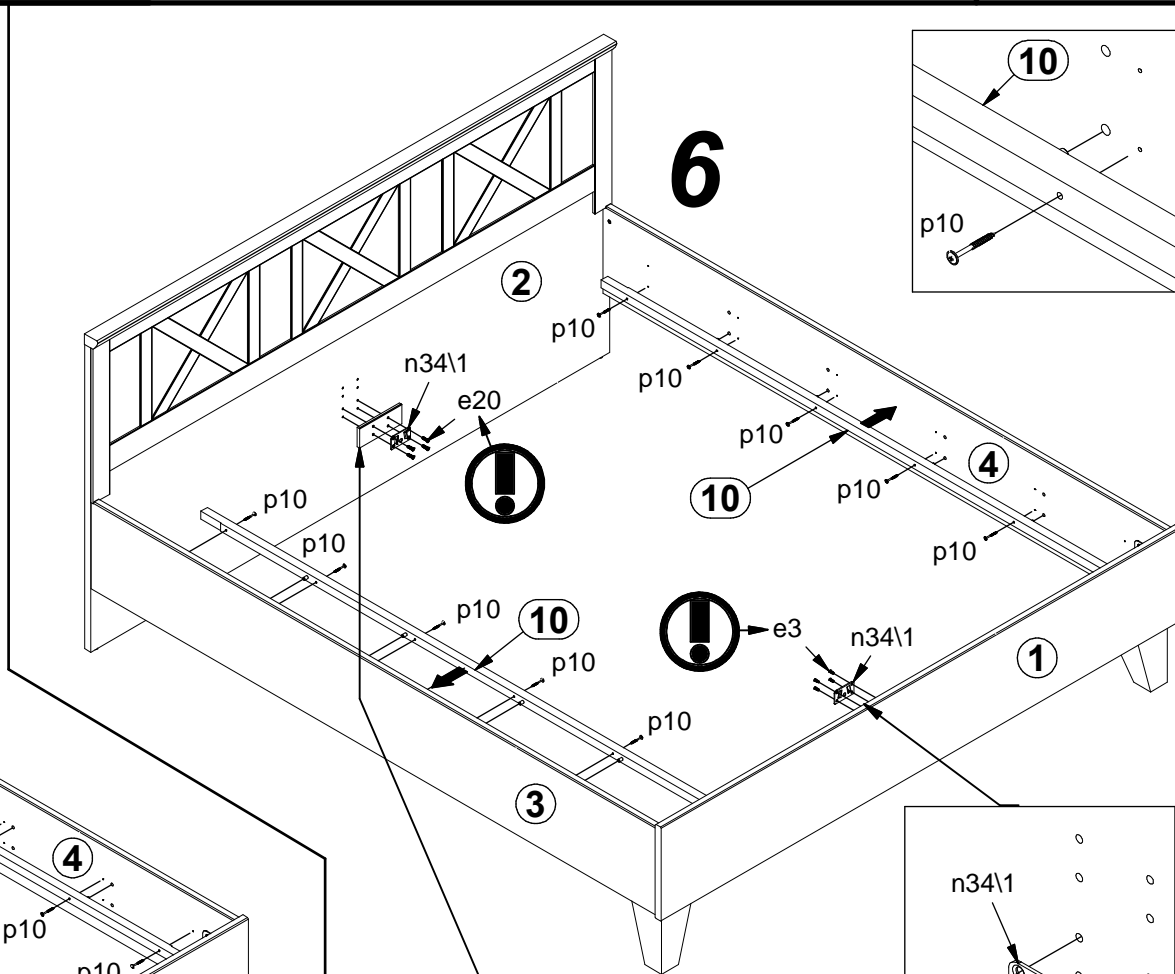
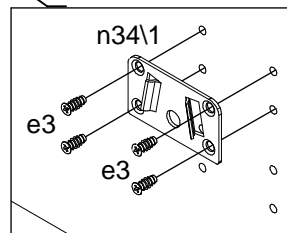
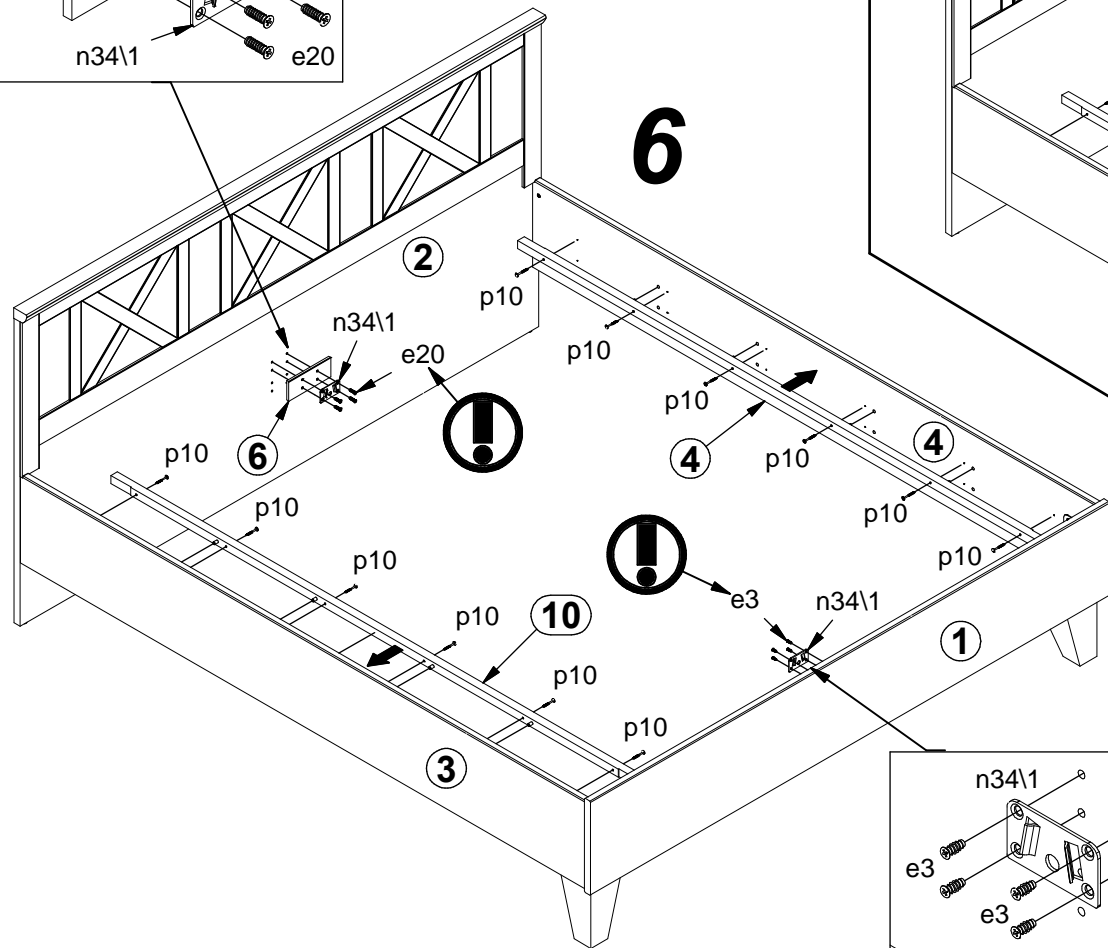
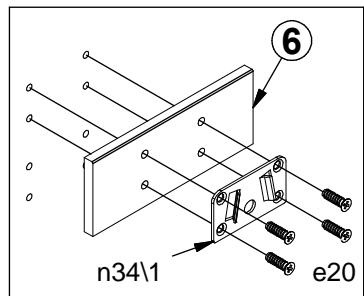
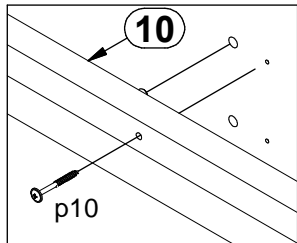
# S239-LOZ/160

# 1





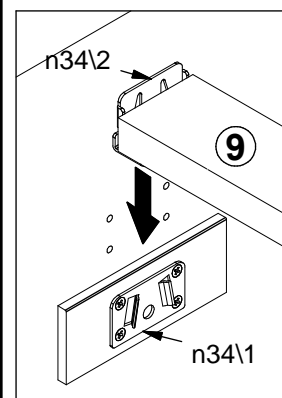
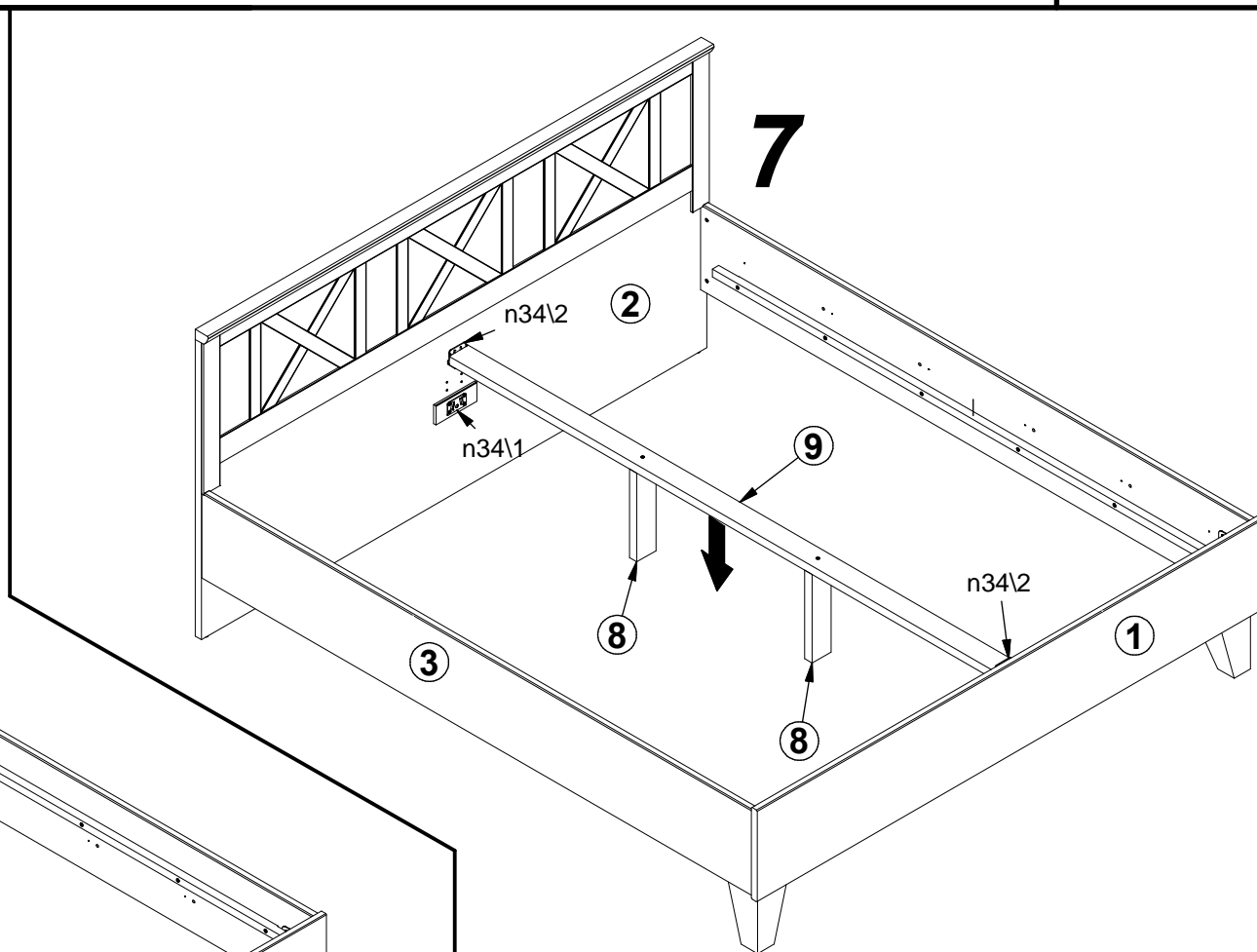
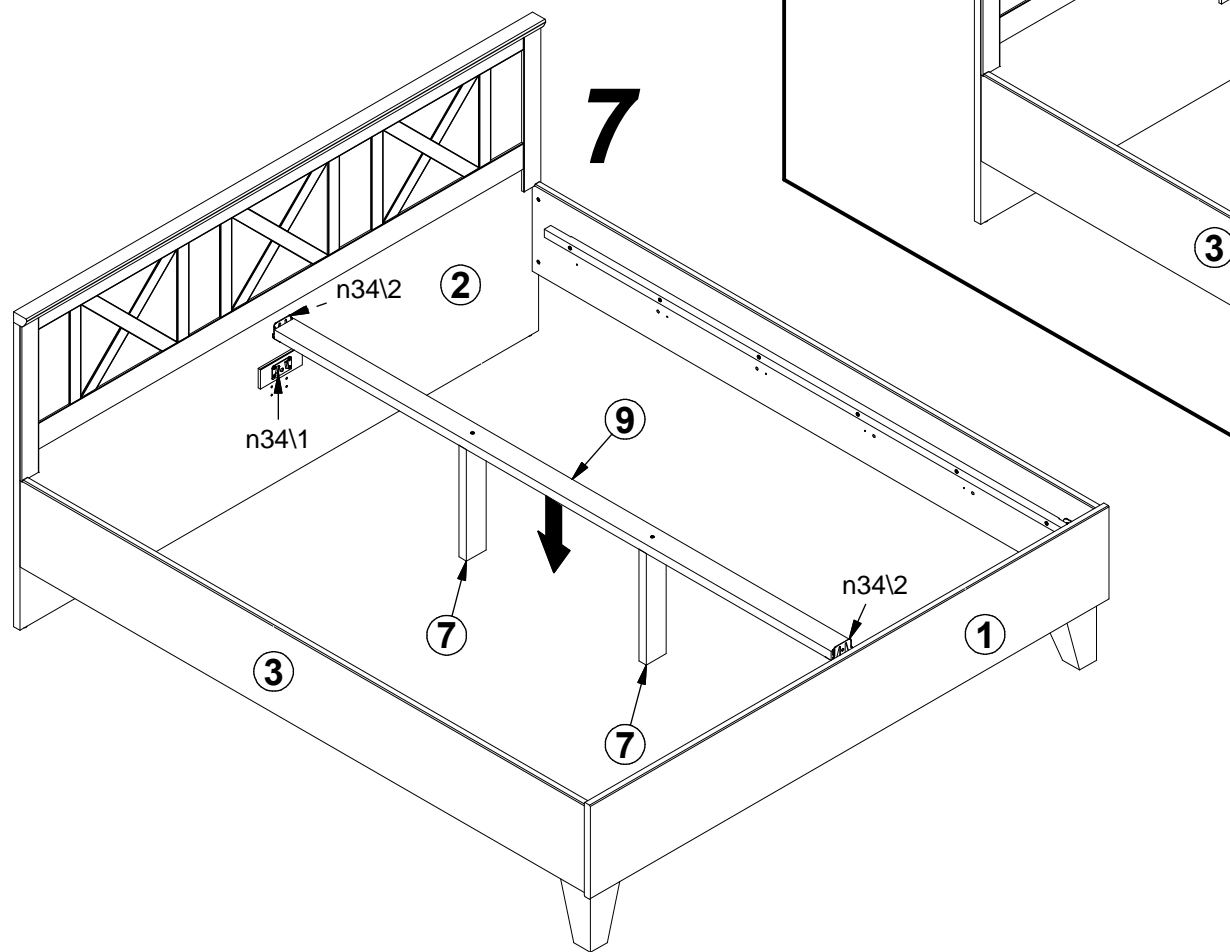
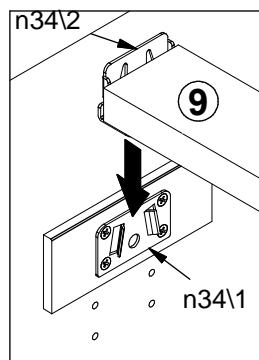








A



B

8

