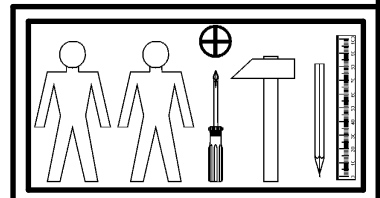
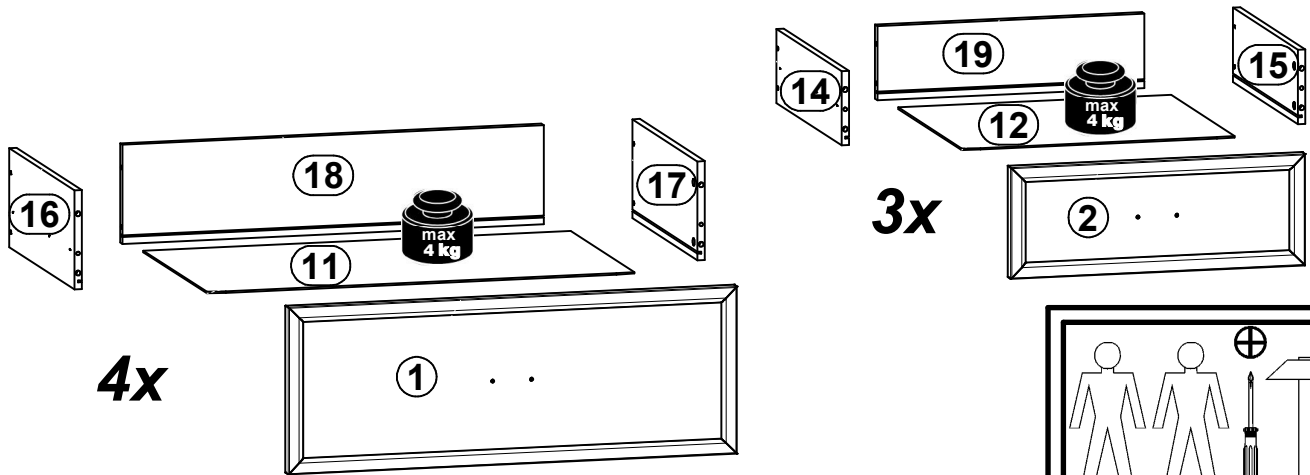
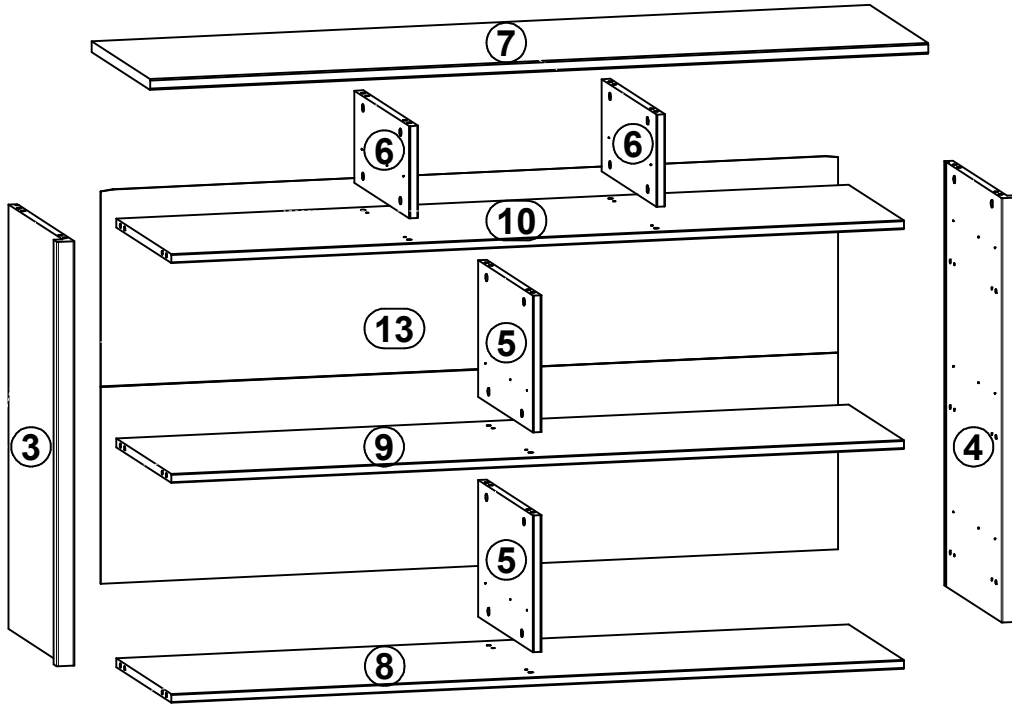
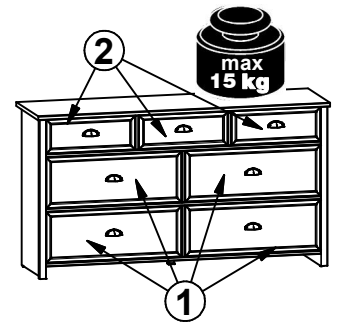


**A**

# CANNET

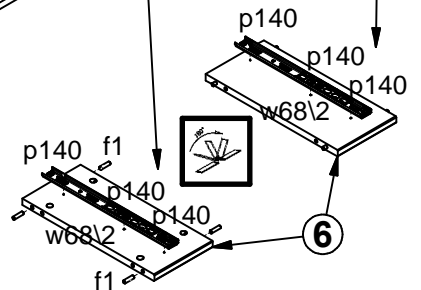
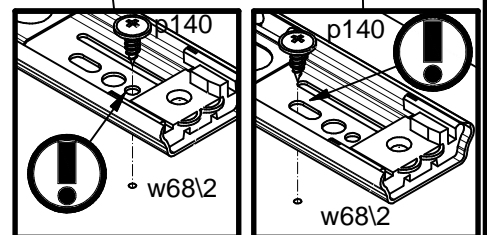
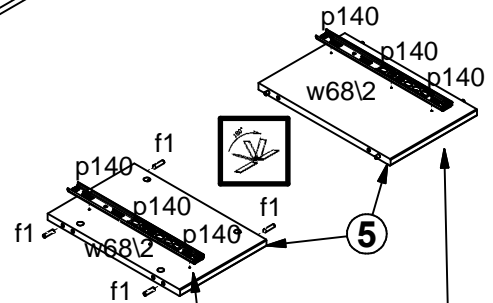
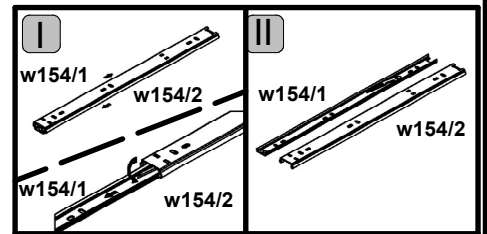
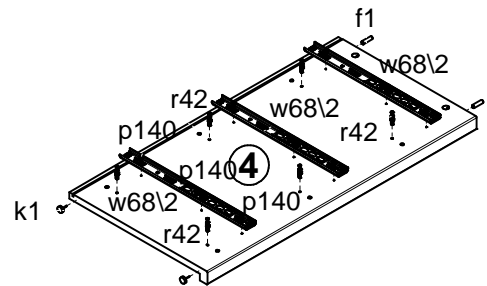
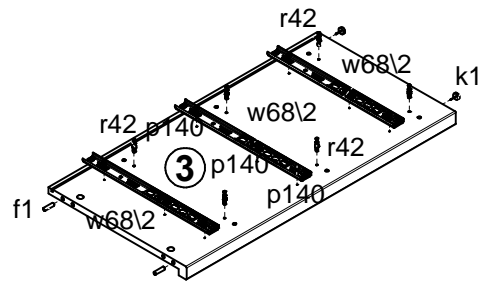
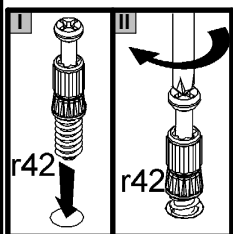
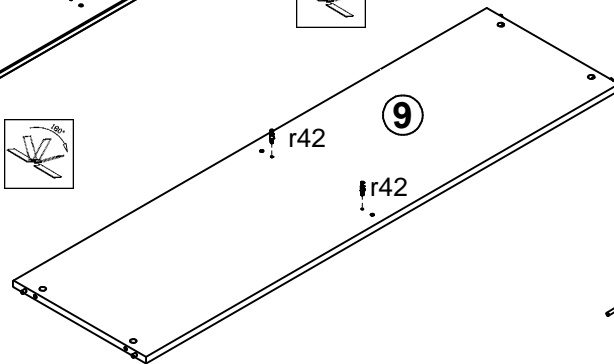
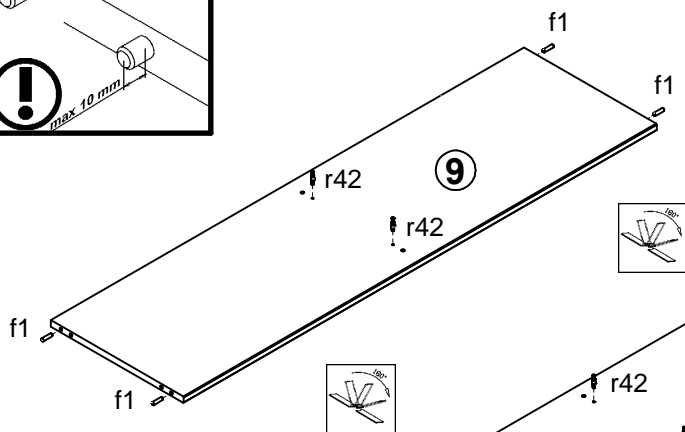
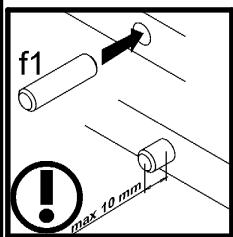
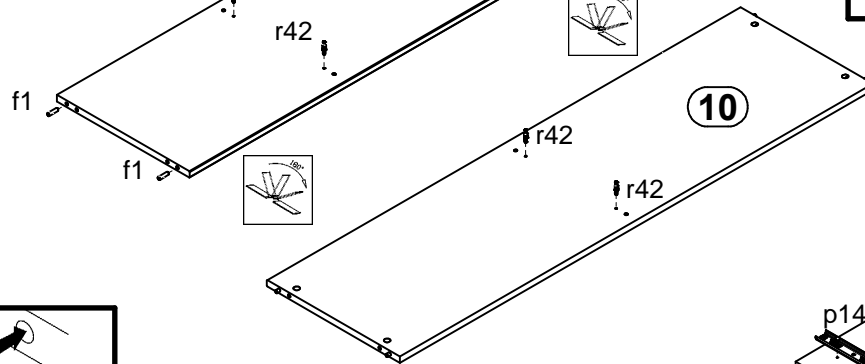
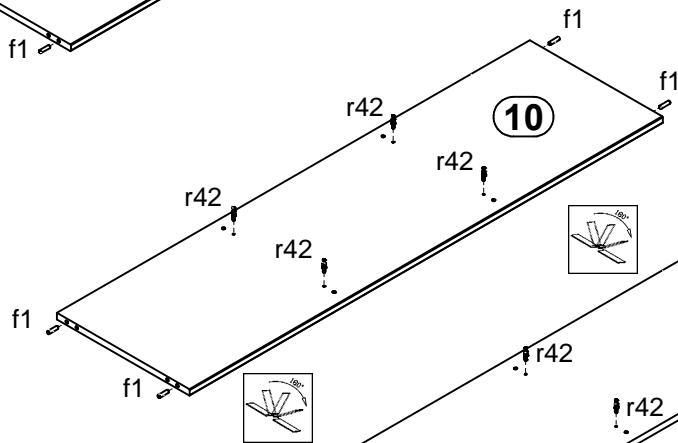
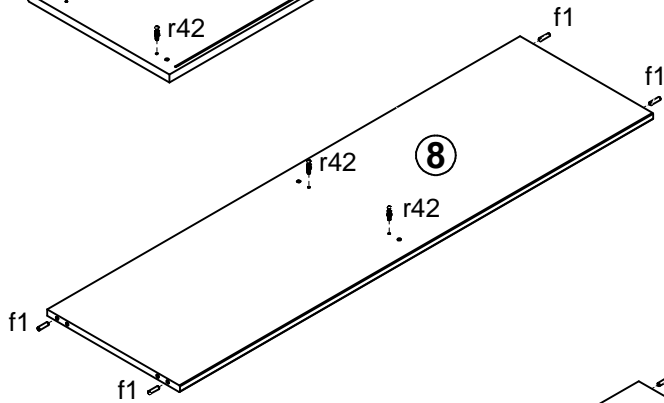
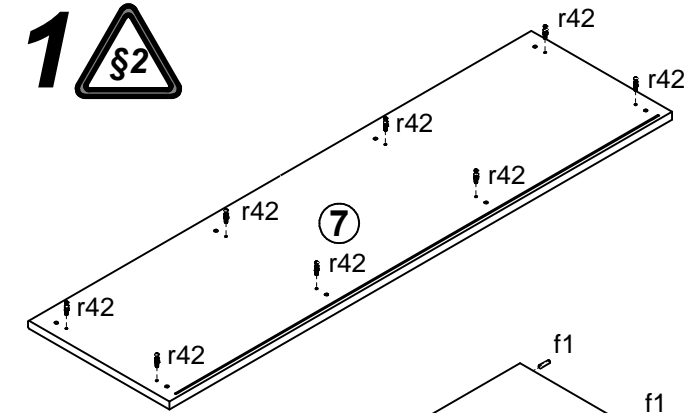
**S351-KOM7S**

A	B	C	D	A	B	C	D		
1	S351-0002	738	270	3/3	11	S351-9002	703	393	1/3
2	S351-0018	484	180	3/3	12	S351-9014	449	393	1/3
3	S351-1001	857	440	1/3	13	S351-9301	1516	795	2/3
4	S351-1002	857	440	1/3	14	ZK1-501	400	120	1/3
5	S351-1003	276	421	1/3	15	ZK1-502	400	120	1/3
6	S351-1028	186	421	1/3	16	ZK1-507	400	160	1/3
7	S351-2001	1600	450	2/3	17	ZK1-508	400	160	1/3
8	S351-3001	1506	423	2/3	18	ZS1-6558	693	160	1/3
9	S351-3002	1506	423	2/3	19	ZS1-6565	439	120	1/3
10	S351-3003	1506	423	2/3					



7x 64 mm <b>c434</b>	1x Ø6.3x13 mm <b>e2</b>	32x Ø8x30 mm <b>f1</b>	28x Ø6.5x40 mm <b>f25</b>	14x Ø6x30 mm <b>f9</b>	14x M4x10 mm <b>j106</b>	4x <b>k1</b>	1x 42.5x42.5x4 mm <b>k38\3</b>	1x 30x30x60 mm <b>k38\8</b>
50x <b>l1</b>	8x <b>l2</b>	8x Ø3.5x16 mm <b>p25</b>	4x Ø3.5x16 mm <b>p38</b>	84x Ø3.5x12 mm <b>p140</b>	32x Ø15x12 mm #16 <b>r1</b>	28x Ø12x10.5 mm #12 <b>r15</b>	60x 20\11 <b>r42</b>	4x 383 mm <b>t14</b>
14x 400/820 mm <b>w68\1</b>	14x 400/820 mm <b>w68\2</b>							
5x Ø16 <b>s2</b>	1x <b>n26\1</b>	1x Ø3.5x16 mm <b>p38</b>						

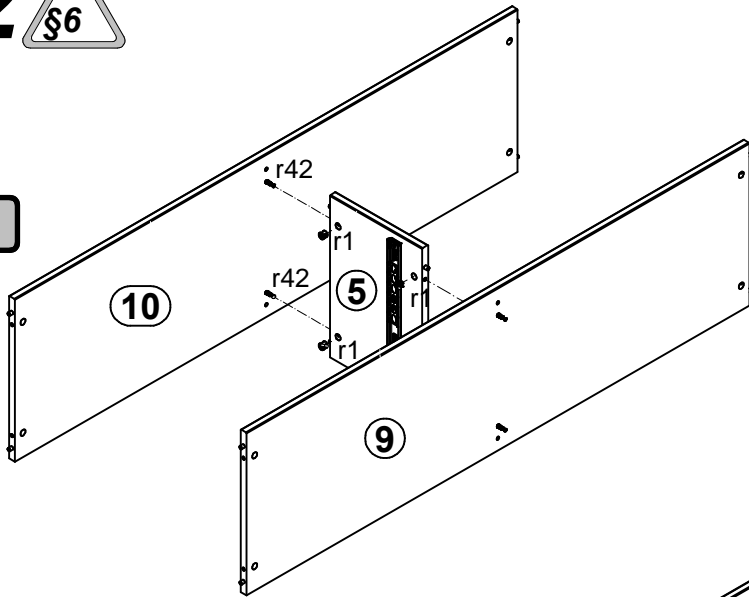
1



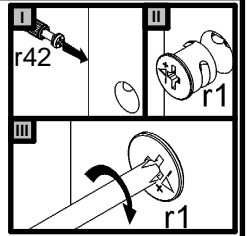
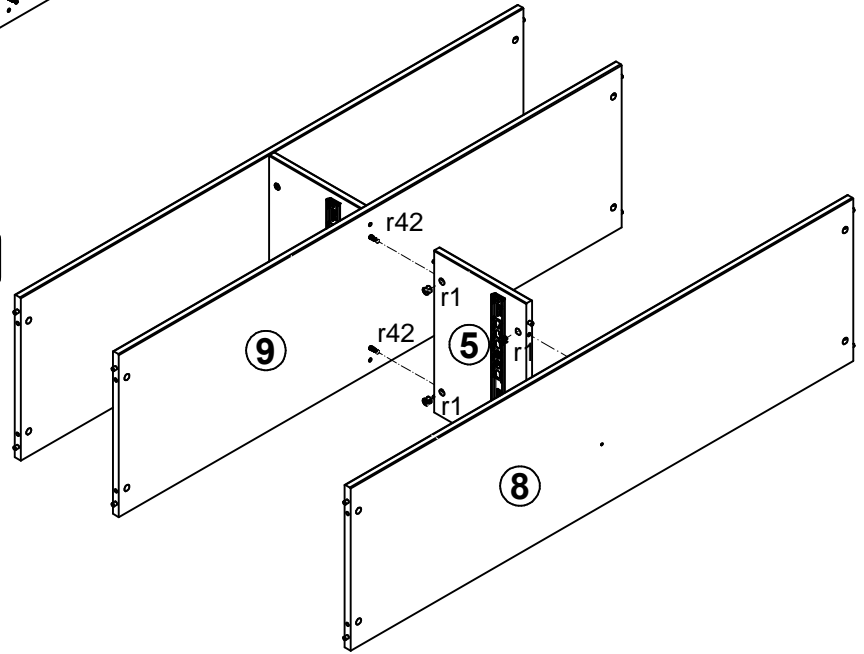
# 2



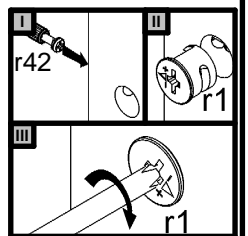
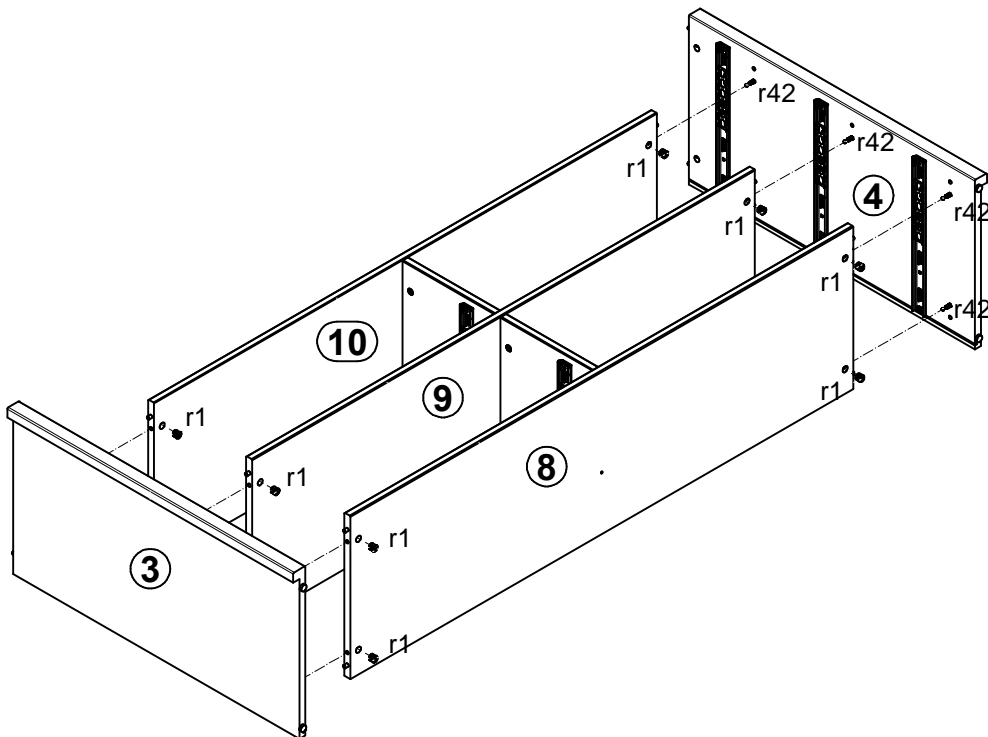
I



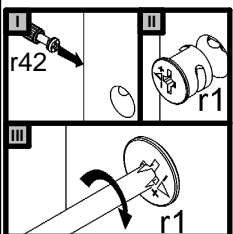
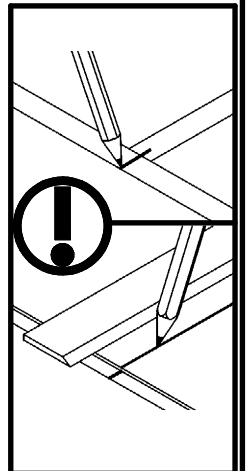
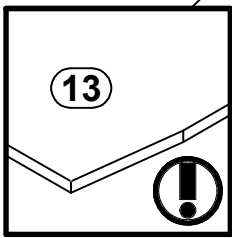
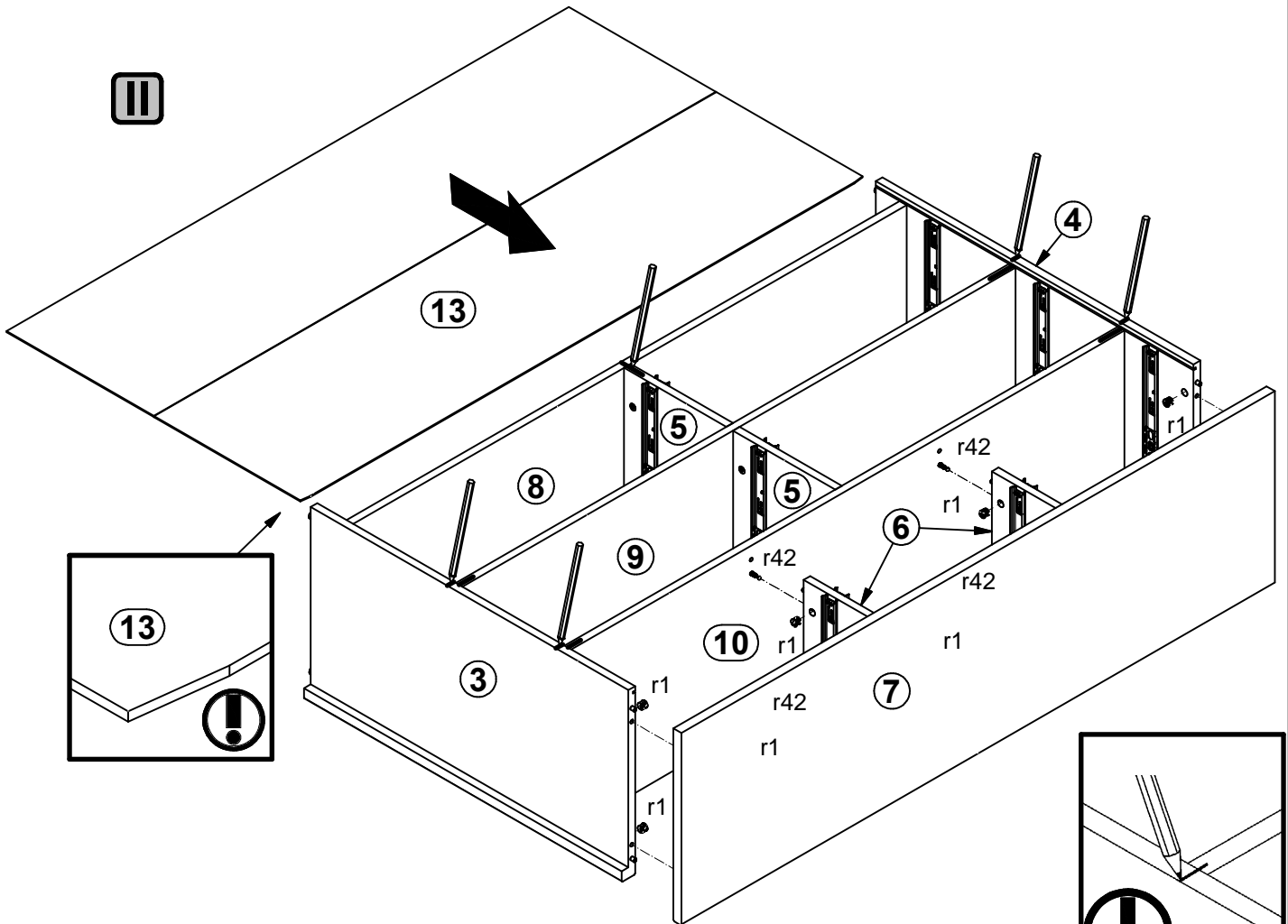
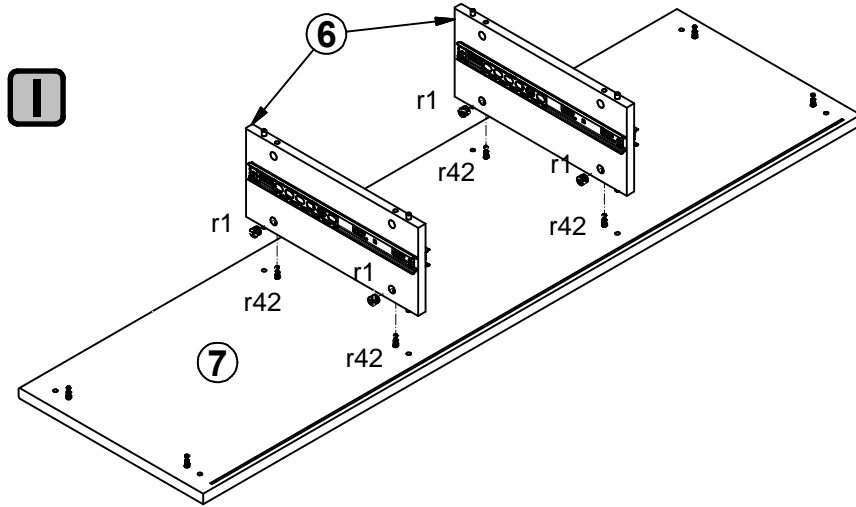
II



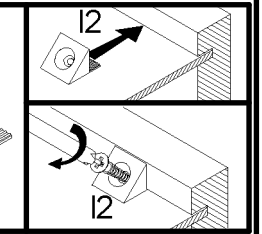
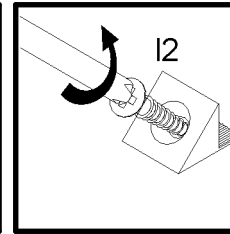
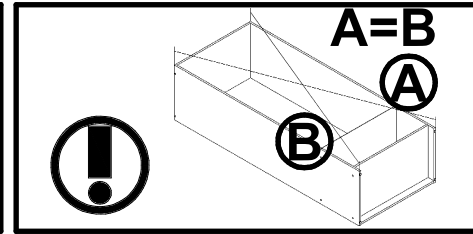
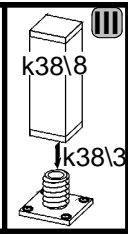
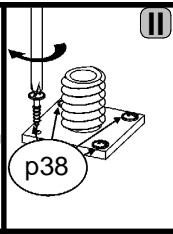
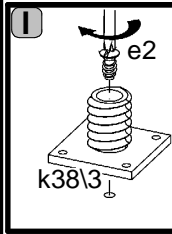
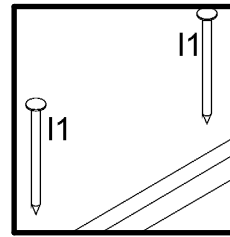
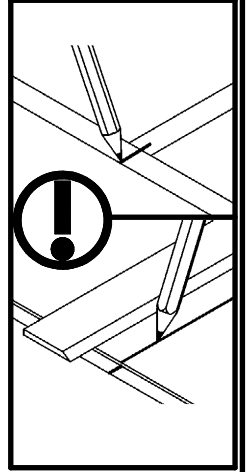
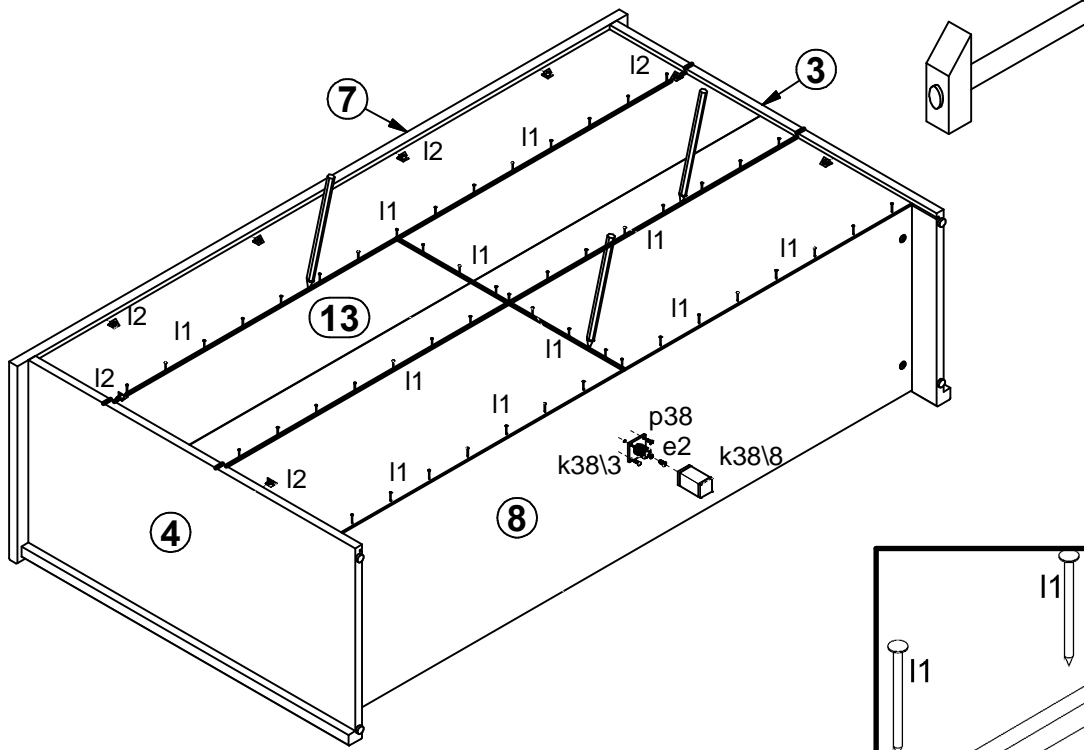
# 3



# 4



# 5



# 6

