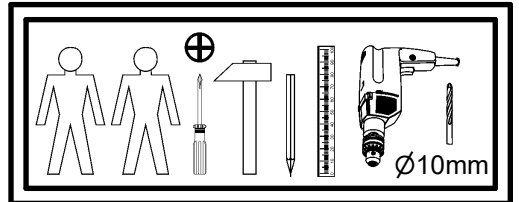
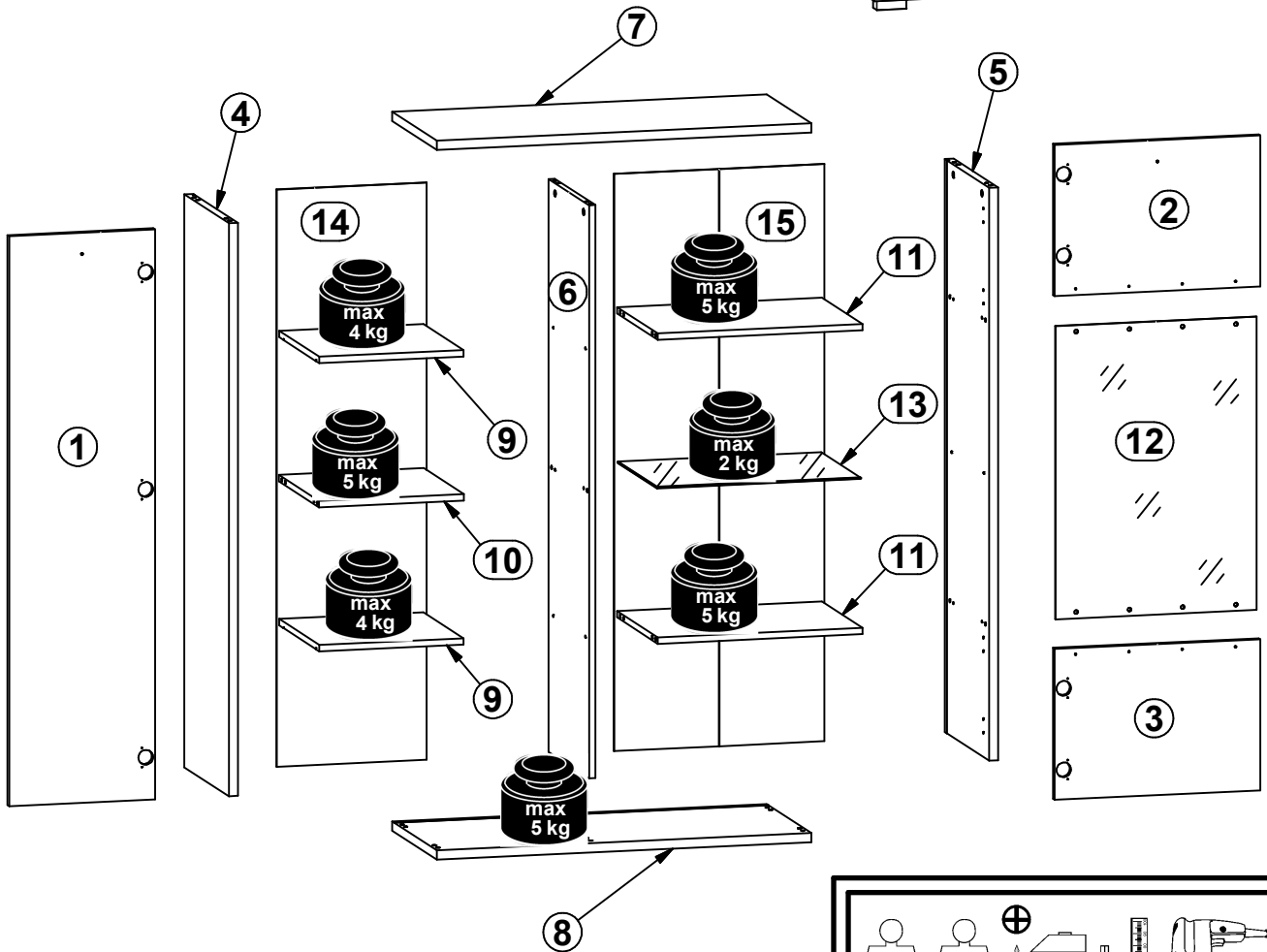
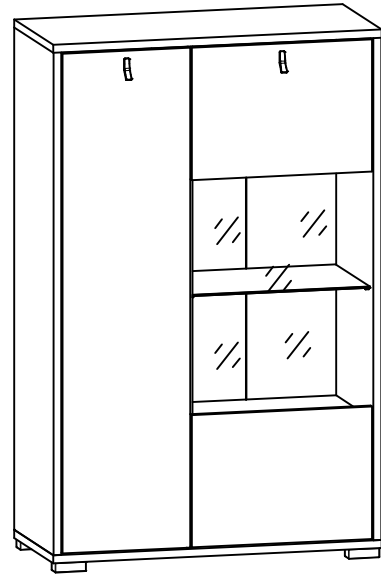
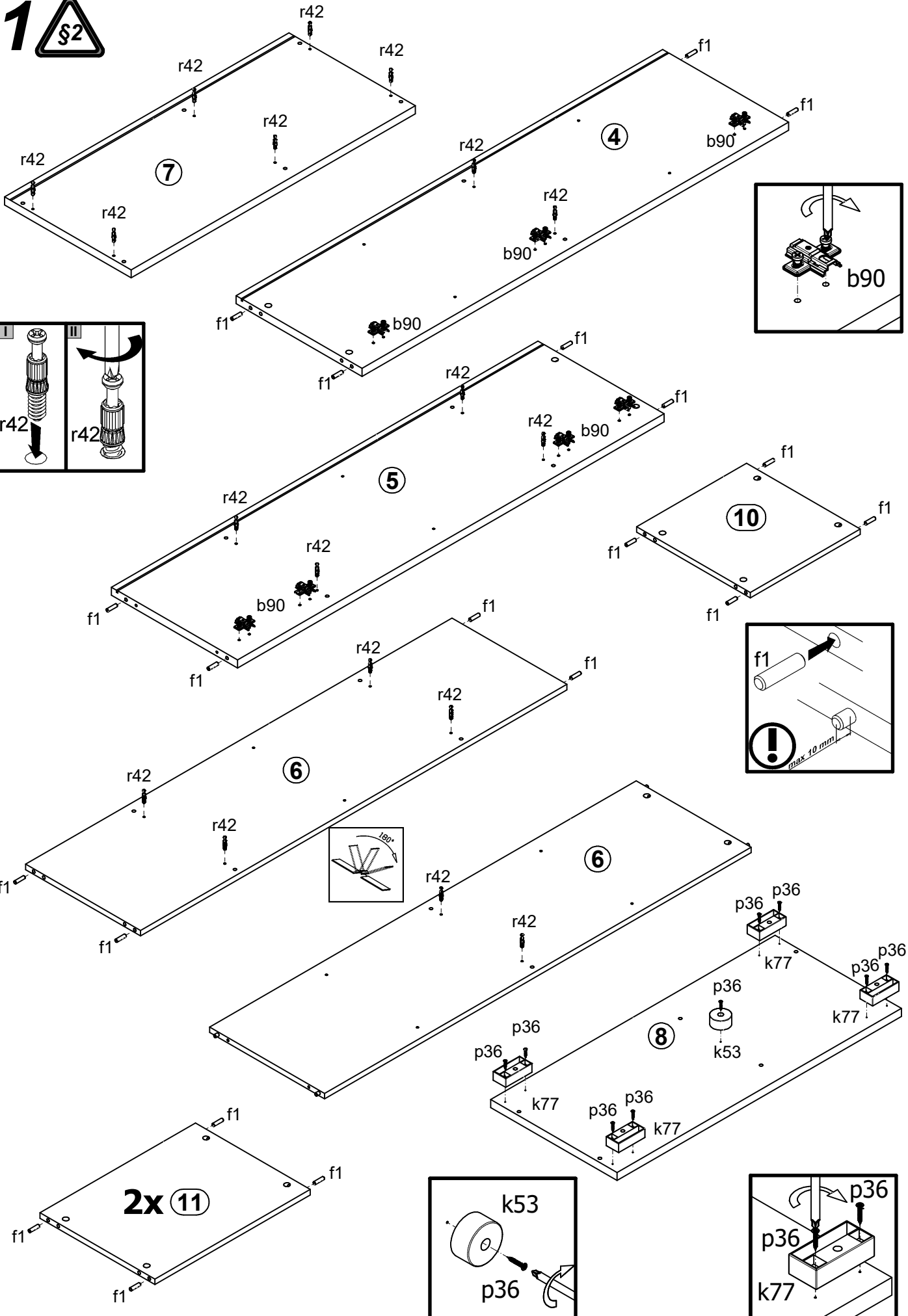


A	B	C	D	
1	S462-0024	1343	350	1/3
2	S462-0025	494	356	3/3
3	S462-0026	494	356	3/3
4	S462-1034	1350	399	1/3
5	S462-1035	1350	399	1/3
6	S462-1036	1350	364	1/3
7	S462-2018	900	400	2/3
8	S462-2019	900	400	2/3
9	S462-3020	347	360	2/3
10	S462-3021	348	360	2/3
11	S462-3022	492	364	2/3
12	S462-5006	691	483	3/3
13	S462-5007	490	350	2/3
14	S462-9014	1360	360	1/3
15	S462-9305	1360	505	1/3

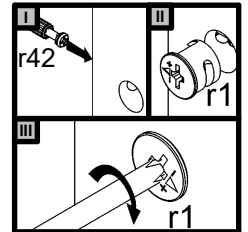
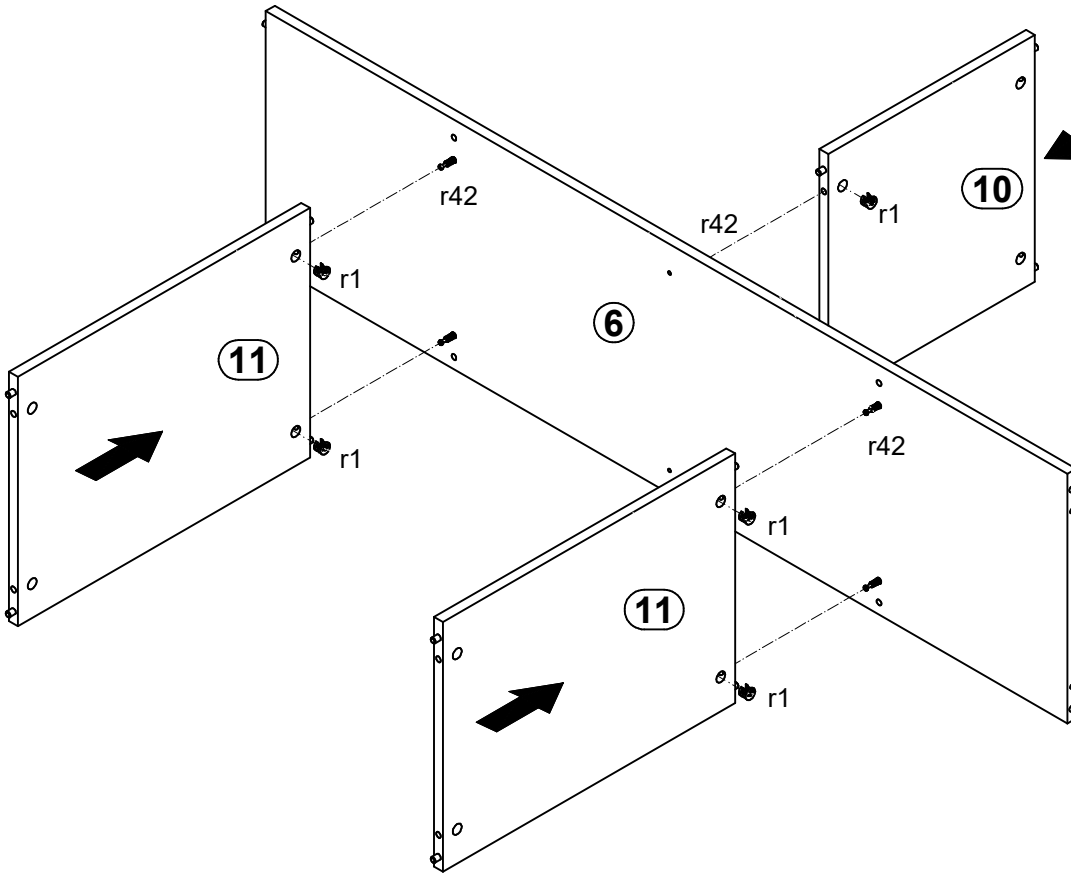
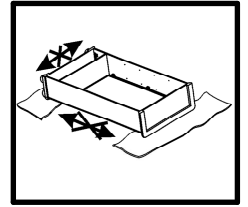


4x hamulec a203	3x a210	7x b90	2x c512	8x Ø5x17 mm d1	4x Ø5x17 mm d3	6x Ø7x50 mm e1	8x Ø5x16 mm e47	24x Ø8x30 mm f1
2x M4x20 mm j1	1x Ø50x25 mm k53	4x 84x40/25 mm k77	10x l2	6x 22x9,5x20,7 mm n108	8x Ø5,3/Ø8,3x4,8 mm o54	9x Ø4x25 mm p36	14x Ø3,5x15 mm p51	12x Ø2,9x16 mm p55
18x Ø15x12 mm #16 r1	18x 20/11 r42	6x Ø 20mm s68	1x 4 mm z1			1x n26	1x Ø3,5x16 mm p38	

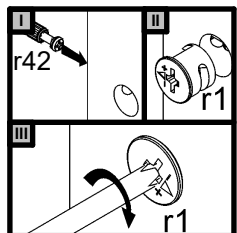
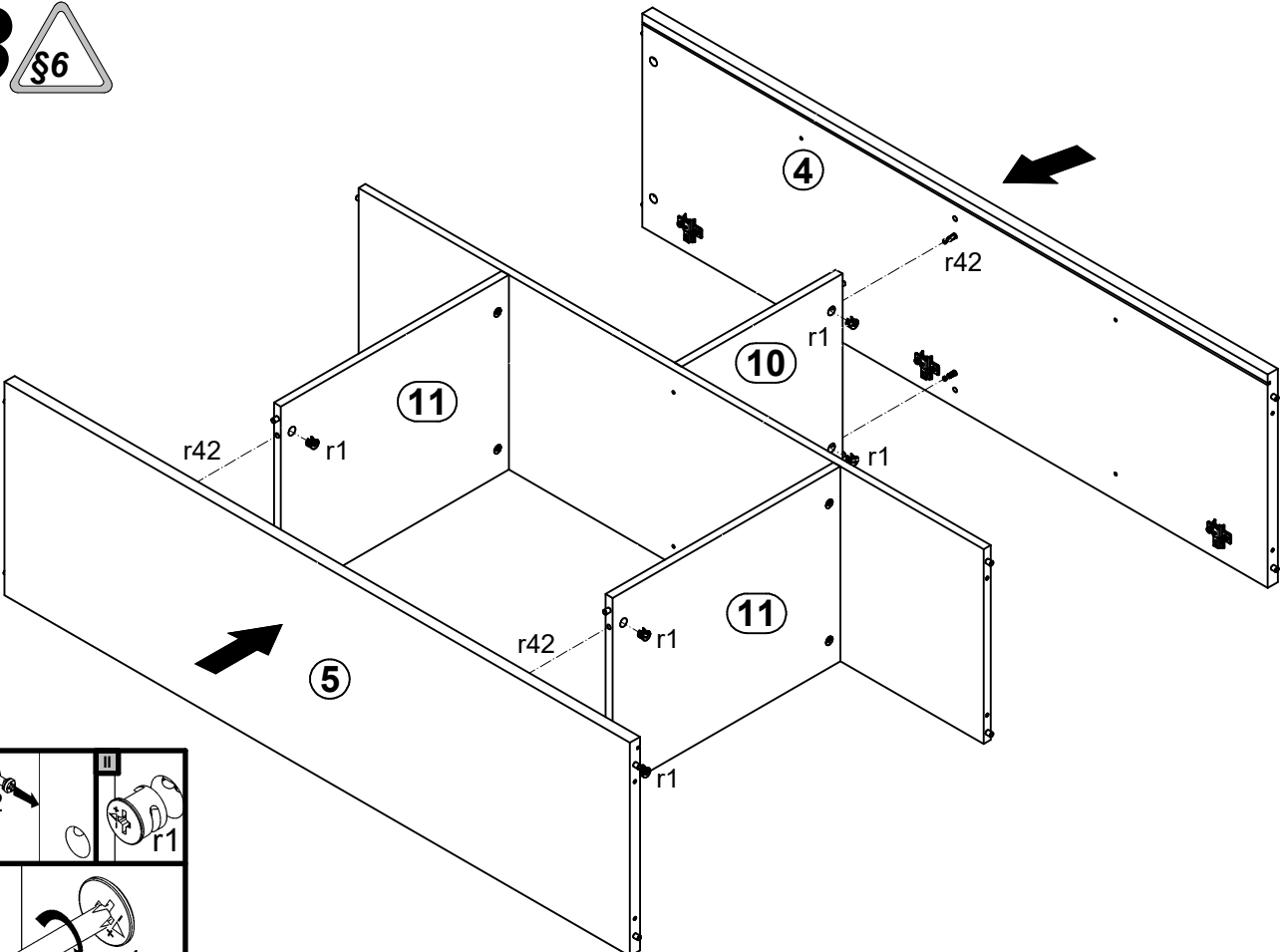
1 

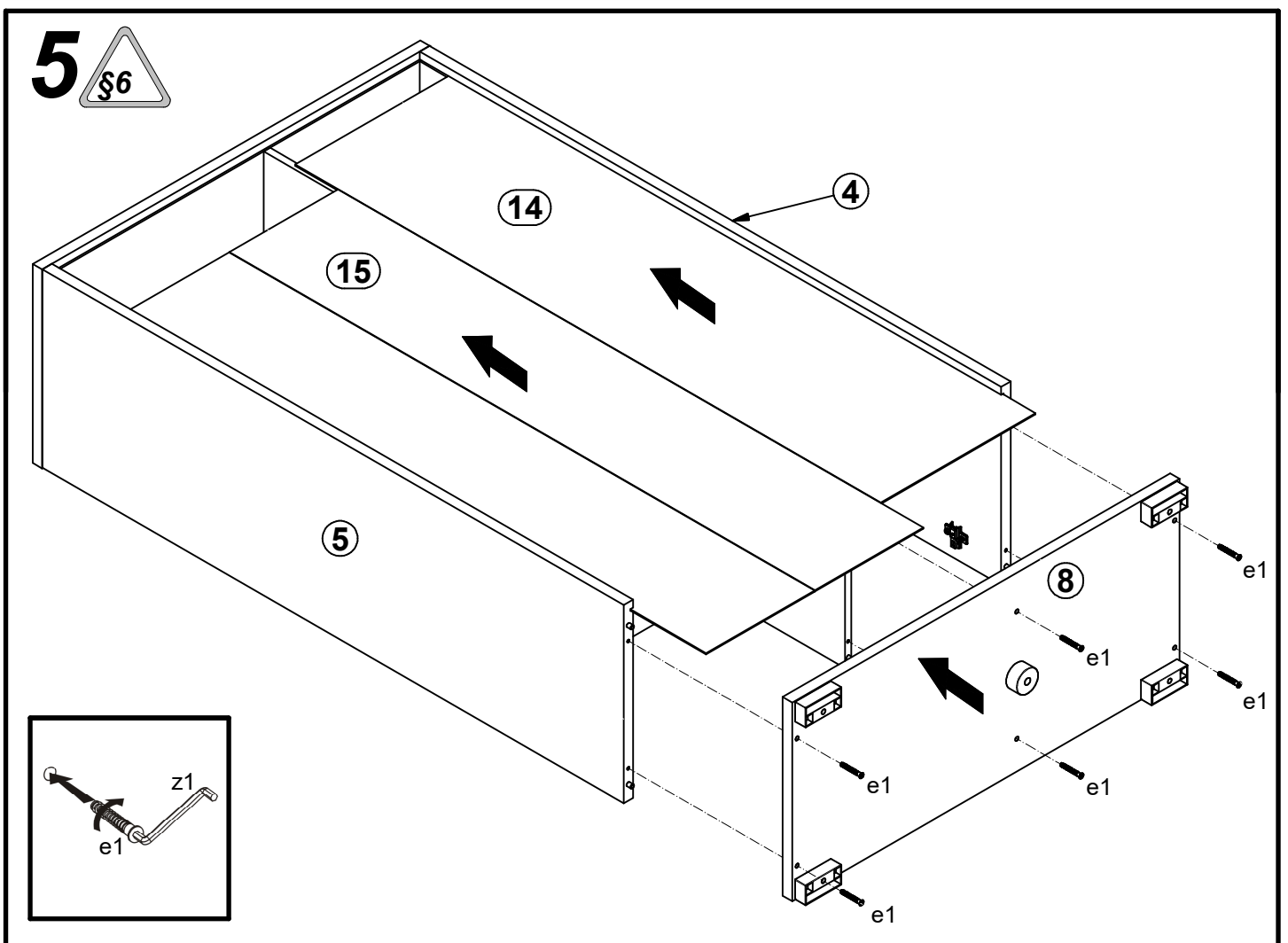
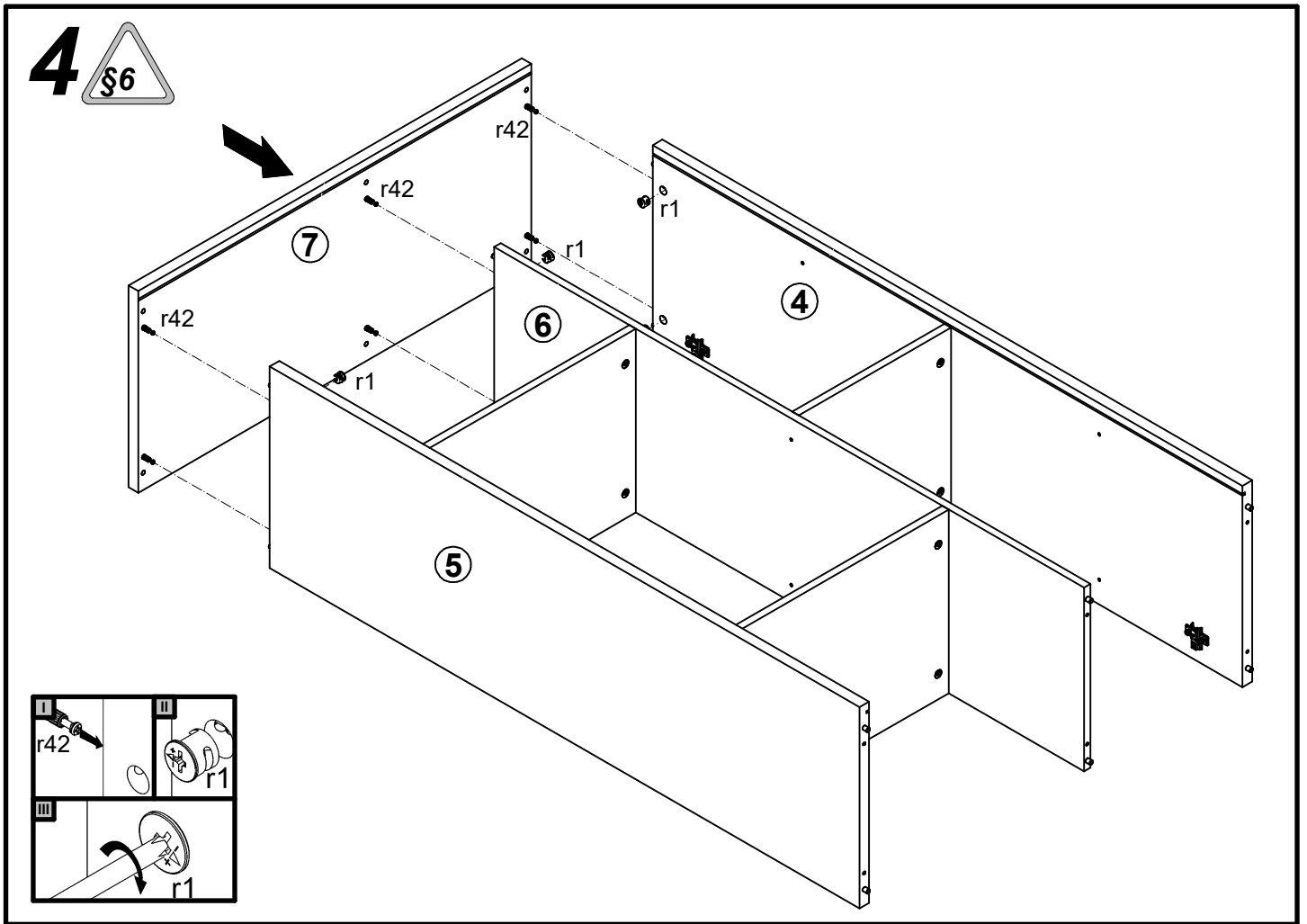


2 §6

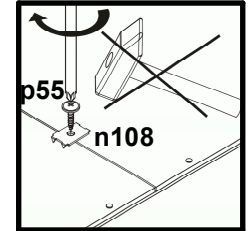
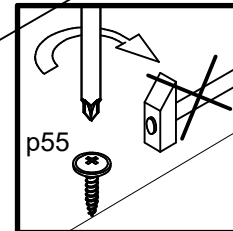
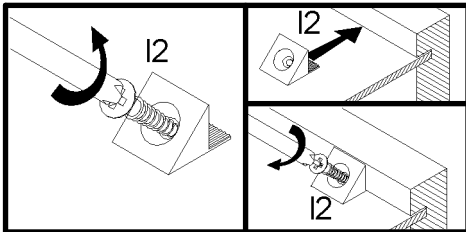
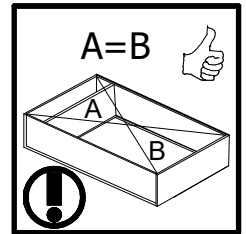
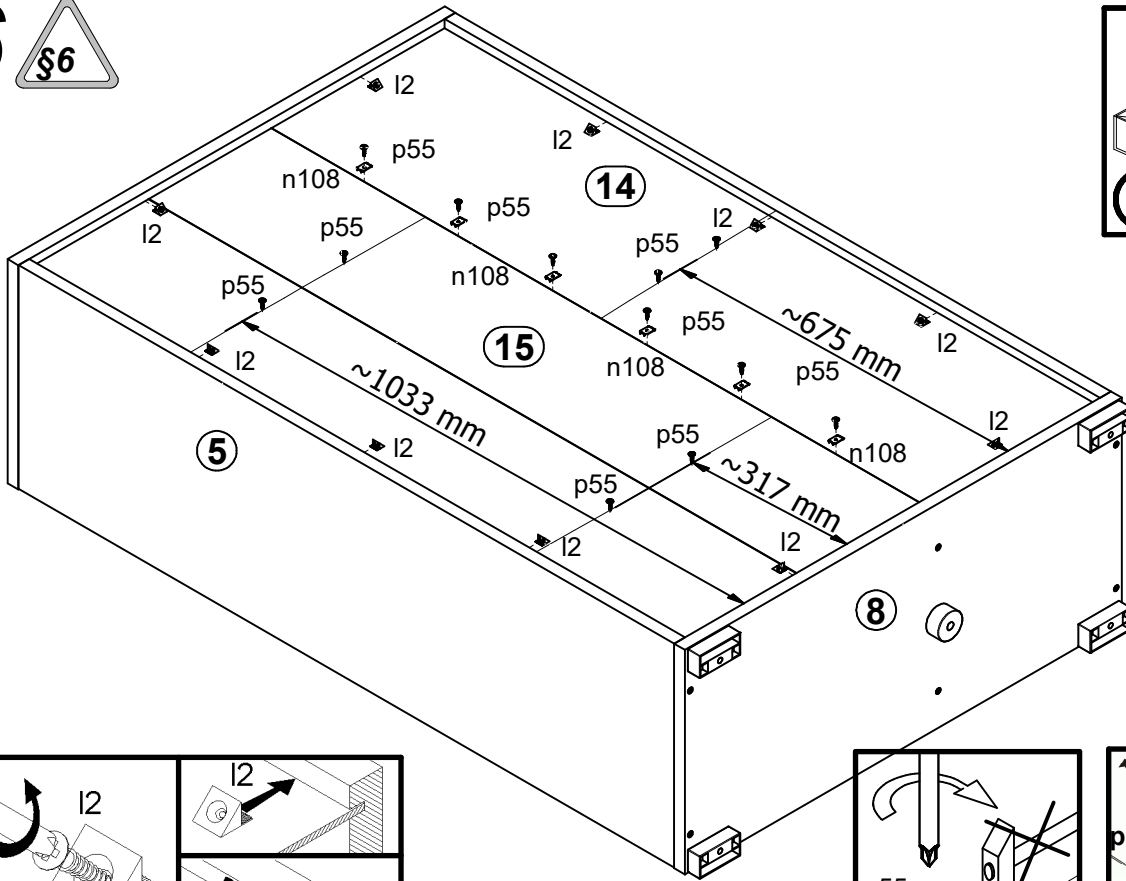


3 §6

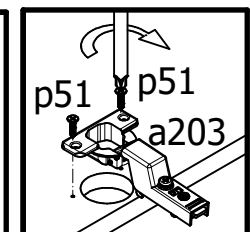
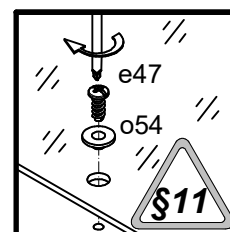
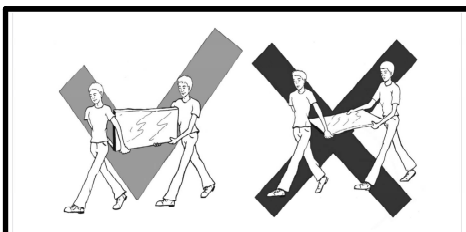
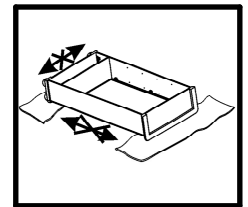
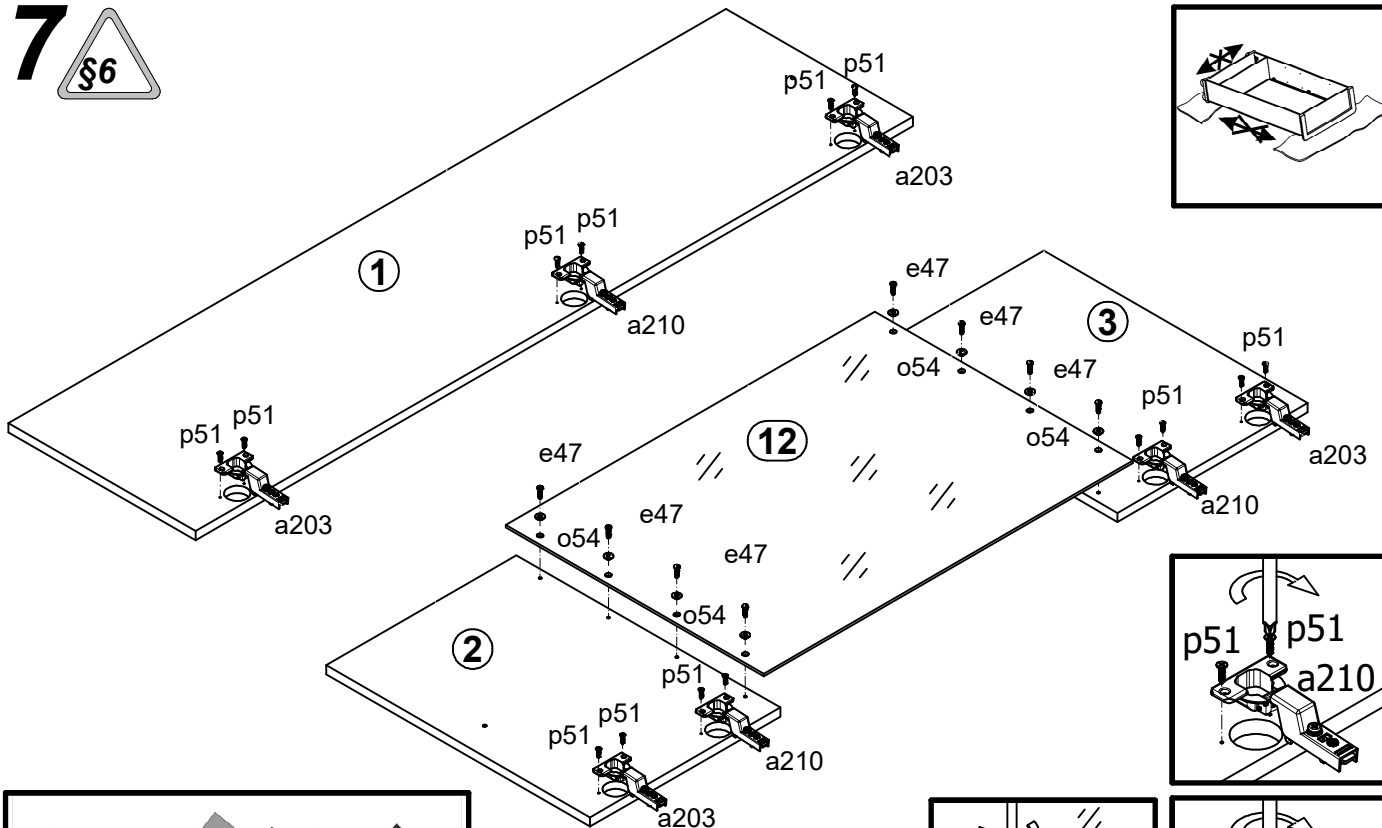




6



7



8

