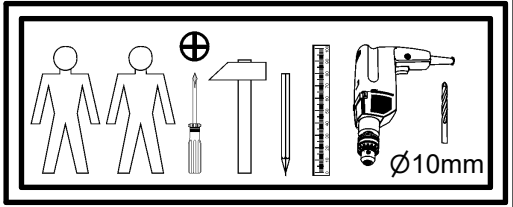
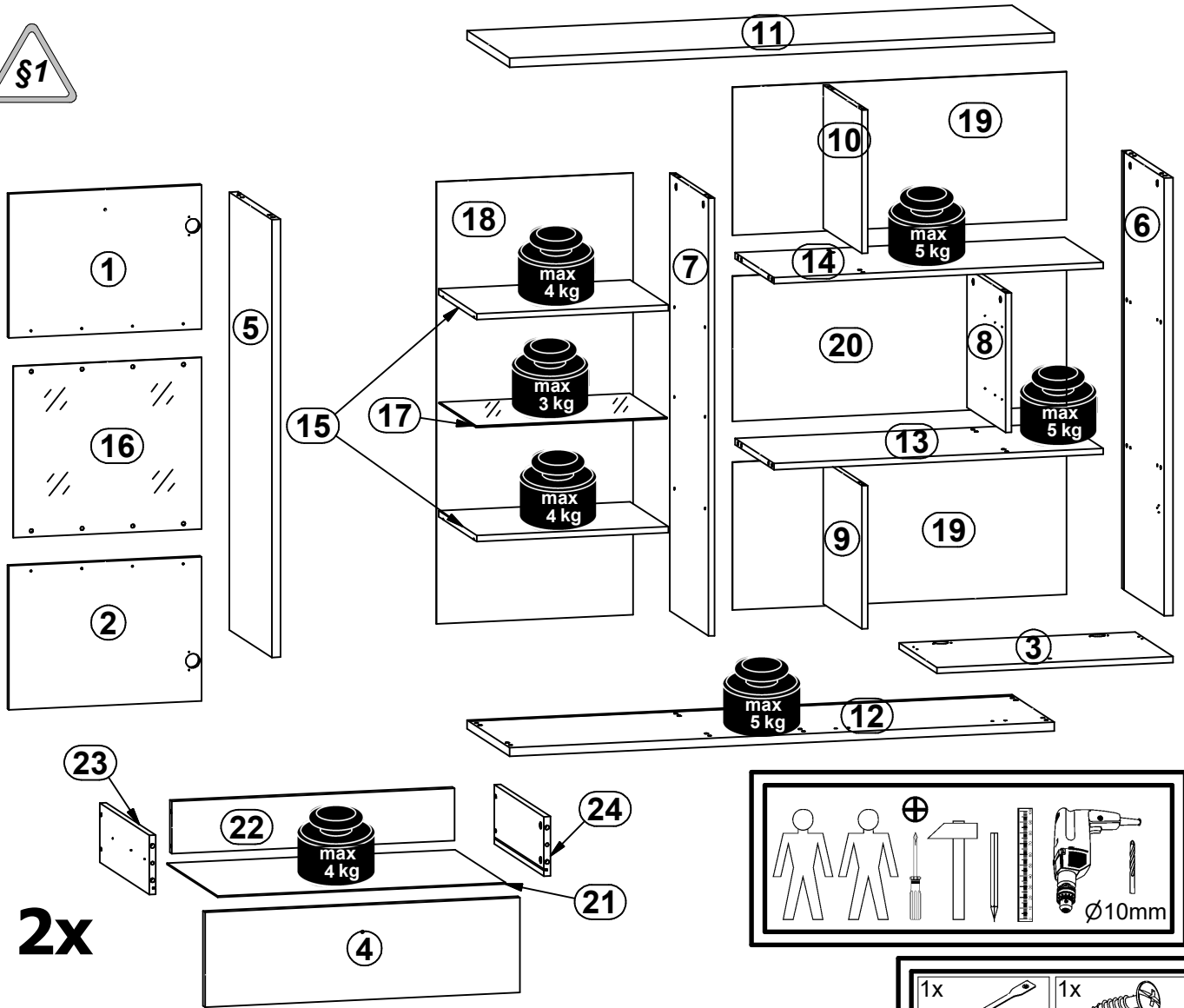
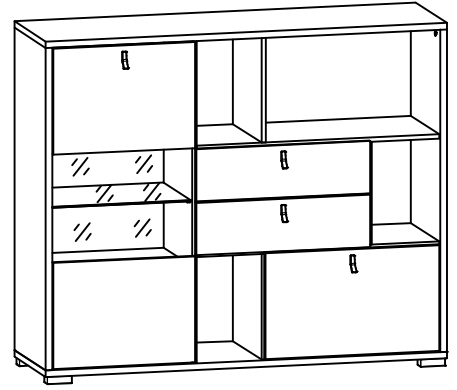
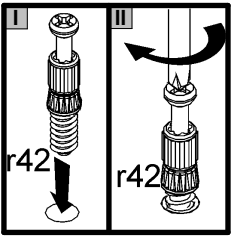
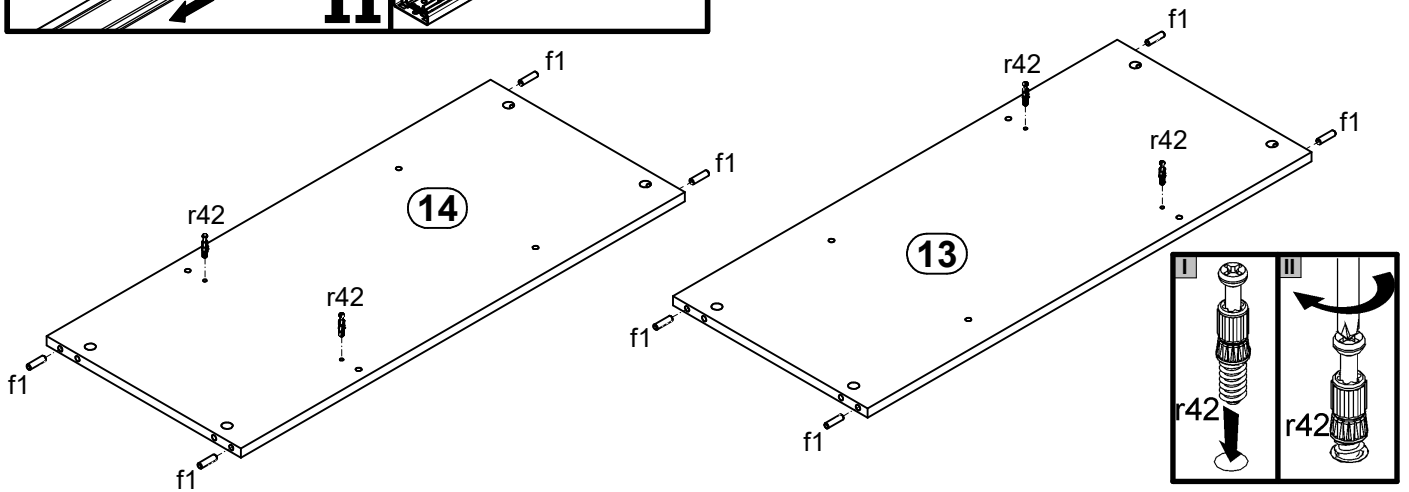
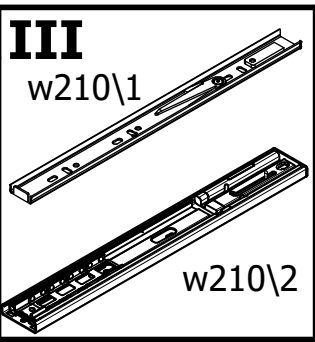
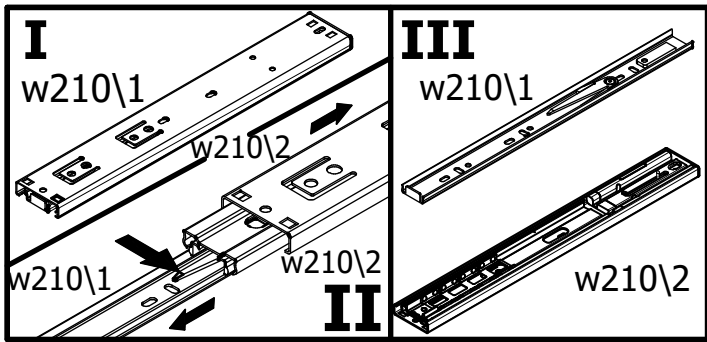
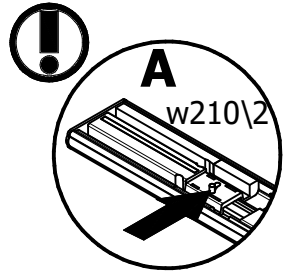
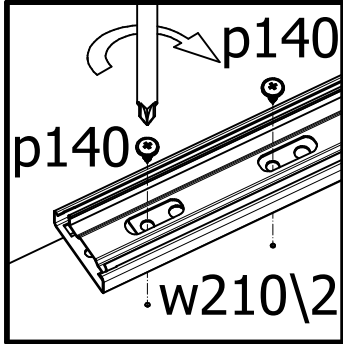
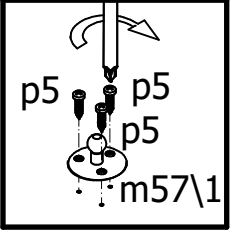
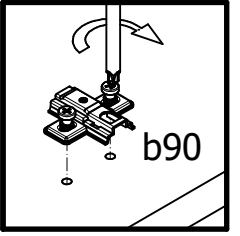
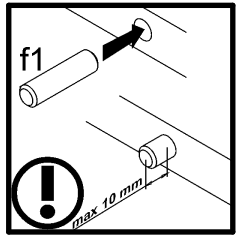
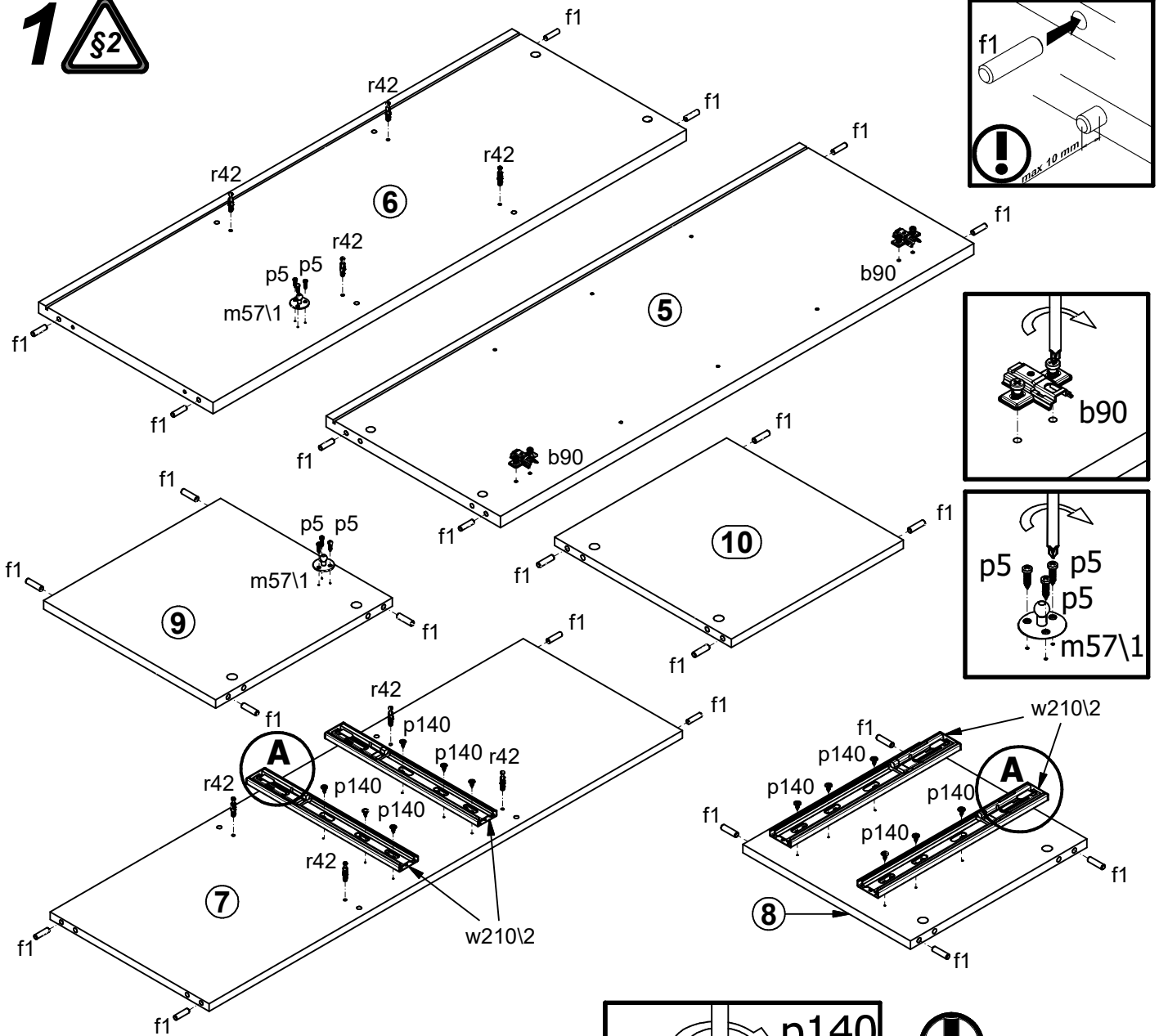


A	B	C	D	A	B	C	D
1	S462-0001	486	356	1/2	13	S462-3001	831 364 2/2
2	S462-0002	486	356	1/2	14	S462-3002	831 364 2/2
3	S462-0003	596	356	1/2	15	S462-3003	483 360 1/2
4	S462-0004	596	176	1/2	16	S462-5001	475 424 1/2
5	S462-1001	1083	399	2/2	17	S462-5002	482 350 1/2
6	S462-1002	1083	399	2/2	18	S462-9001	1093 496 1/2
7	S462-1003	1083	364	1/2	19	S462-9002	366 843 2/2
8	S462-1004	345	364	1/2	20	S462-9004	359 843 2/2
9	S462-1005	354	364	1/2	21	S462-9005	545 357 2/2
10	S462-1006	354	364	1/2	22	ZK3-5087	535 97 1/2
11	S462-2001	1375	400	2/2	23	ZK4-523	350 110 1/2
12	S462-2002	1375	400	2/2	24	ZK4-524	350 110 1/2

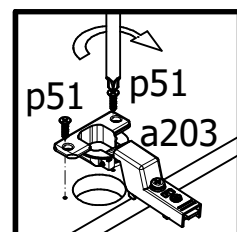
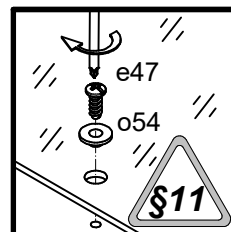
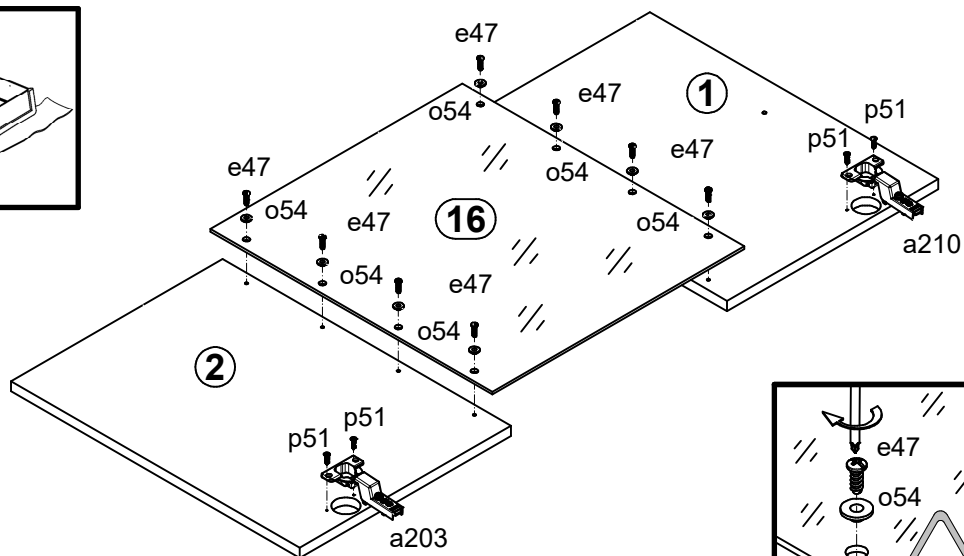
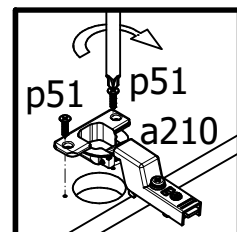
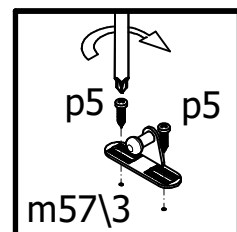
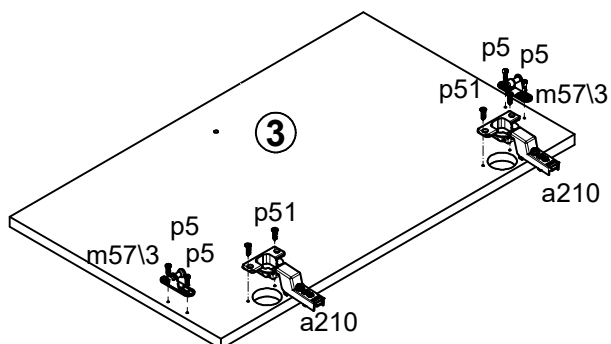
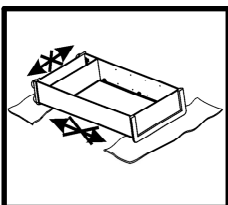
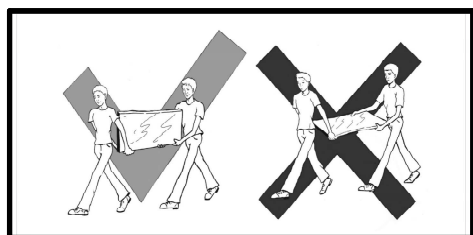
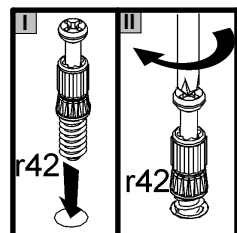
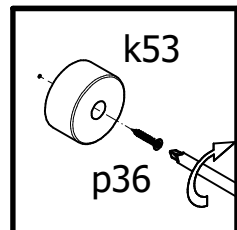
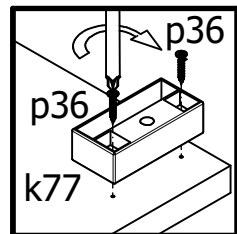
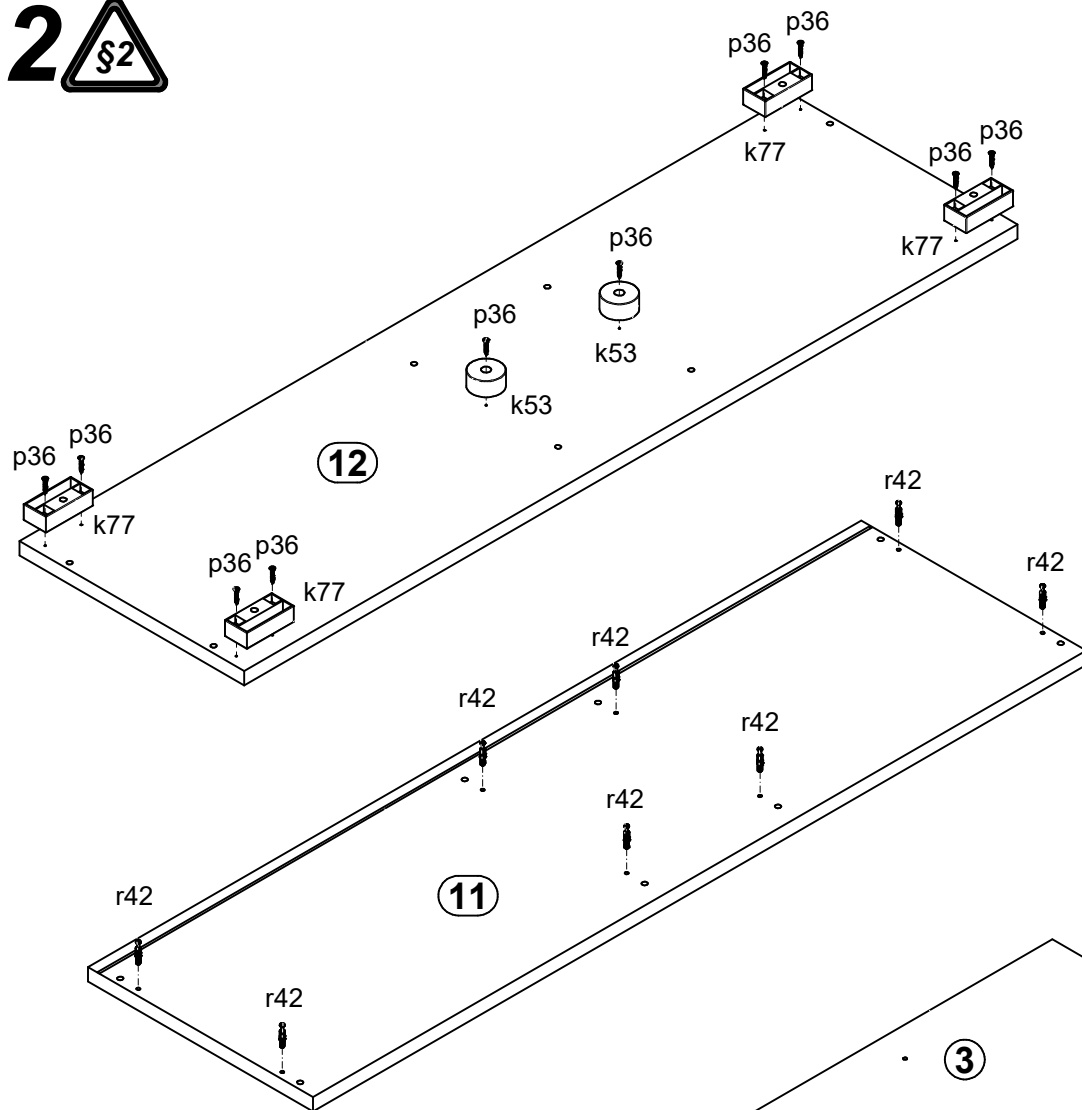


1x hamulec a203	3x a210	4x b90	4x c512	8x d1	4x d3	12x e1	8x e47	32x f1
4x f9	8x f25	4x j1	2x k53	4x k77	12x l2	2x m56/1	2x m57/1	2x m57/3
9x n108	8x o54	10x p5	2x p25	2x p35	10x p36	8x p38	8x p51	9x p55
24x p140	20x r1	8x r15	28x r42	2x t35	4x w210/1	4x w210/2	12x s68	1x z1

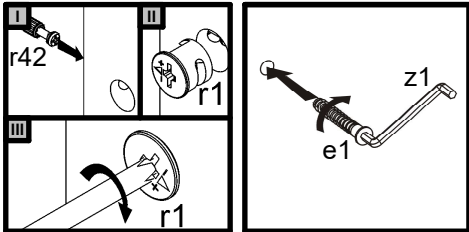
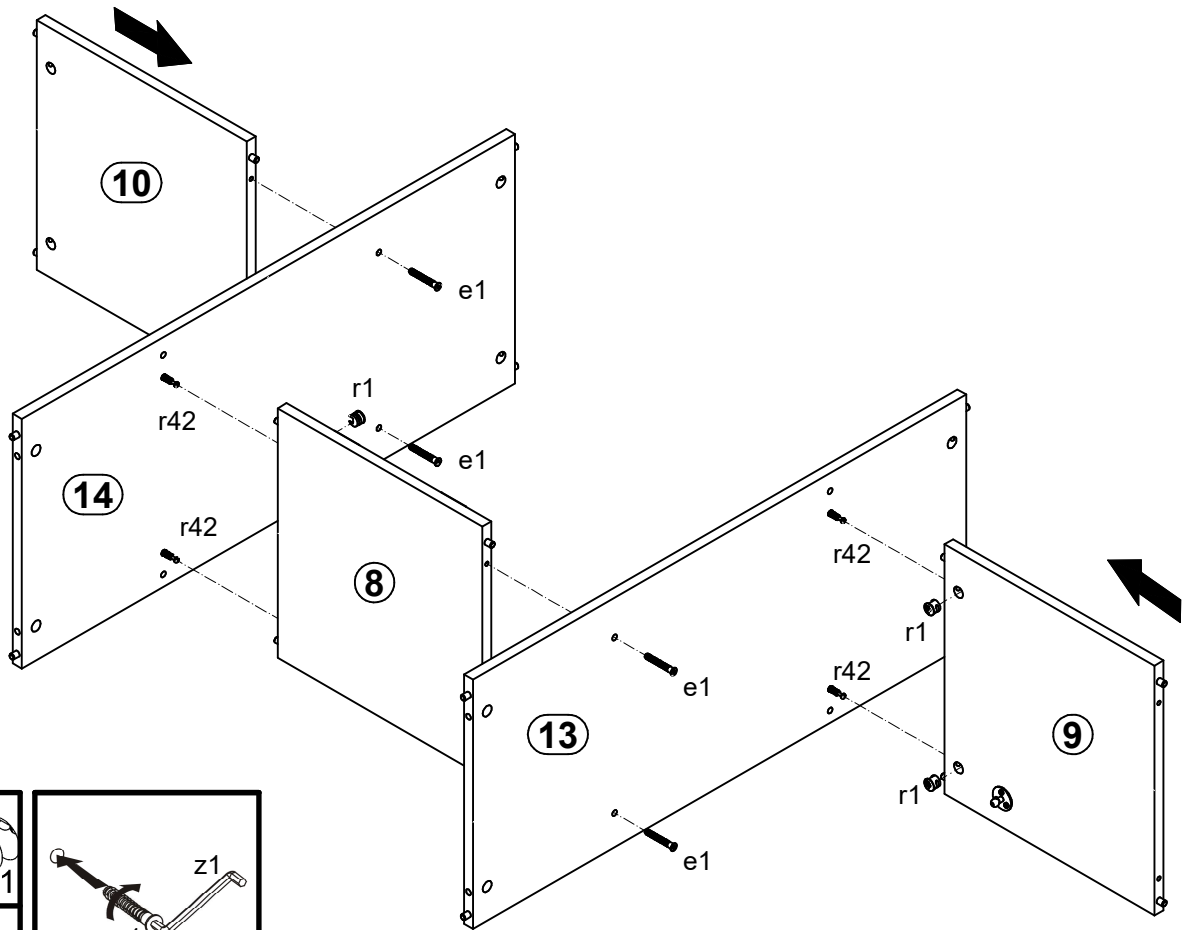
1 



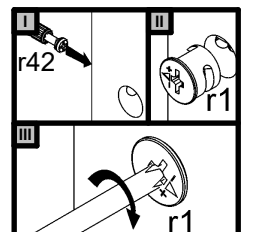
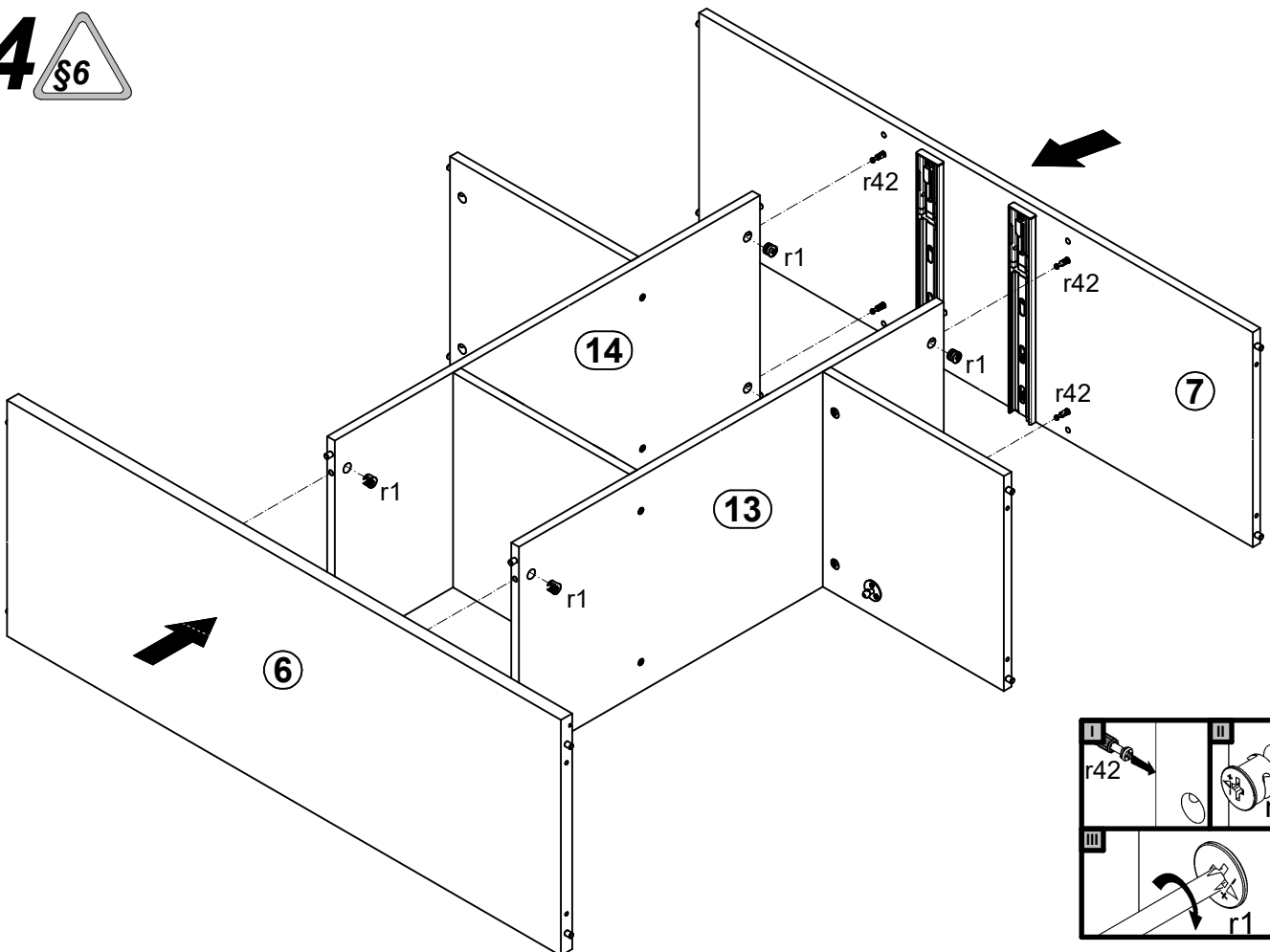
2 §2



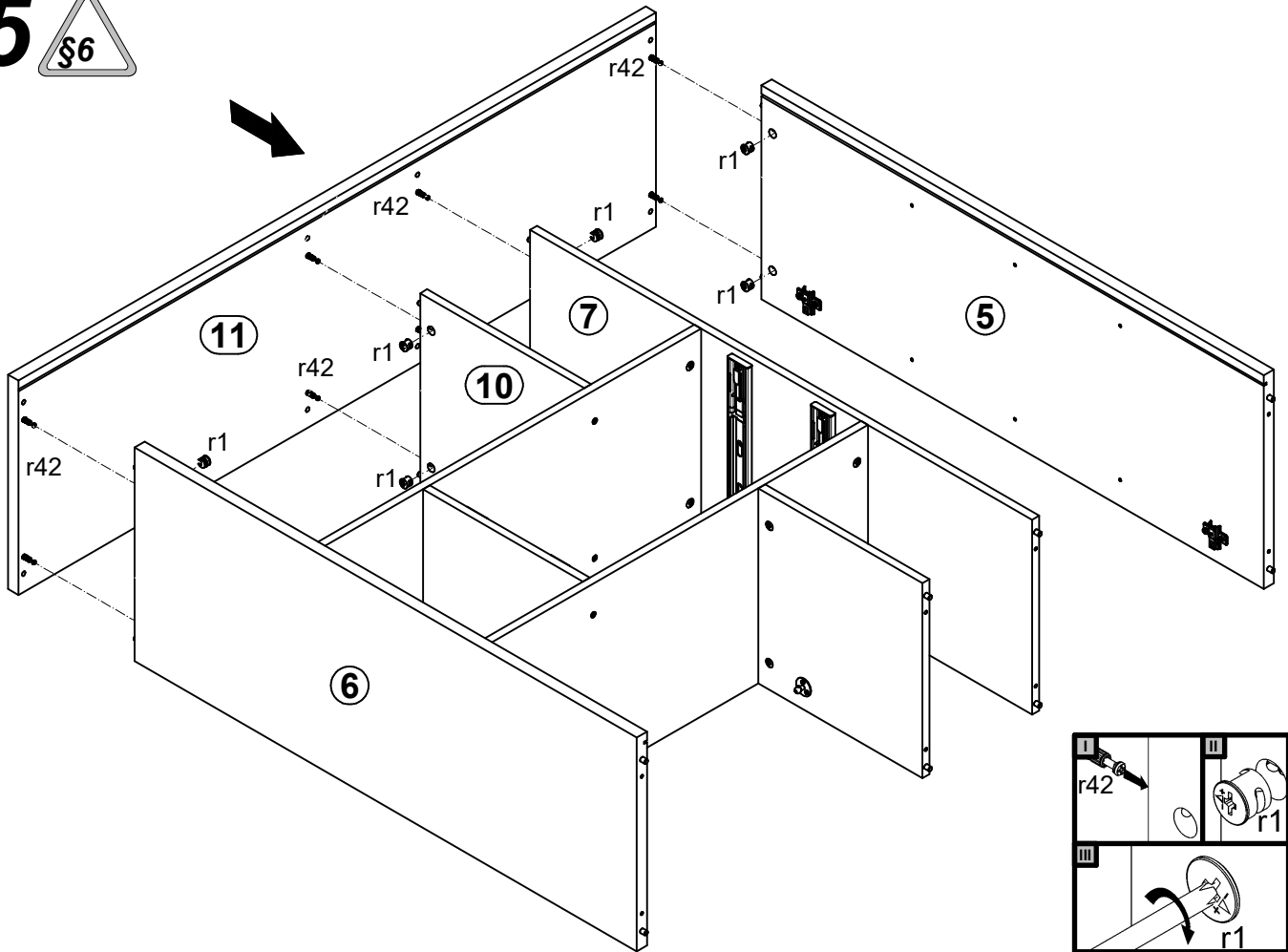
3 §6



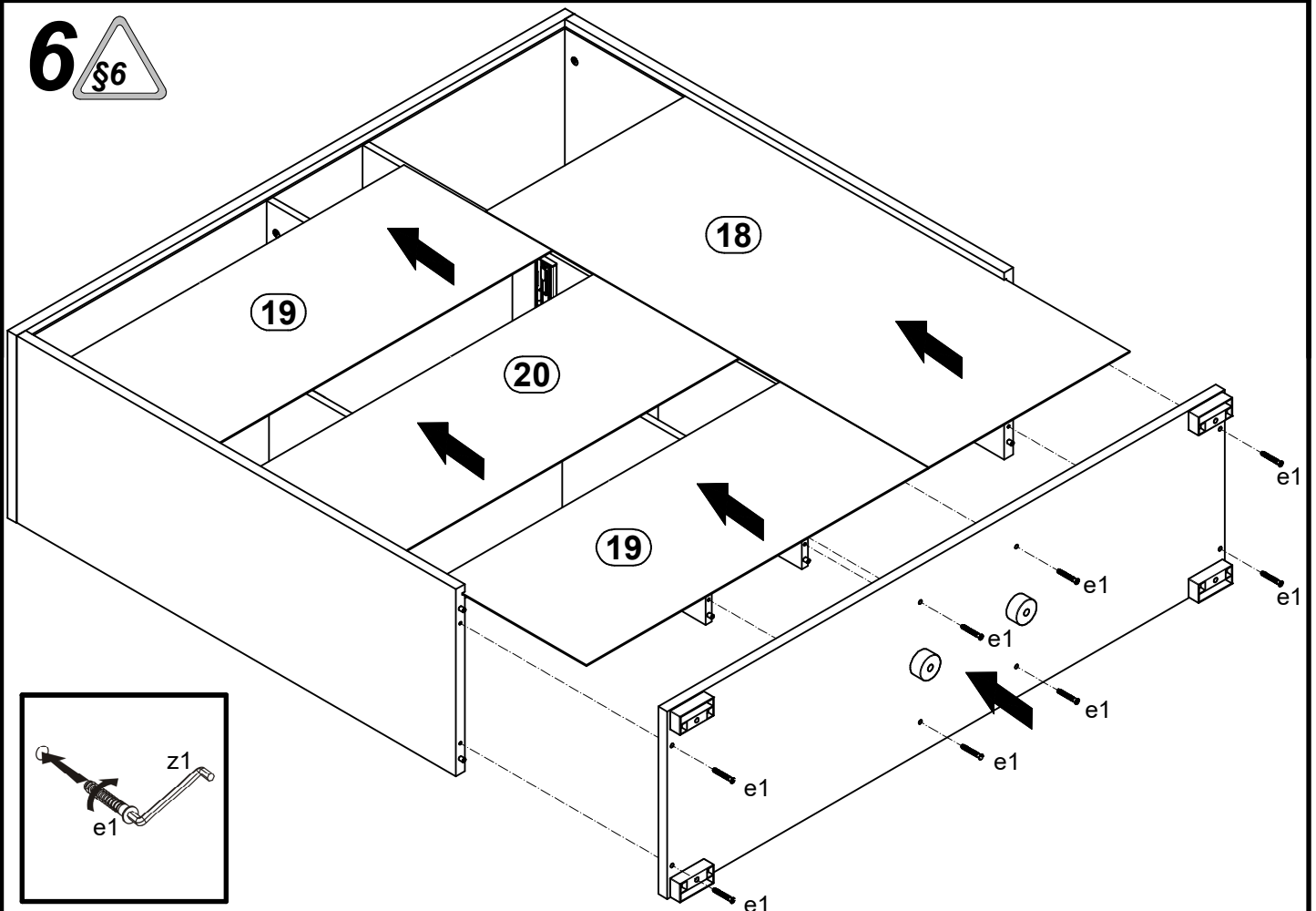
4 §6



5



6



9 §6 §11

