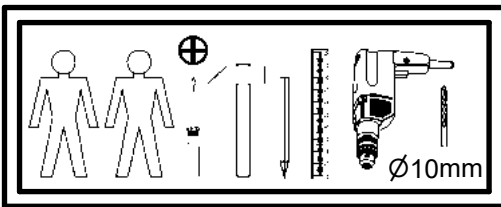
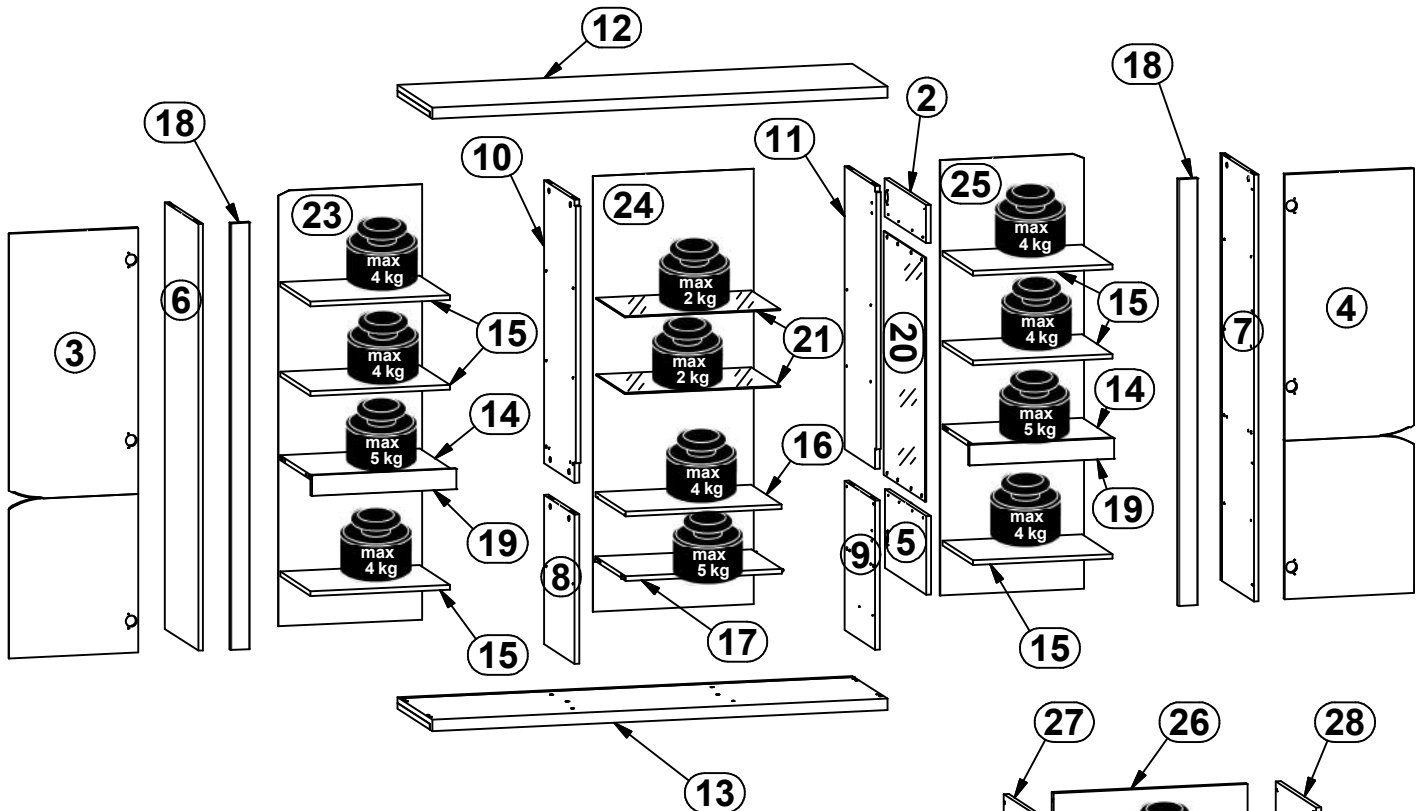
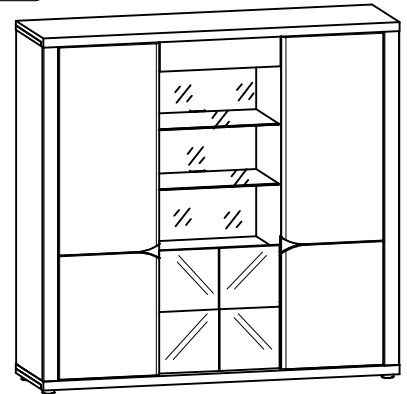
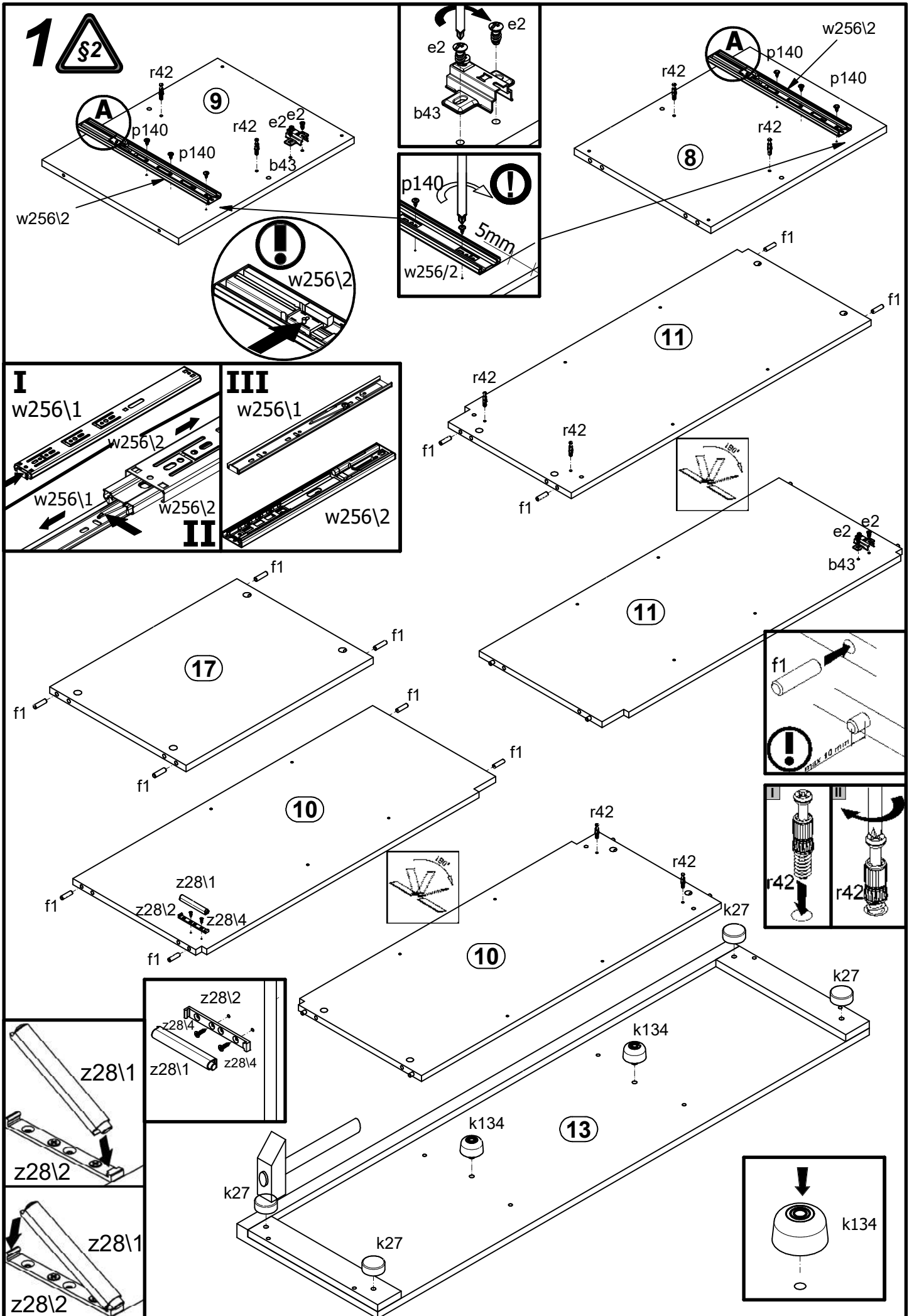


A	B	C	D	A	B	C	D		
1	S458-0001	496	248	3/3	15	S458-3005	449	365	2/3
2	S458-0010	496	120	3/3	16	S458-3010	501	365	3/3
3	S458-0012	1340	416	1/3	17	S458-3019	502	365	3/3
4	S458-0013	1340	416	1/3	18	S458-5003	1346	62	1/3
5	S458-0019	496	248	3/3	19	S458-5009	465	65	1/3
6	S458-1009	1346	402	1/3	20	S458-5053	769	494	3/3
7	S458-1010	1346	402	1/3	21	S458-5054	500	346	3/3
8	S458-1011	471	366	2/3	22	S458-9003	462	357	2/3
9	S458-1012	471	366	2/3	23	S458-9005	1374	463	1/3
10	S458-1013	893	381	3/3	24	S458-9006	1374	517	1/3
11	S458-1014	893	381	3/3	25	S458-9013	1374	463	1/3
12	S458-2003	1464	419	2/3	26	ZK3-5111	452	127	3/3
13	S458-2004	1464	419	2/3	27	ZK4-513	350	140	3/3
14	S458-3004	450	366	2/3	28	ZK4-514	350	140	3/3



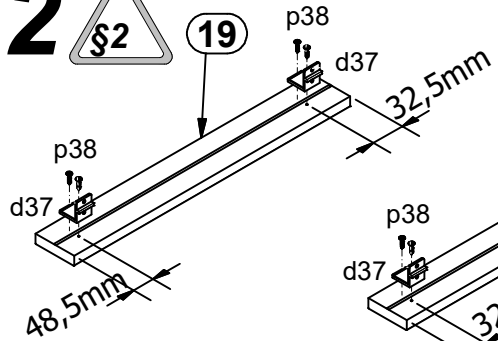
6x  a132	2x  a133	2x  a160	8x  b43	28x  d1	8x  d3	12x  d37	4x  e1	16x  e2
4x  e27	8x  e47	28x  f1	2x  f9	4x  f25	4x  k27	2x  k134	15x  l1	12x  l2
14x  n108	2x  o438	8x  o54	1x  o7013	2x  p1	51x  p38	16x  p51	14x  p55	10x  p140
28x  r1	4x  r15	24x  r42	4x  r51	2x  w2561	2x  w2562	1x  z281	1x  z282	1x  z283
3x  z284	8x  s68	1x  z15				1x  n26	1x  p38	



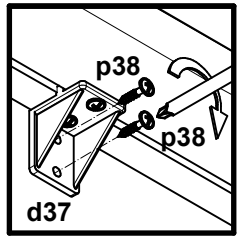
# 2



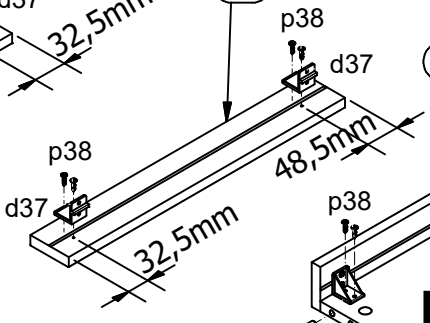
19



48,5mm

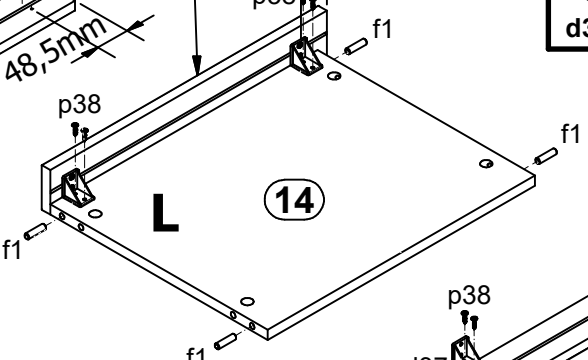


19

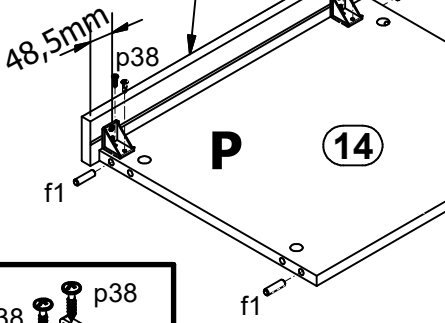


19

14

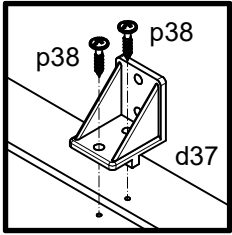
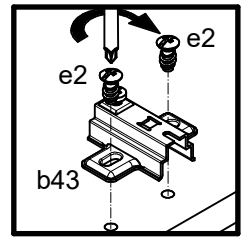


19



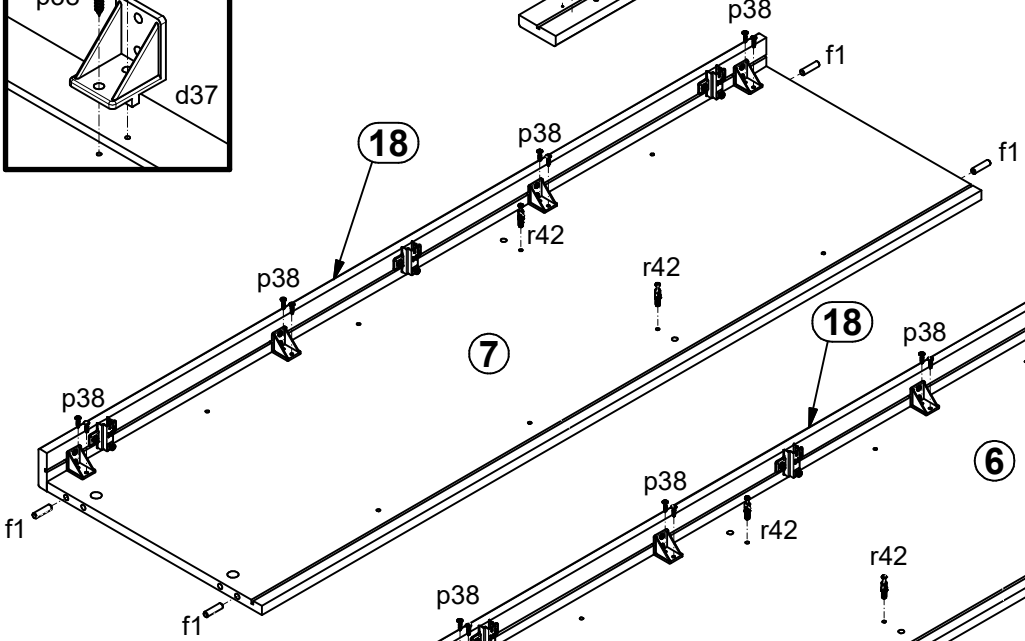
14

2x 18

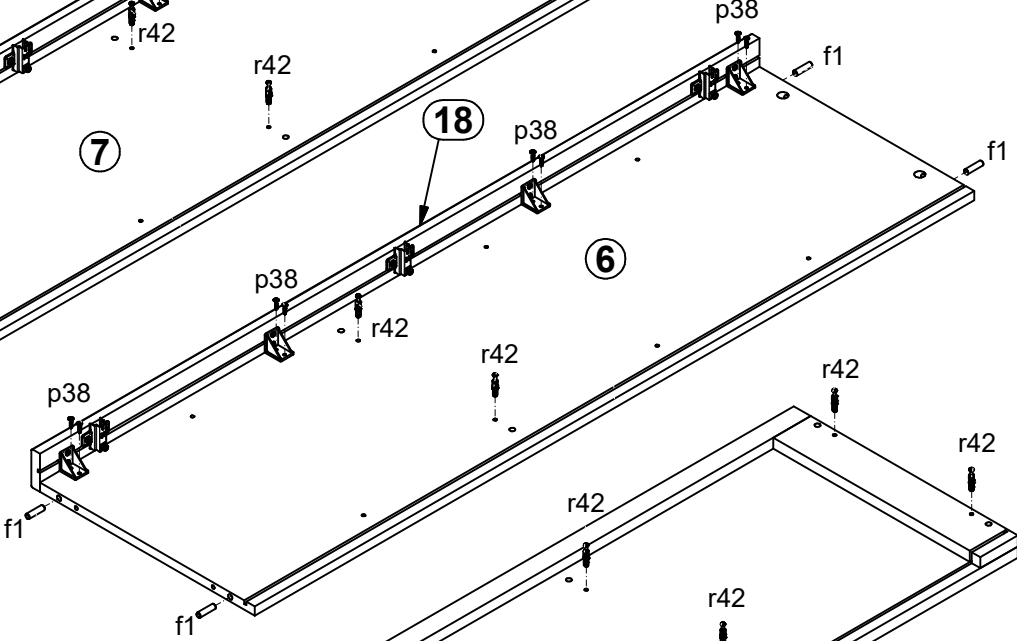


18

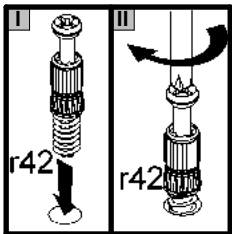
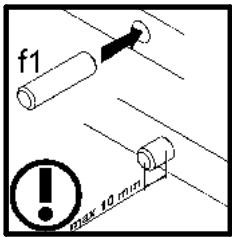
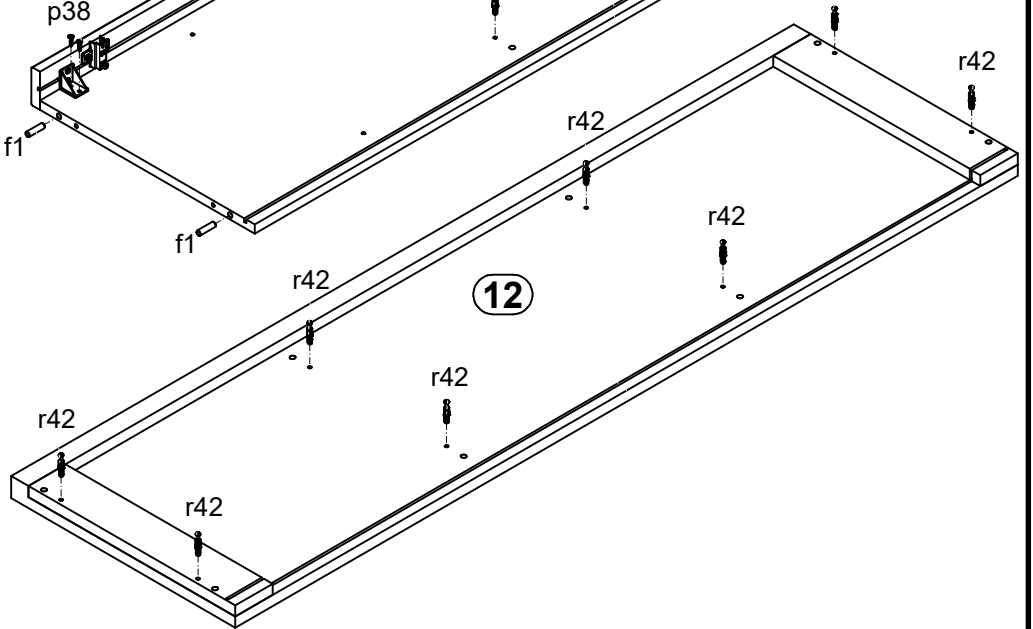
7



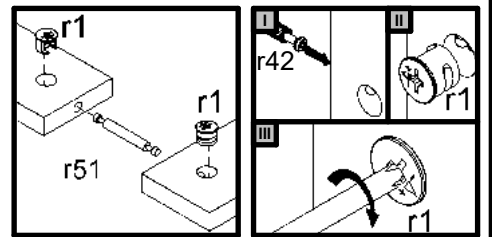
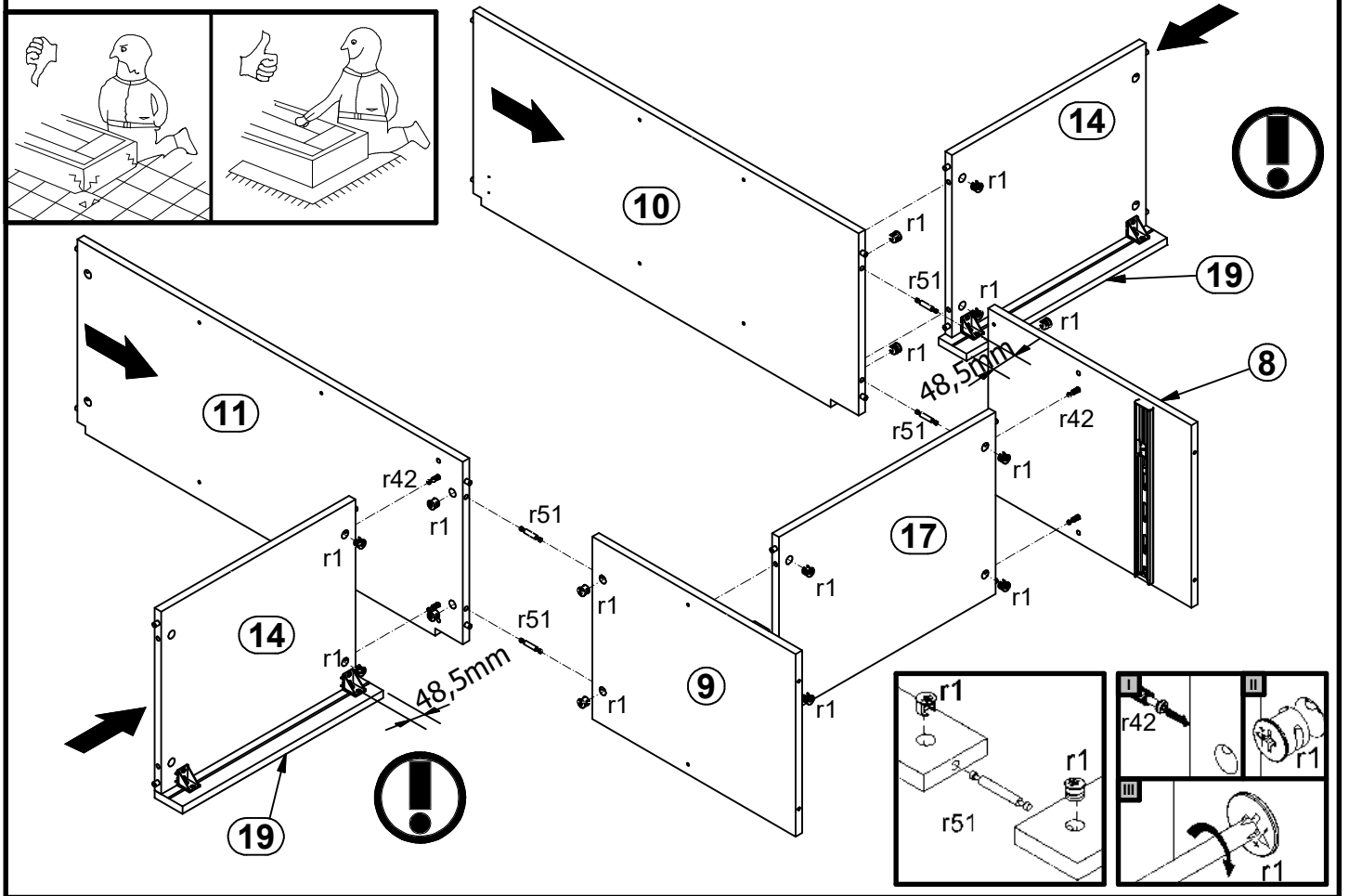
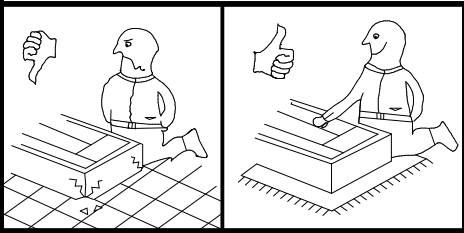
6



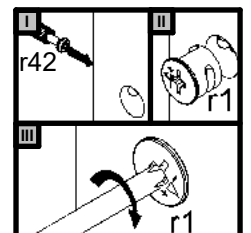
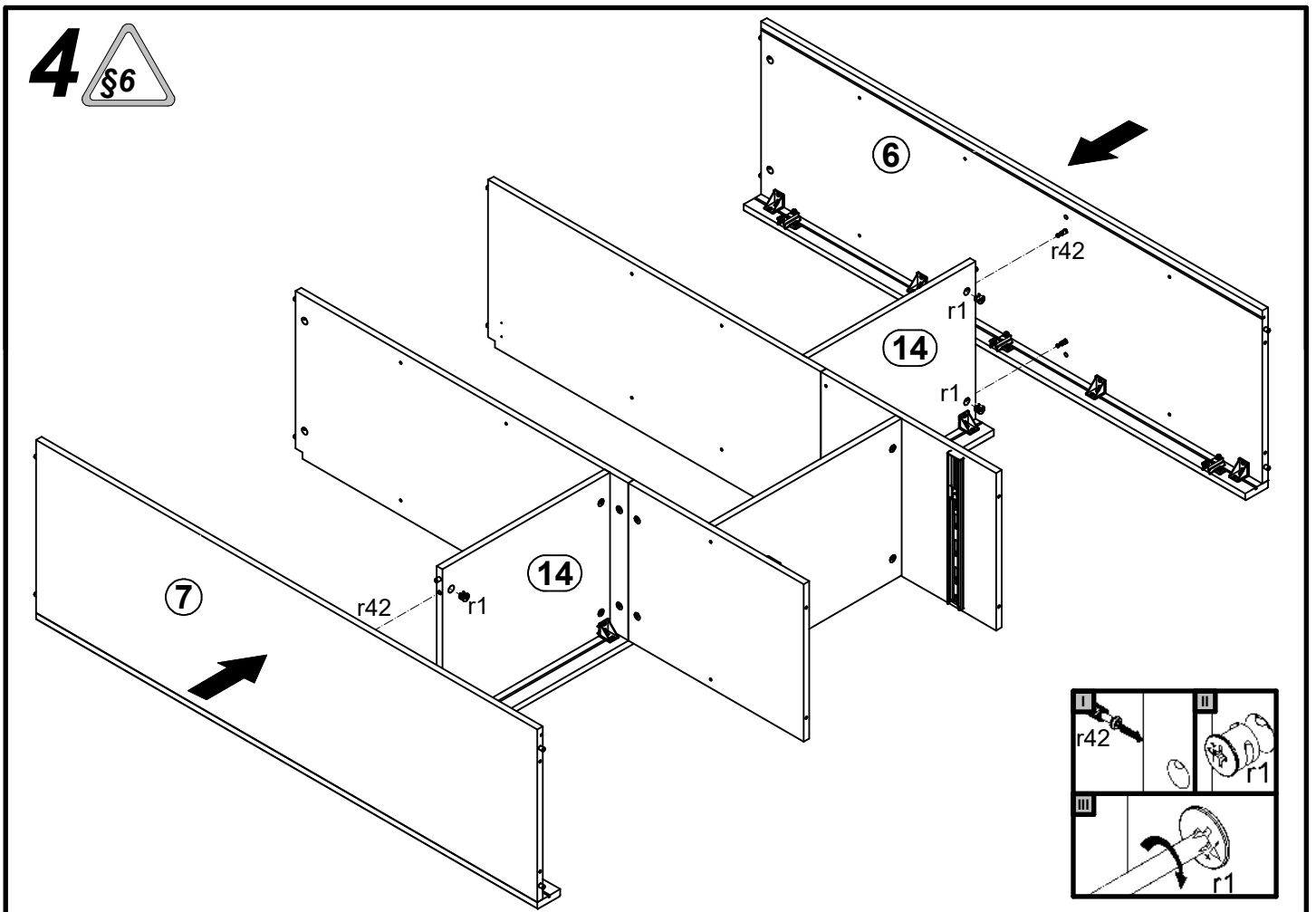
12

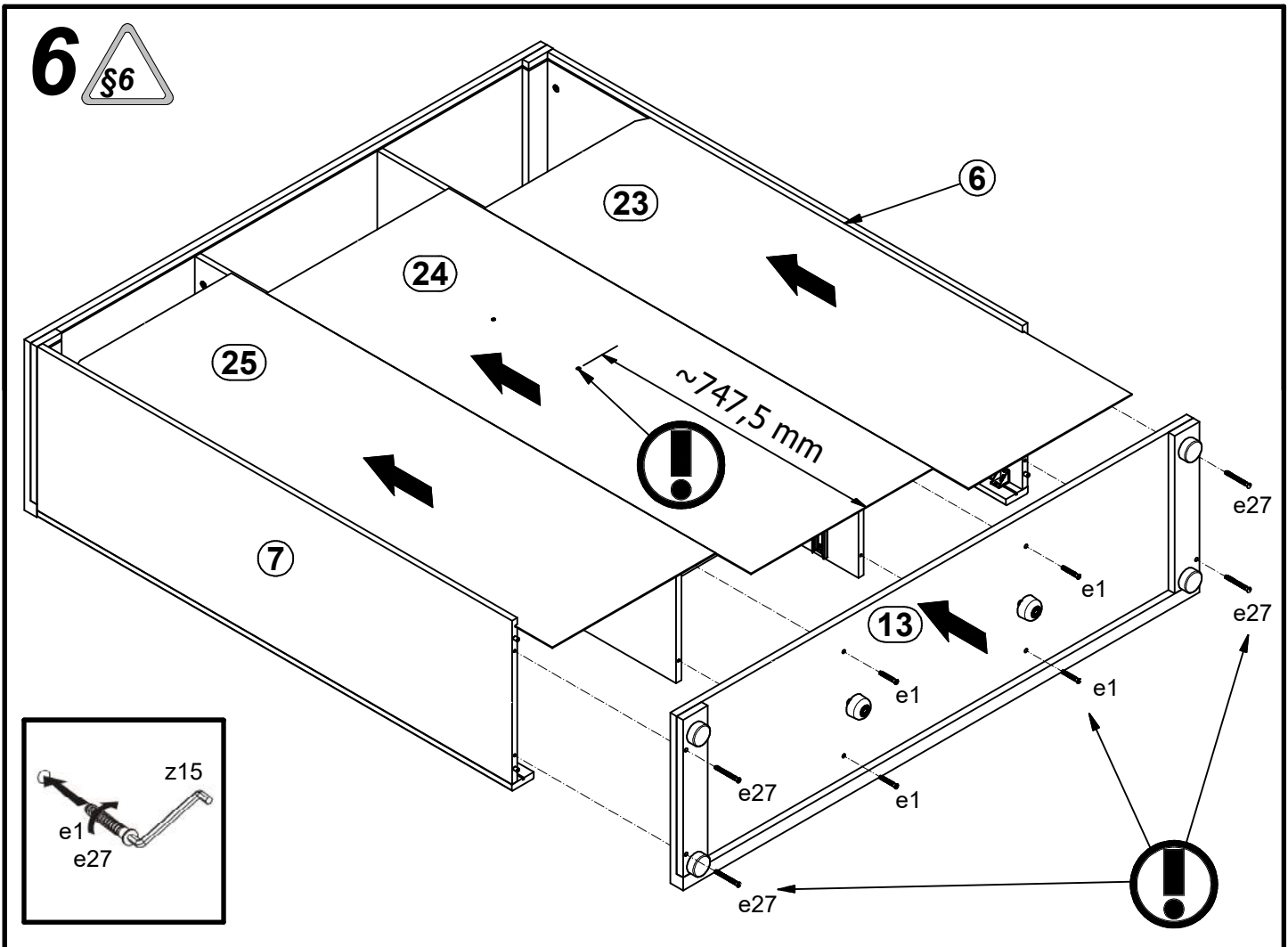
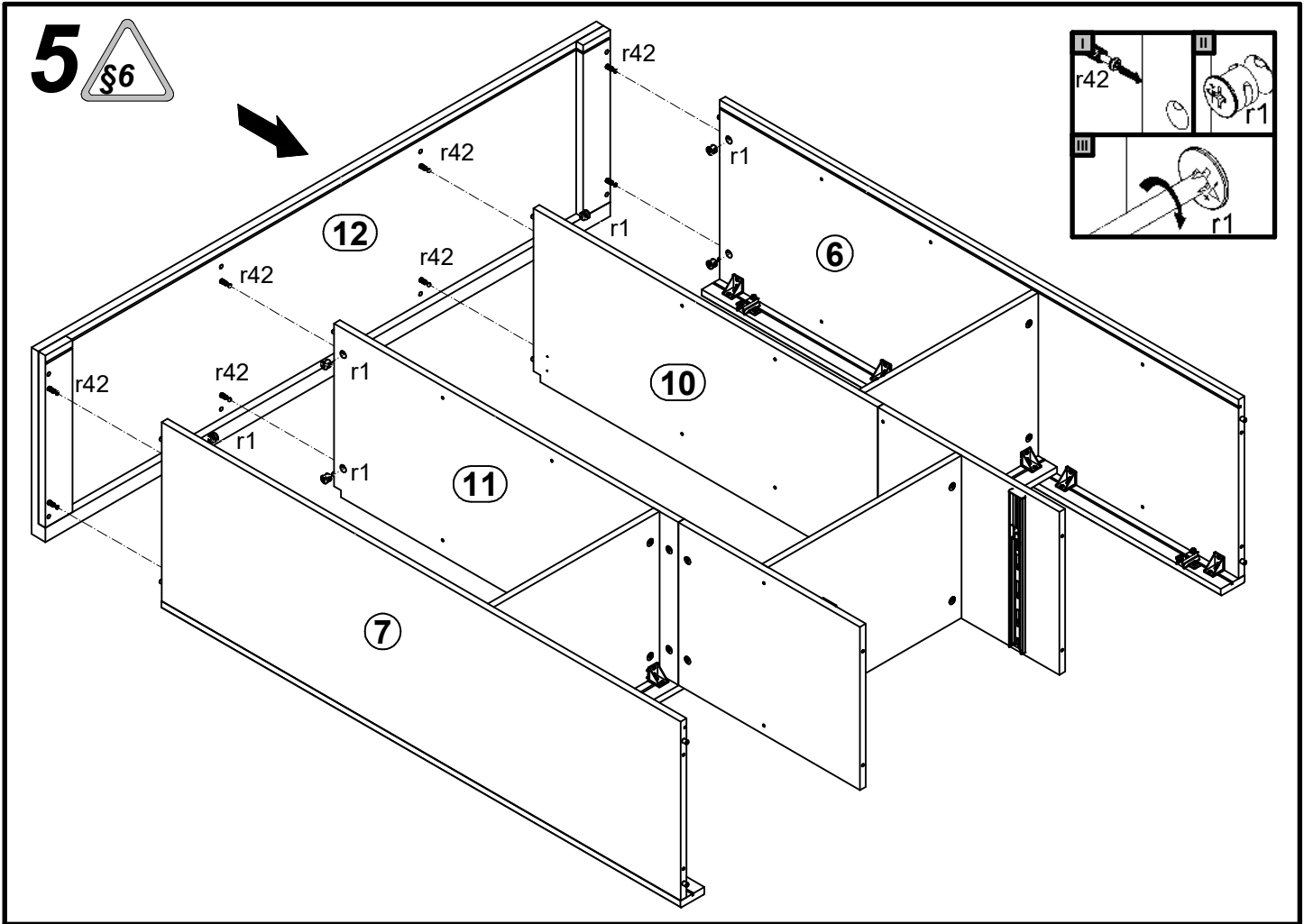


3 §6

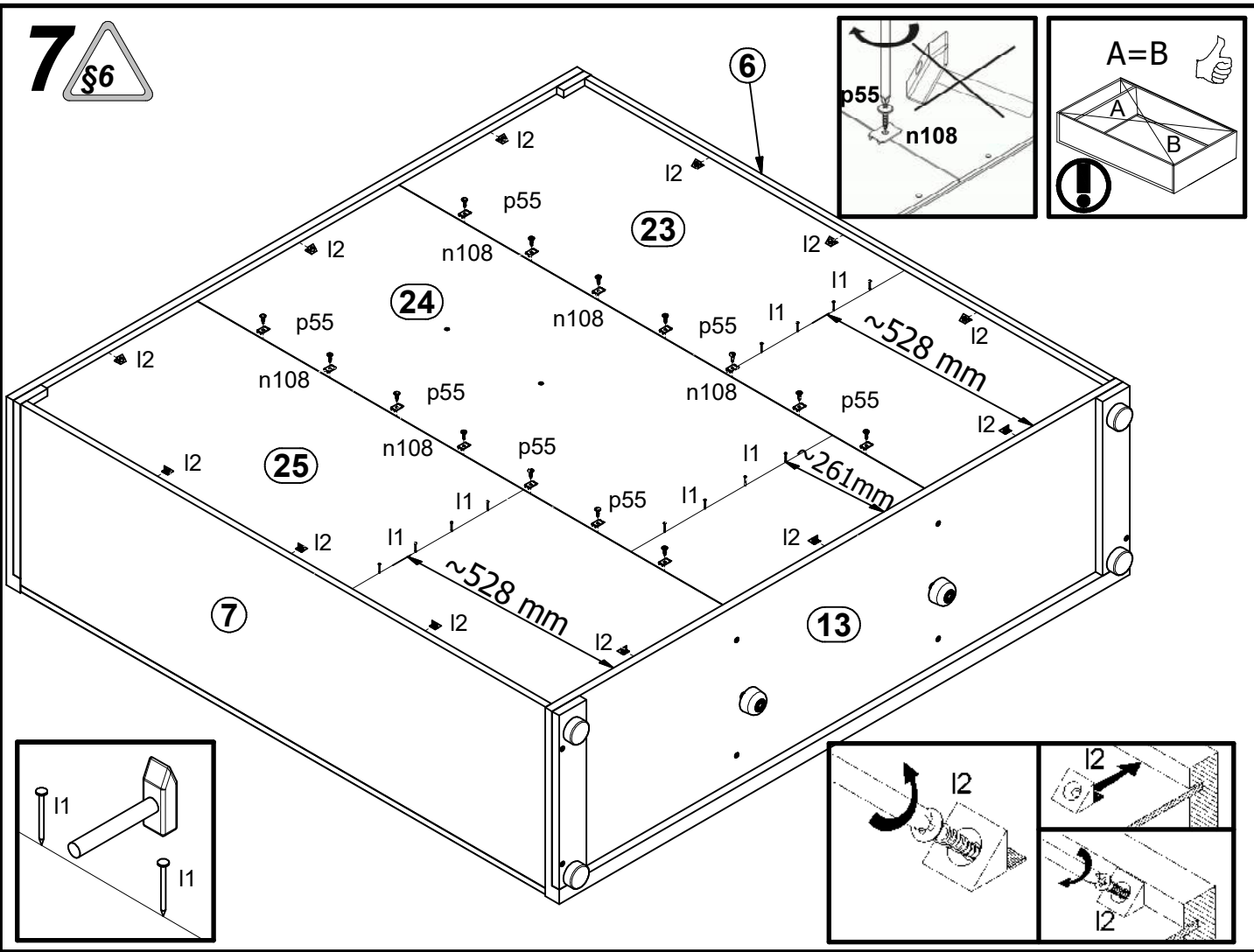


4 §6

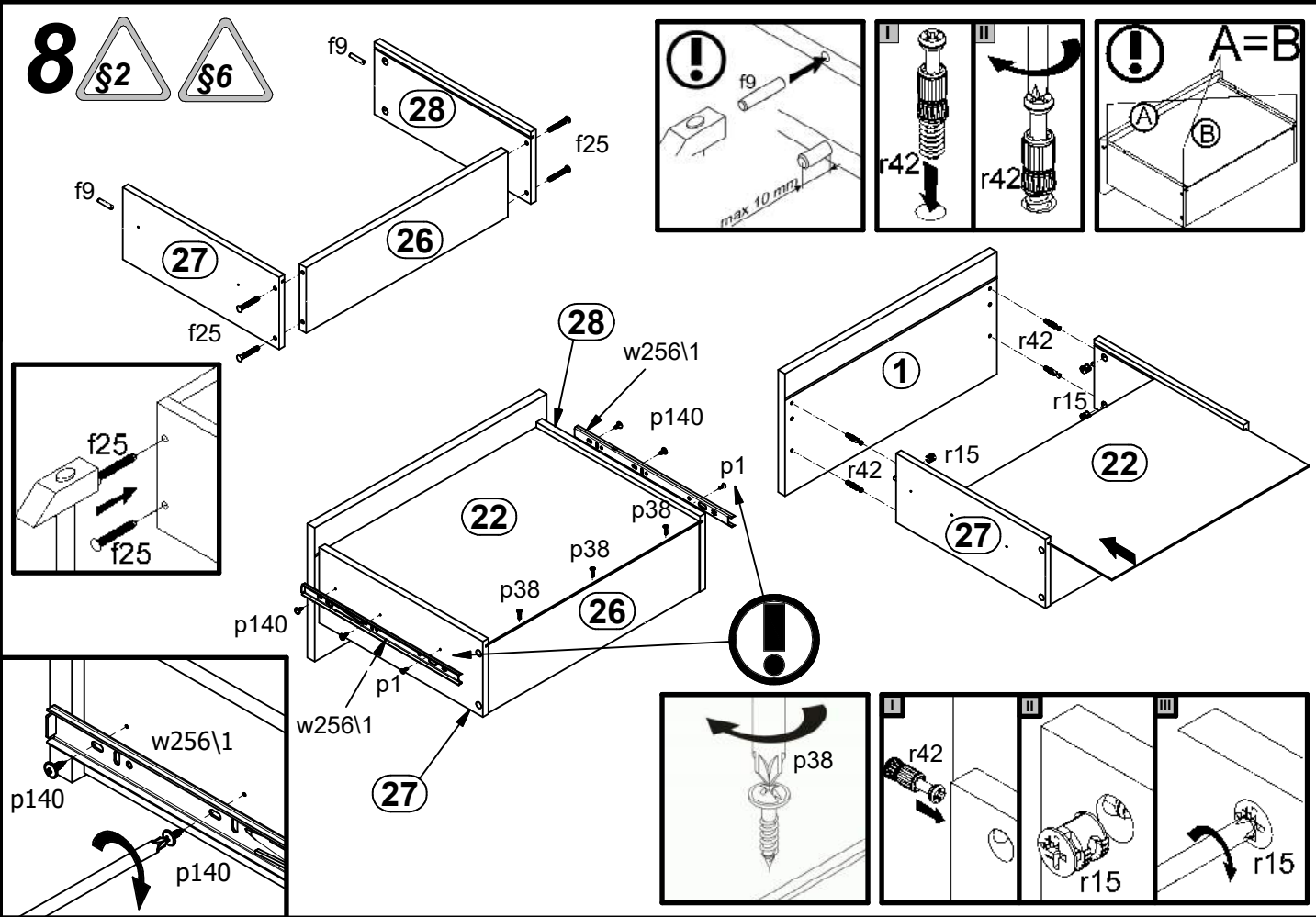




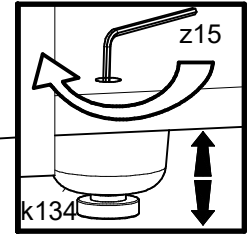
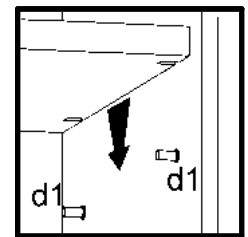
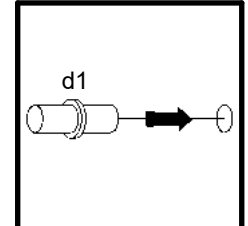
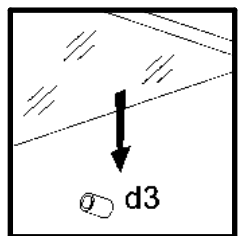
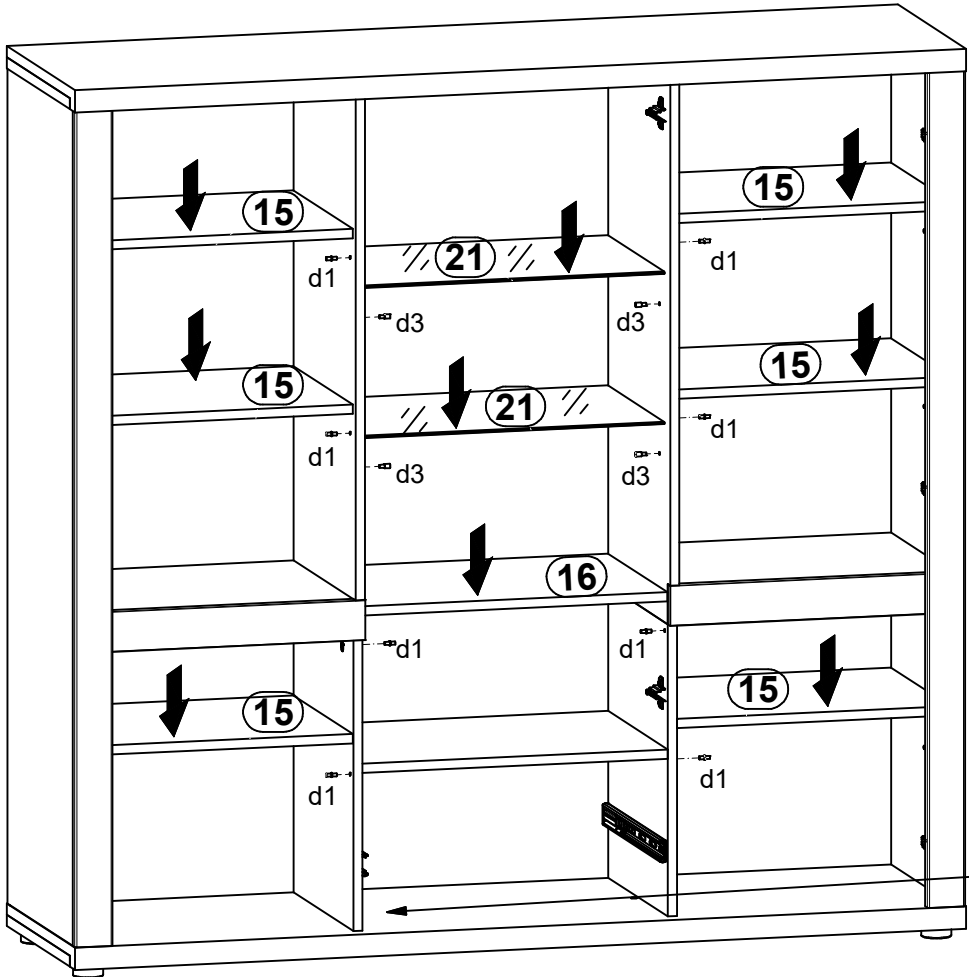
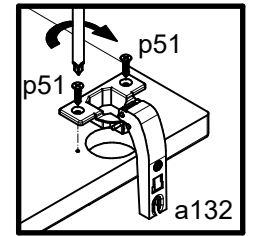
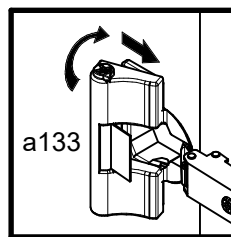
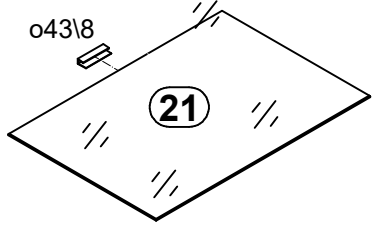
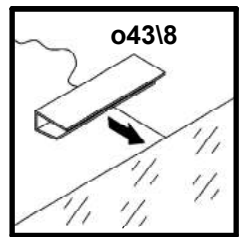
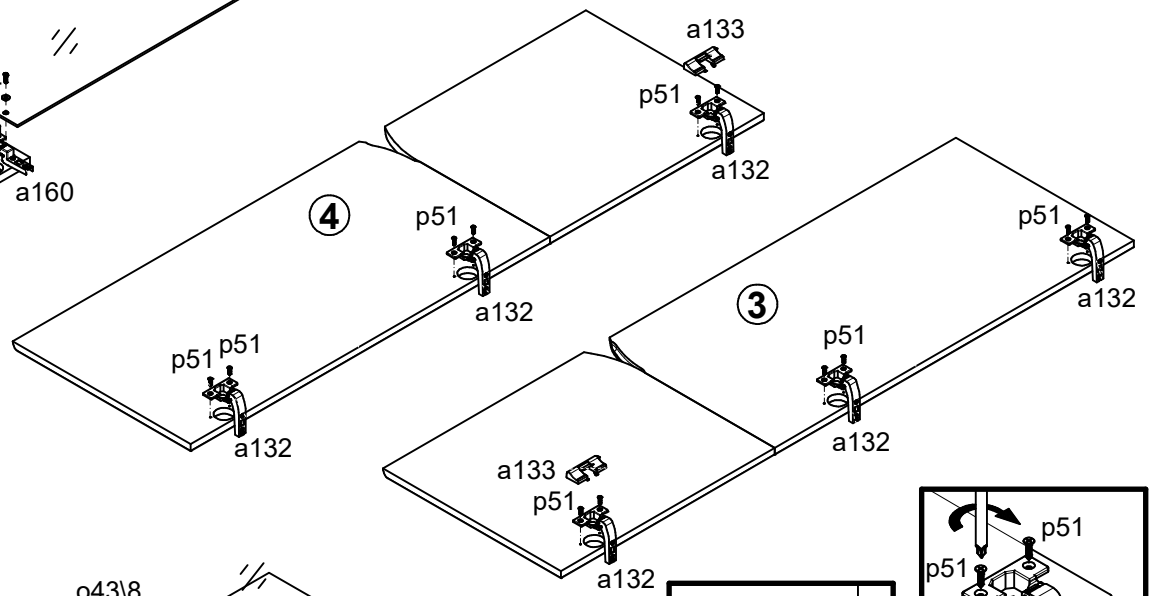
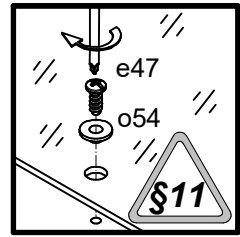
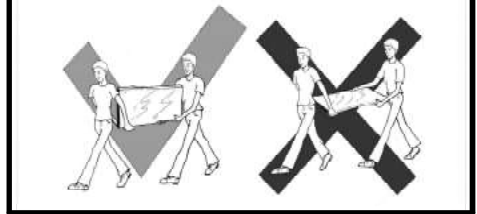
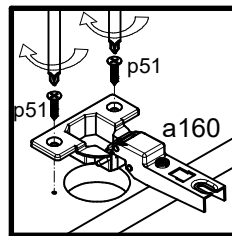
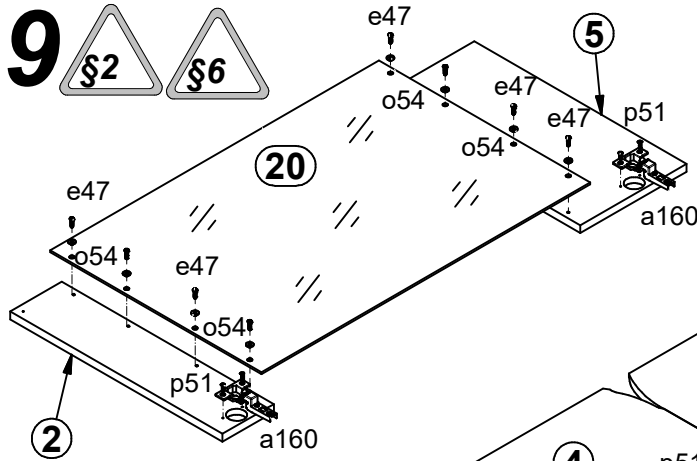
**7**



**8**



9  



# 10

