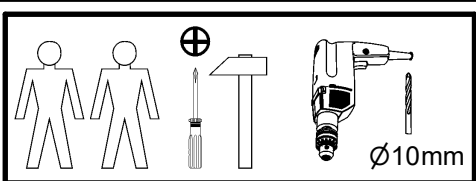
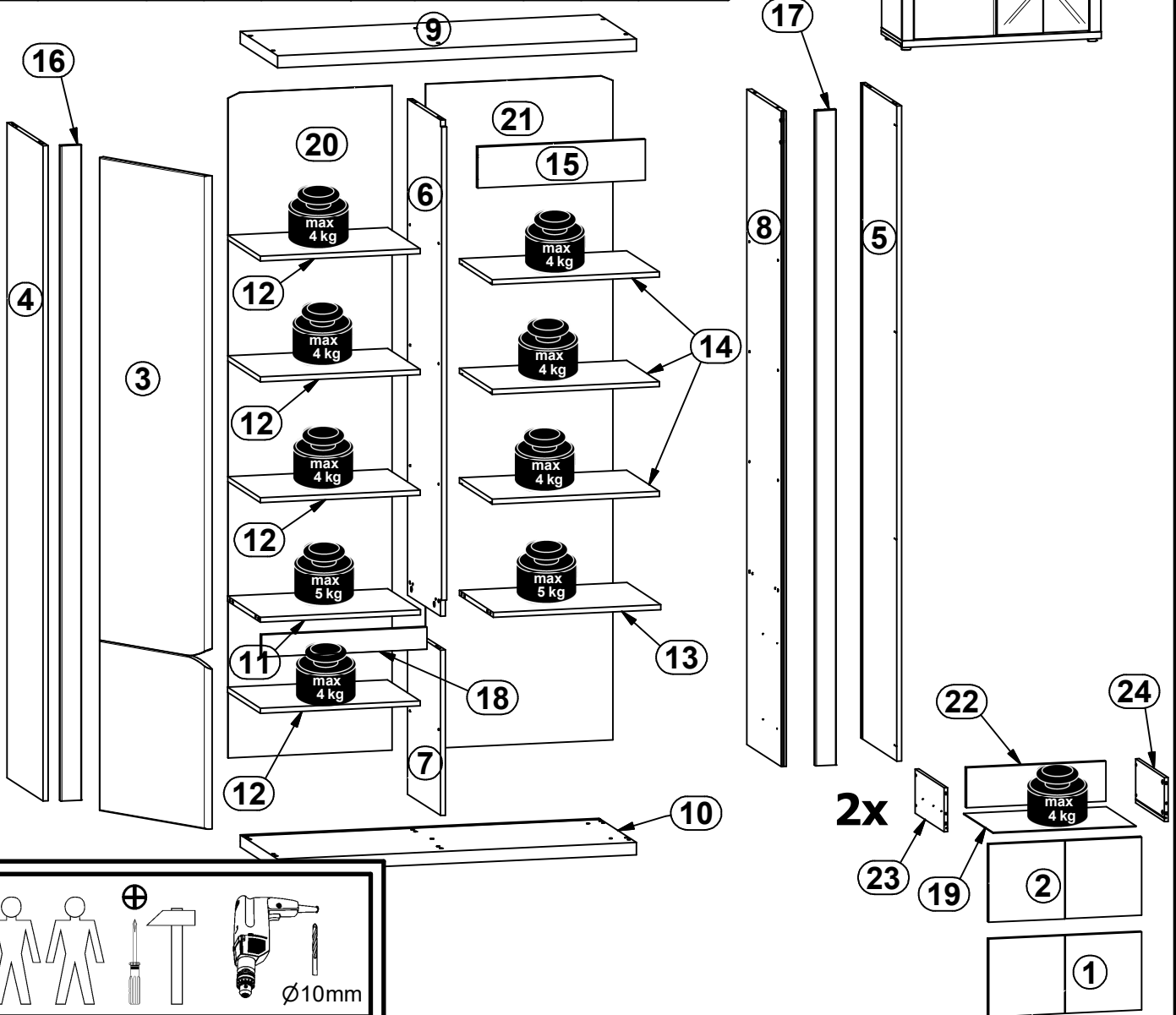
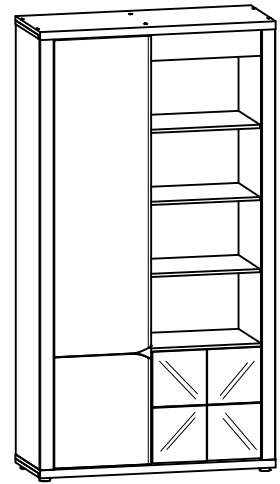


**A**

# ROVIKA

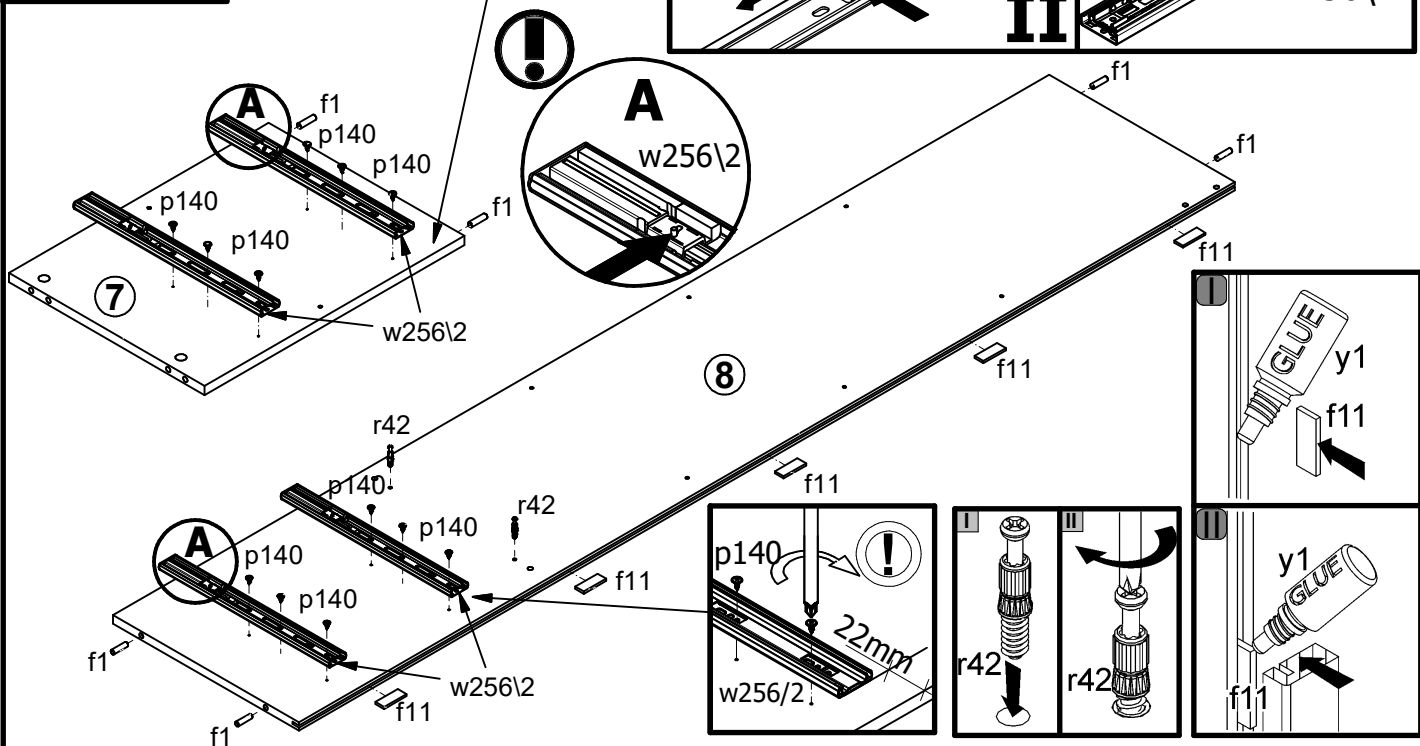
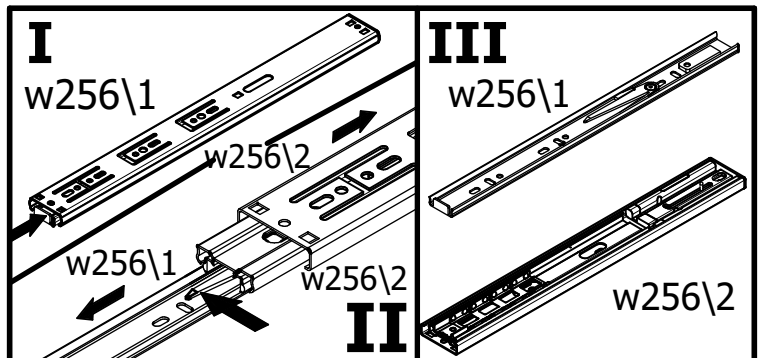
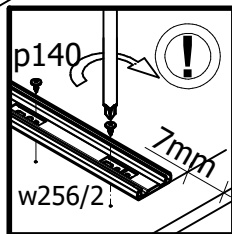
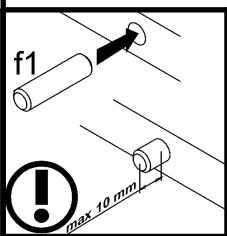
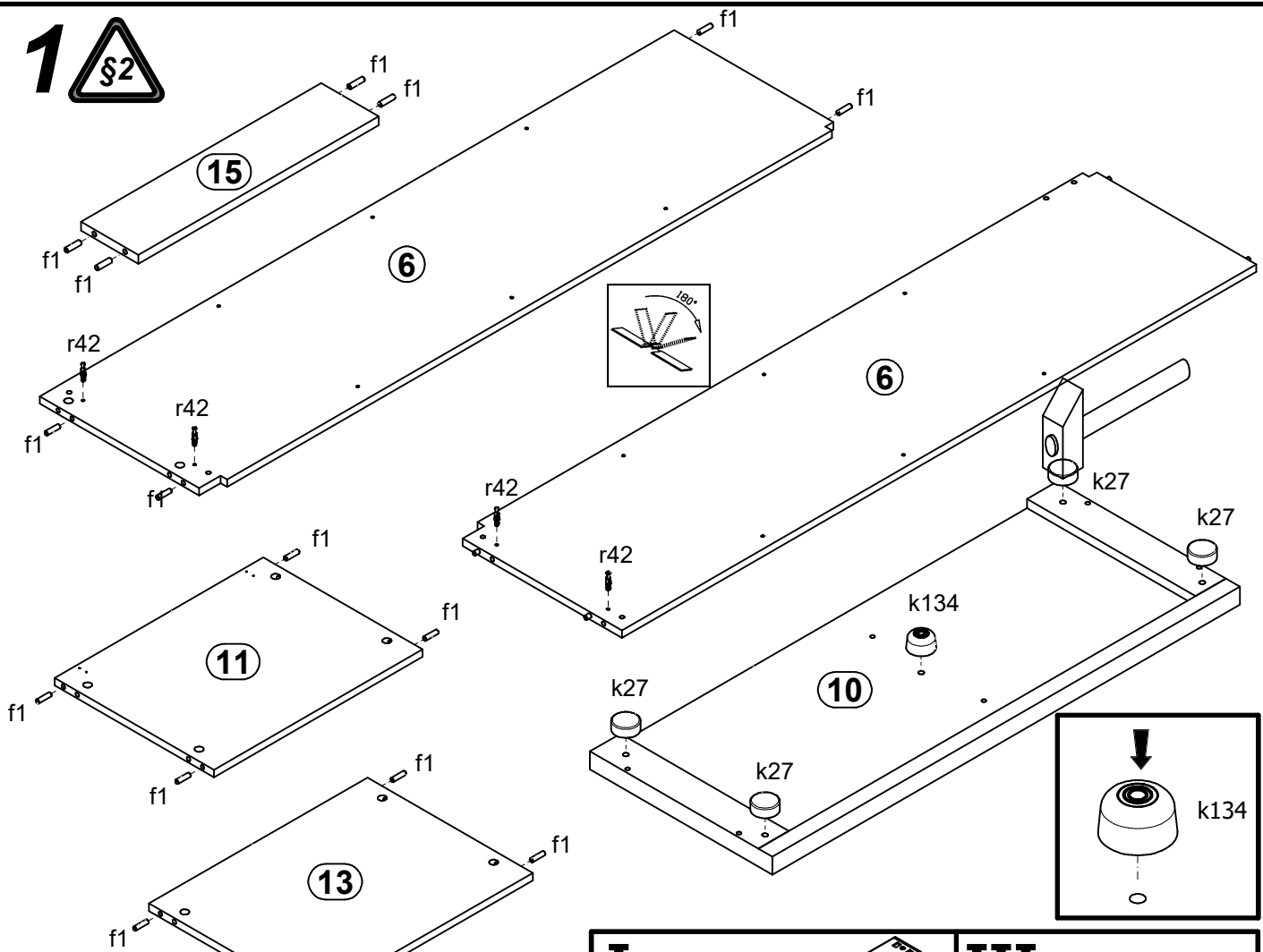
**S458-REG1D2S**

| A  | B         | C    | D   | A   | B  | C         | D        |     |
|----|-----------|------|-----|-----|----|-----------|----------|-----|
| 1  | S458-0001 | 496  | 248 | 2/3 | 13 | S458-3009 | 502 380  | 2/3 |
| 2  | S458-0002 | 496  | 248 | 2/3 | 14 | S458-3010 | 501 365  | 2/3 |
| 3  | S458-0014 | 1920 | 446 | 3/3 | 15 | S458-4006 | 502 120  | 3/3 |
| 4  | S458-1015 | 1926 | 402 | 1/3 | 16 | S458-5004 | 1926 62  | 3/3 |
| 5  | S458-1016 | 1926 | 402 | 1/3 | 17 | S458-5005 | 1926 62  | 3/3 |
| 6  | S458-1017 | 1458 | 381 | 1/3 | 18 | S458-5007 | 495 65   | 3/3 |
| 7  | S458-1018 | 486  | 366 | 2/3 | 19 | S458-9003 | 462 357  | 2/3 |
| 8  | S458-1019 | 1926 | 382 | 3/3 | 20 | S458-9008 | 1954 492 | 3/3 |
| 9  | S458-2005 | 1075 | 419 | 2/3 | 21 | S458-9009 | 1954 561 | 3/3 |
| 10 | S458-2006 | 1075 | 419 | 2/3 | 22 | ZK3-5111  | 452 127  | 2/3 |
| 11 | S458-3001 | 480  | 366 | 2/3 | 23 | ZK4-513   | 350 140  | 3/3 |
| 12 | S458-3002 | 479  | 365 | 1/3 | 24 | ZK4-514   | 350 140  | 3/3 |

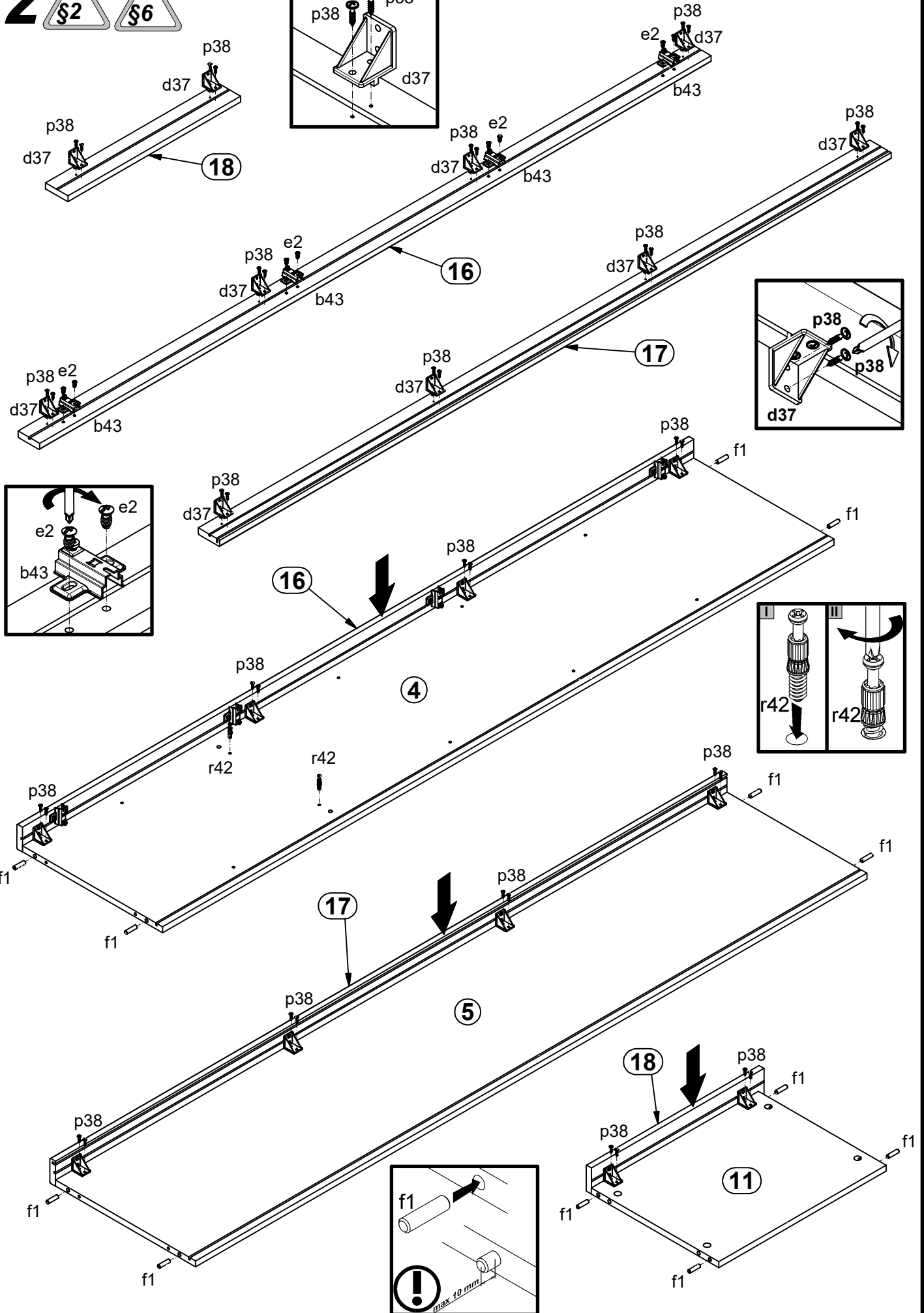
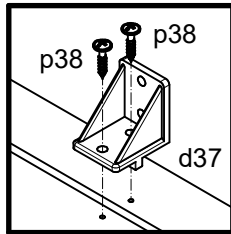


|                             |                             |                               |                                |                                  |                          |                                  |                              |                              |
|-----------------------------|-----------------------------|-------------------------------|--------------------------------|----------------------------------|--------------------------|----------------------------------|------------------------------|------------------------------|
| 4x<br><br>a132              | 1x<br><br>a133              | 4x<br><br>b43                 | 28x<br><br>d1<br>Ø5x17 mm      | 10x<br><br>d37                   | 4x<br><br>e1<br>Ø7x50 mm | 8x<br><br>e2<br>Ø6,3x13 mm       | 8x<br><br>e27<br>Ø7x70 mm    | 30x<br><br>f1<br>Ø8x30 mm    |
| 4x<br><br>f9<br>Ø6x30 mm    | 5x<br><br>f11<br>46x184 mm  | 8x<br><br>f25<br>Ø6,5x40 mm   | 4x<br><br>k27                  | 1x<br><br>k134<br>Ø49x27/45 mm   | 14x<br><br>l2<br>20/11   | 9x<br><br>n108<br>22x9,5x20,7 mm | 4x<br><br>p1<br>Ø3,5x13 mm   | 46x<br><br>p38<br>Ø8x16 mm   |
| 8x<br><br>p51<br>Ø3,5x15 mm | 9x<br><br>p55<br>Ø2,9x16 mm | 20x<br><br>p140<br>Ø3,5x12 mm | 12x<br><br>r1<br>Ø15x12 mm #16 | 8x<br><br>r15<br>Ø12x10,5 mm #12 | 16x<br><br>r42<br>20/11  | 2x<br><br>r51<br>40 mm           | 4x<br><br>w256/1<br>L=350 mm | 4x<br><br>w256/2<br>L=350 mm |
| 1x<br><br>y1/1<br>15g       | 1x<br><br>z15<br>4 mm       |                               |                                |                                  |                          |                                  | 1x<br><br>n26                | 1x<br><br>p38<br>Ø3,5x16 mm  |

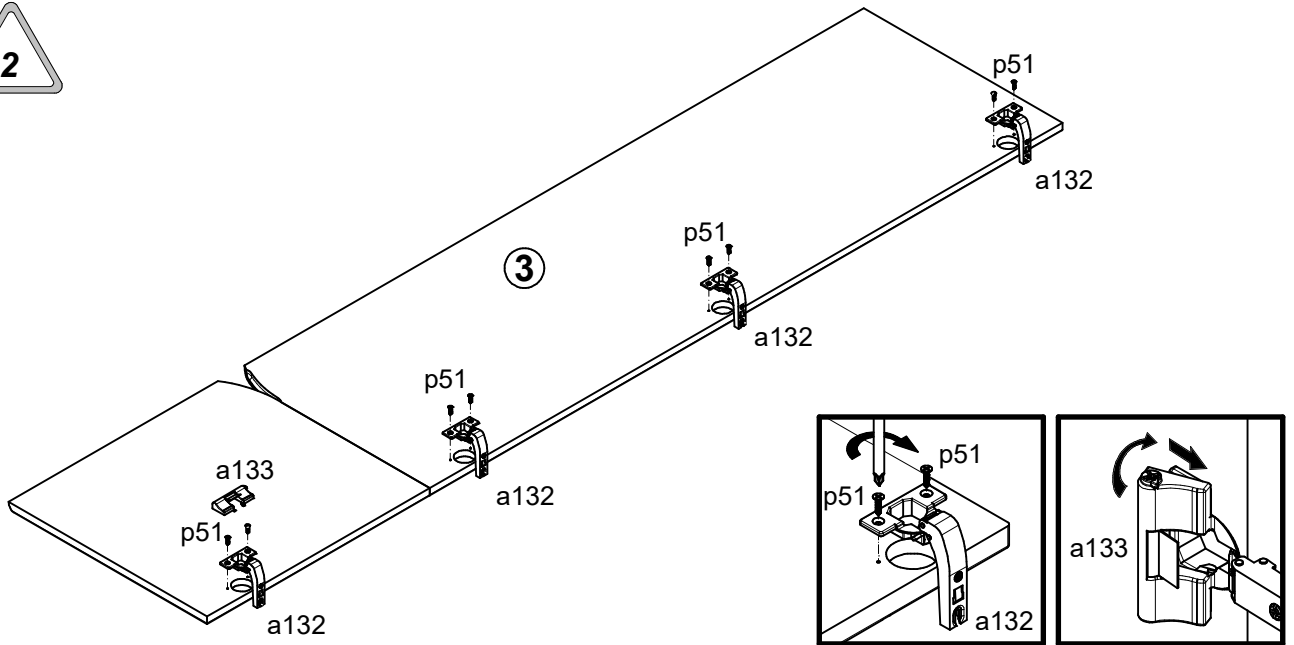
1 



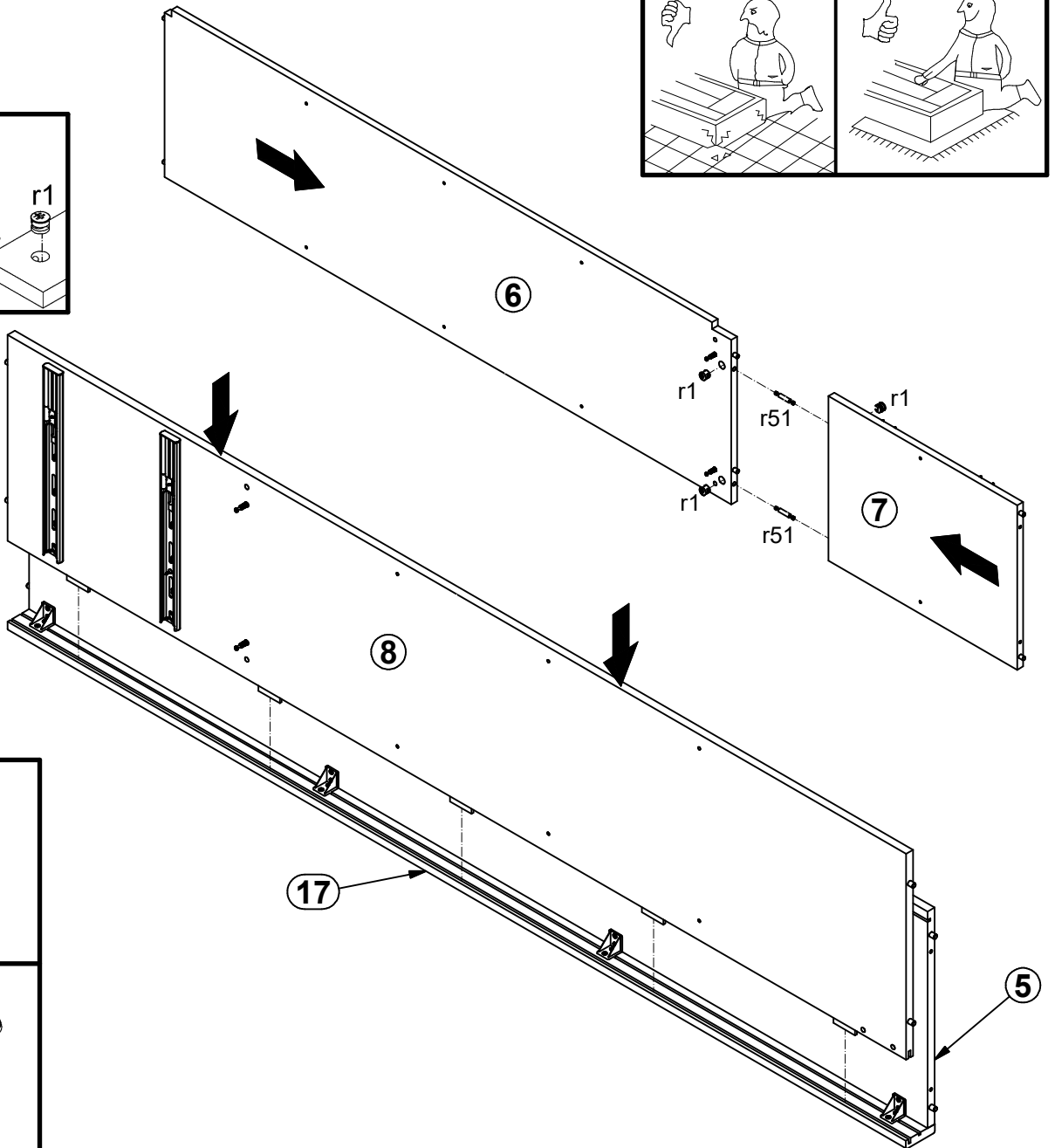
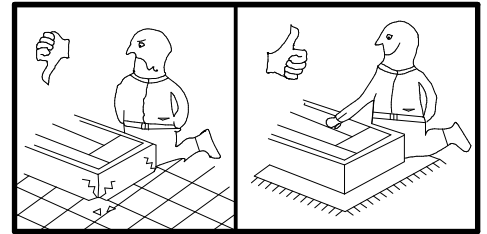
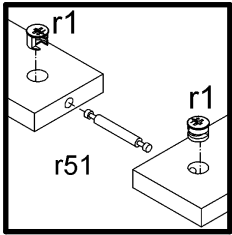
2 §2 §6



3 §2

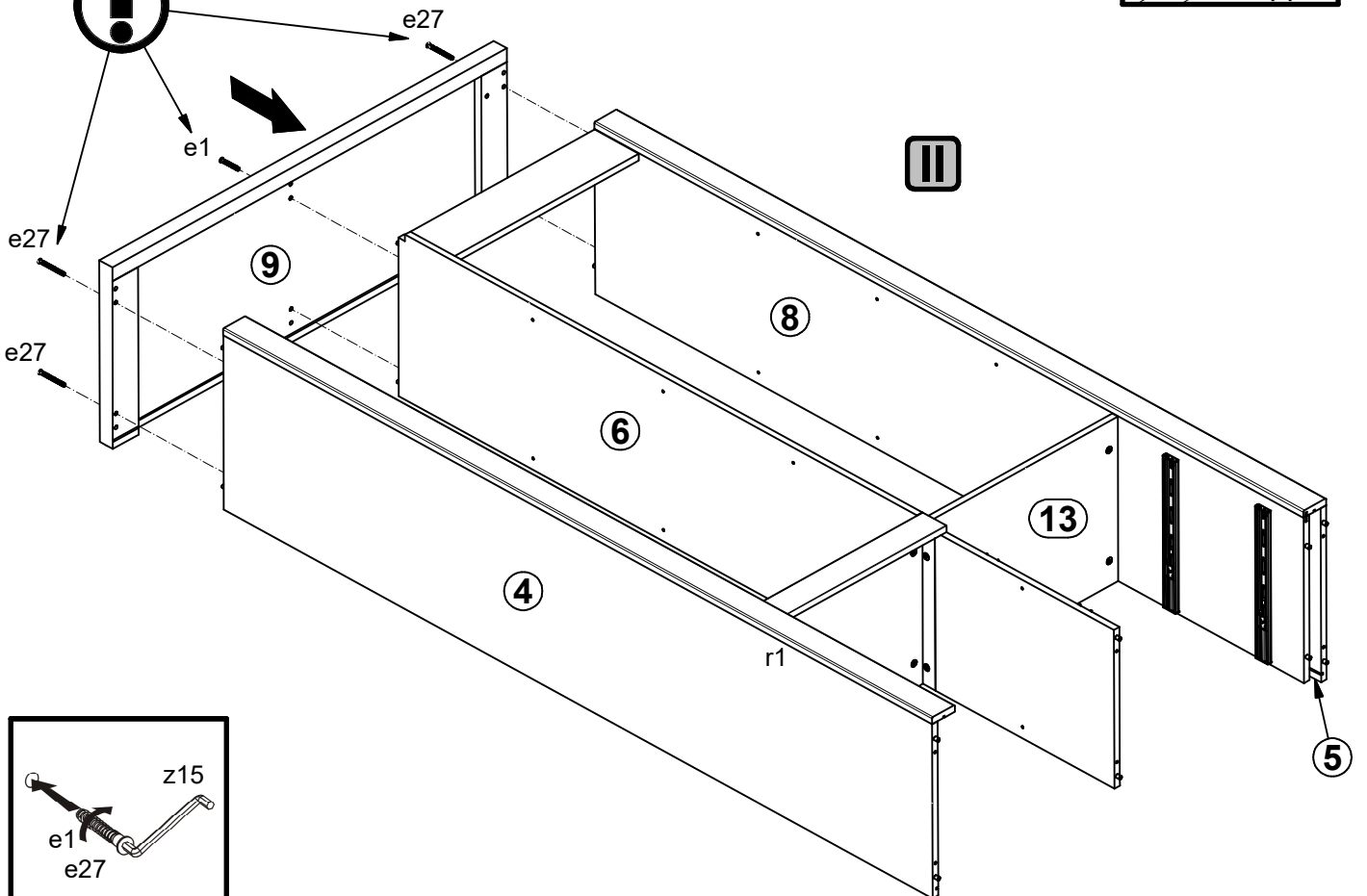
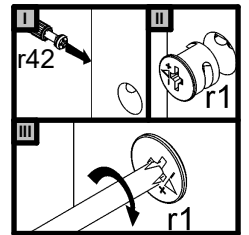
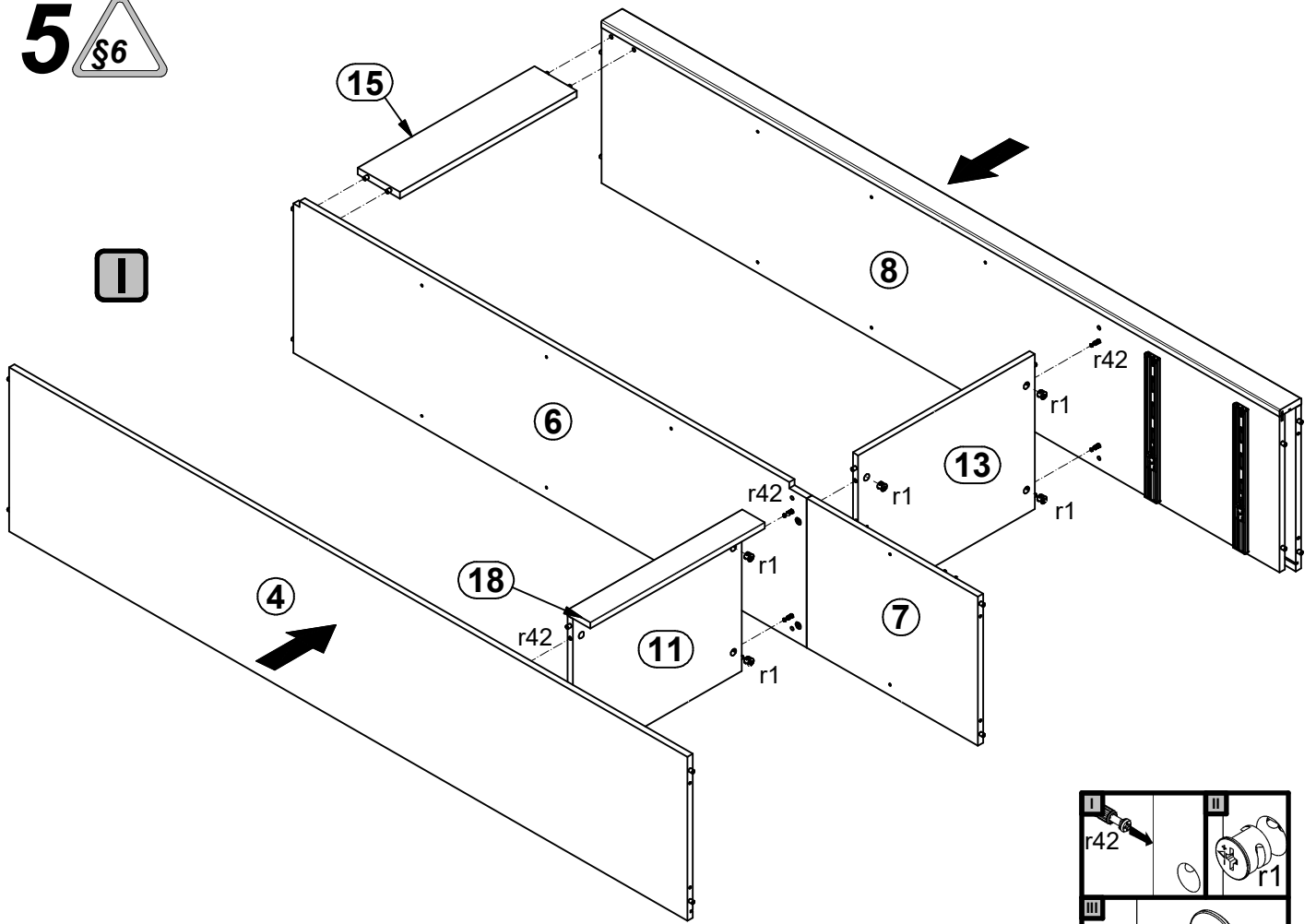


4 §6

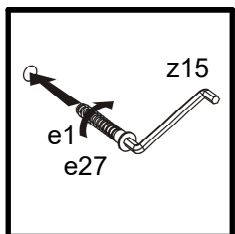


# 5

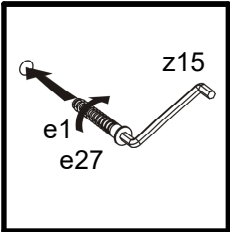
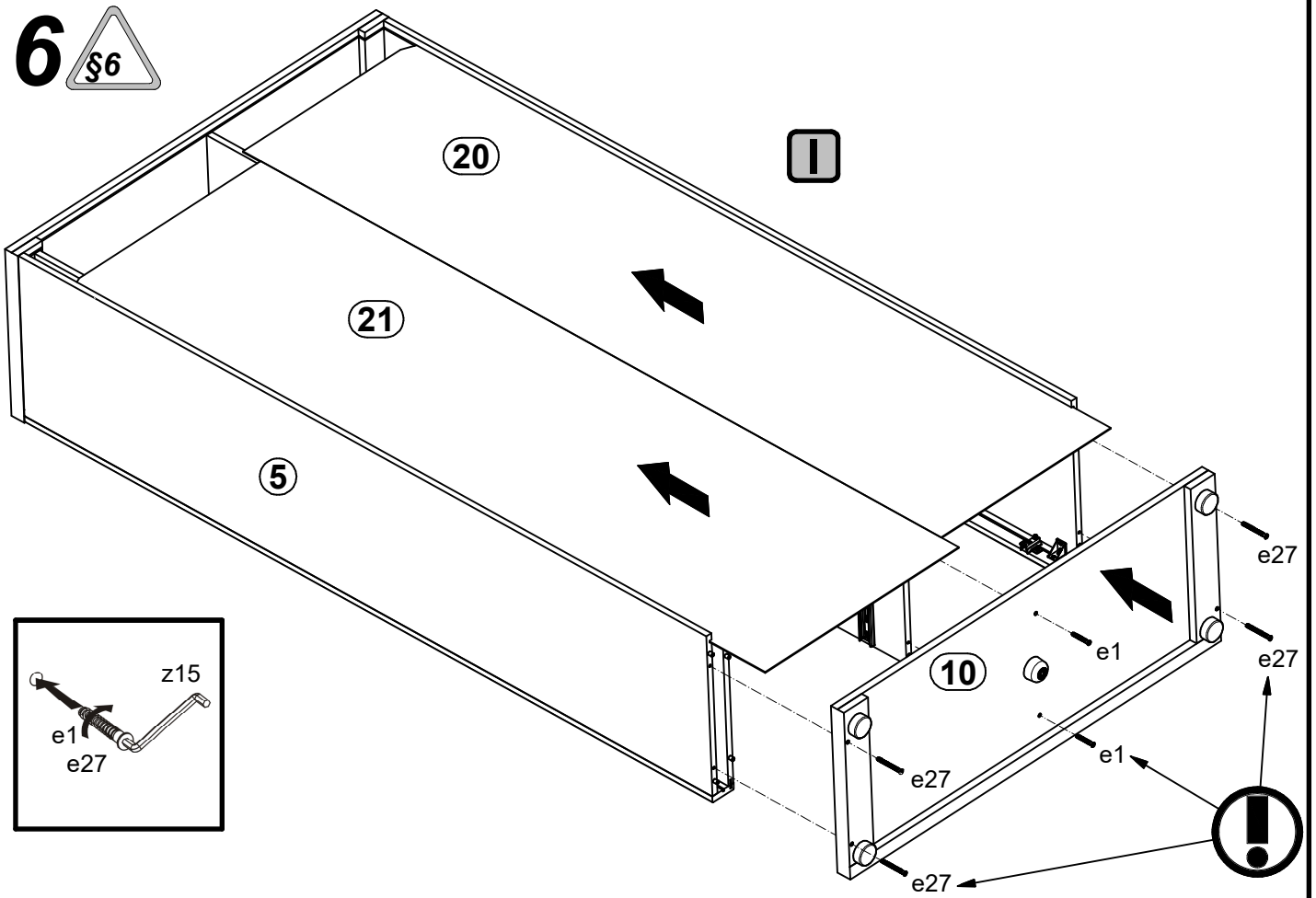
I



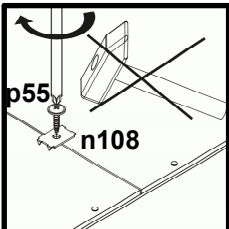
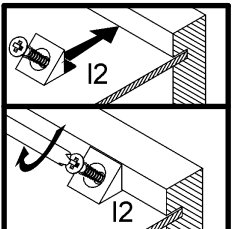
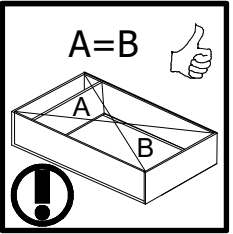
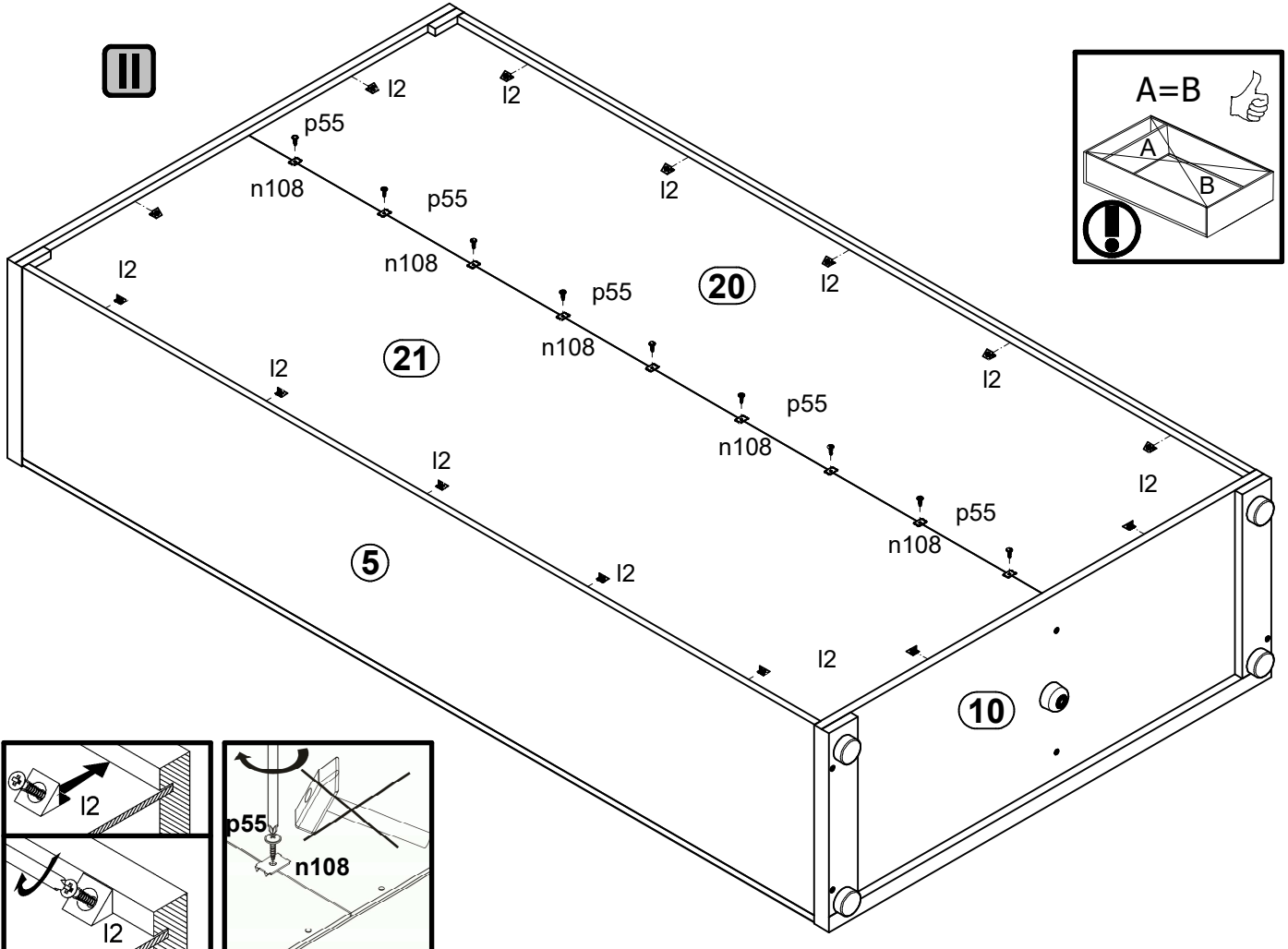
II



6 §6

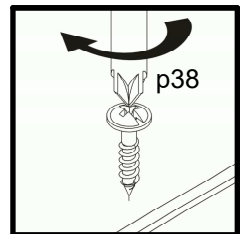
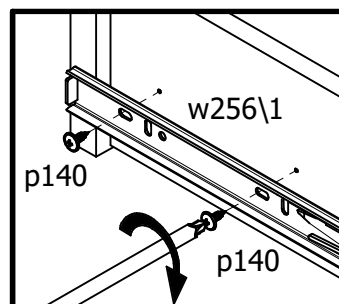
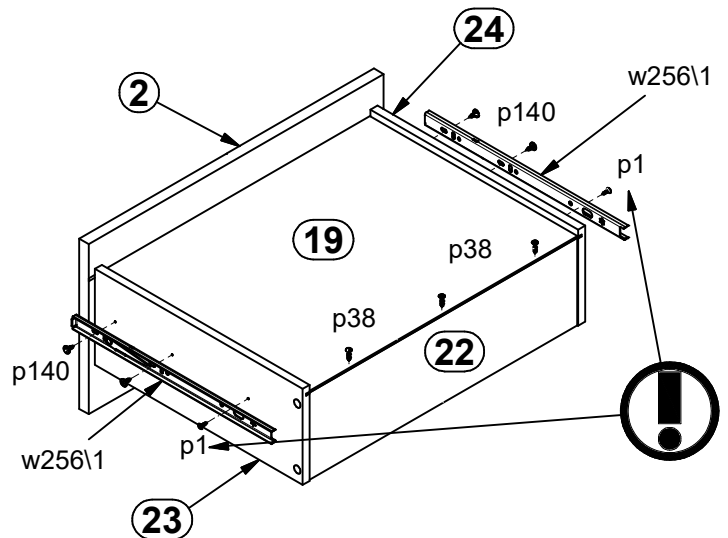
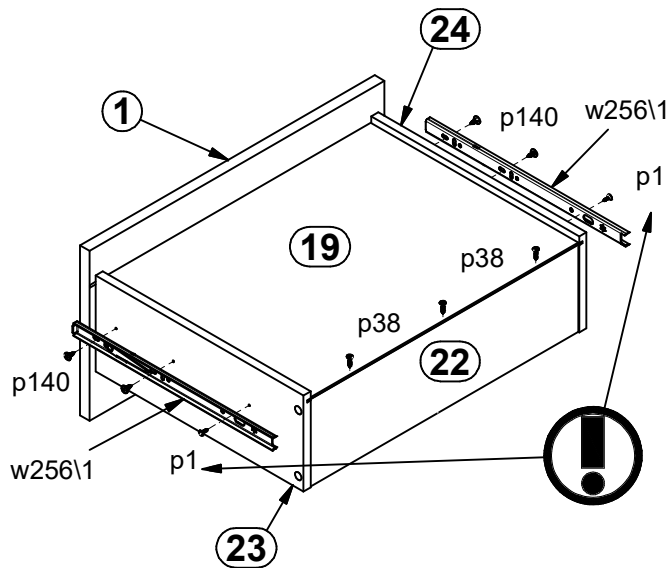
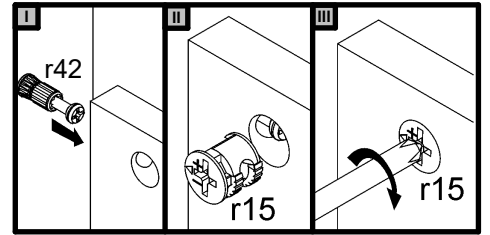
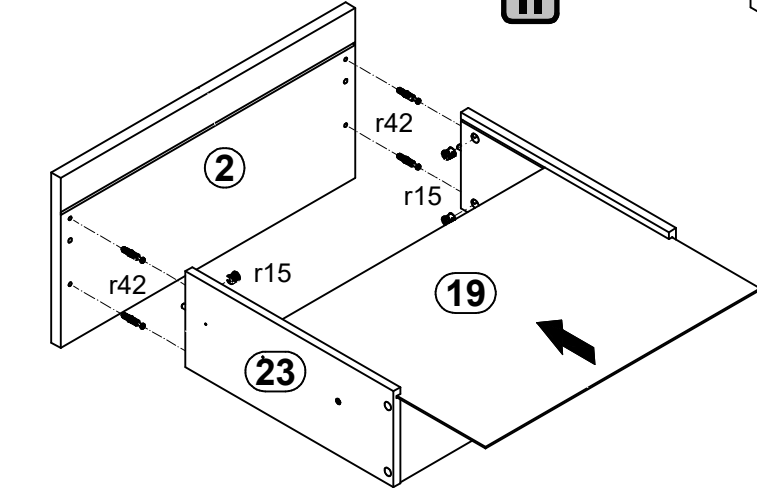
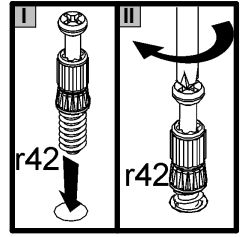
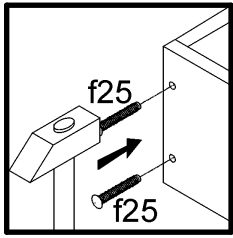
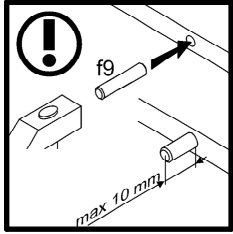
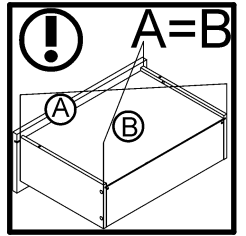


II



7  S6

2x I



8 §6

