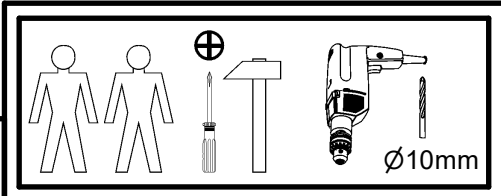
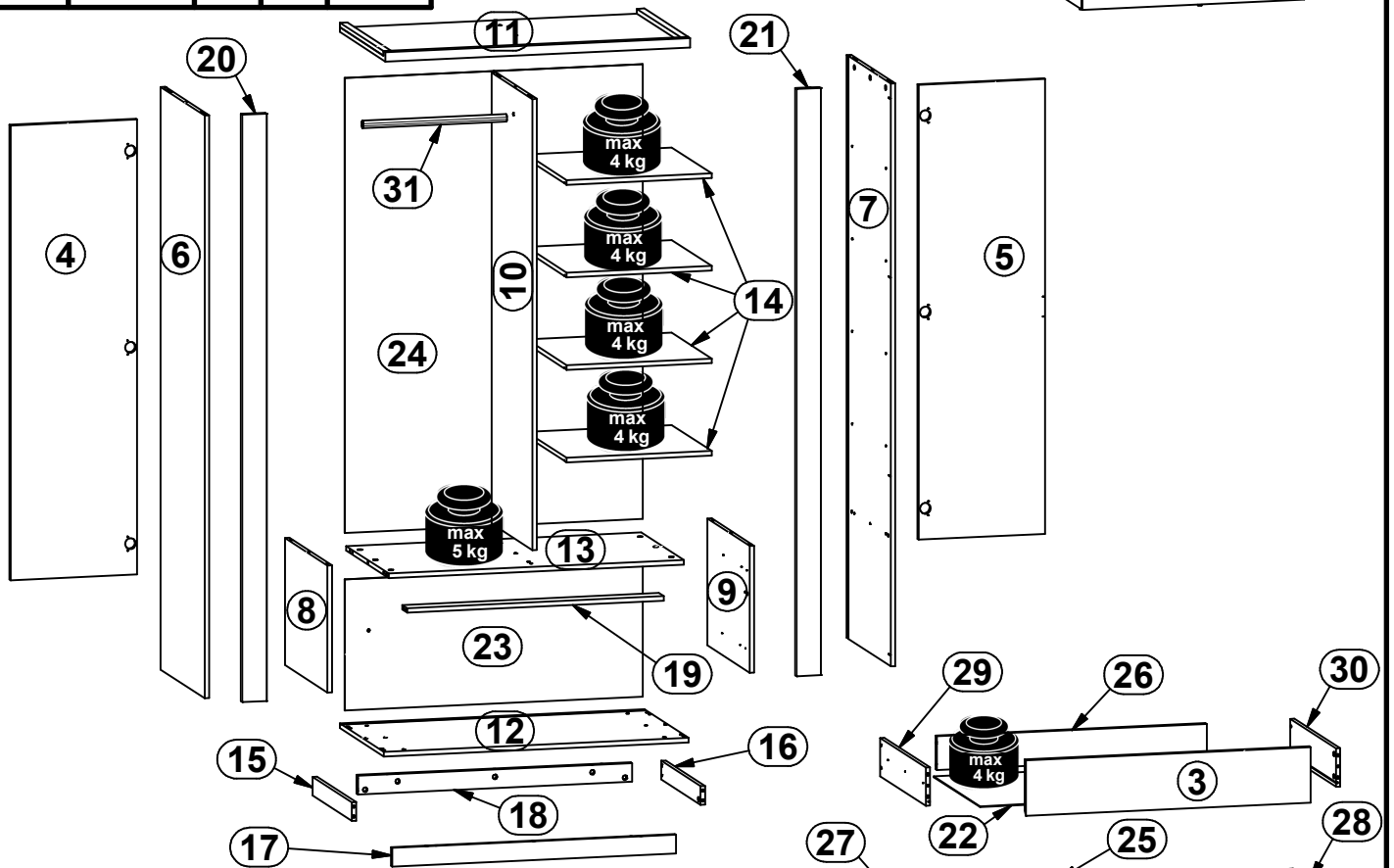
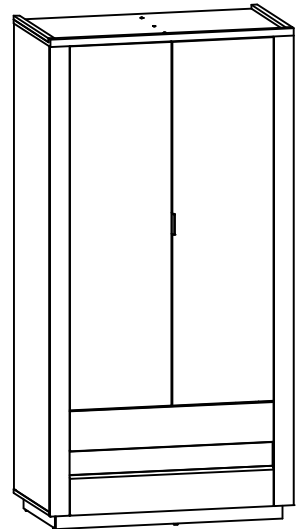
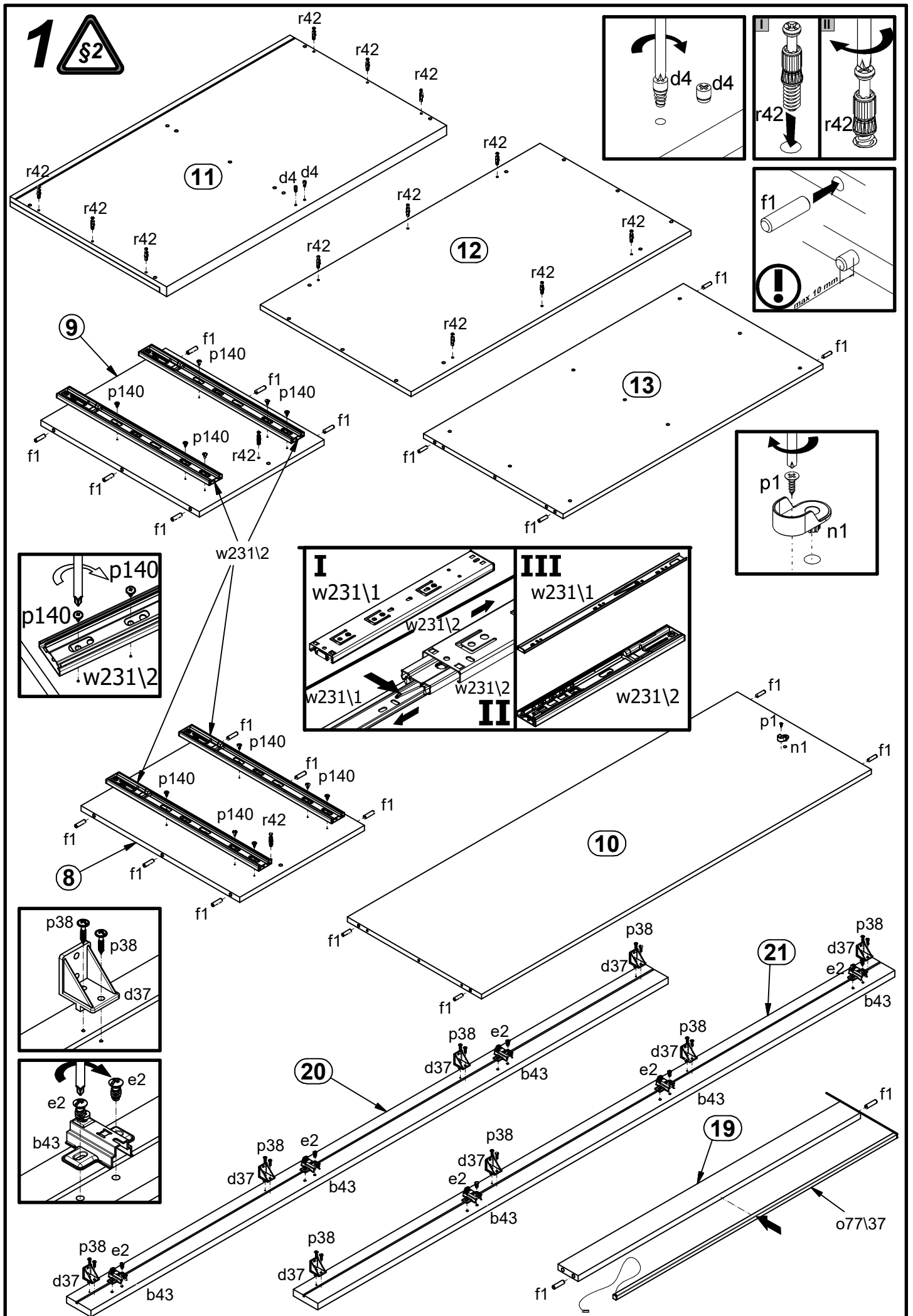


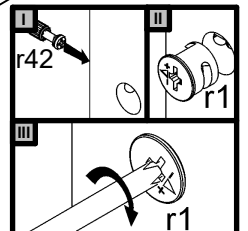
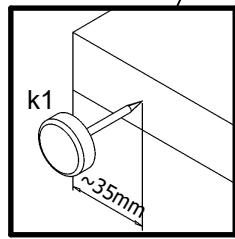
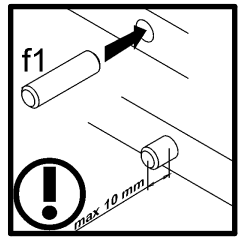
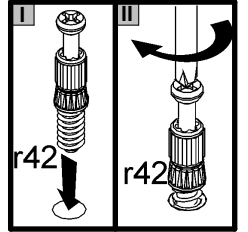
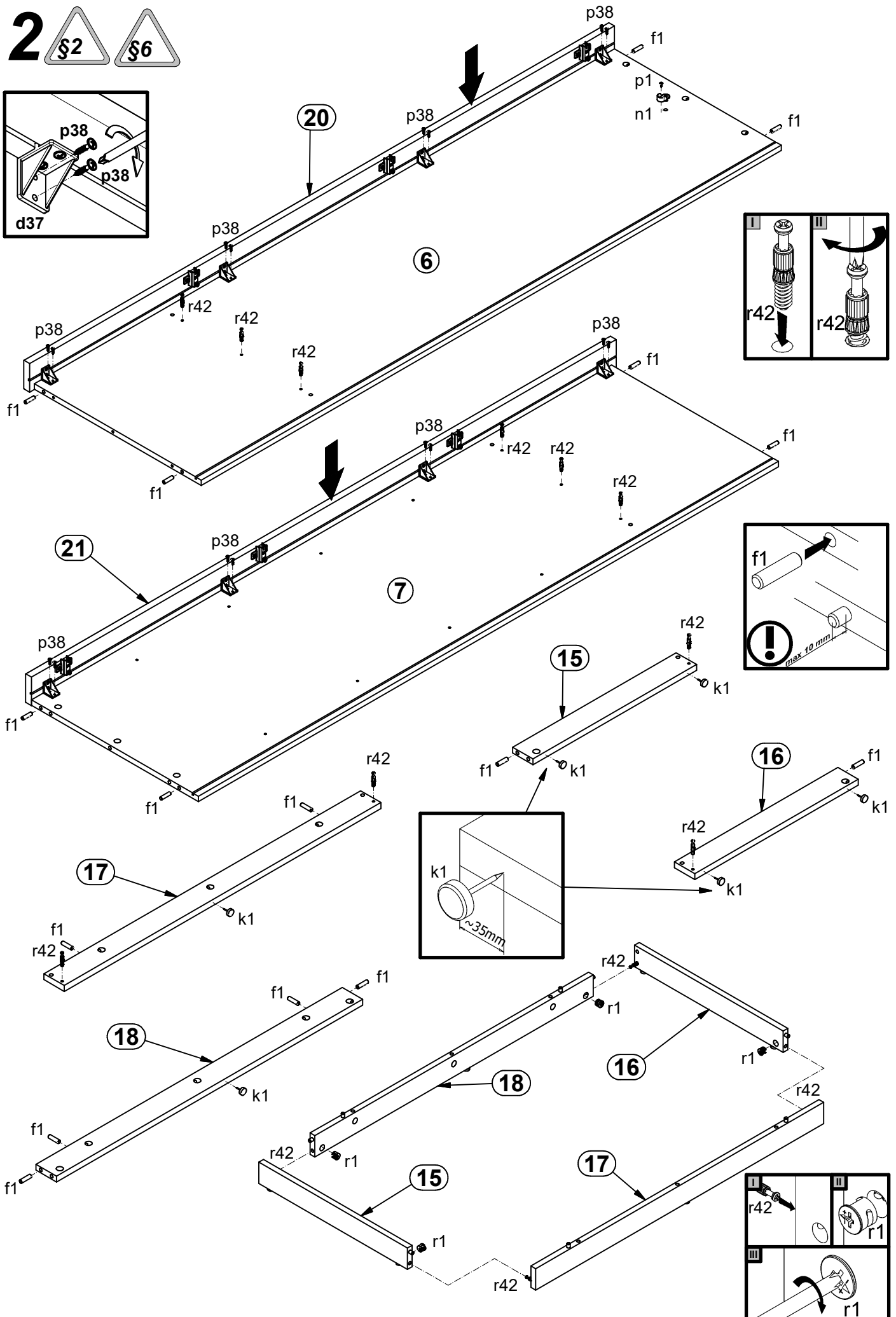
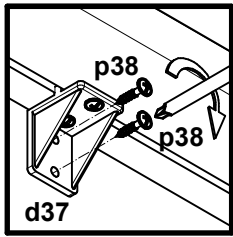
A	B	C	D	A	B	C	D		
1	S467-0020	836	235	3/4	17	S467-4028	932	60	3/4
2	S467-0021	836	160	3/4	18	S467-4029	901	60	3/4
3	S467-0022	836	160	3/4	19	S467-4030	842	60	3/4
4	S467-0023	1465	416	4/4	20	S467-5016	1892	80	1/4
5	S467-0024	1465	416	4/4	21	S467-5017	1892	80	1/4
6	S467-1017	1877	540	1/4	22	S467-9008	803	507	3/4
7	S467-1018	1877	540	1/4	23	S467-9009	979	422	3/4
8	S467-1019	409	520	2/4	24	S467-9303	1465	979	4/4
9	S467-1020	409	520	2/4	25	ZK3-5105	792	167	3/4
10	S467-1021	1453	500	4/4	26	ZK3-5106	792	97	3/4
11	S467-2007	1001	560	3/4	27	ZK4-509	500	180	2/4
12	S467-2008	1001	540	3/4	28	ZK4-510	500	180	2/4
13	S467-3003	969	520	3/4	29	ZK4-529	500	110	2/4
14	S467-3004	476	490	2/4	30	ZK4-530	500	110	2/4
15	S467-4026	481	60	3/4	31	dr-472	472	22	2/4
16	S467-4027	481	60	3/4					



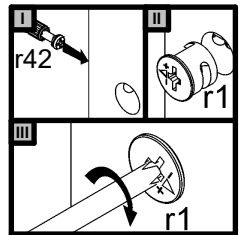
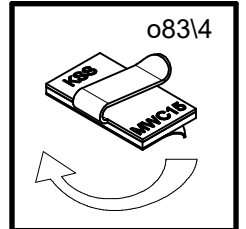
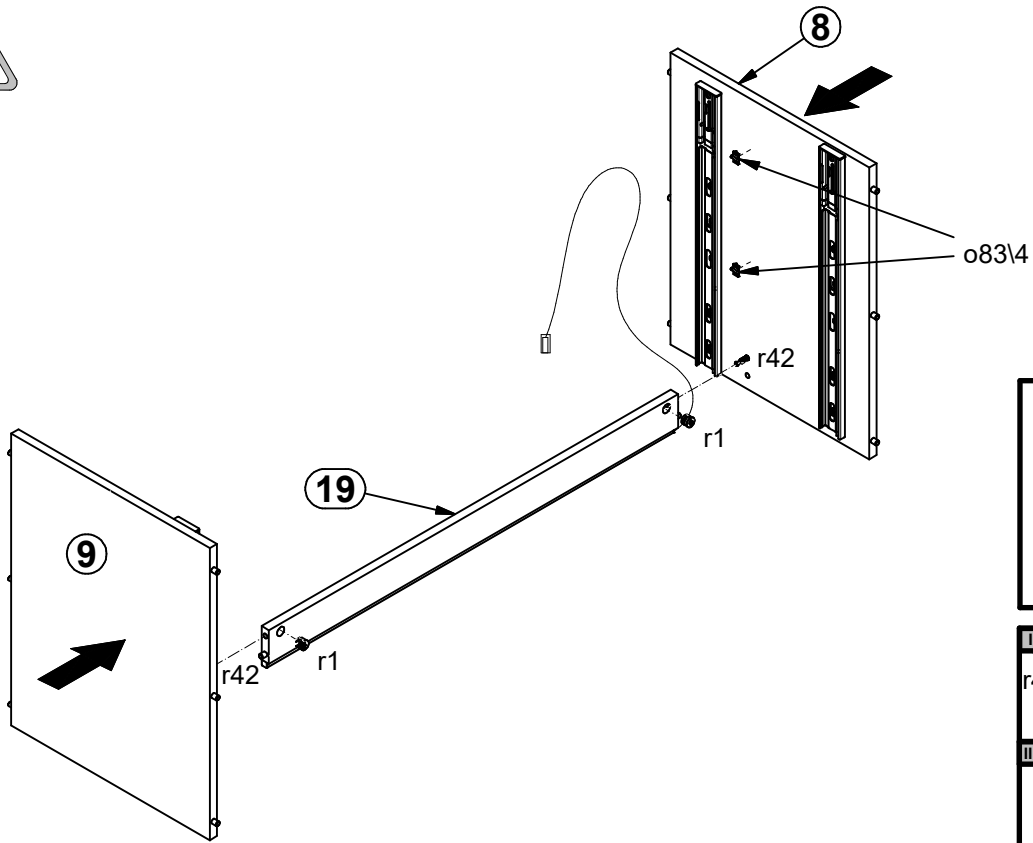
1x n26	1x Ø3.5x16 mm p38	6x a132	2x a133	6x b43	1x 64 mm c485	16x Ø5x17 mm d1	2x Ø6.3x15 mm d4	8x d37	12x Ø7x50 mm e1	12x Ø6.3x13 mm e2
38x Ø8x30 mm f1	4x Ø6x30 mm f9	8x Ø6.5x40 mm f25	6x k1	14x l2	2x h=22mm n1	5x 22x9.5x20.7 mm n108	4x Ø3.5x13 mm p1	2x Ø3.5x16 mm p25	2x p35	44x Ø3.5x16 mm p38
2x Ø3.5x10 mm p35	12x Ø3.5x15 mm p51	13x Ø2.9x16 mm p55	8x Ø4x28 mm p94	24x Ø3.5x12 mm p140	24x Ø15x12 mm #16 r1	8x Ø12x10.5 mm #12 r15	32x 20/11 r42	2x t34	4x L=500 mm w231\1	4x L=500 mm w231\2
1x 500 mm t34	12x Ø 20mm s68	1x 4 mm z1	1x 6 W o70\9	1x 10x10 mm L=835 mm o77\37	2x 10x18 mm o83\4					



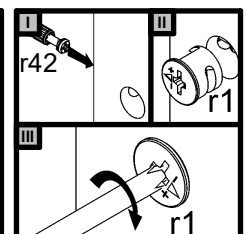
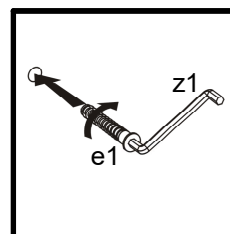
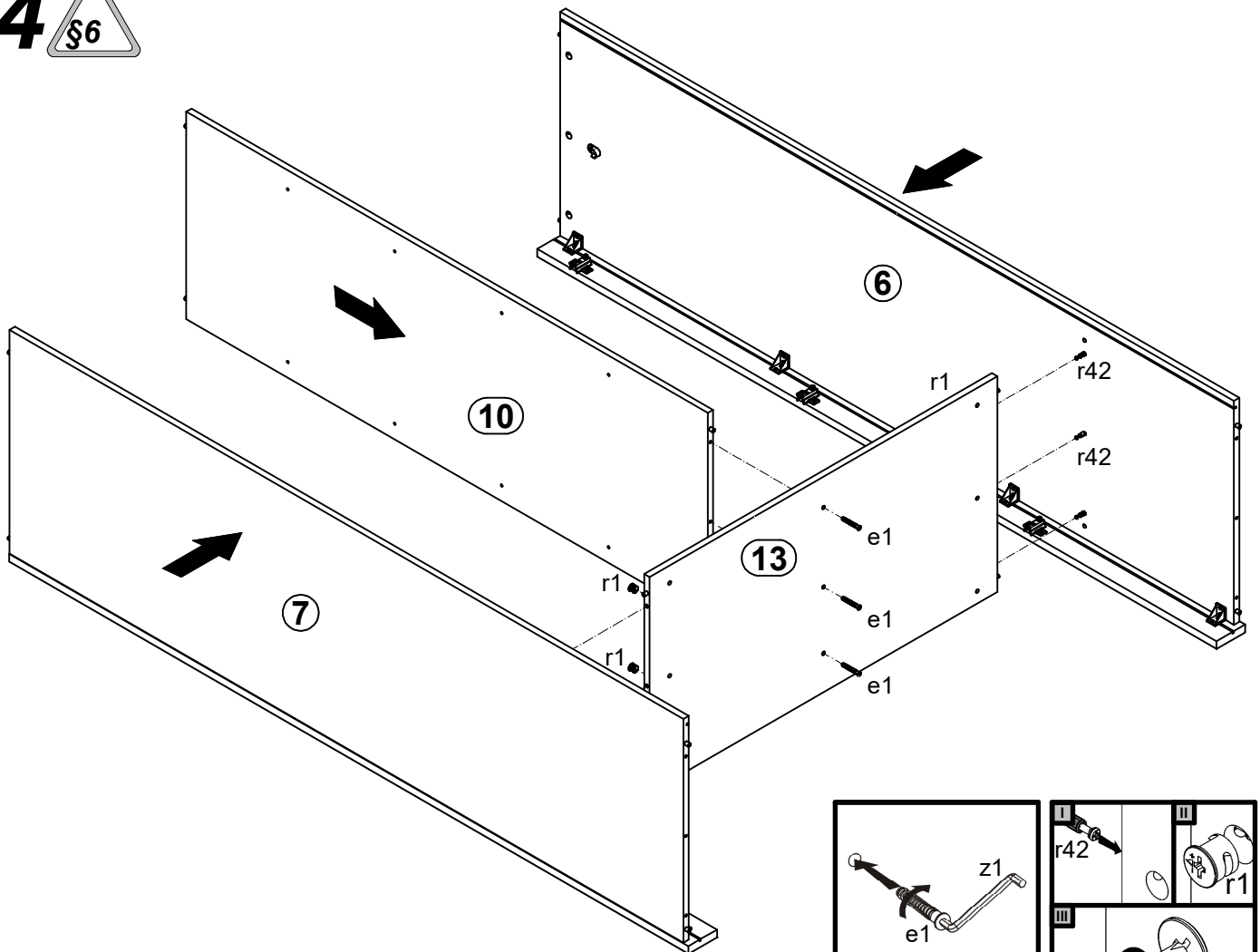
2  §2  §6

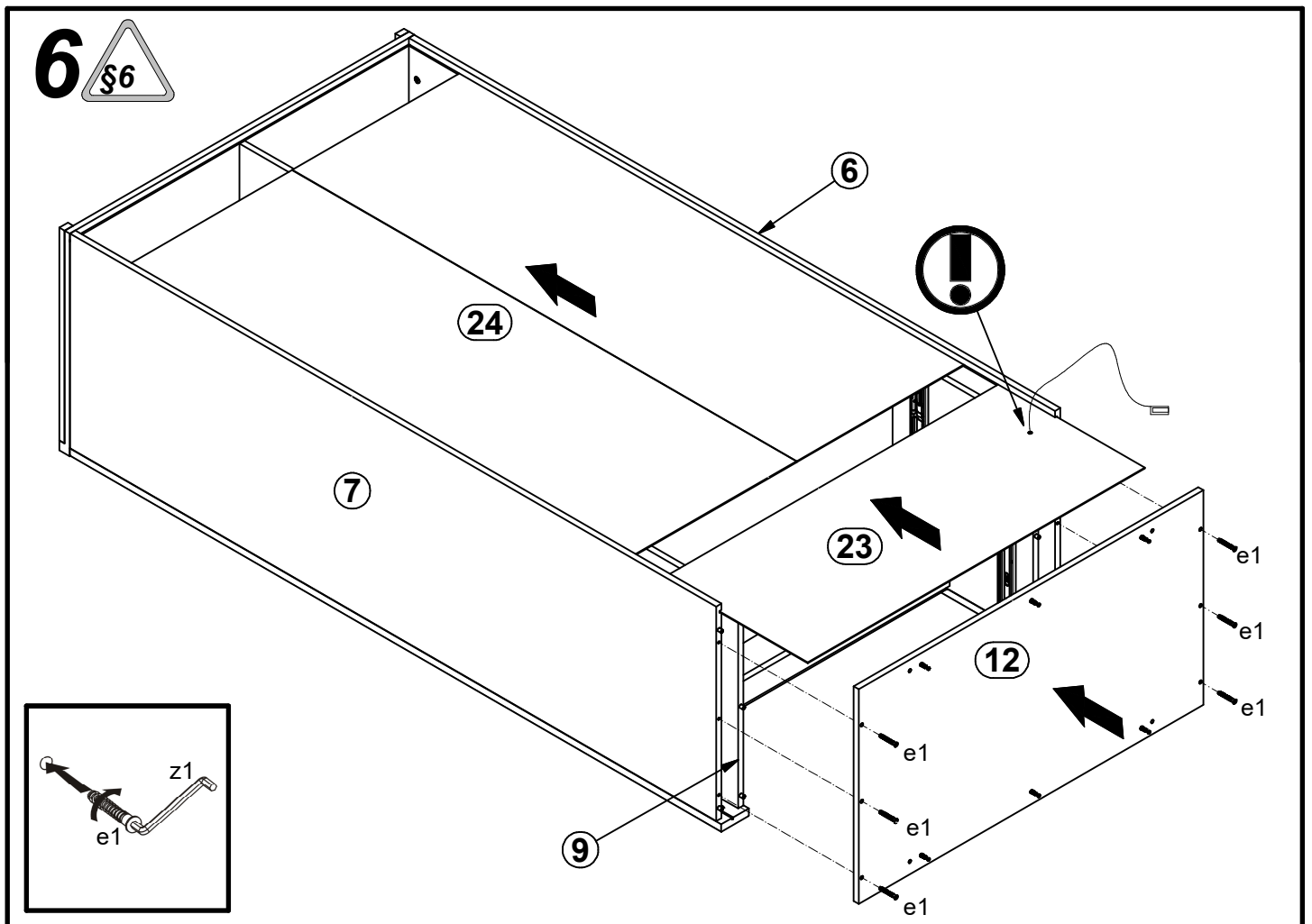
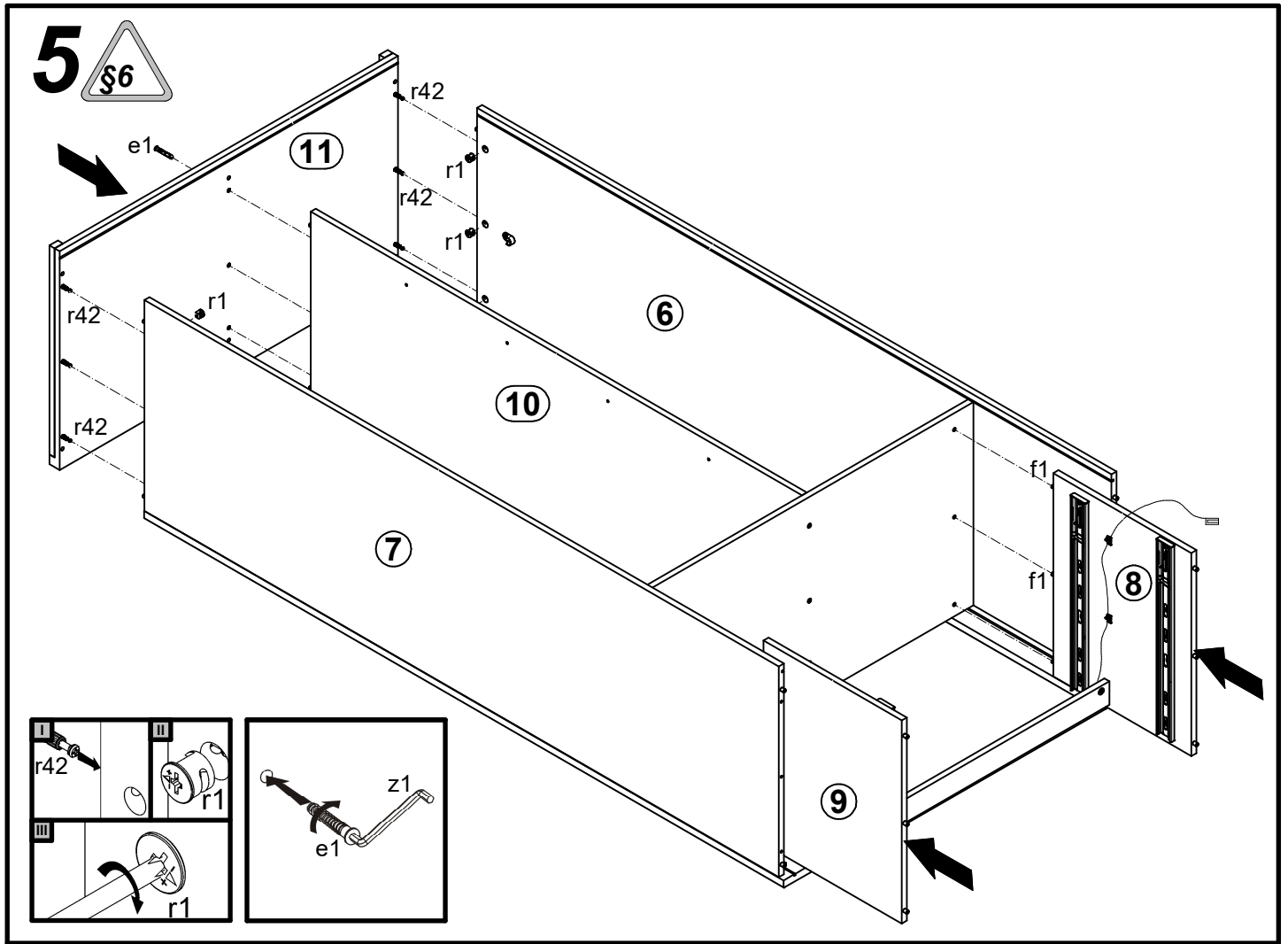


3 §6

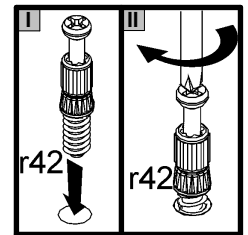
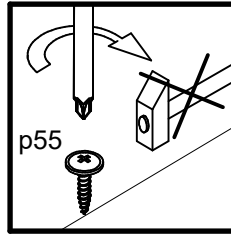
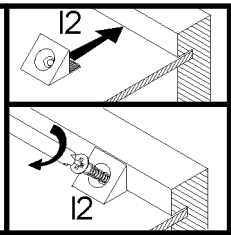
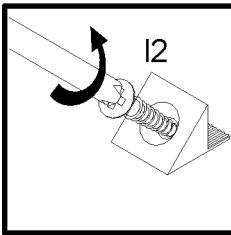
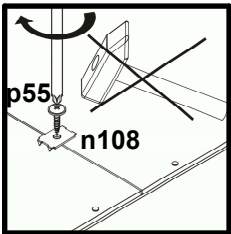
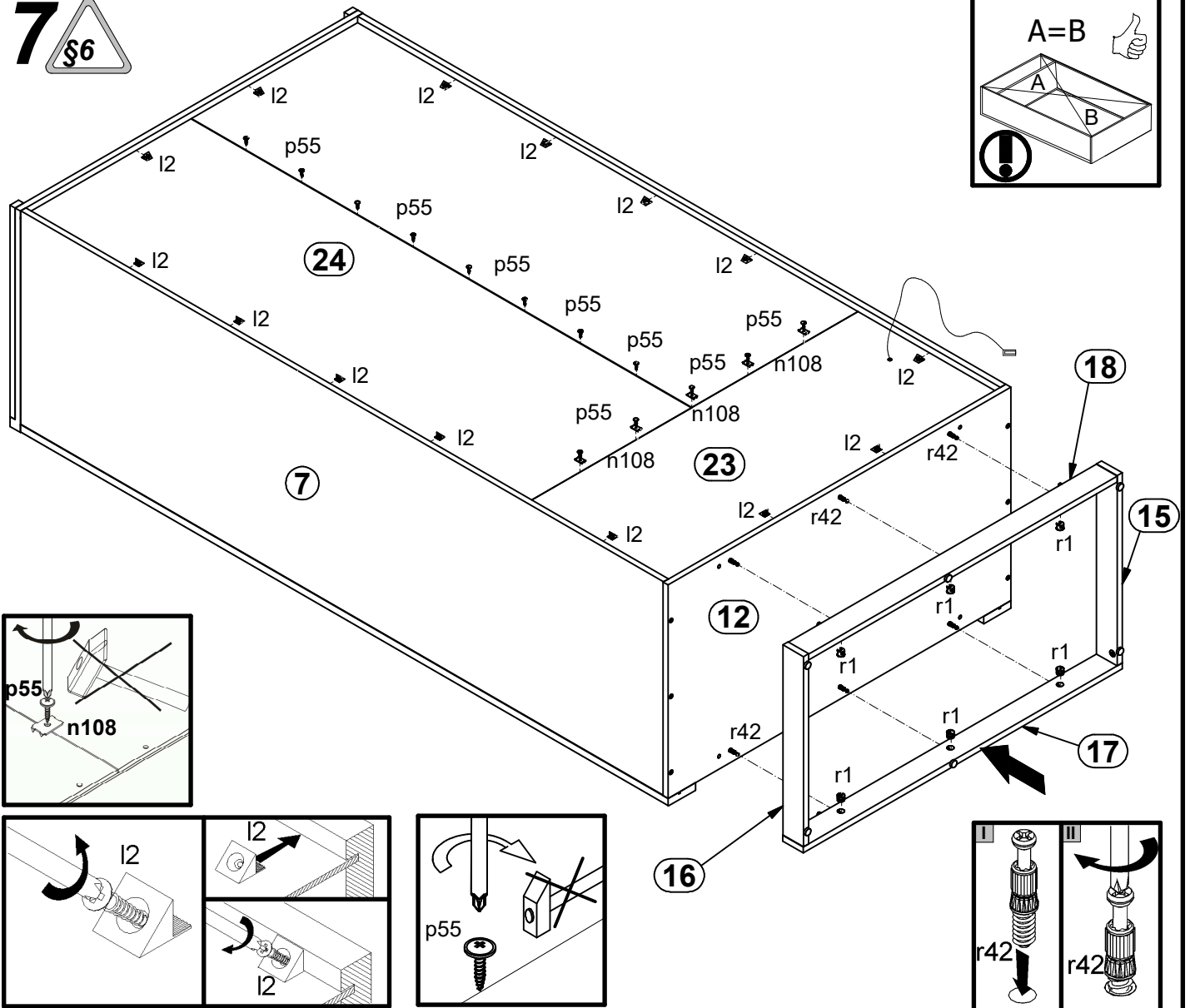
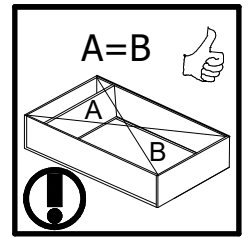


4 §6

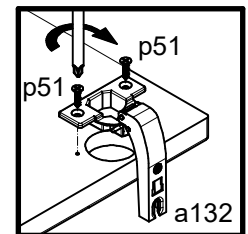
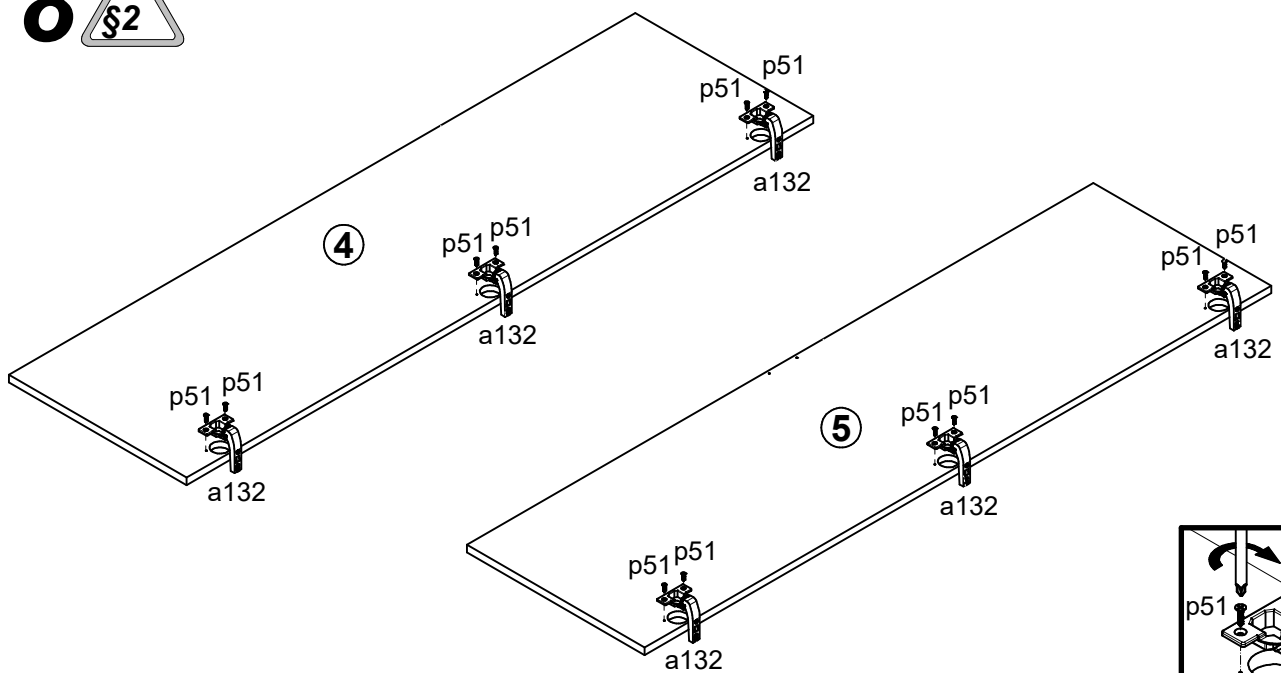




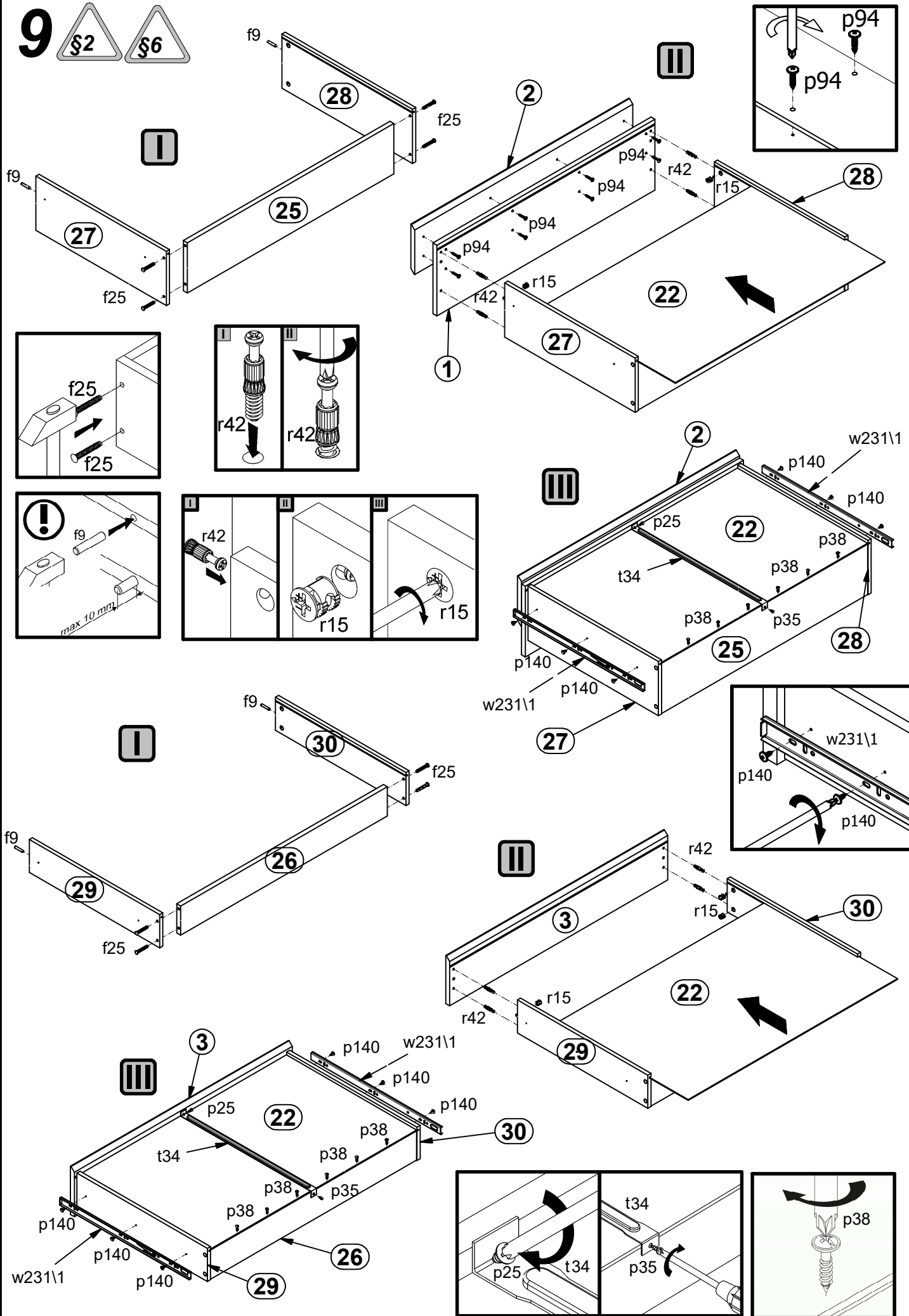
7 §6



8 §2



9 §2 §6



10

