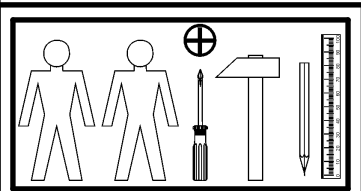
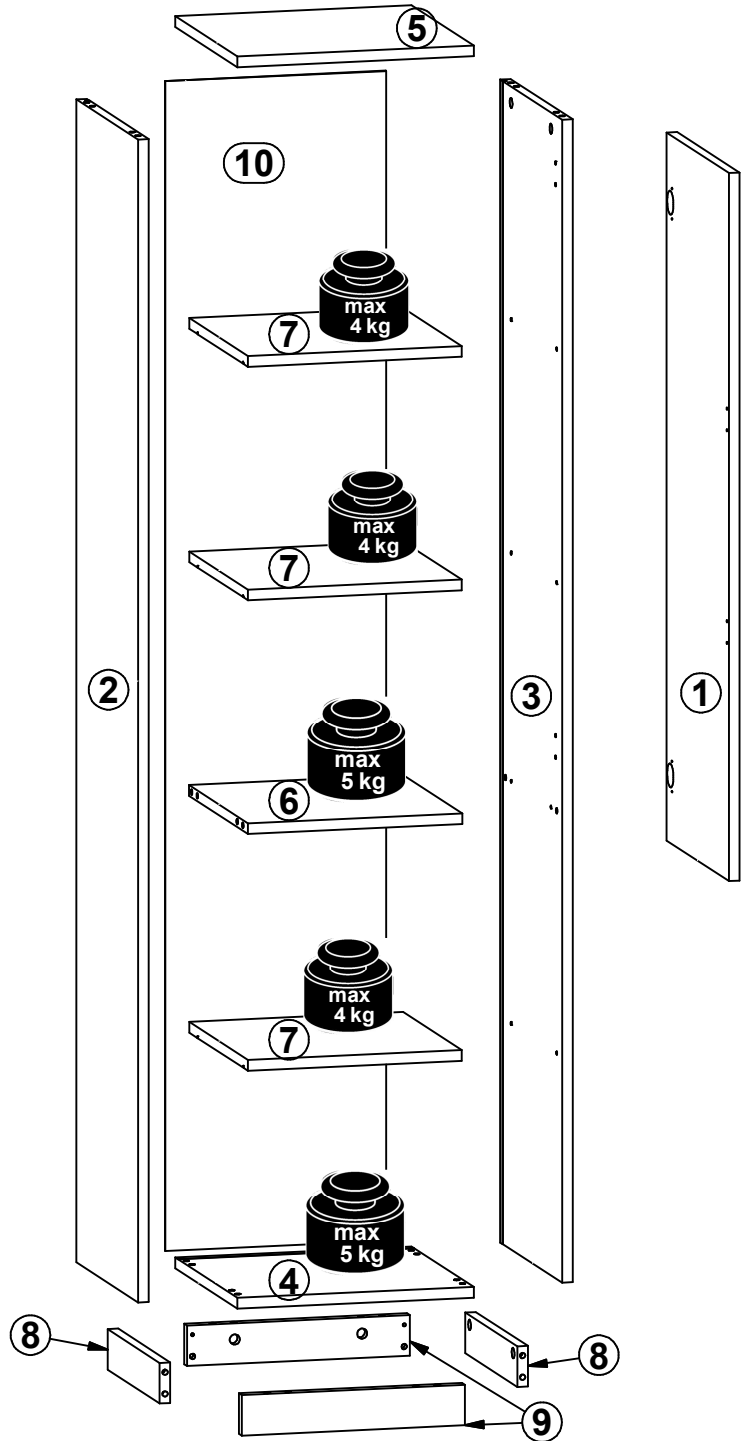
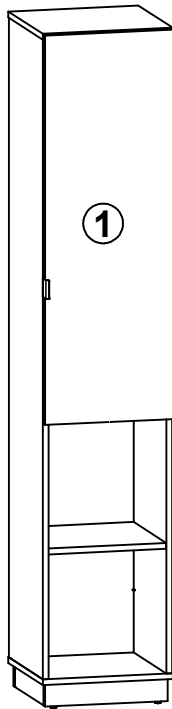
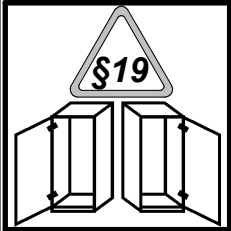
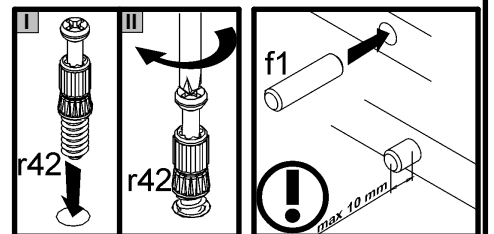
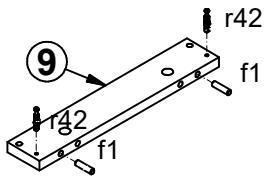
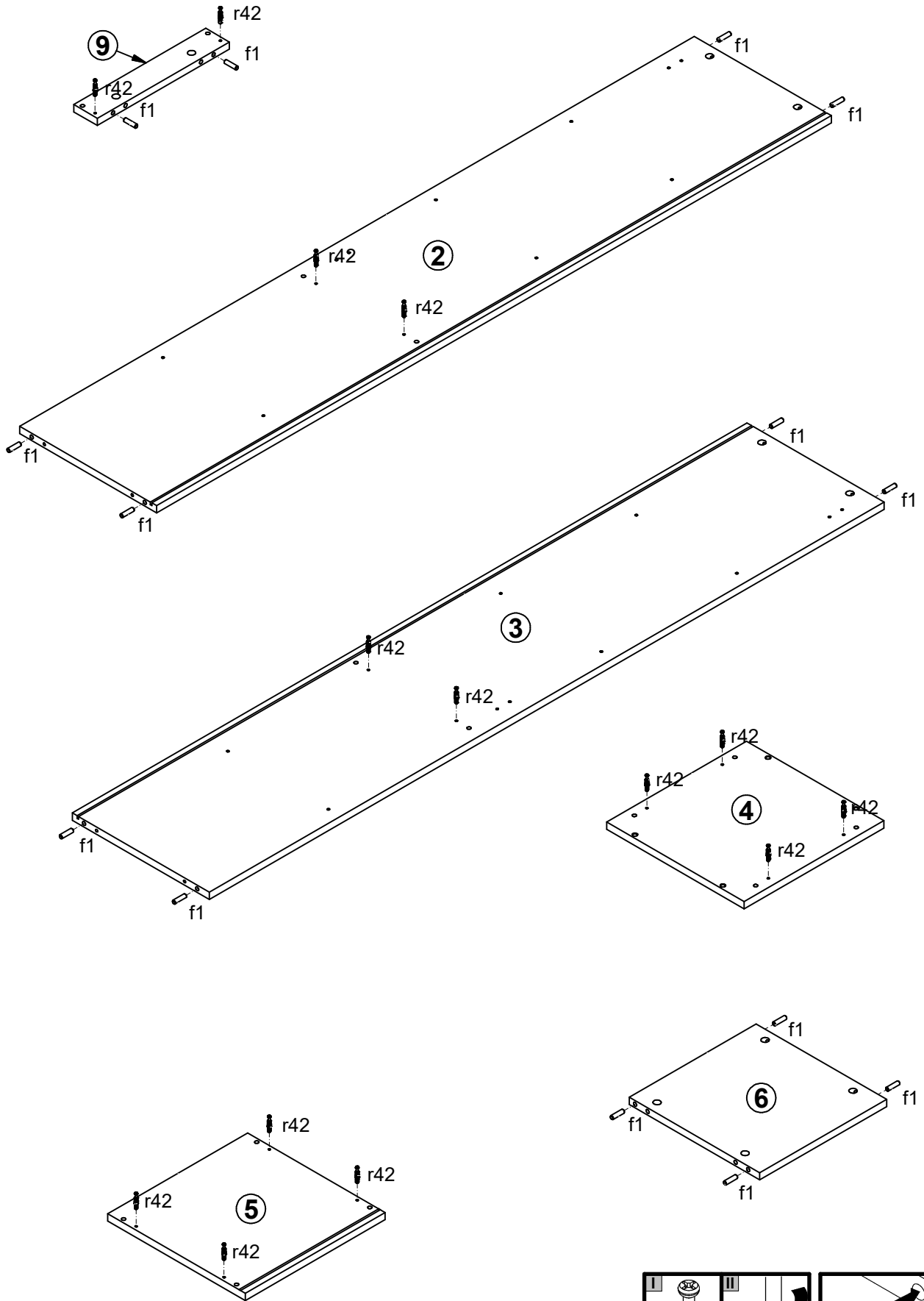


A	B	C	D
1	S406-0004	1046	352 2/3
2	S406-1009	1718	349 1/3
3	S406-1010	1718	349 1/3
4	S406-2005	356	350 1/3
5	S406-2006	356	350 1/3
6	S406-3011	323	332 1/3
7	S406-3012	322	330 1/3
8	S406-4007	293	60 1/3
9	S406-4011	336	60 1/3
10	S406-9004	1728	333 1/3

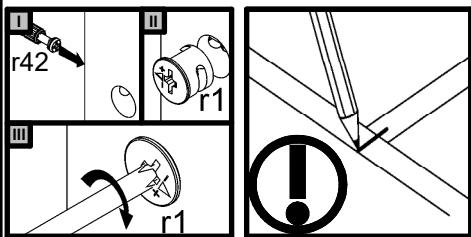
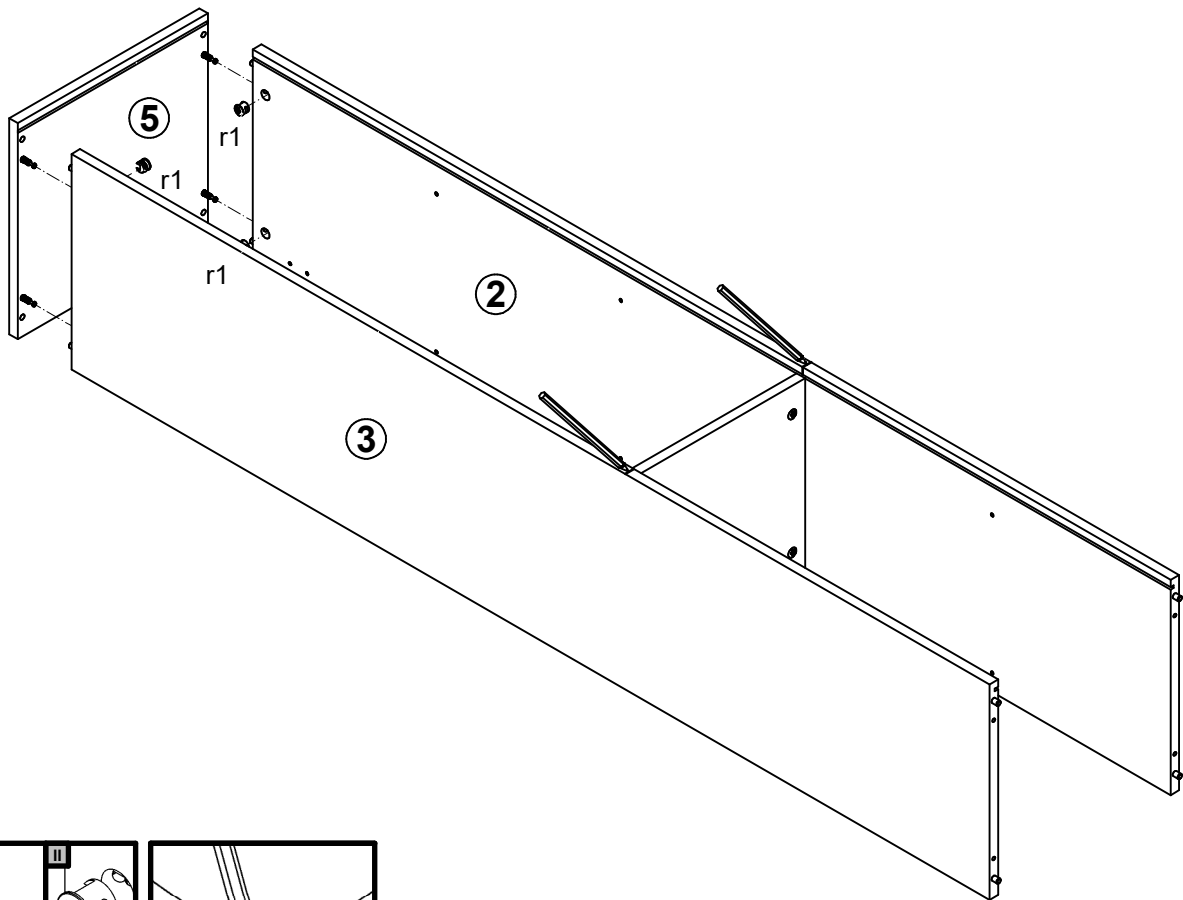
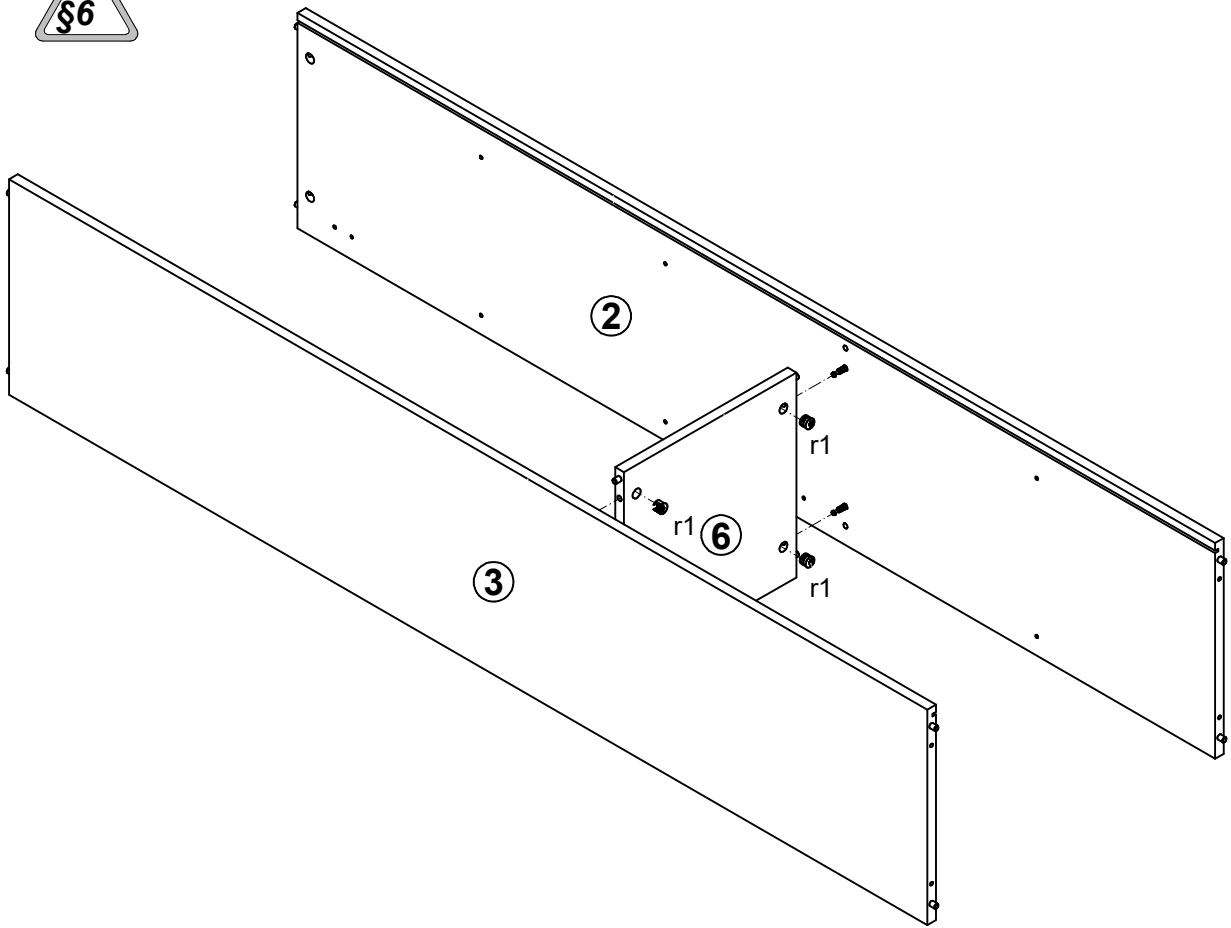


1x  a133	2x  a158	2x  b43	1x  c478	12x  d1	4x  e1	4x  e2	20x  f1	4x  k1
5x  l1	12x  l2	2x  o21	4x  p51	2x  p133	16x  r1	16x  r42	4x  s2	1x  z1
							1x  n26/1	1x  p38

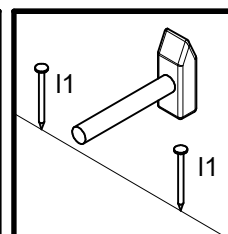
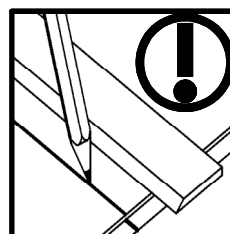
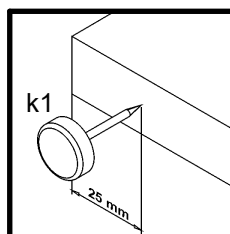
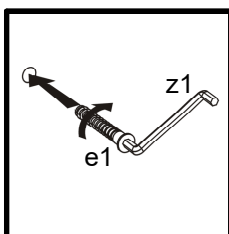
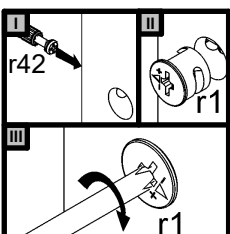
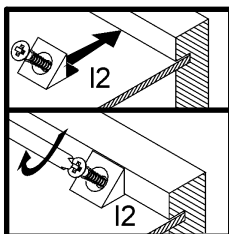
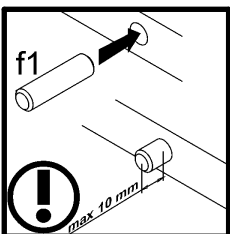
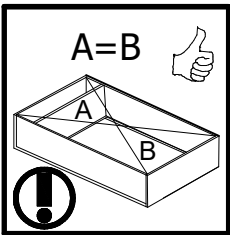
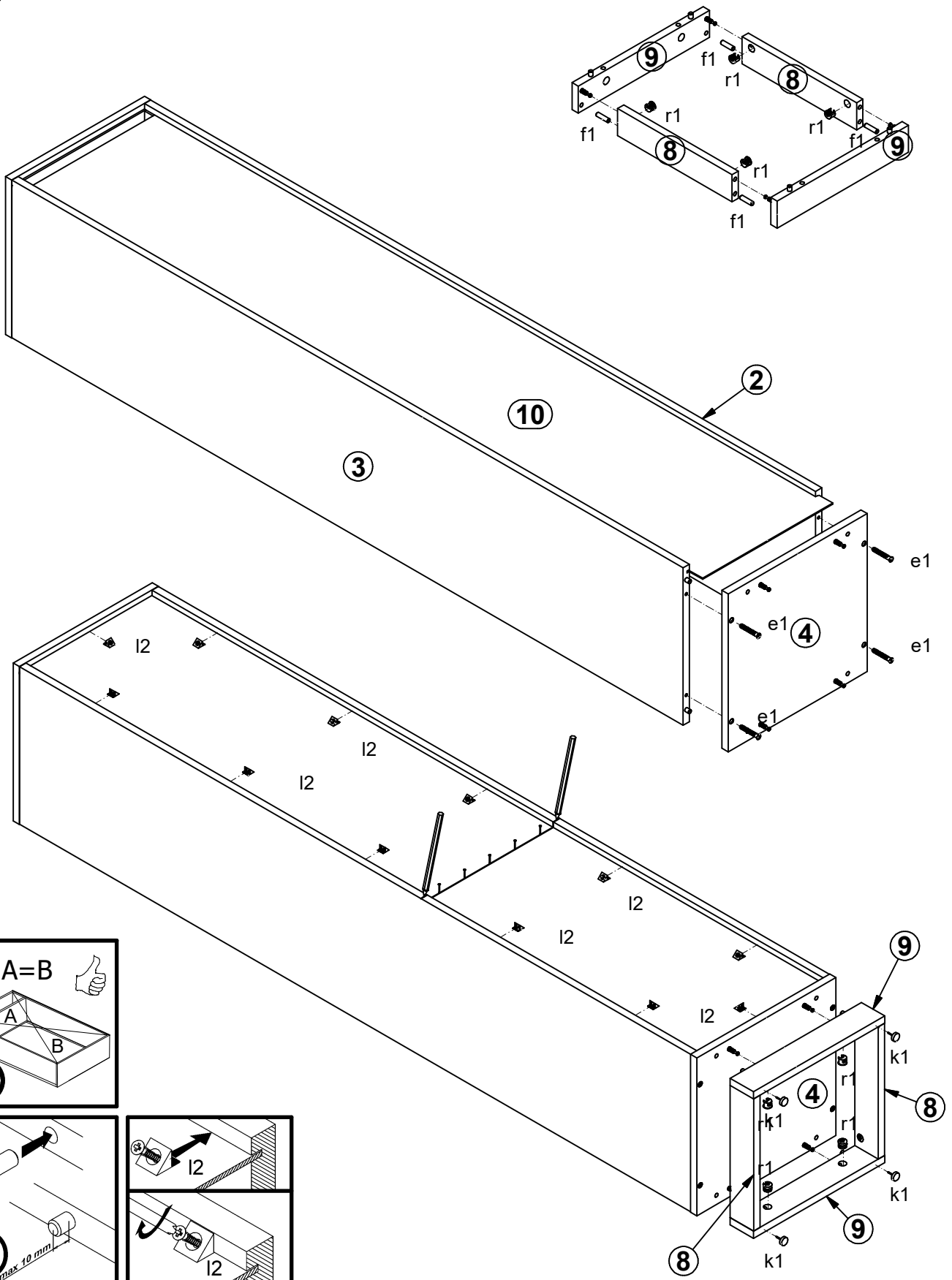
1 



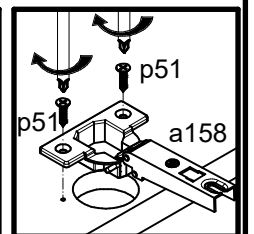
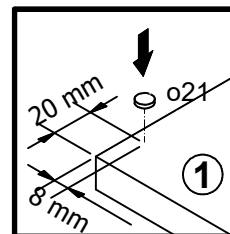
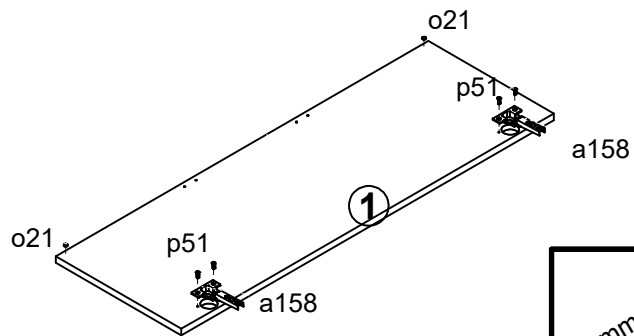
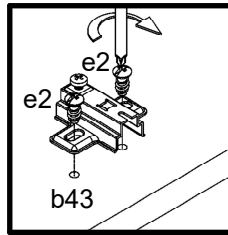
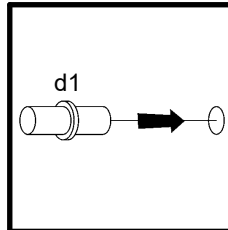
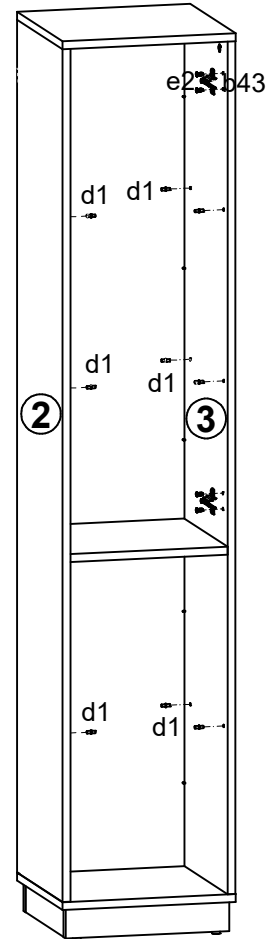
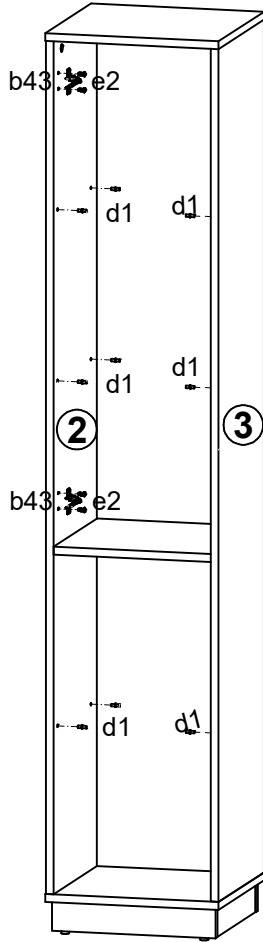
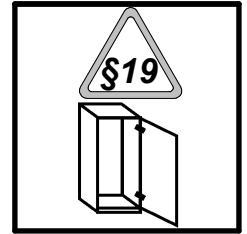
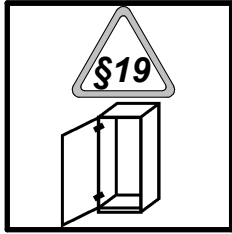
# 2



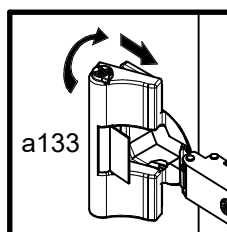
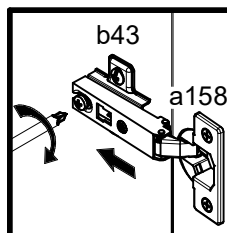
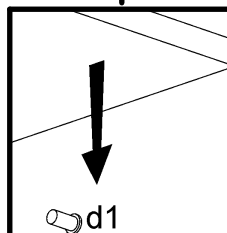
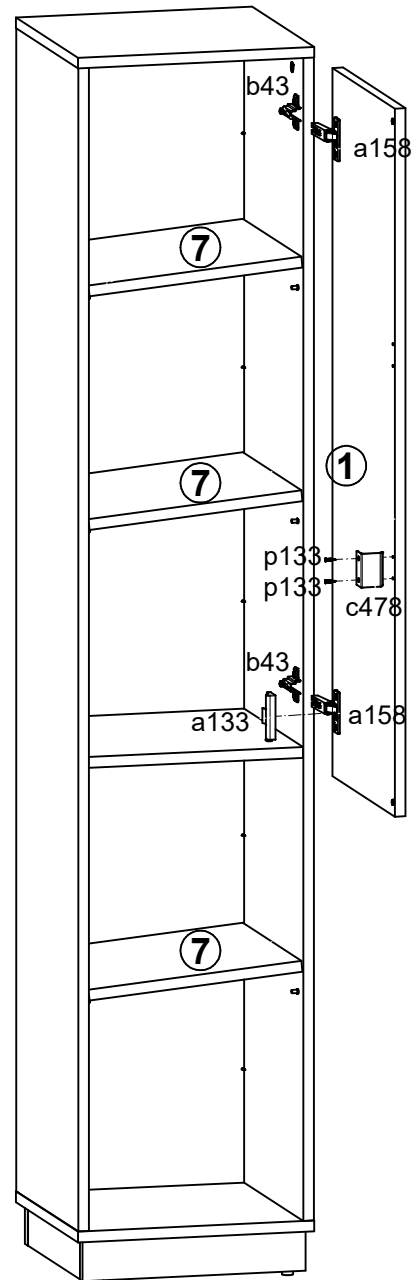
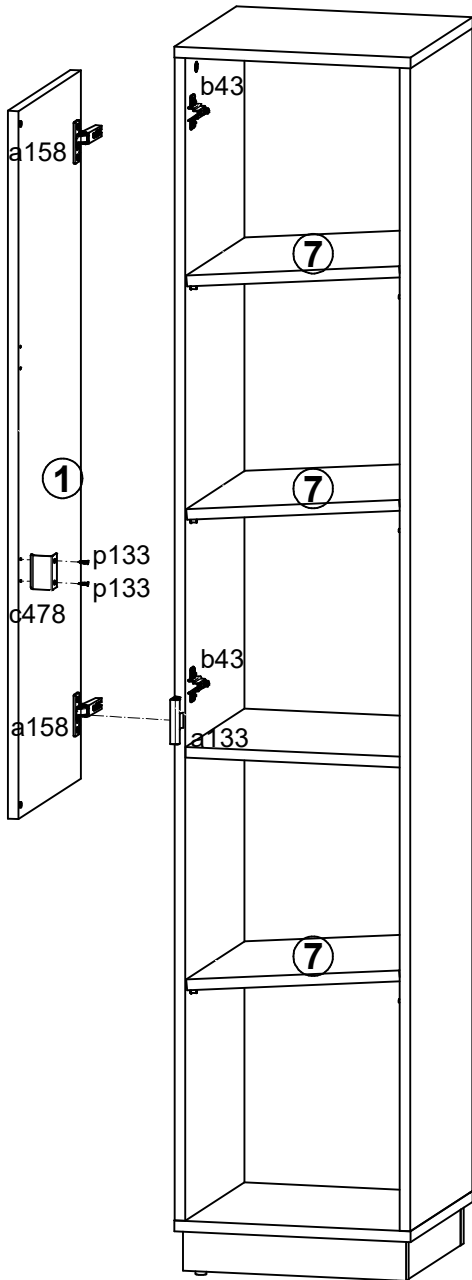
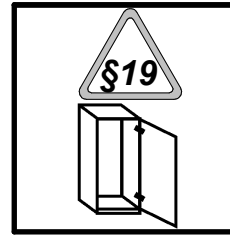
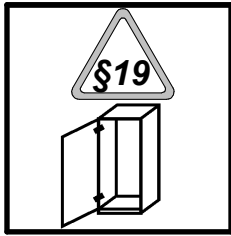
# 3



4



# 5



# 6

