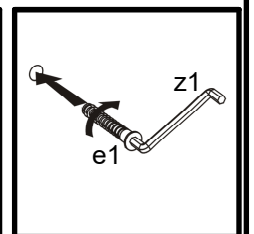
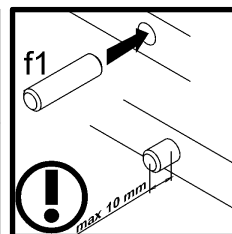
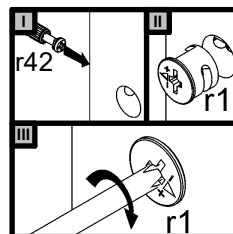
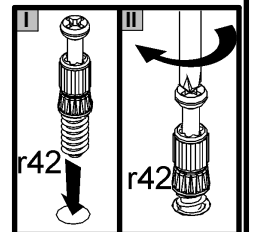
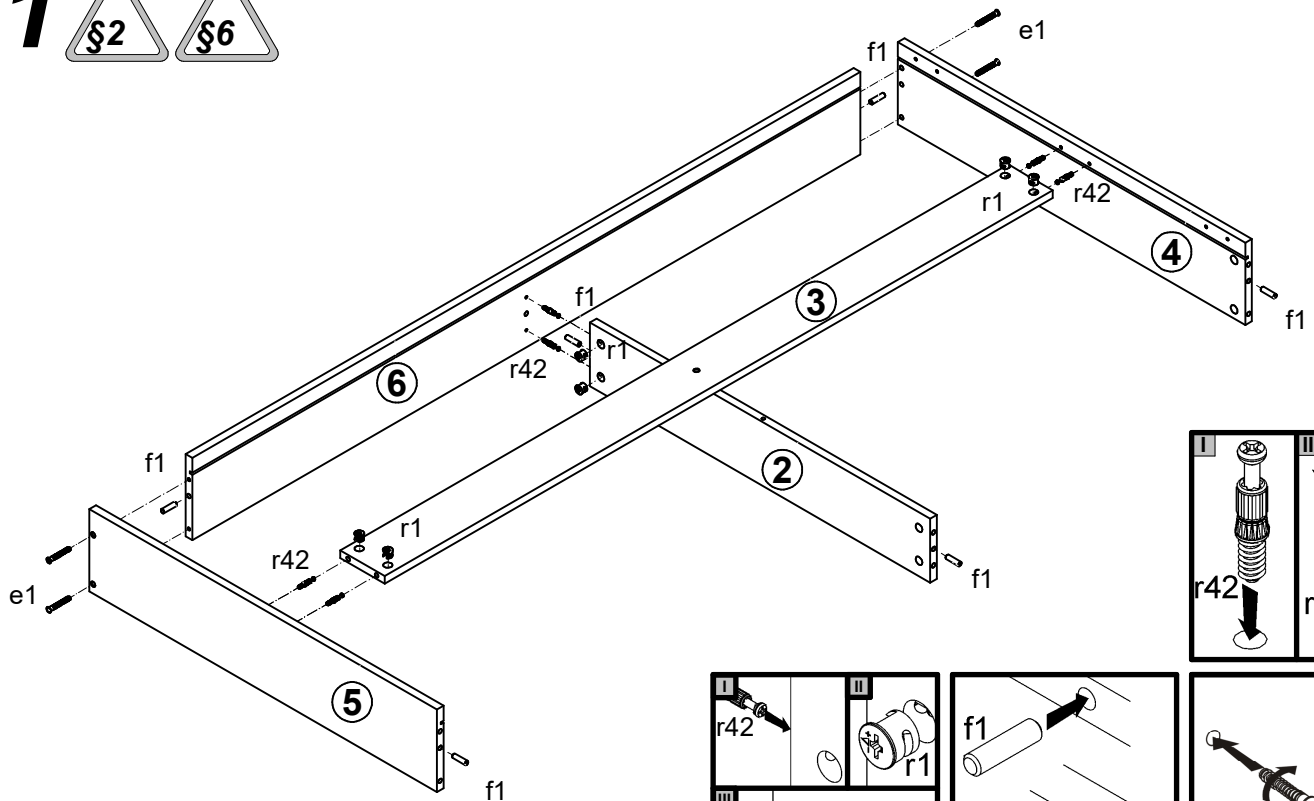
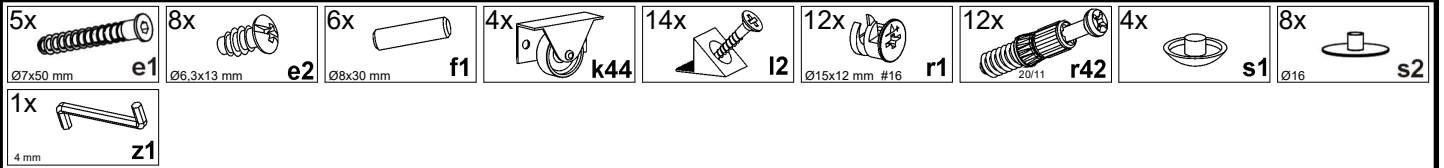
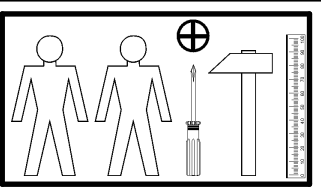
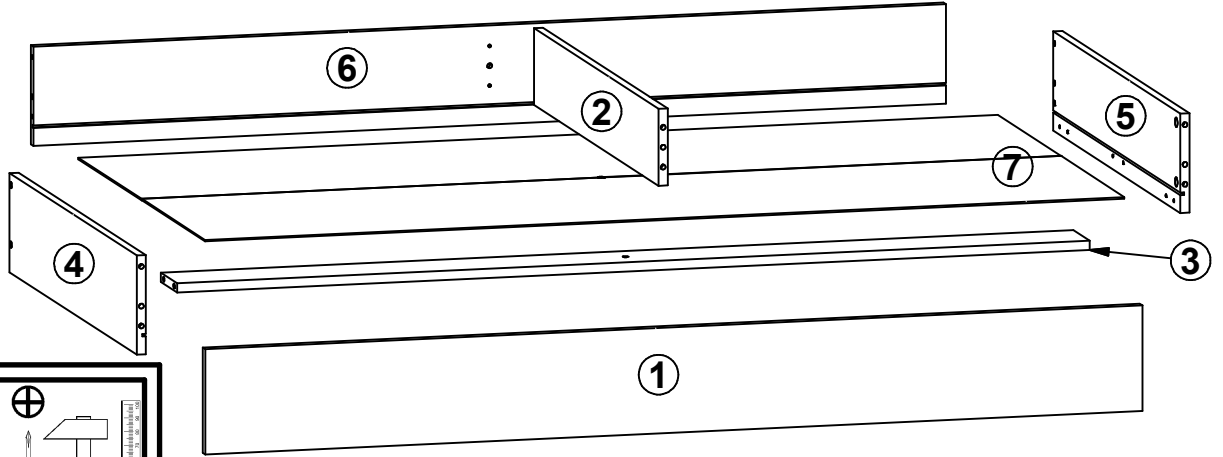
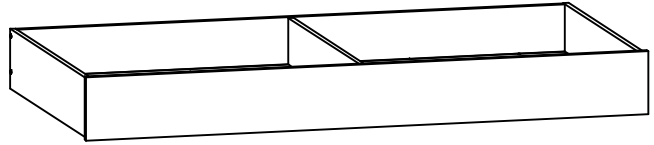


A

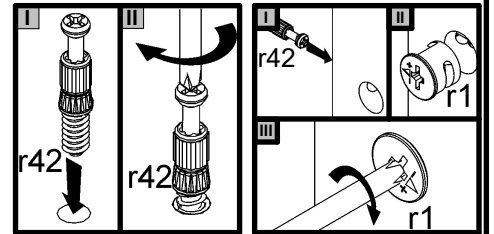
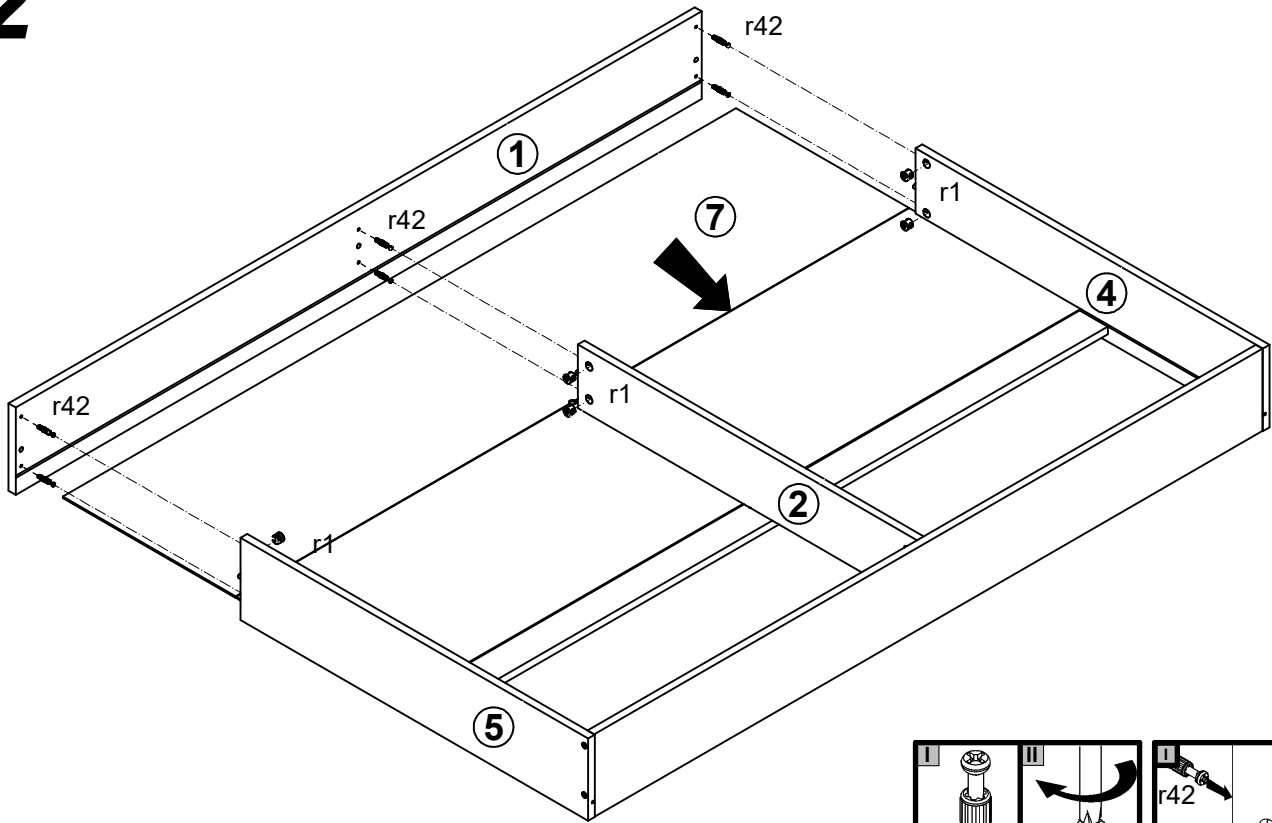
PRINCETON

S406-SZU/154

A	B	C	D	
1	S406-0007	1540	170	1/1
2	ZZ1-4008	764	124	1/1
3	ZZ1-4007	1500	100	1/1
4	ZZ1-5001	780	160	1/1
5	ZZ1-5002	780	160	1/1
6	ZZ1-5013	1500	160	1/1
7	ZZ1-9305	1511	777	1/1



2



3

