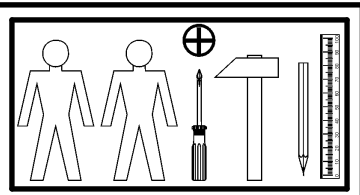
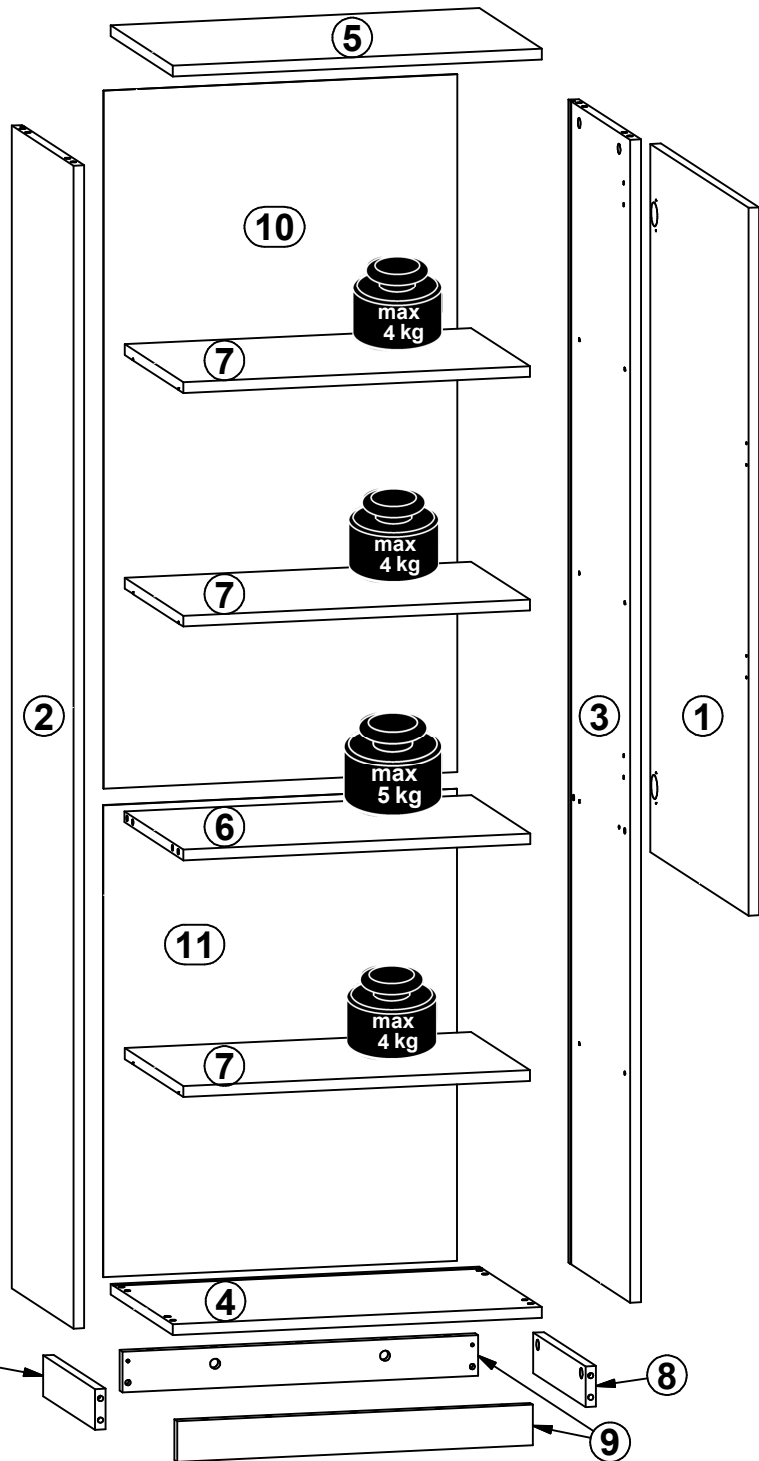
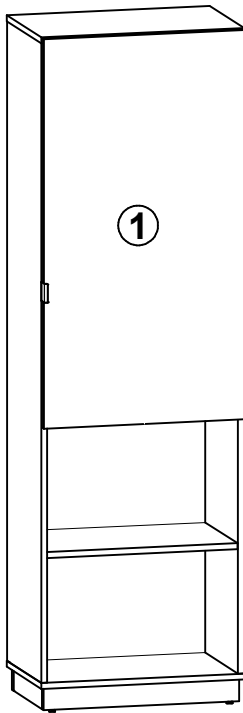
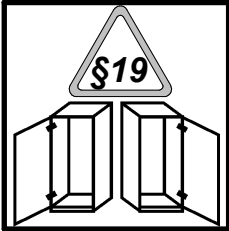
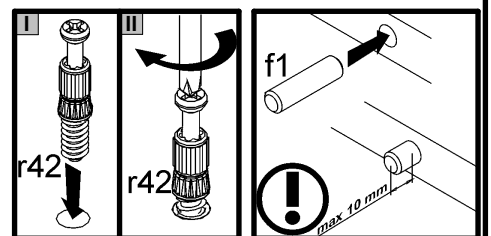
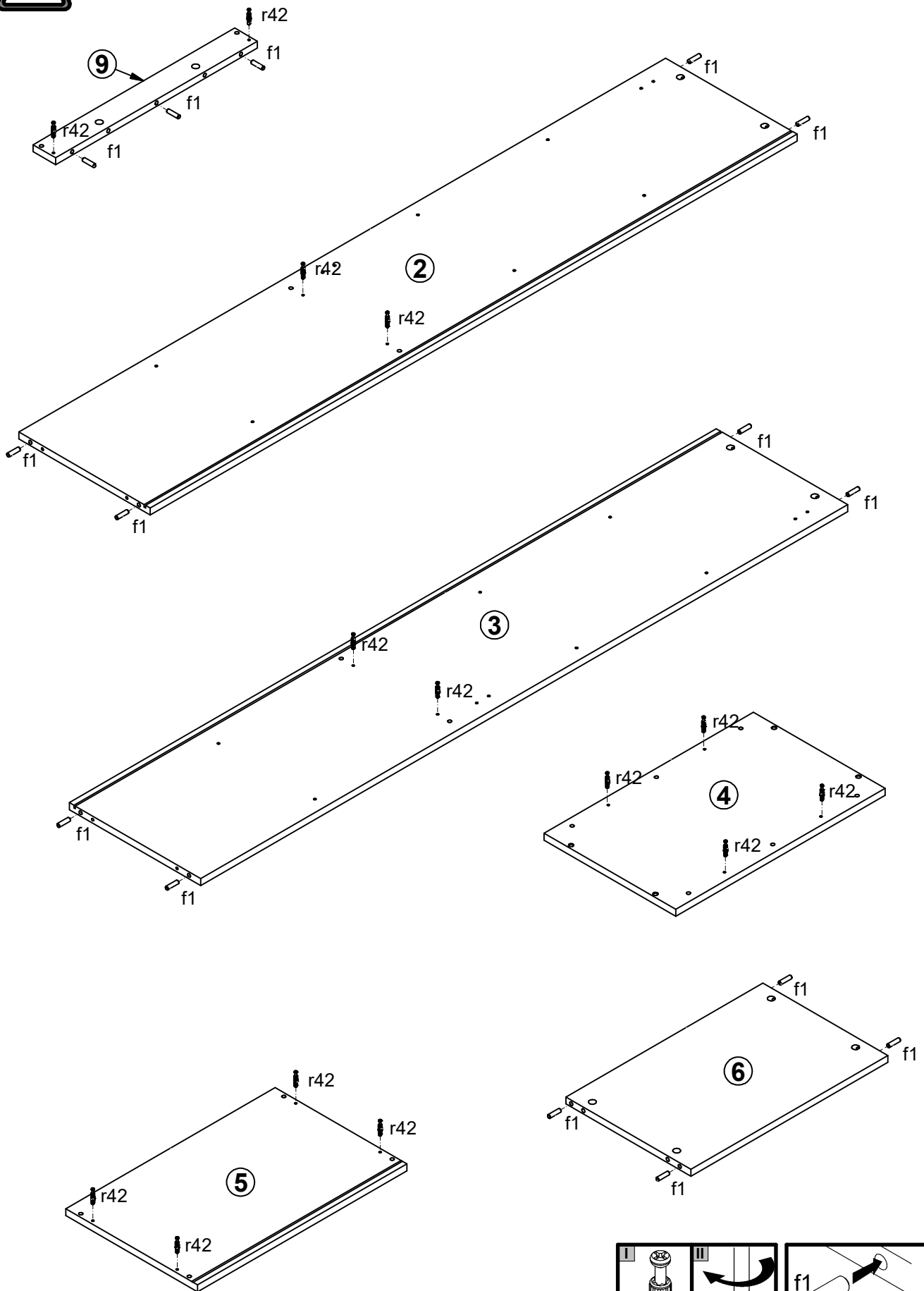


A	B	C	D
1	S406-0003	1046	552 2/3
2	S406-1009	1718	349 1/3
3	S406-1010	1718	349 1/3
4	S406-2002	556	350 1/3
5	S406-2003	556	350 1/3
6	S406-3008	523	332 1/3
7	S406-3009	522	330 1/3
8	S406-4007	293	60 1/3
9	S406-4008	536	60 1/3
10	S406-9003	1031	533 2/3
11	S406-9007	697	533 2/3

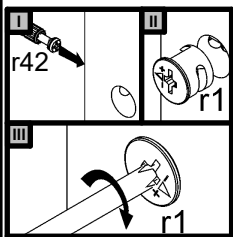
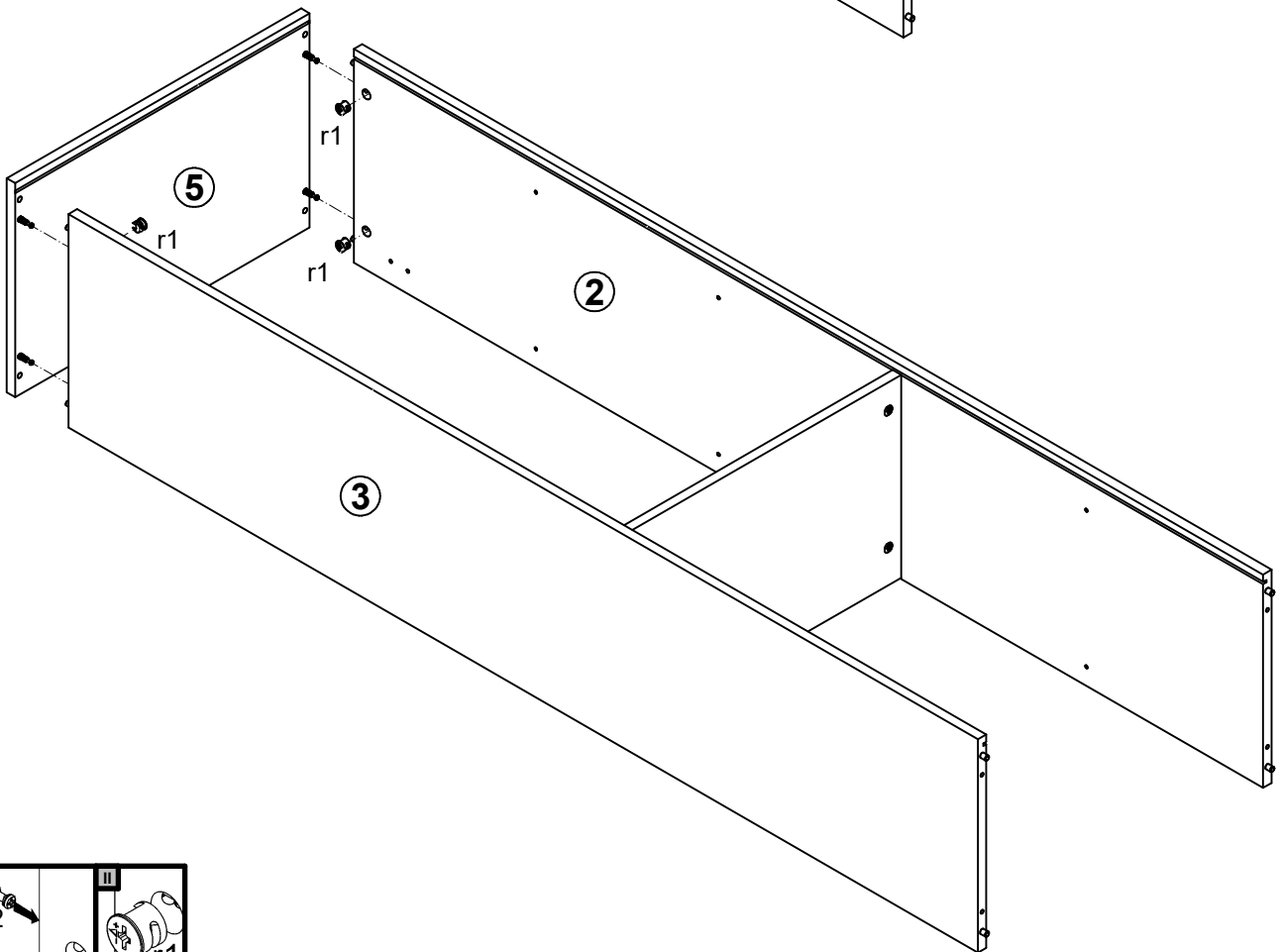
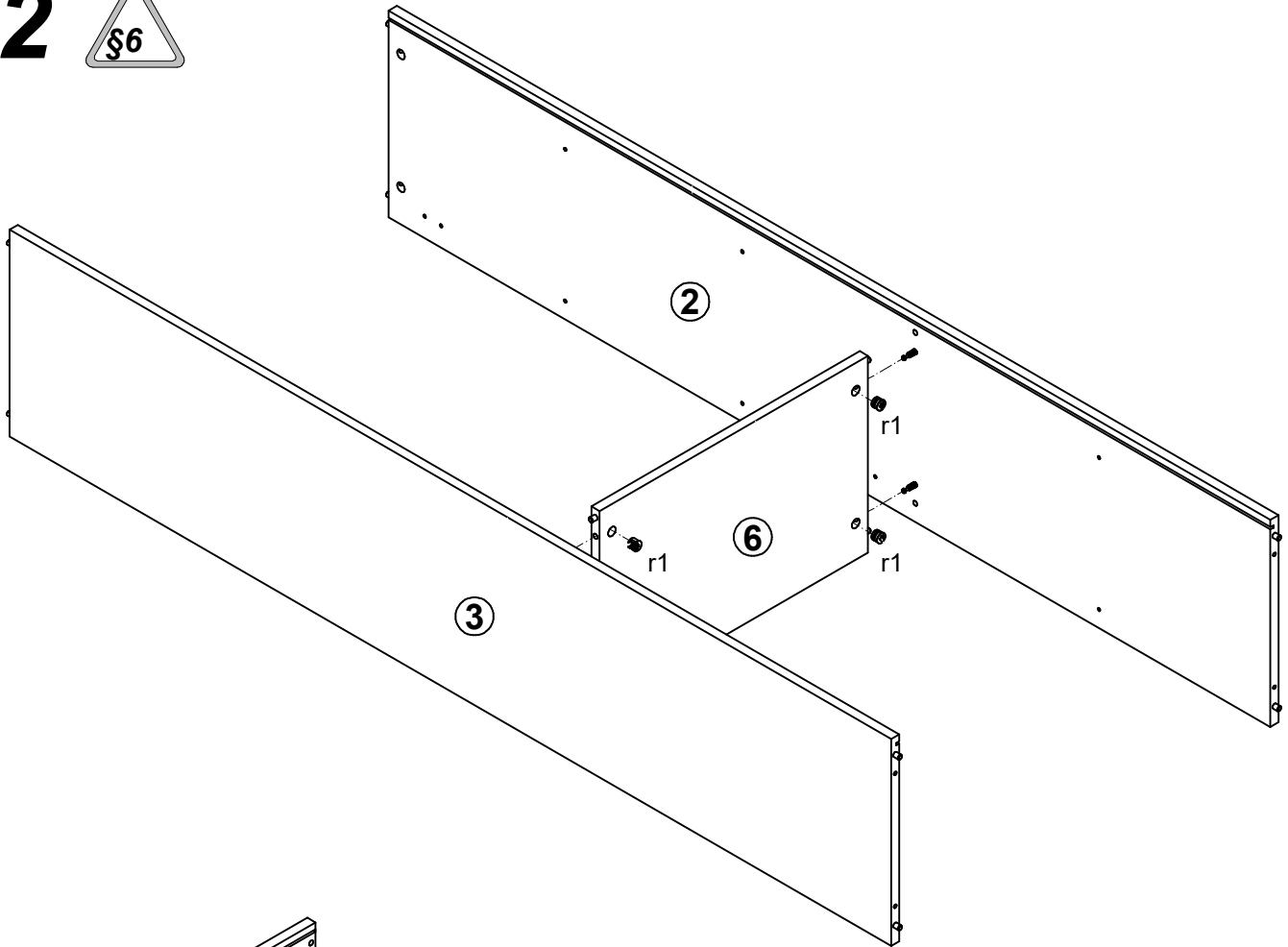


1x a133	2x a158	2x b43	1x c478	12x d1	4x e1	4x e2	22x f1	4x k1	
12x l2	2x n108	2x o21	4x p51	2x p55	2x p133	16x r1	16x r42	4x s2	
1x z1								1x n26/1	1x p38

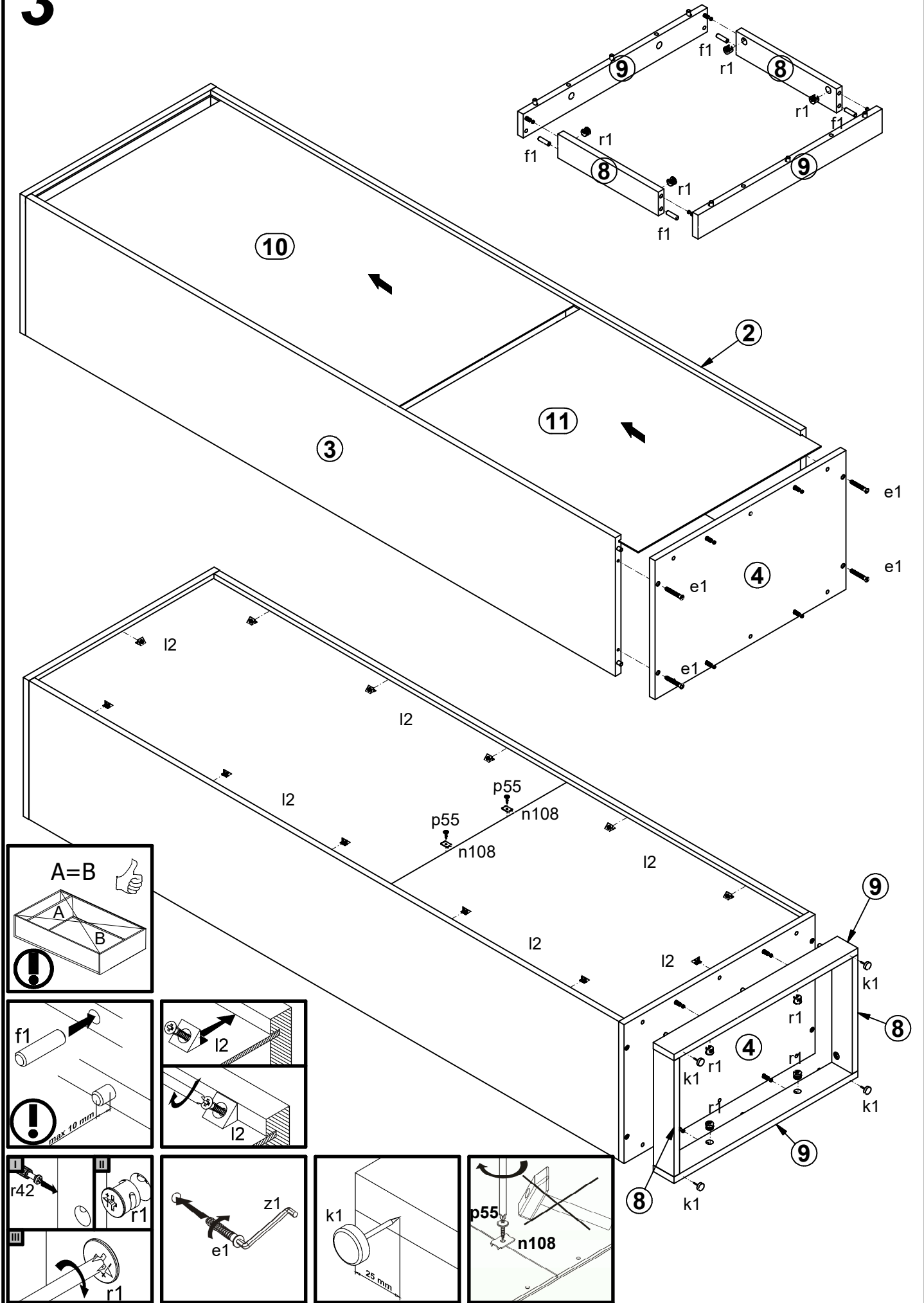
1 



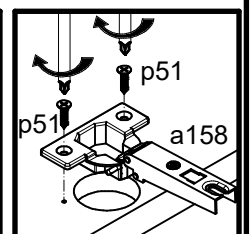
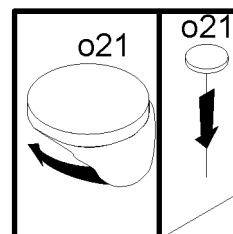
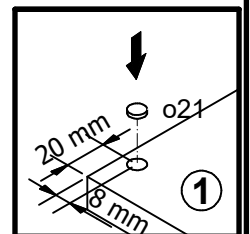
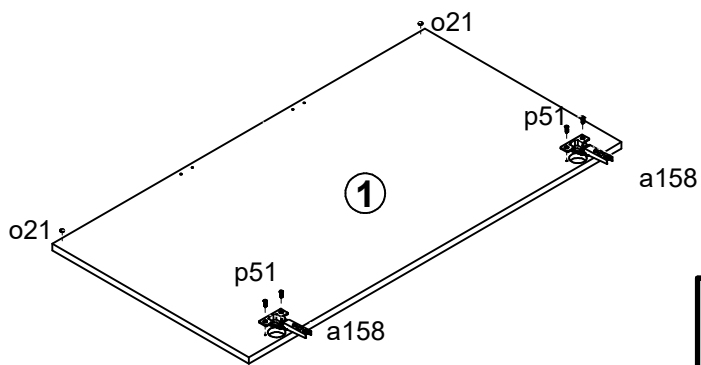
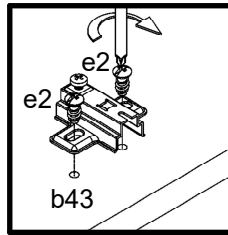
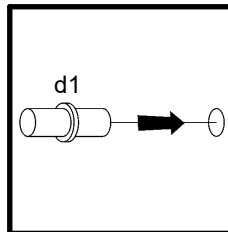
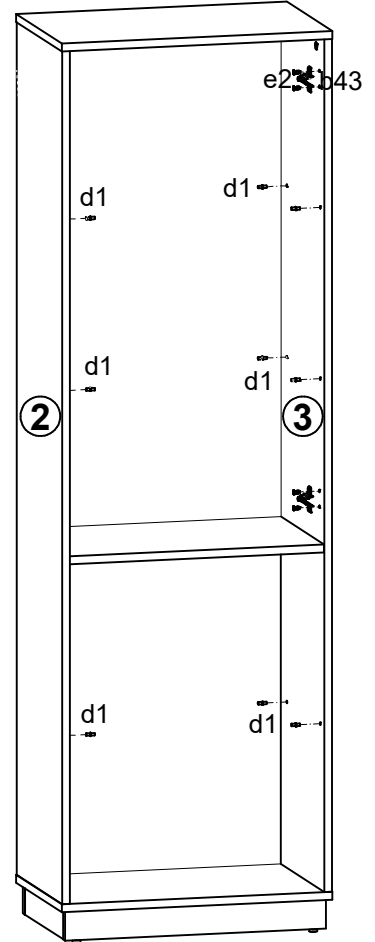
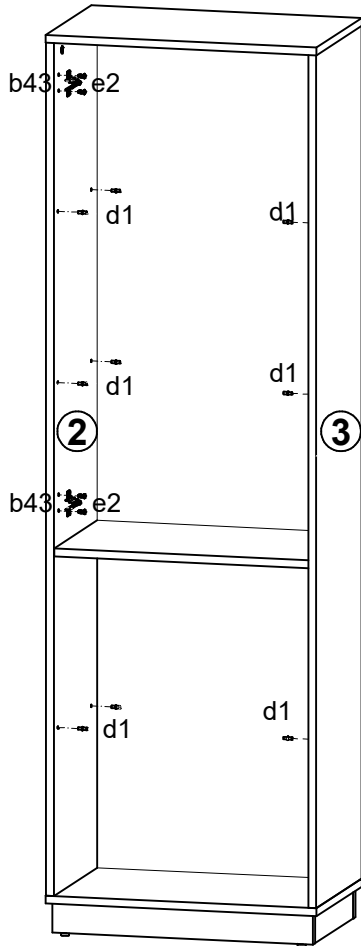
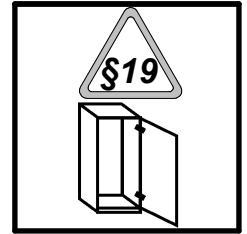
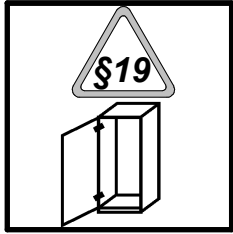
2



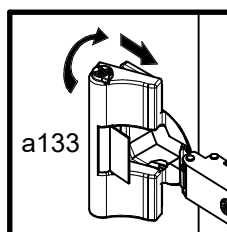
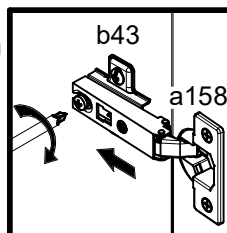
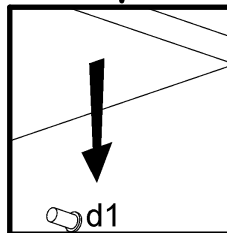
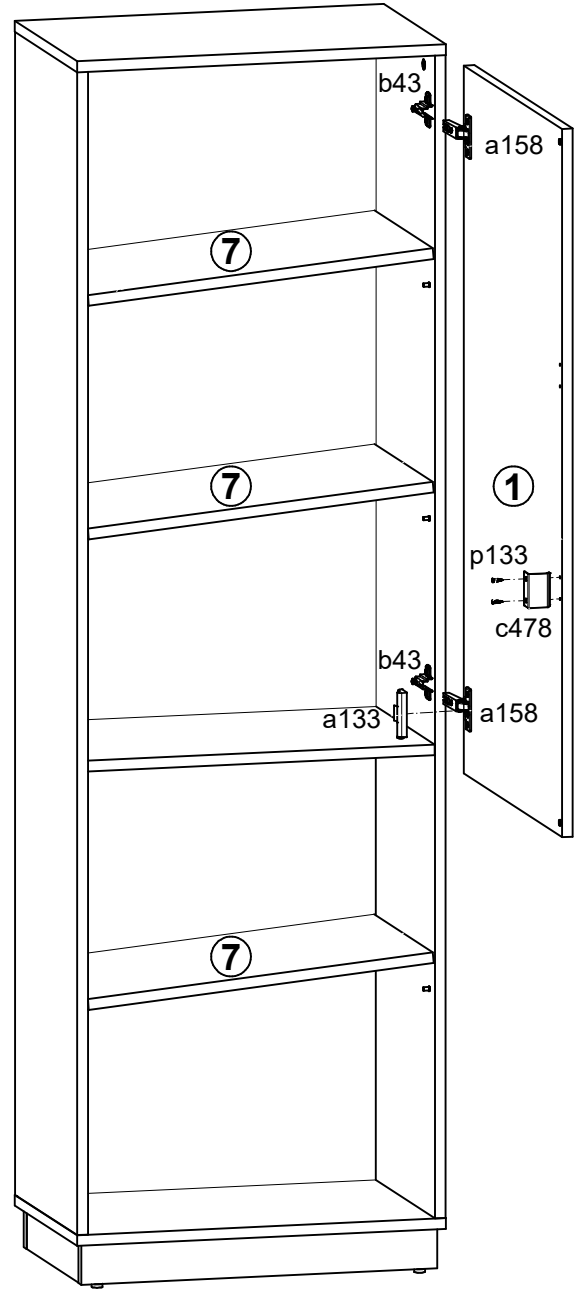
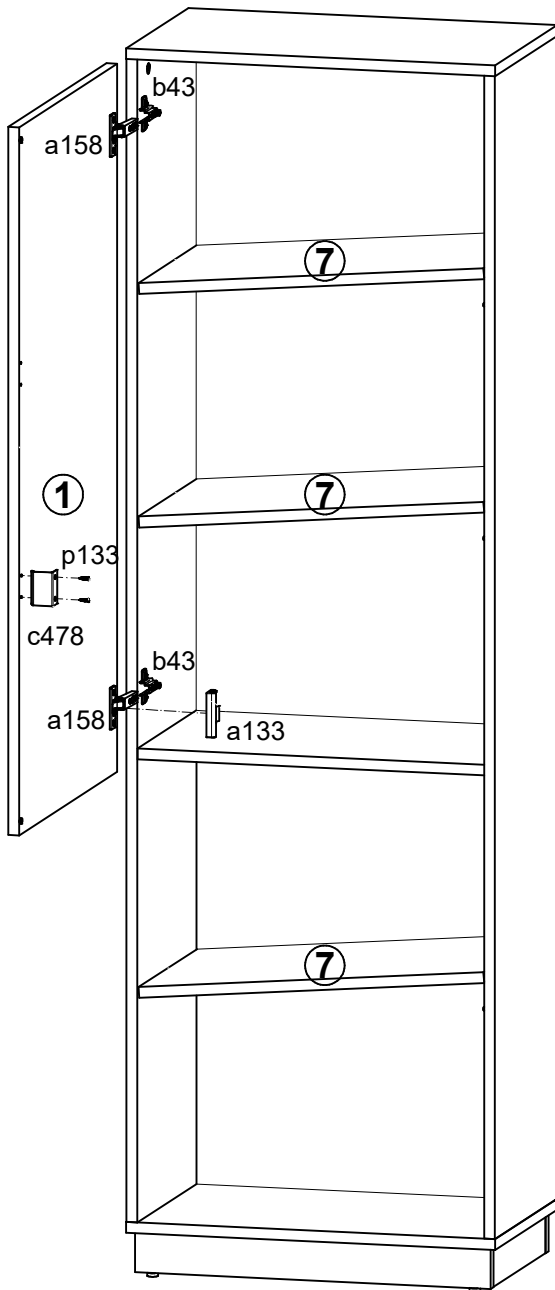
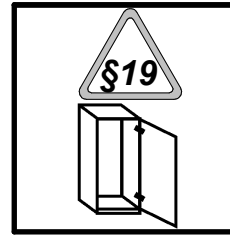
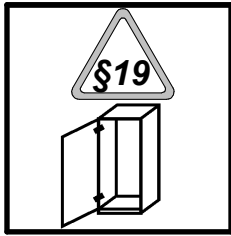
3



4



5



6

