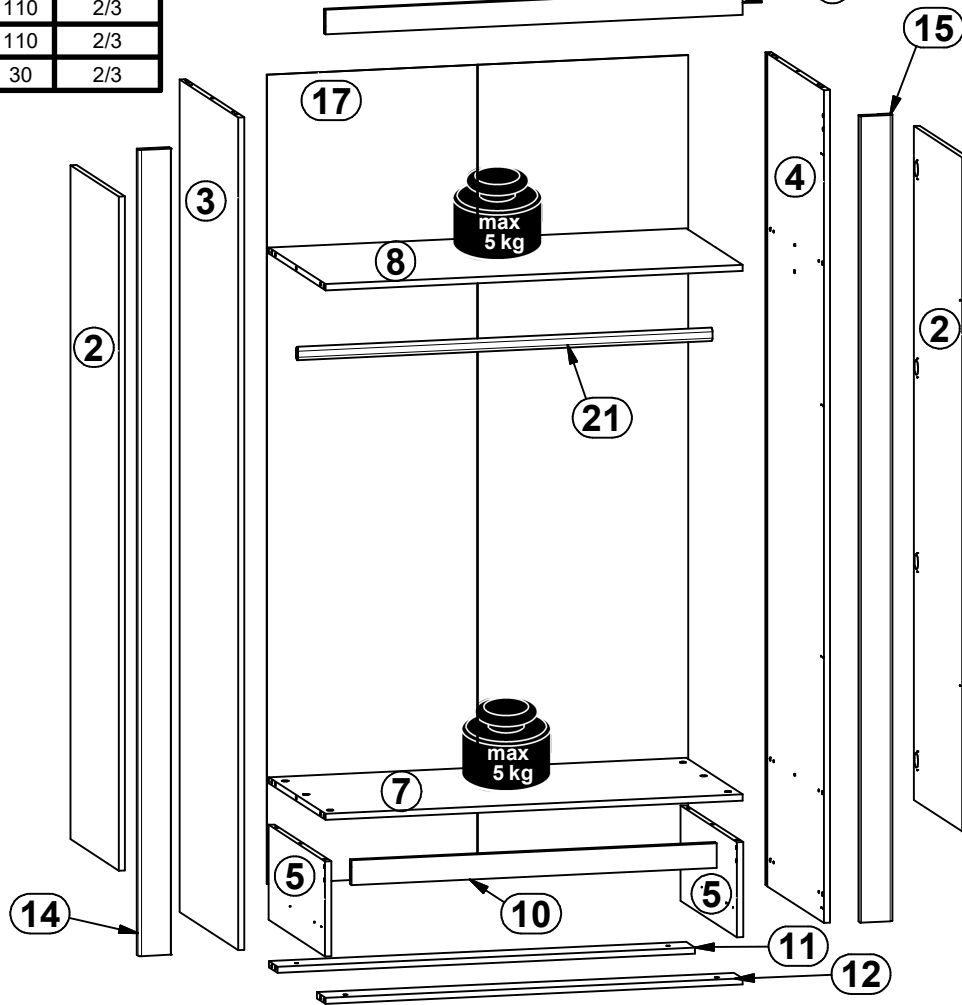
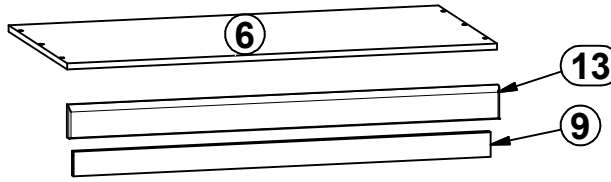
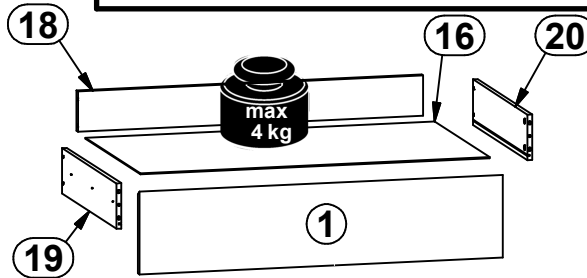
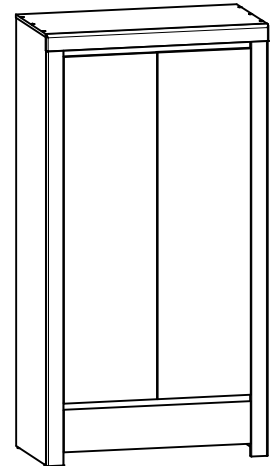
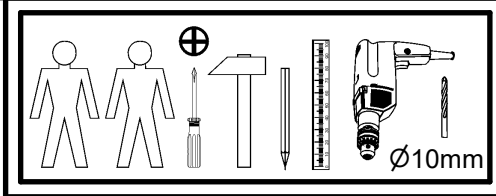
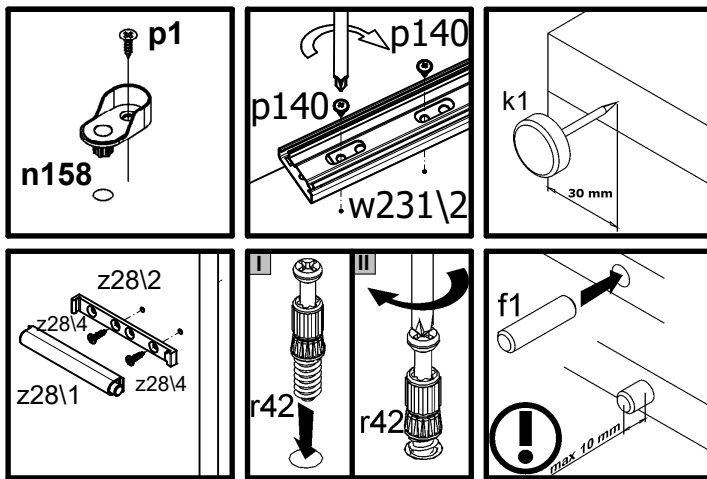
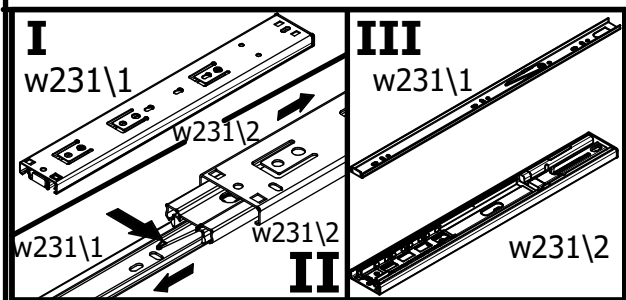
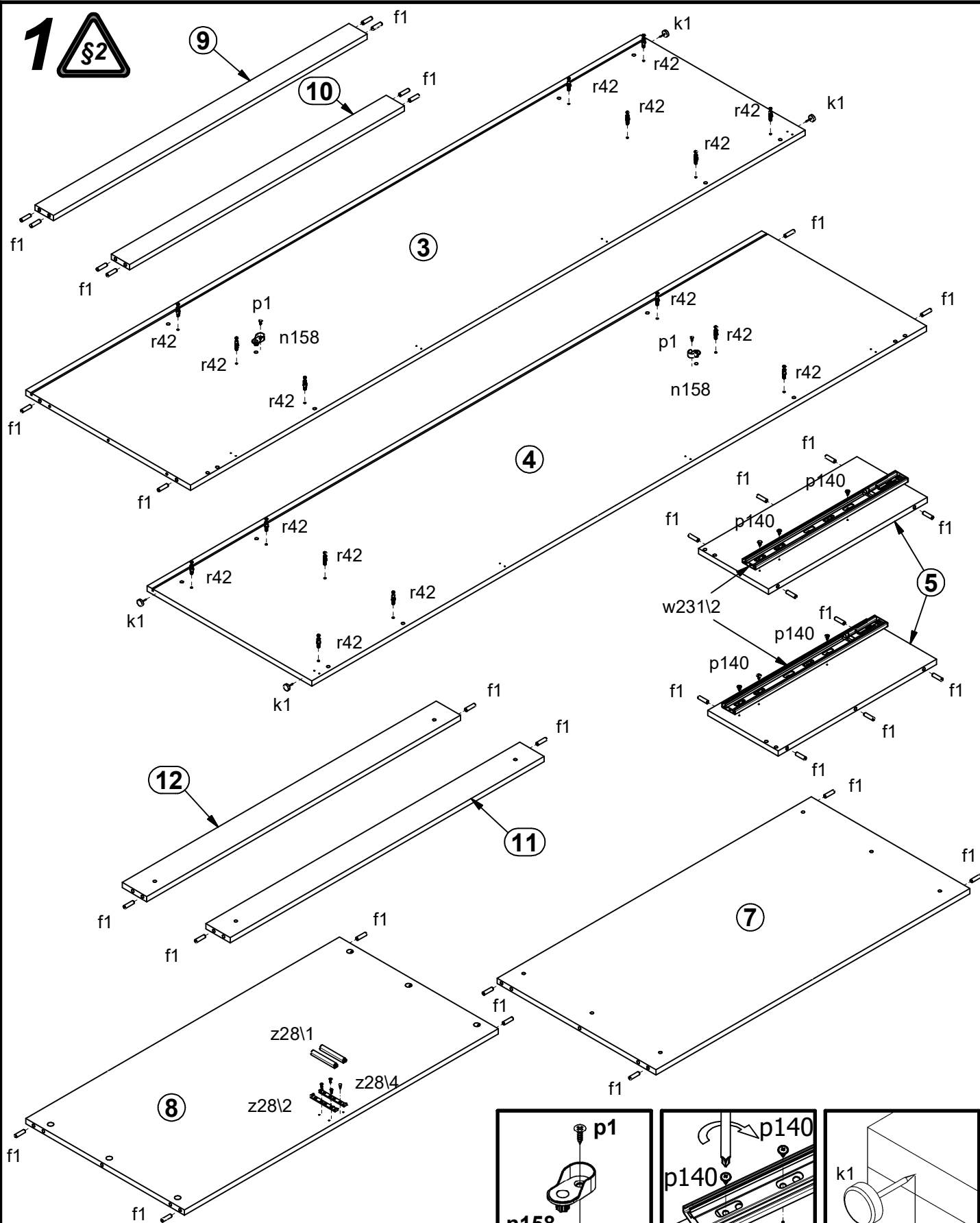


A	B	C	D	
1	S440-0018	896	200	2/3
2	S440-0026	1630	446	3/3
3	S440-1050	2014	540	1/3
4	S440-1051	2014	540	1/3
5	S440-1052	230	520	2/3
6	S440-2013	1060	540	2/3
7	S440-3033	1029	520	2/3
8	S440-3034	1029	520	2/3
9	S440-4025	1029	60	2/3
10	S440-4032	901	60	2/3
11	S440-4038	1029	80	2/3
12	S440-4039	1029	80	2/3
13	S440-5037	1062	80	2/3
14	S440-5054	1950	80	1/3
15	S440-5055	1950	80	1/3
16	S440-9017	861	507	2/3
17	S440-9310	1957	1039	1/3
18	ZK3-5062	851	97	2/3
19	ZK4-529	500	110	2/3
20	ZK4-530	500	110	2/3
21	dr-1022	1022	30	2/3

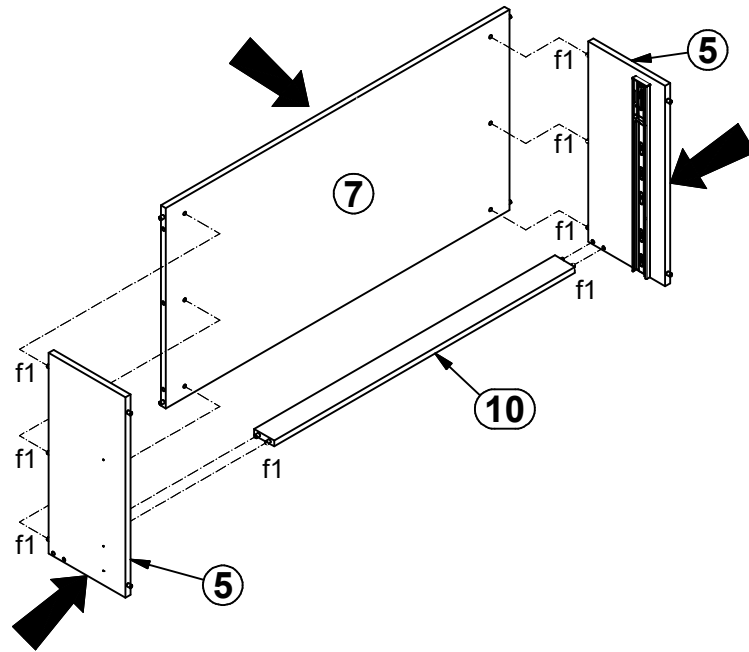


8x a132	2x a133	8x b43	4x d36	8x d37	6x Ø7x50 mm e1	16x Ø6,3x13 mm e2	34x Ø8x30 mm f1	2x Ø6x30 mm f9
4x Ø6,5x40 mm f25	4x k1	30x 1,4x20 mm l1	13x l2	2x n158	2x Ø3,5x13 mm p1	1x Ø3,5x16 mm p25	1x Ø3,5x10 mm p35	46x Ø3,5x16 mm p38
16x Ø3,5x15 mm p51	12x Ø3,5x12 mm p140	16x Ø15x12 mm #16 r1	4x Ø12x10,5 mm #12 r15	20x 20/11 r42	1x 500 mm t34	2x L=500 mm w231/1	2x L=500 mm w231/2	6x Ø16 s2
1x 4 mm z1	2x z28/1	2x 82x9,5/6,5 mm z28/2	2x 20x20/1,5 mm z28/3	6x Ø3x12 mm z28/4	1x n26/1	1x Ø3,5x16 mm p38		

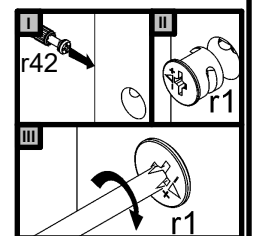
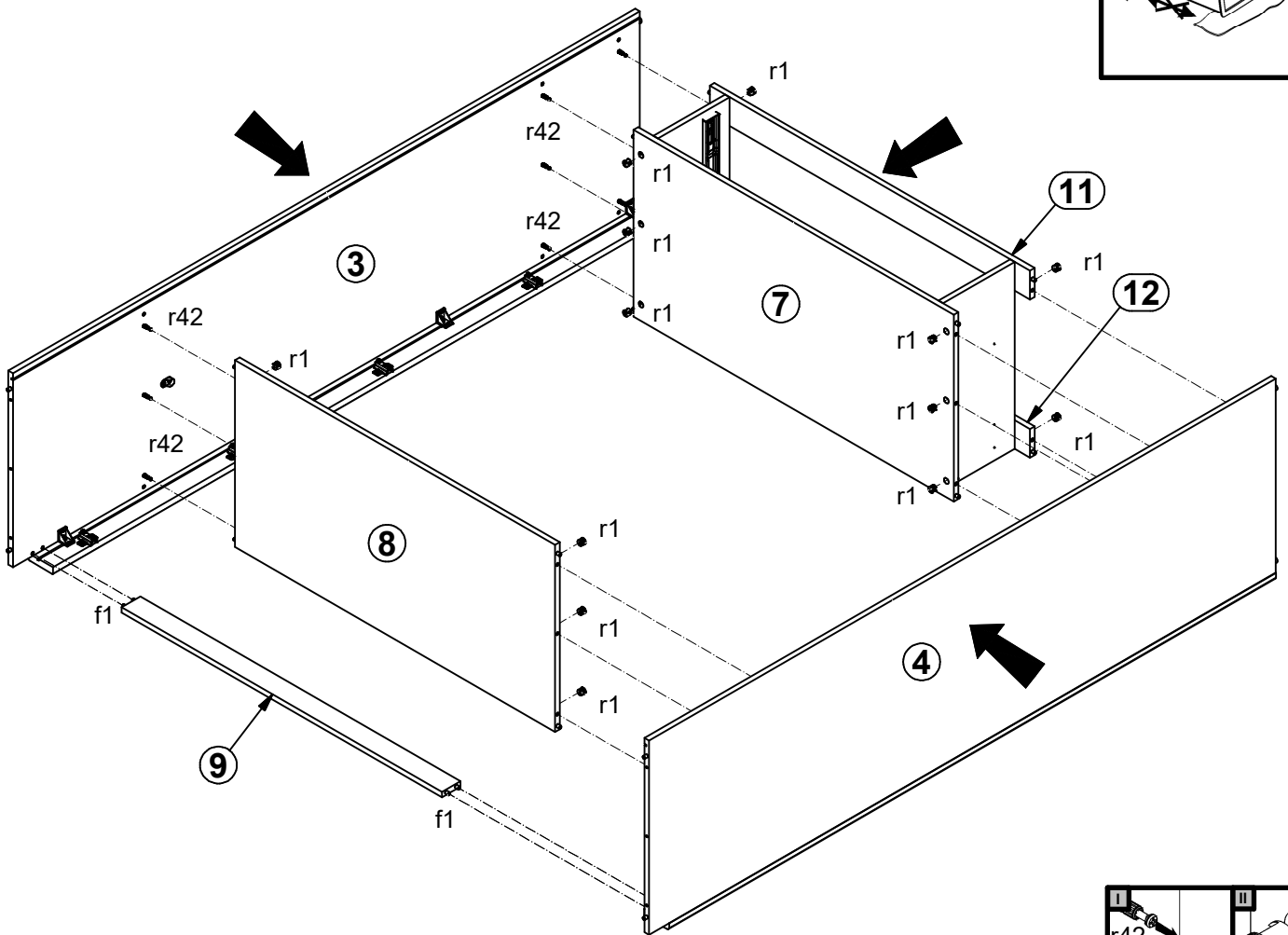
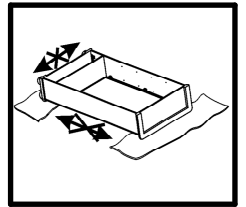
1 



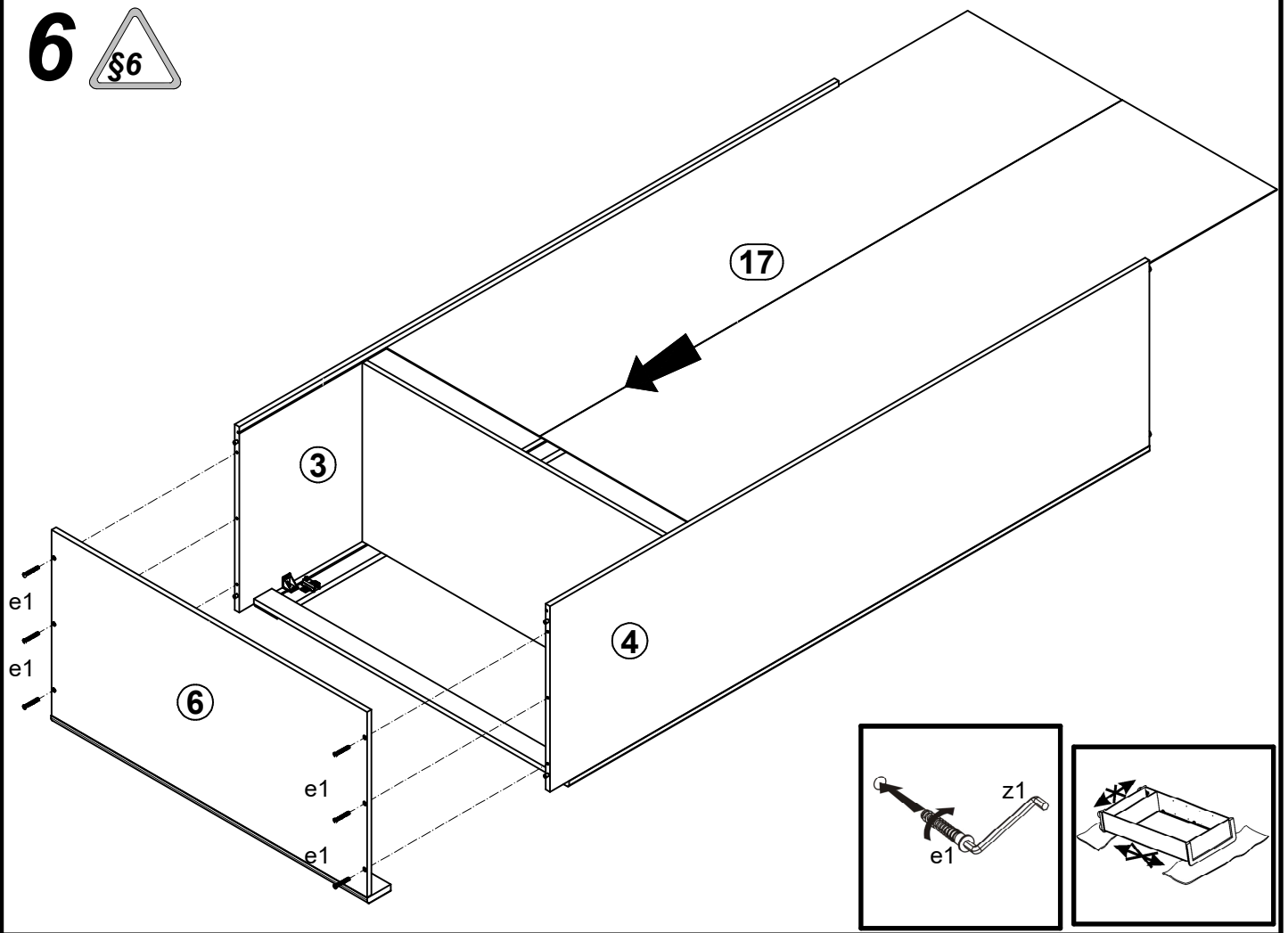
4



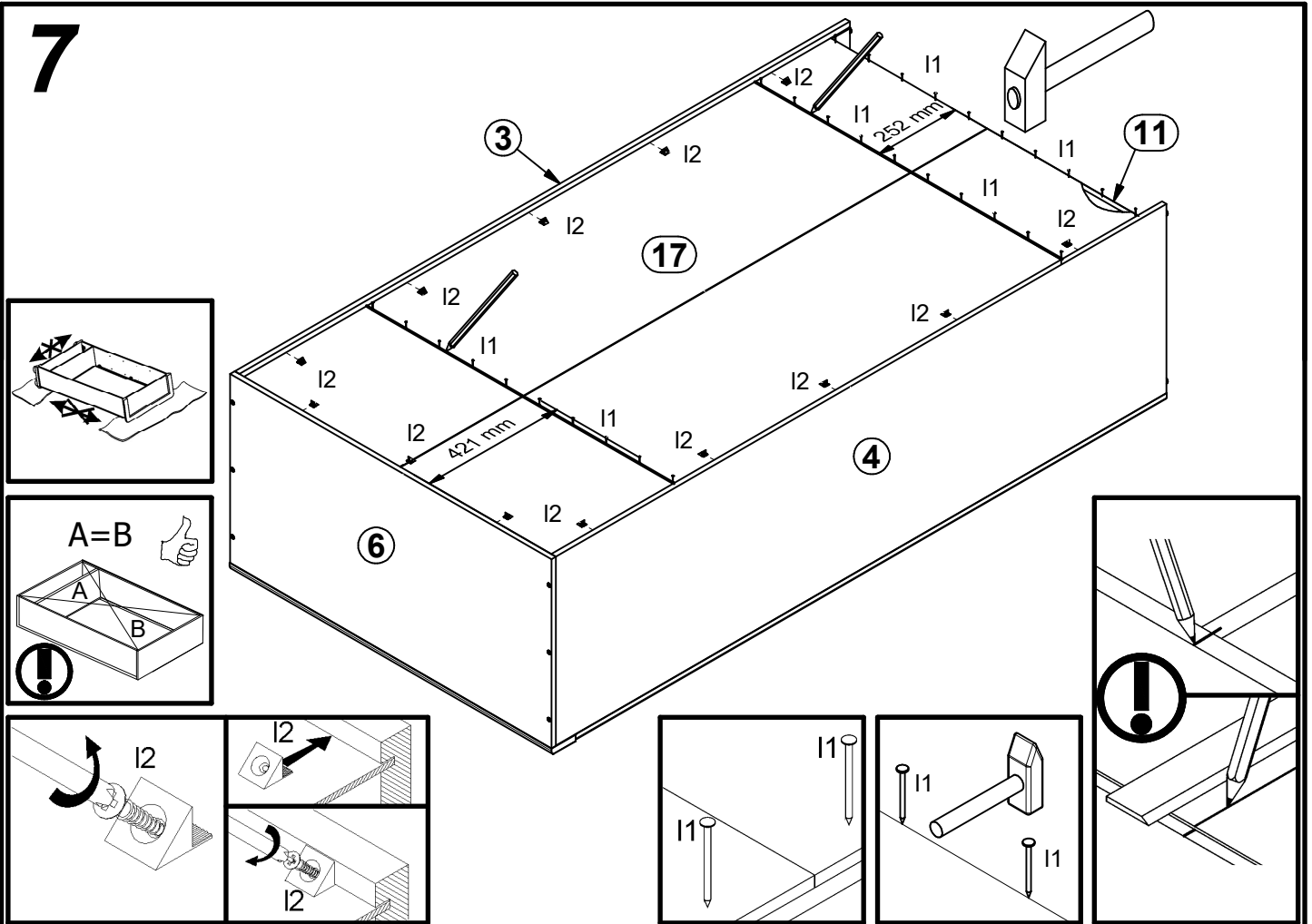
5

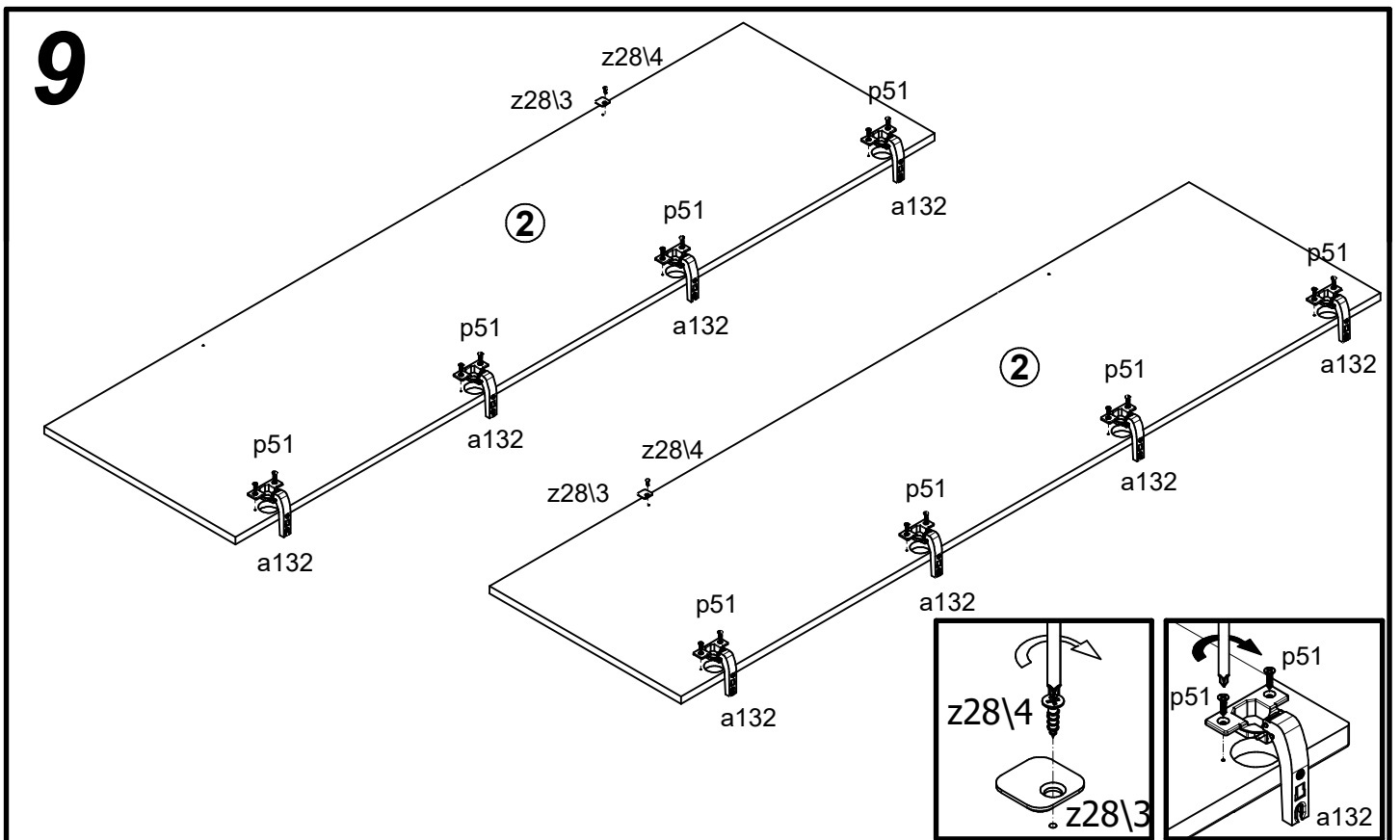
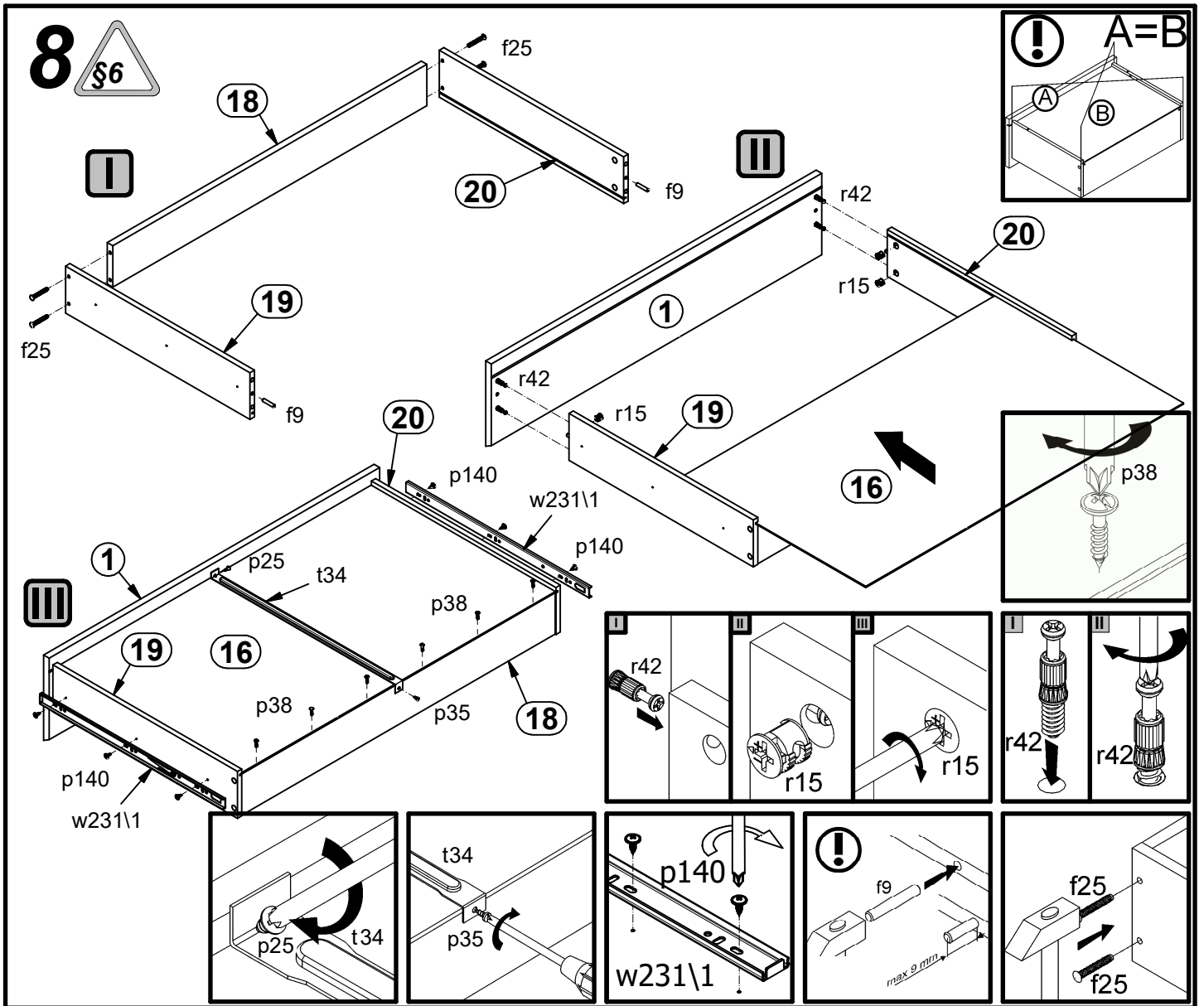


6



7





10

