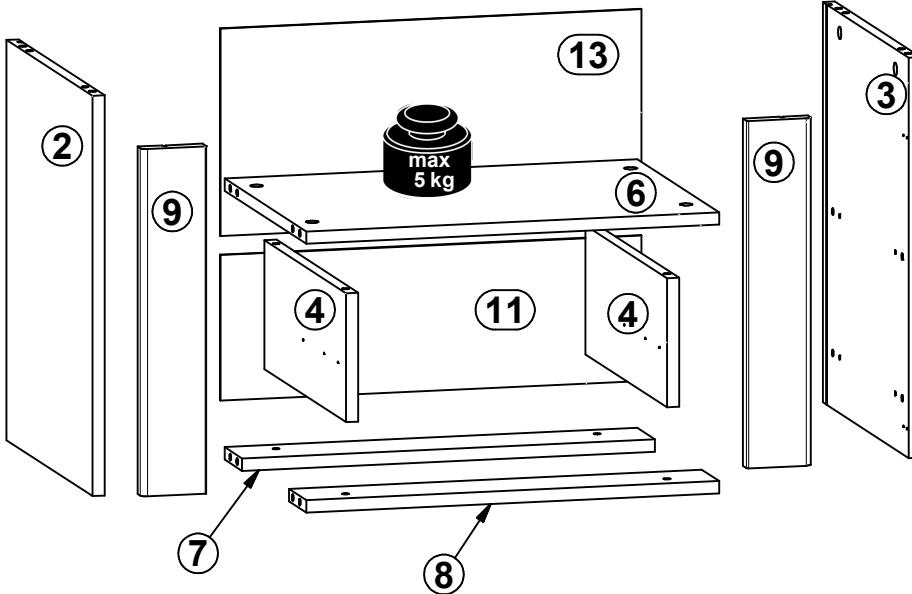
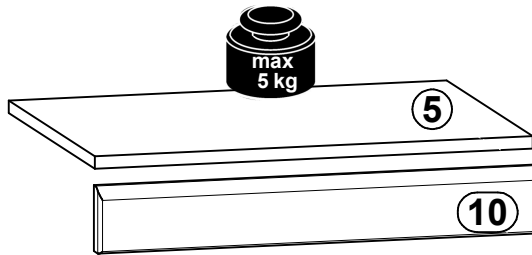
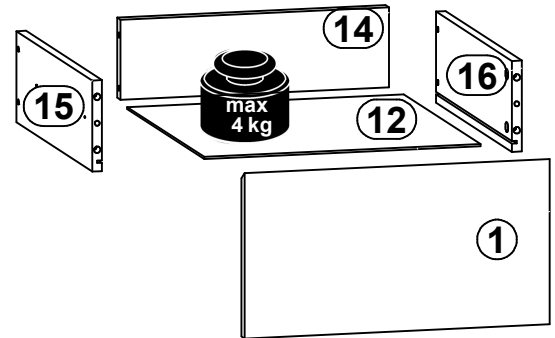
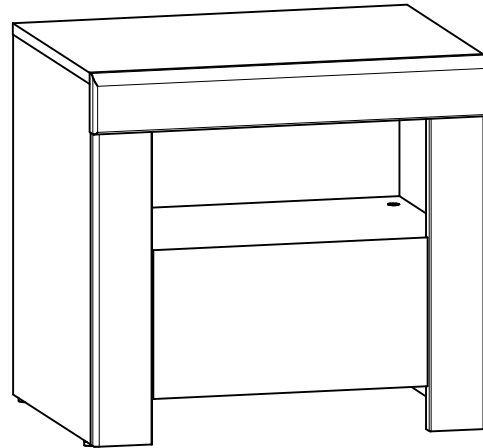
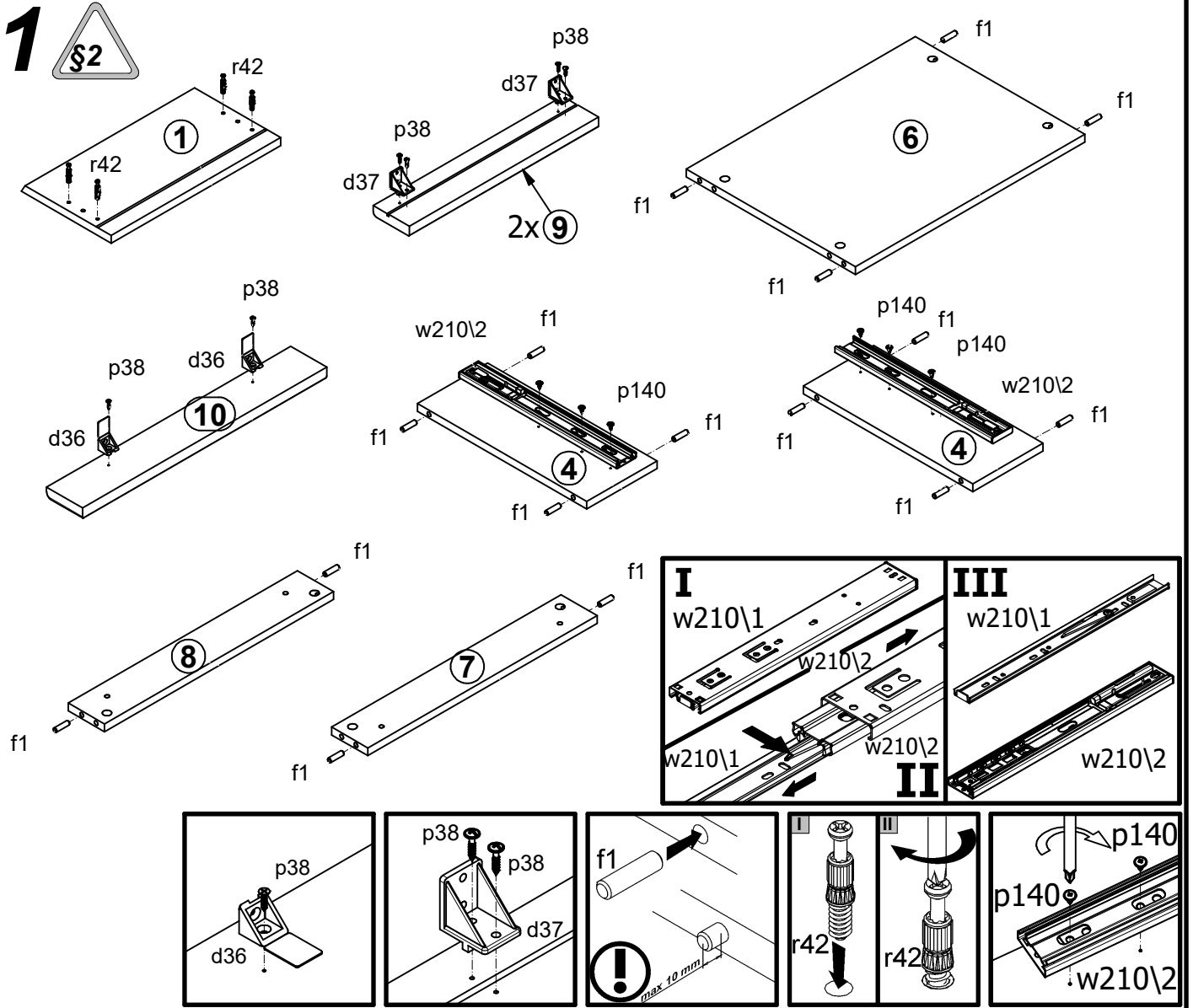


A	B	C	D	
1	S440-0004/ A	376	200	1/1
2	S440-1006/ A	484	396	1/1
3	S440-1007/ A	484	396	1/1
4	S440-1008/ A	156	376	1/1
5	S440-2002	540	396	1/1
6	S440-3001	509	376	1/1
7	S440-4008	509	80	1/1
8	S440-4009	509	80	1/1
9	S440-5004/ A	420	80	1/1
10	S440-5006	542	80	1/1
11	S440-9003	519	176	1/1
12	S440-9004/ A	354	341	1/1
13	S440-9007	251	519	1/1
14	ZK3-5068	331	97	1/1
15	ZK4-523	350	110	1/1
16	ZK4-524	350	110	1/1

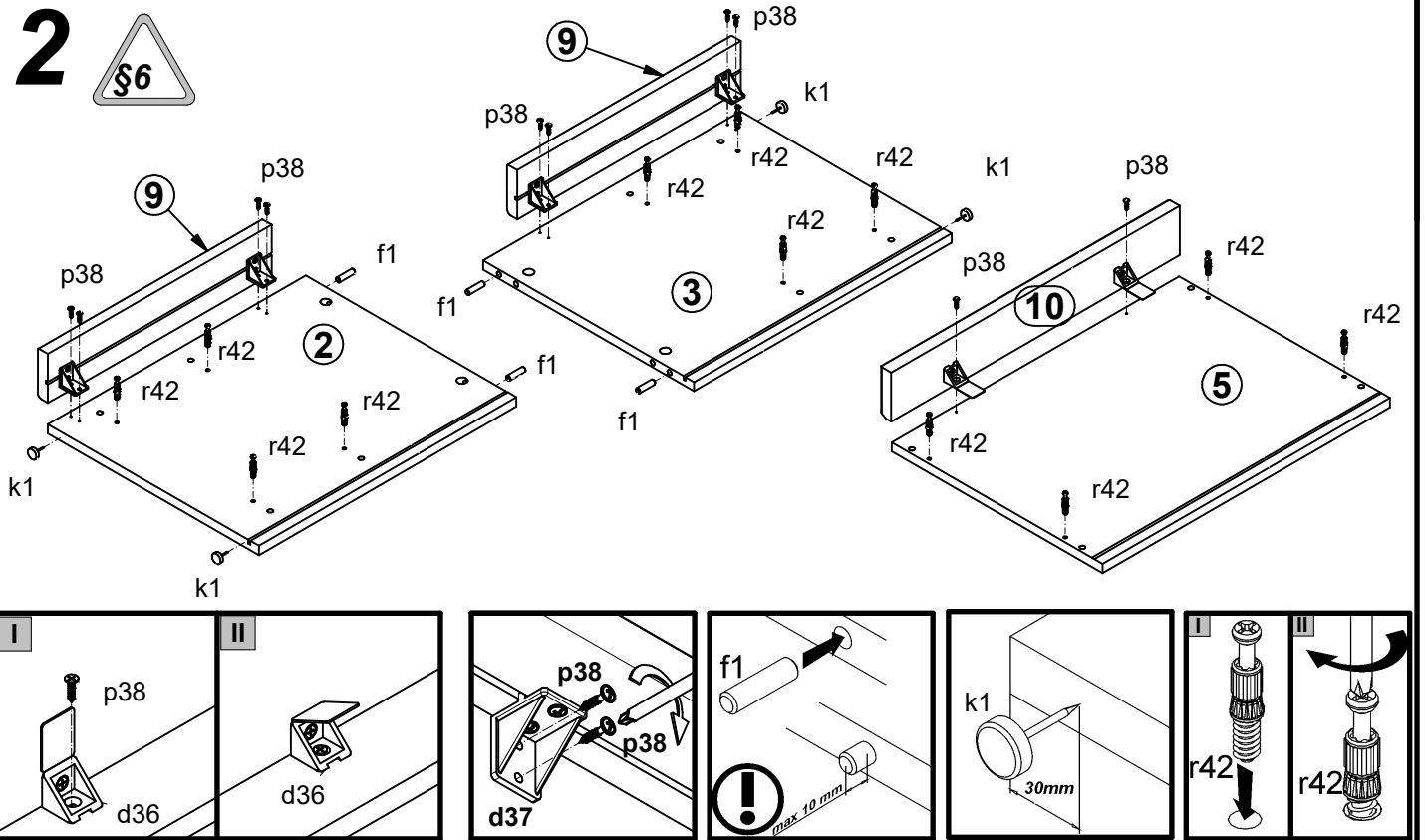


2x d36	4x d37	20x f1 Ø8x30 mm	4x f25 Ø6.5x40 mm	2x f9 Ø6x30 mm	4x k1	5x l1 1.4x20 mm	1x l2	3x n108 22x9.5x20.7 mm
12x p140 Ø3.5x12 mm	24x p38 Ø3.5x16 mm	3x p55 Ø2.9x16 mm	12x r1 Ø15x12 mm #16	4x r15 Ø12x10.5 mm #12	16x r42 20/11	2x w210\1 L-350 mm	2x w210\2 L-350 mm	8x s2 Ø16
1x n26\1								

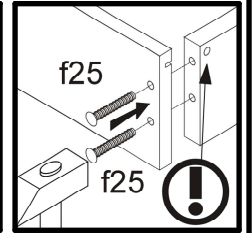
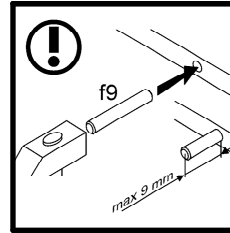
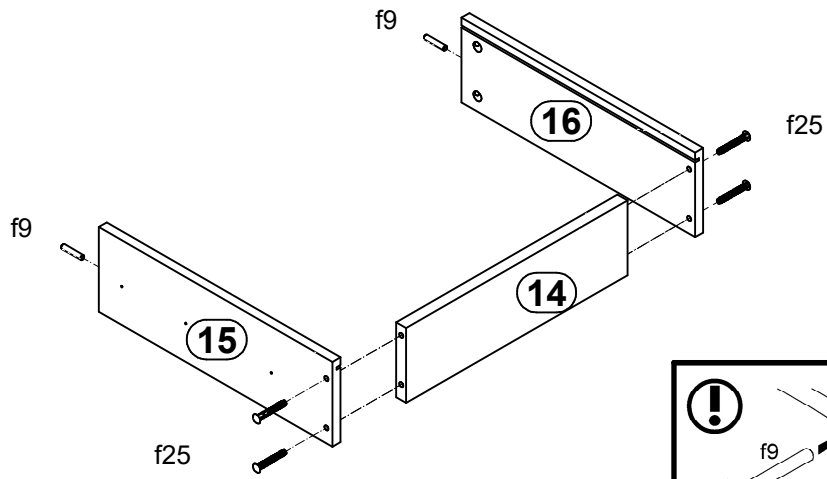
1



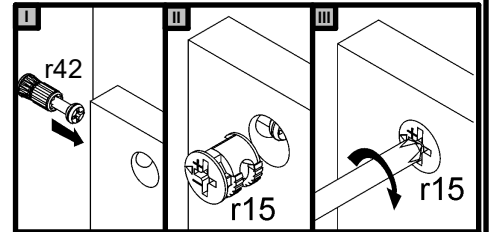
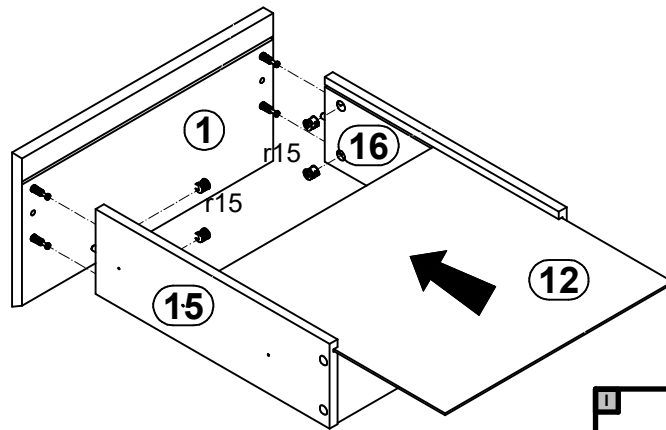
2



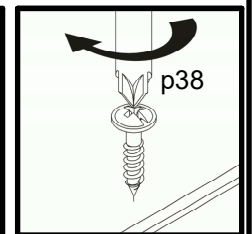
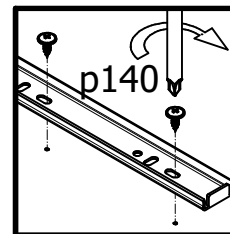
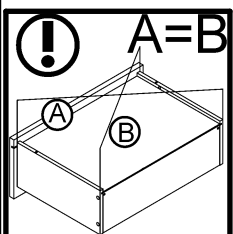
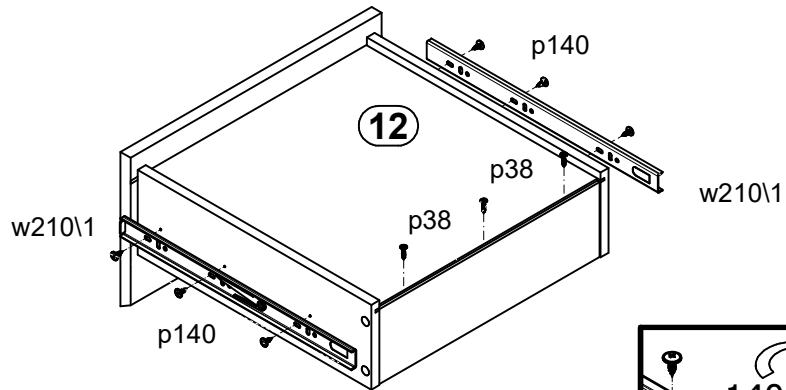
3



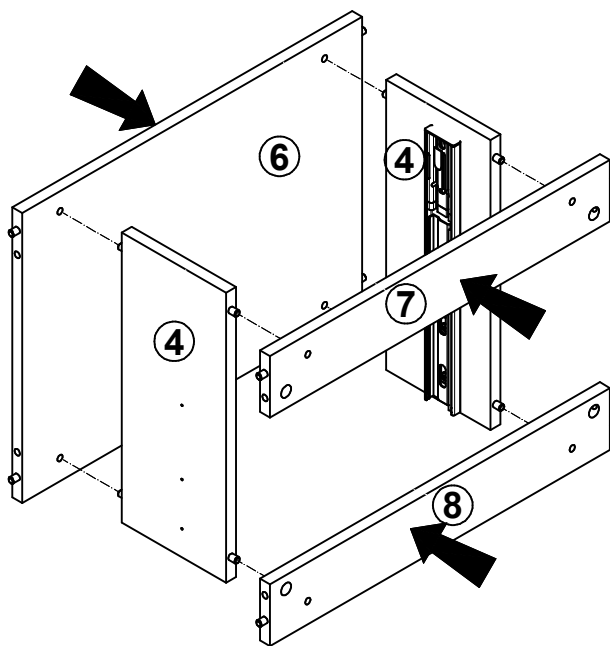
4



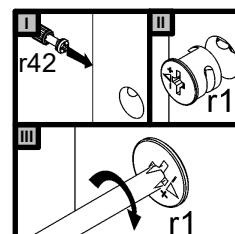
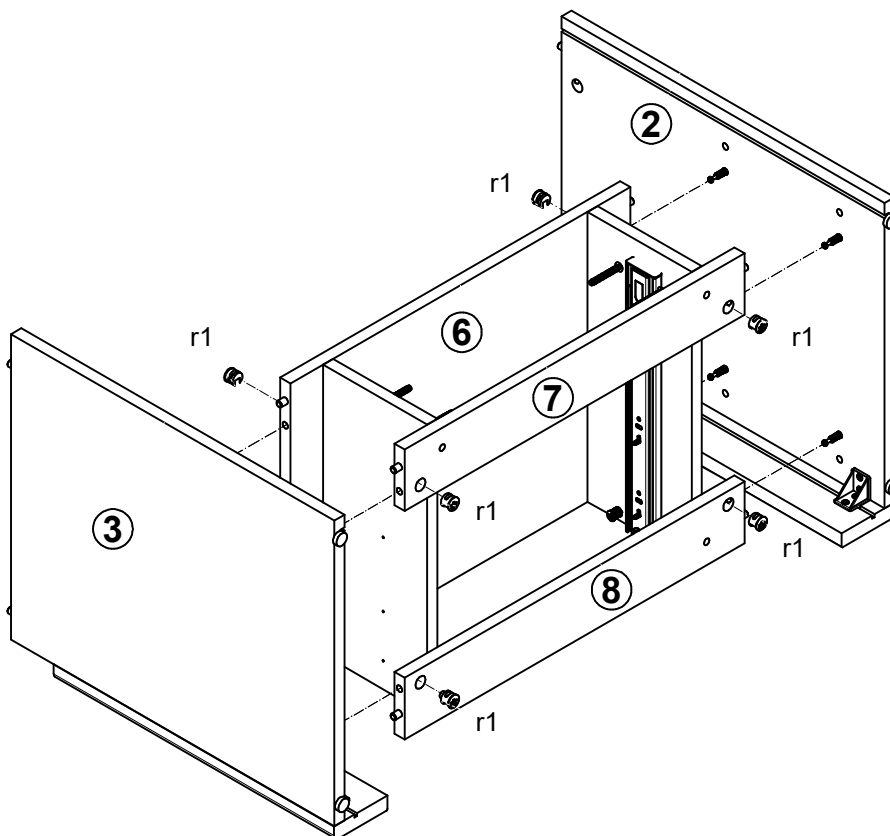
5



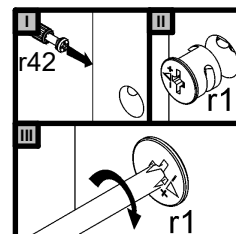
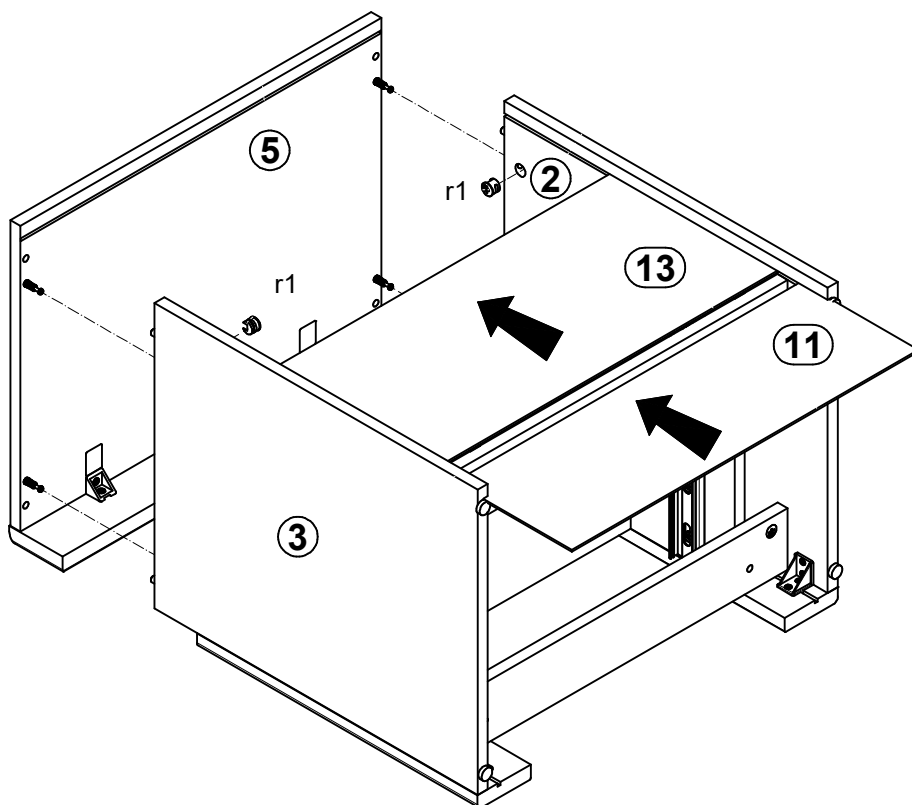
6



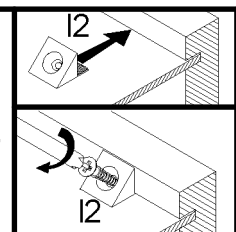
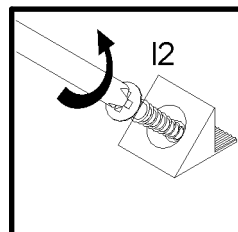
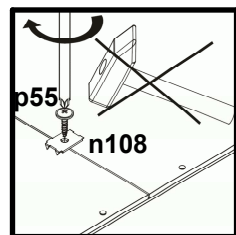
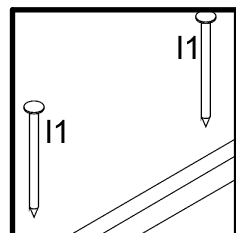
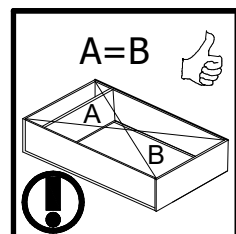
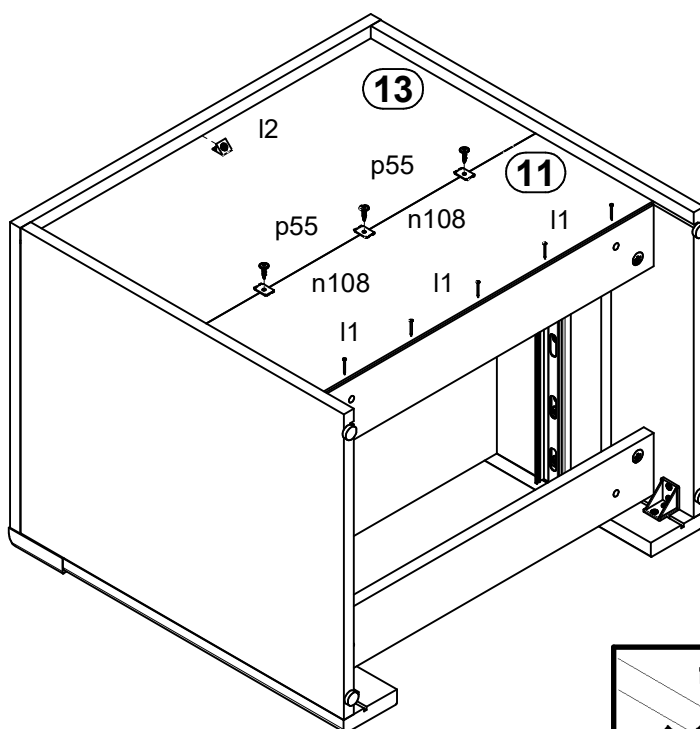
7



8



9



10

