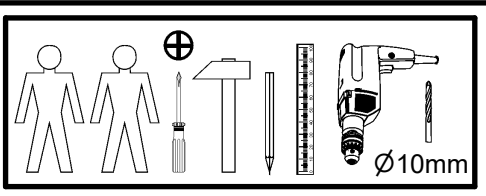
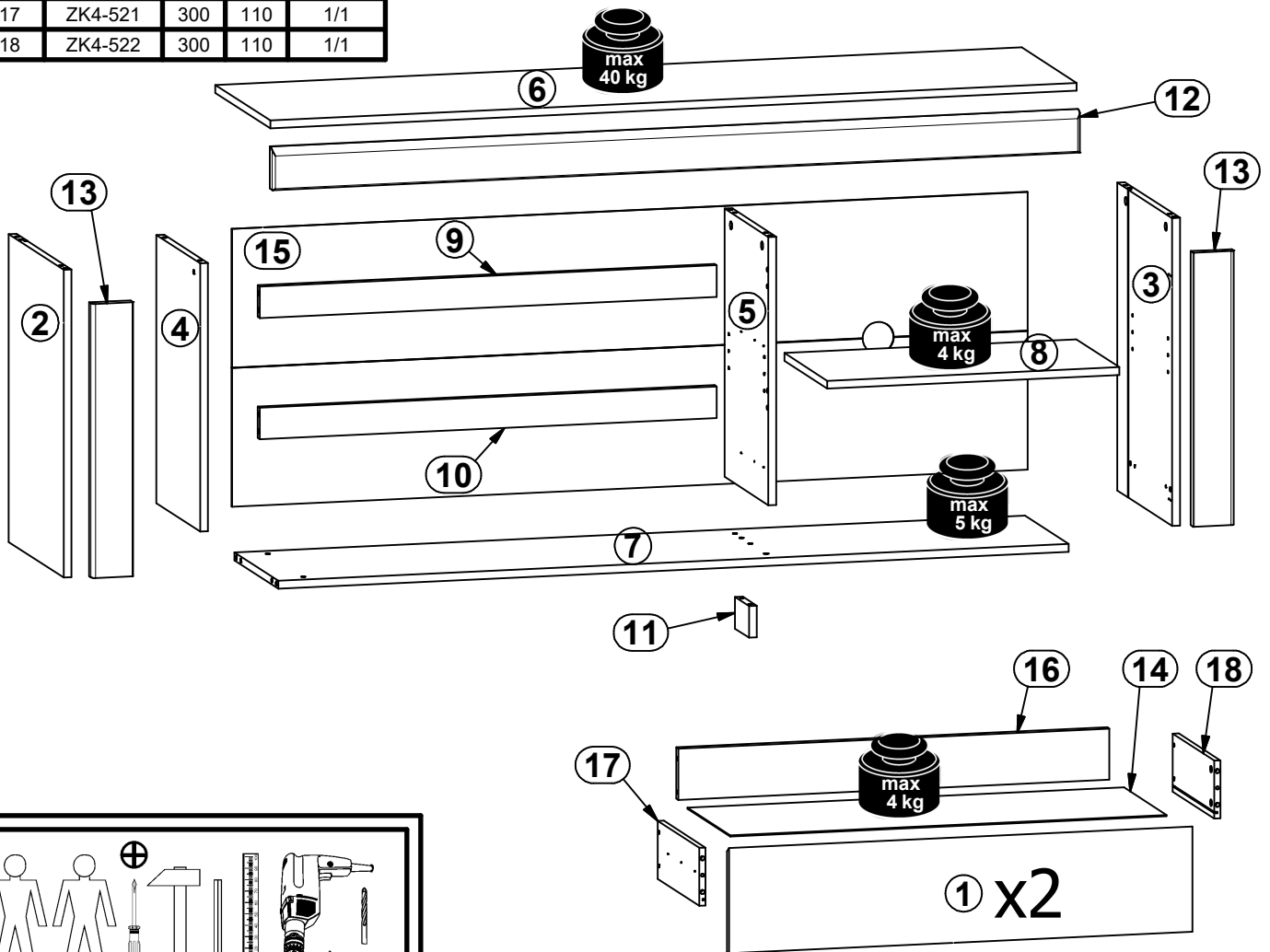
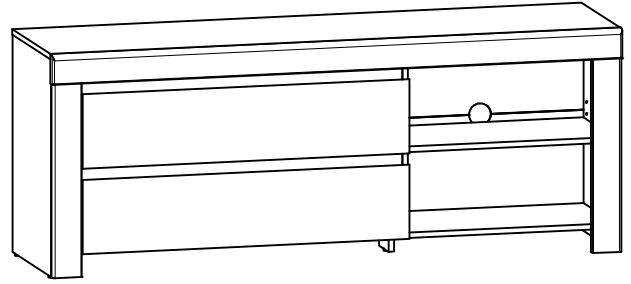
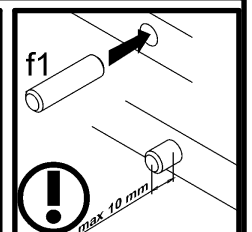
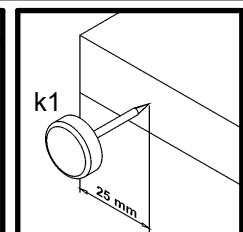
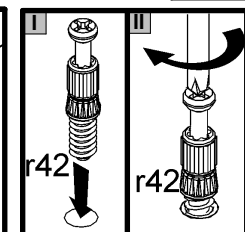
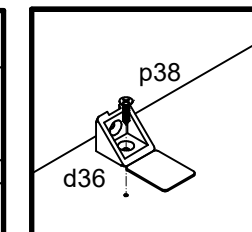
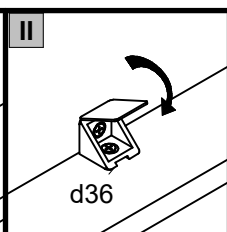
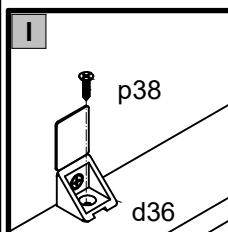
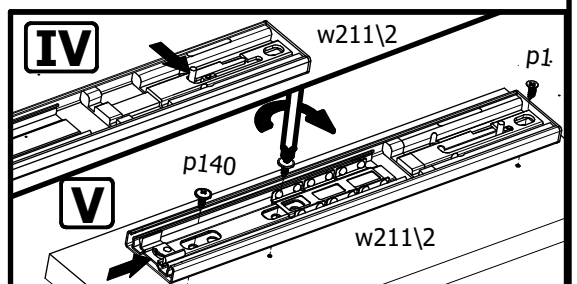
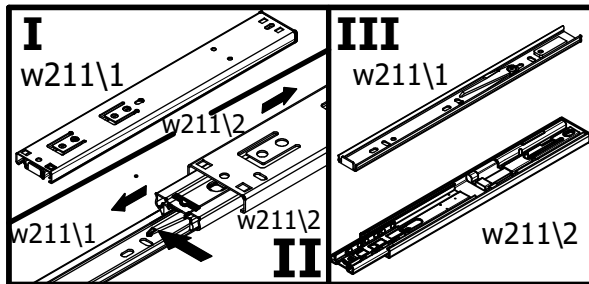
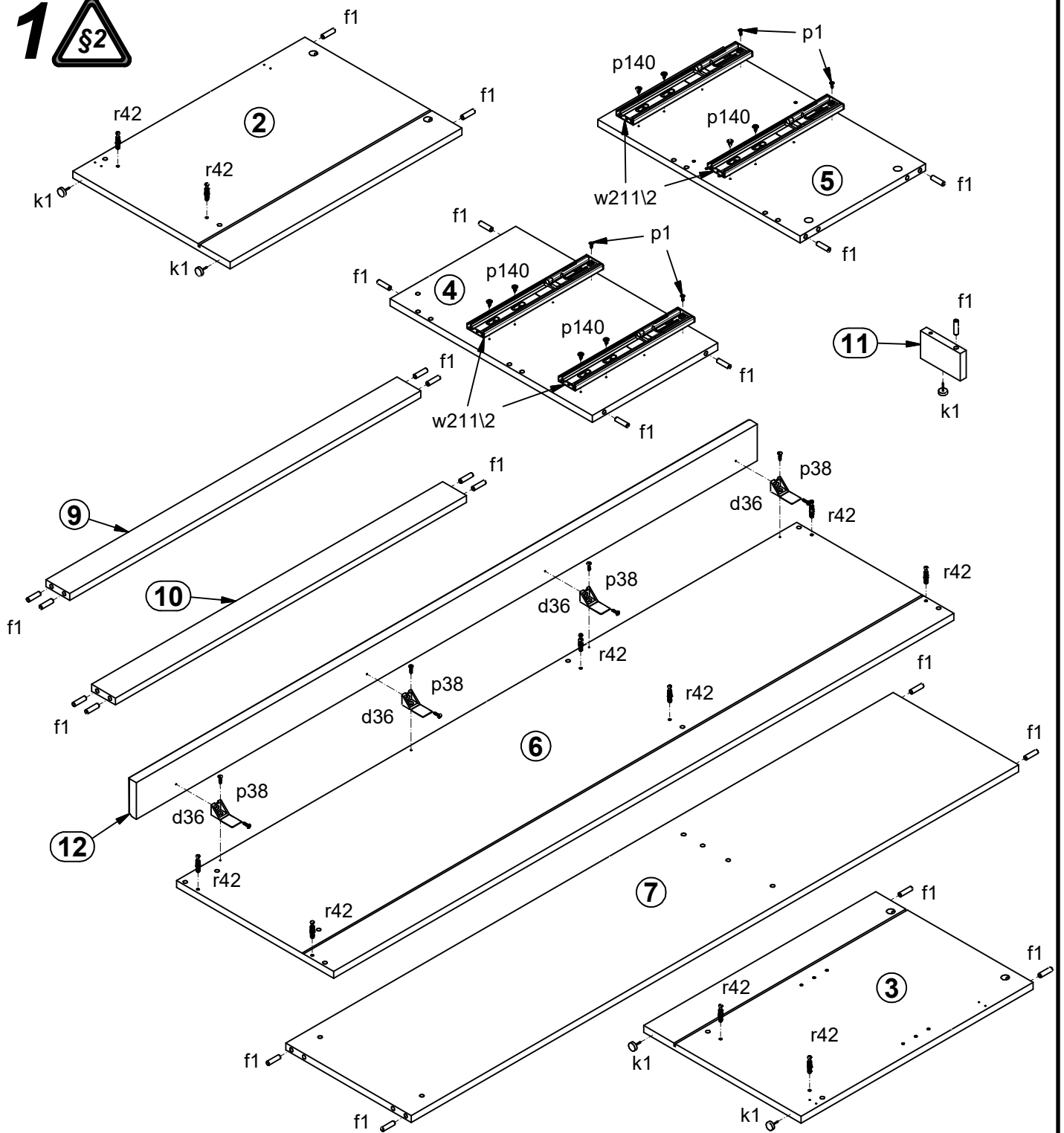


A	B	C	D	
1	S440-0019	896	200	1/1
2	S440-1037	584	396	1/1
3	S440-1038	584	396	1/1
4	S440-1039	509	316	1/1
5	S440-1040	509	316	1/1
6	S440-2010	1560	396	1/1
7	S440-3023	1529	316	1/1
8	S440-3024	565	310	1/1
9	S440-4026	884	60	1/1
10	S440-4027	884	60	1/1
11	S440-5015	100	60	1/1
12	S440-5035	1562	80	1/1
13	S440-5041	520	80	1/1
14	S440-9014	844	307	1/1
15	S440-9308	1539	527	1/1
16	ZK3-5063	834	97	1/1
17	ZK4-521	300	110	1/1
18	ZK4-522	300	110	1/1



4x Ø5x17 mm d1	4x d36	4x d37	3x Ø7x50 mm e1	23x Ø8x30 mm f1	8x Ø6.5x40 mm f25	4x Ø6x30 mm f9	5x k1	20x 1.4x20 mm l1
6x l2	4x Ø3.5x13 mm p1	20x Ø3.5x12 mm p140	2x Ø3.5x16 mm p25	2x Ø3.5x10 mm p35	36x Ø3.5x16 mm p38	10x Ø15x12 mm #16 r1	8x Ø12x10.5 mm #12 r15	18x 20/11 r42
2x 300 mm t25	4x L=300 mm w211\1	4x L=300 mm w211\2	2x Ø16 s2	1x 4 mm z1				
						1x n26\1		1x Ø3.5x16 mm p38

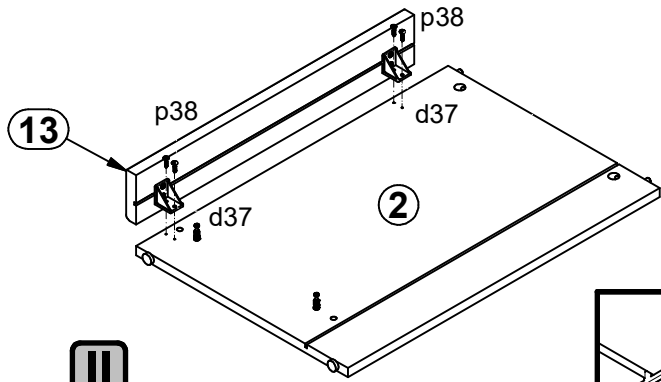
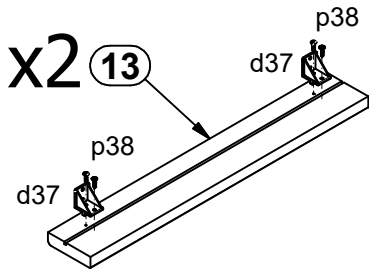
1 



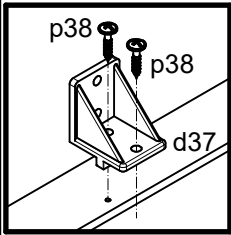
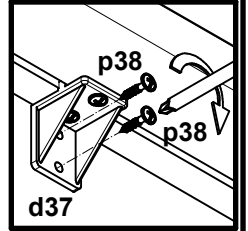
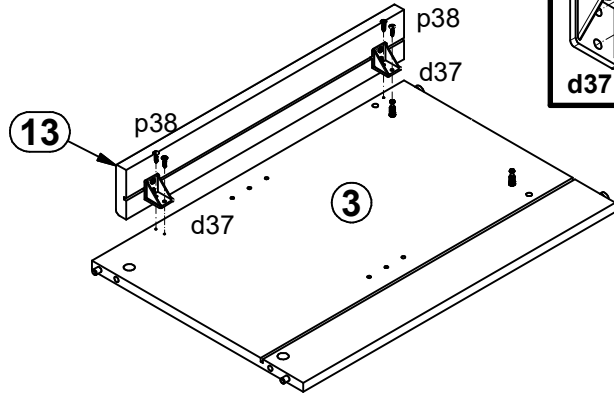
# 2



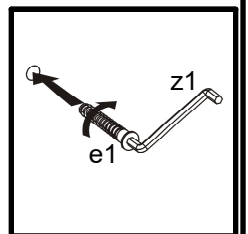
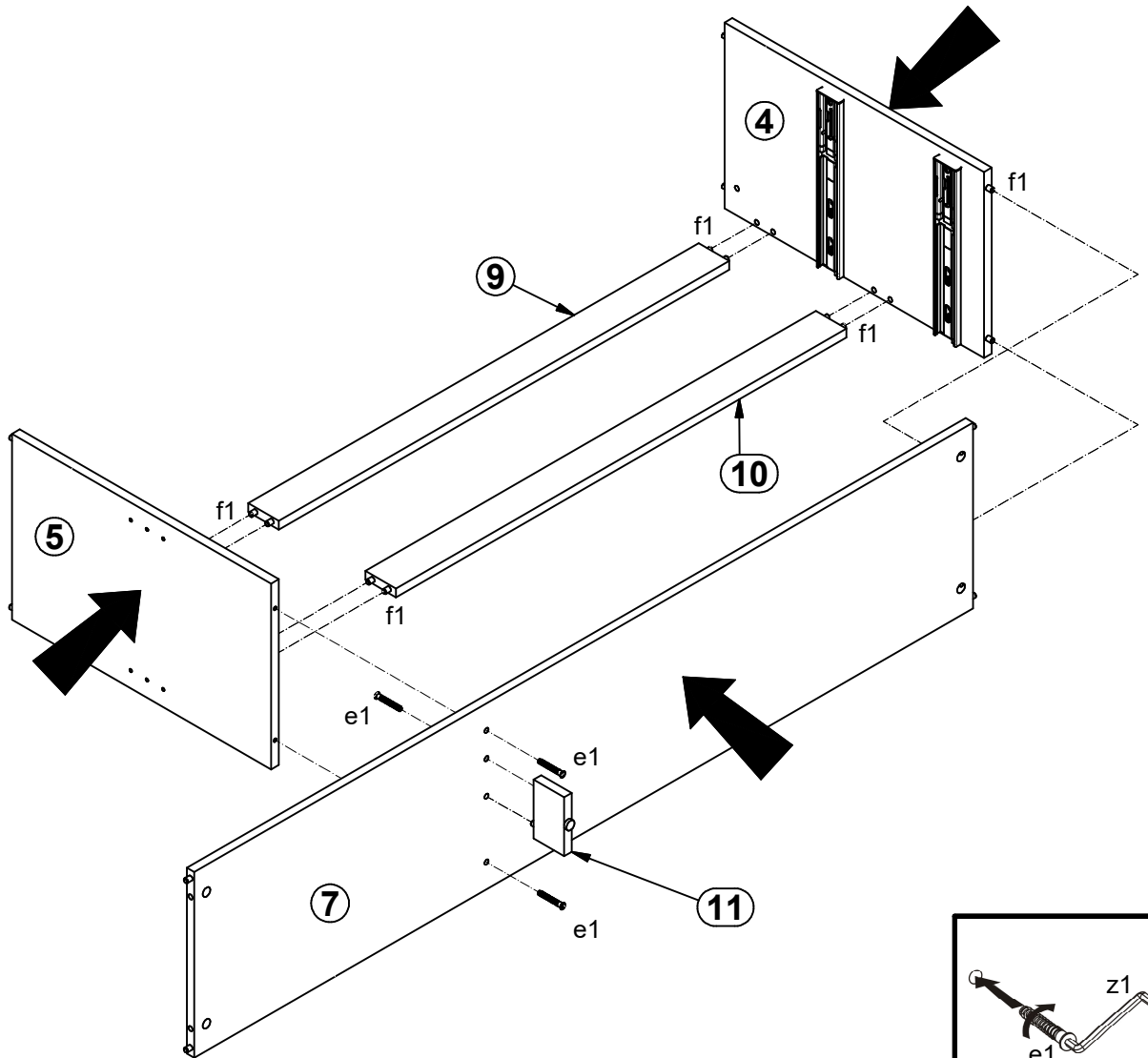
## I



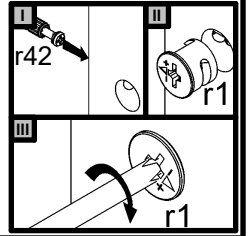
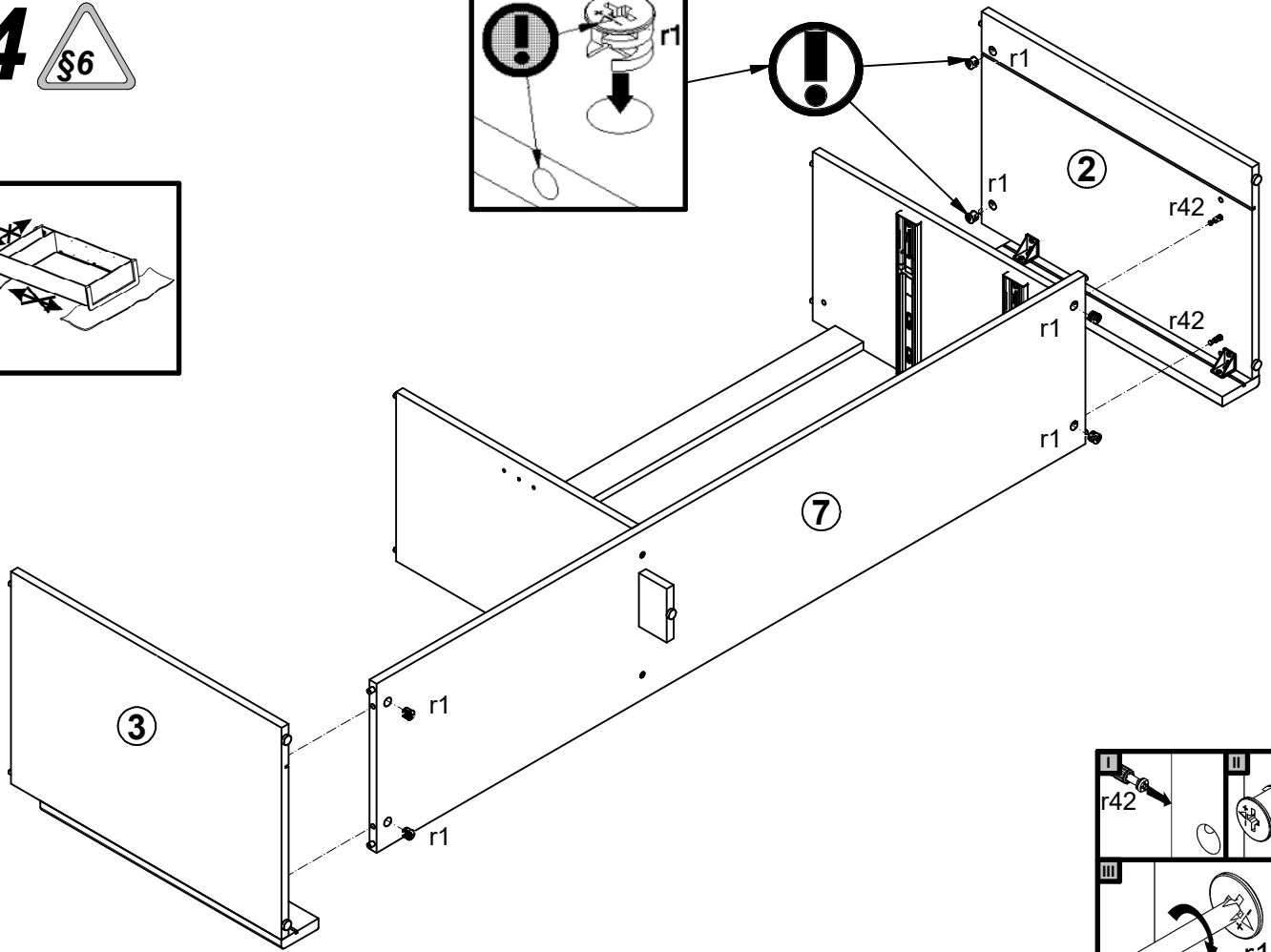
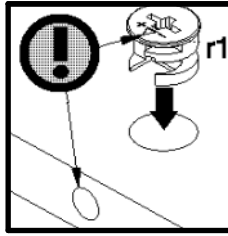
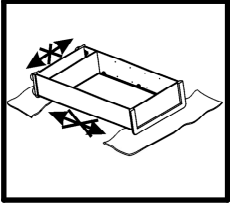
## II



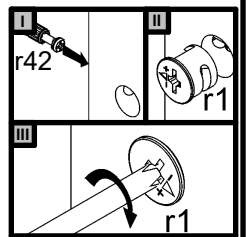
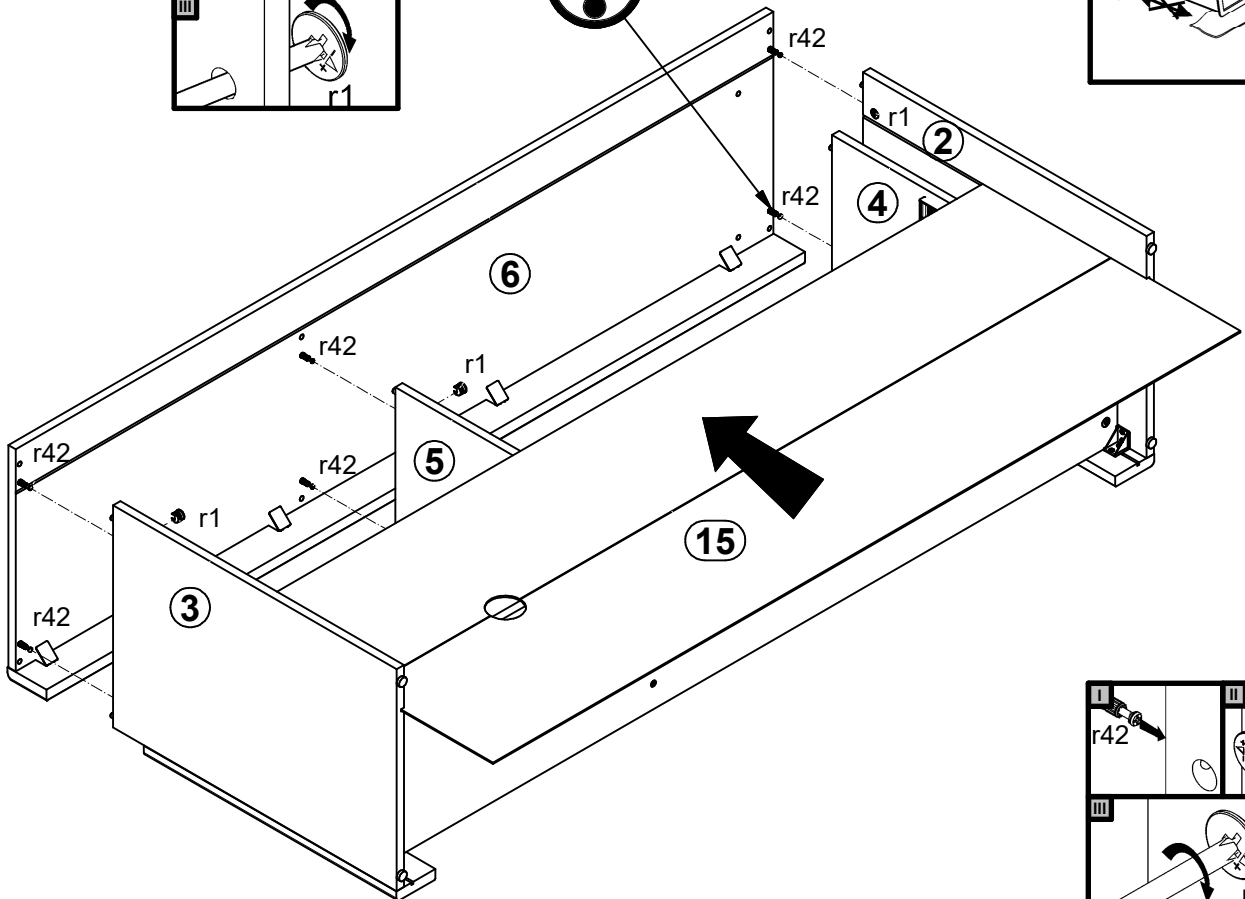
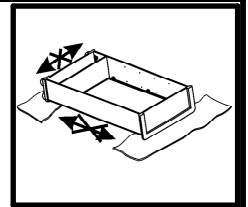
# 3

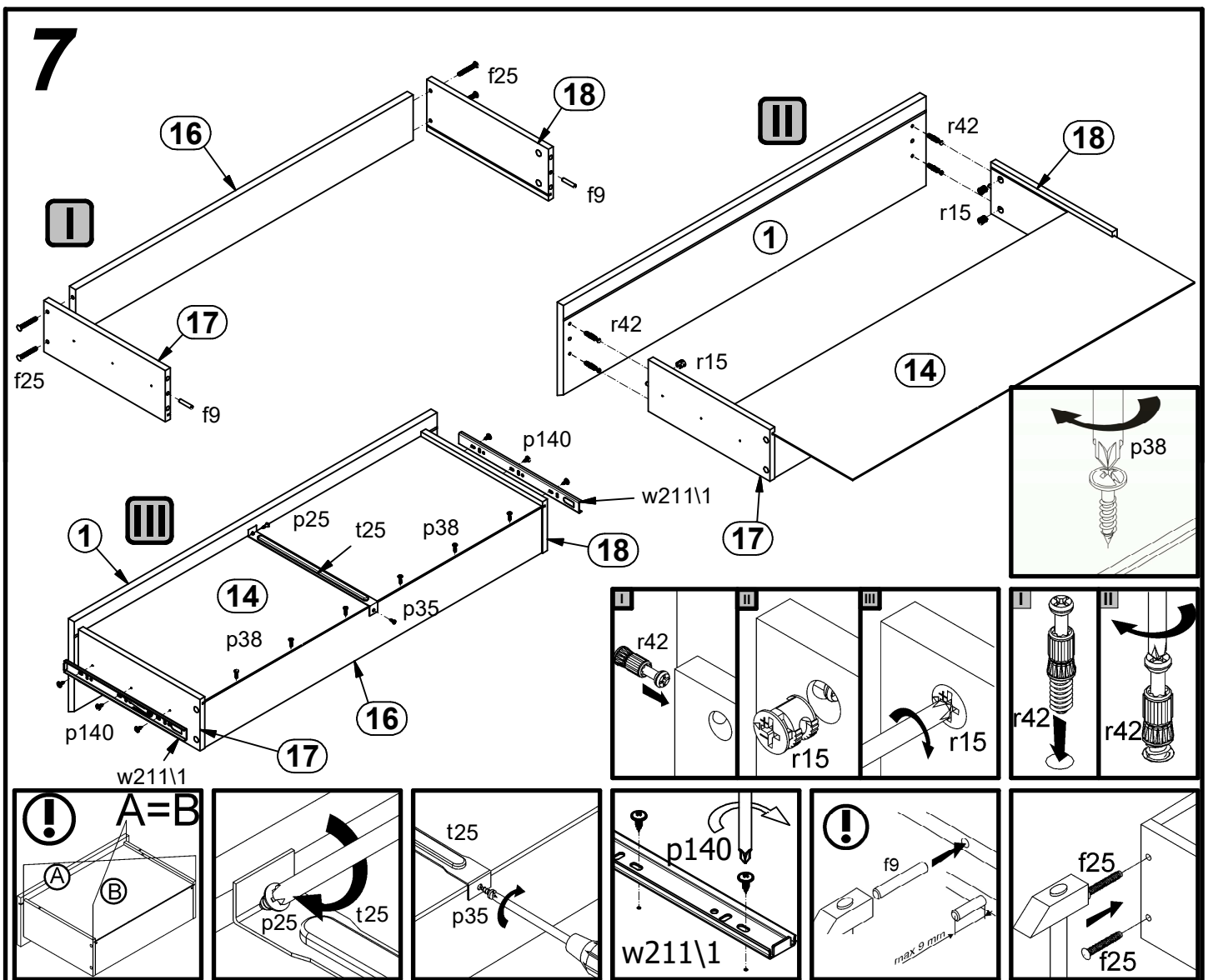
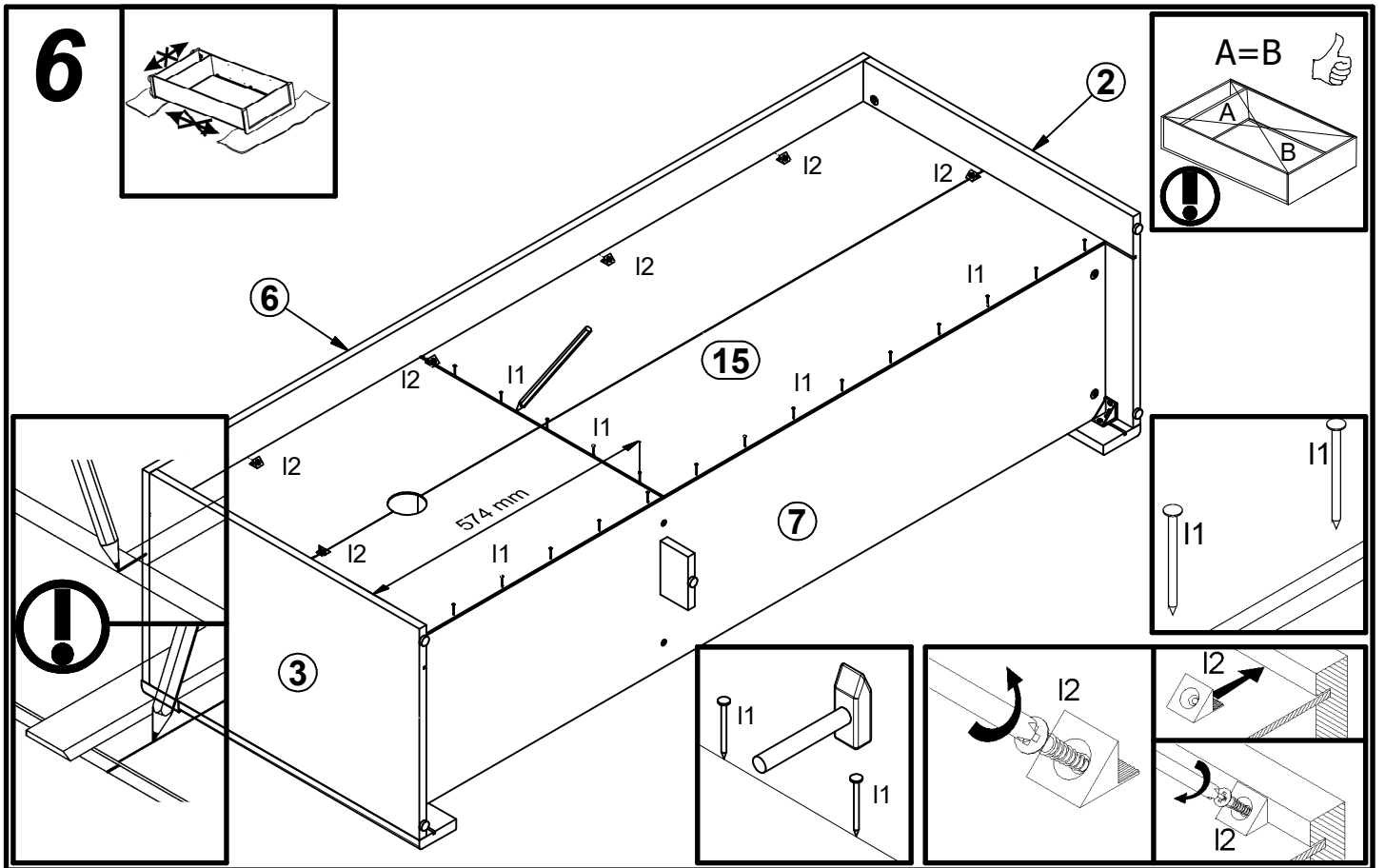


**4** 



**5**





# 8

