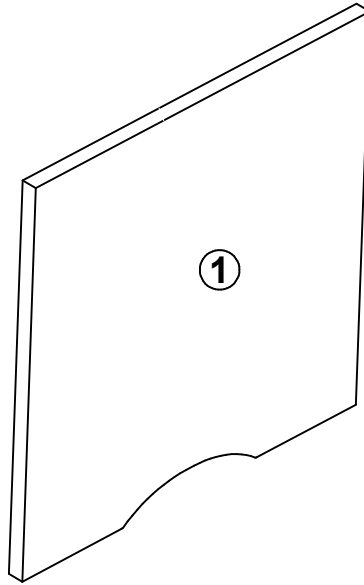
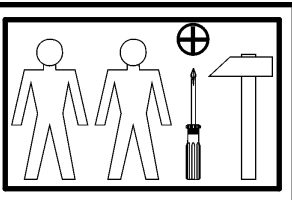


| A | B | C | D |
|---|-----------|-----|-----|
| 1 | S411-0001 | 375 | 375 |
| | | | 1/1 |



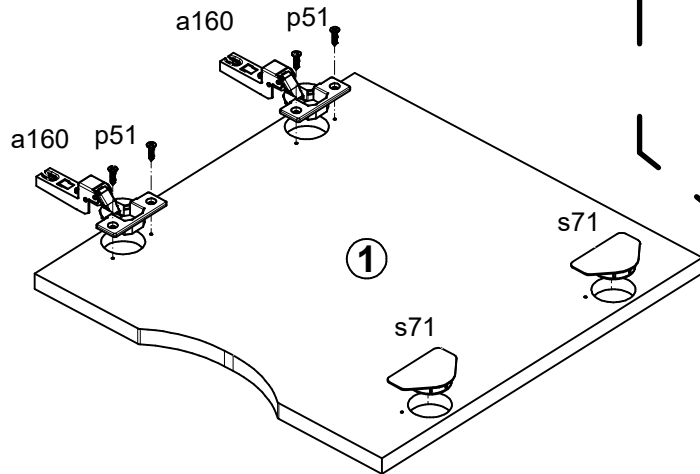
1



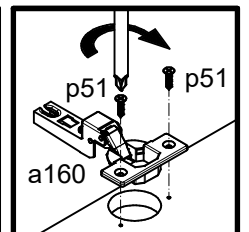
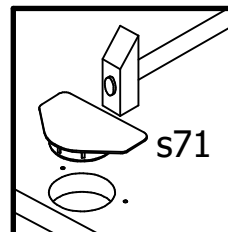
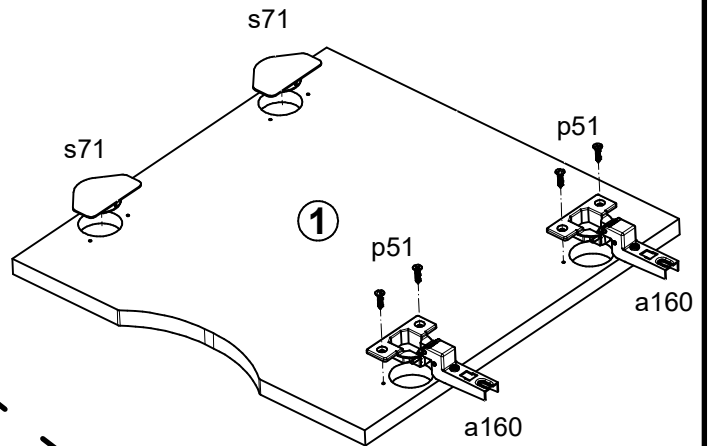
- 1x a133
- 2x a160
K 16
90°; Ø35
- 2x b43
HH
- 1x d4
Ø6,3x15 mm
- 4x e2
Ø6,3x13 mm
- 4x p51
Ø3,5x15 mm
- 2x s71
Ø35x62x40x10

1

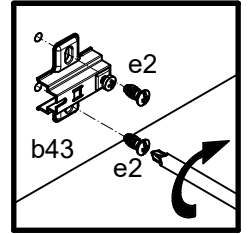
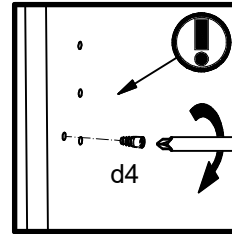
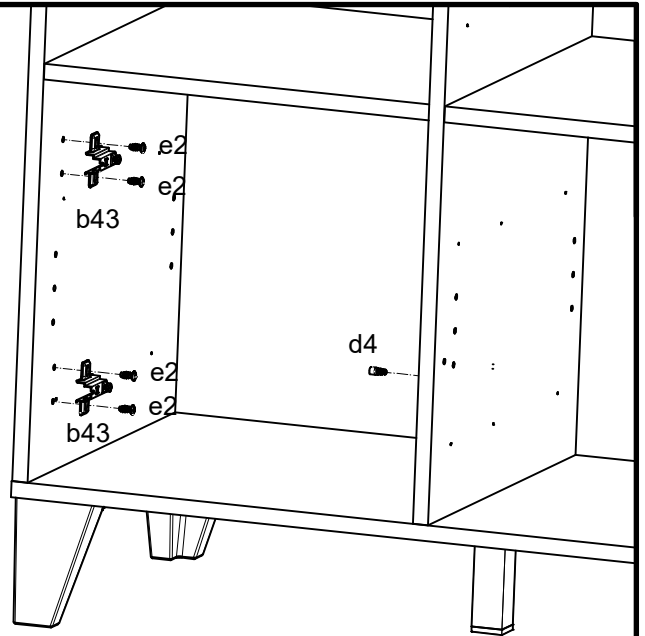
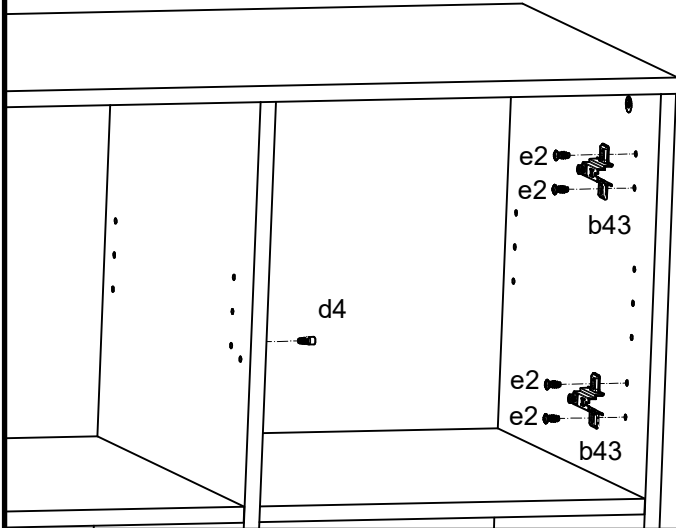
A



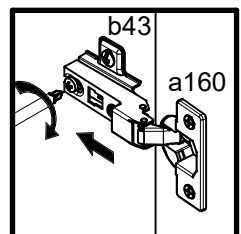
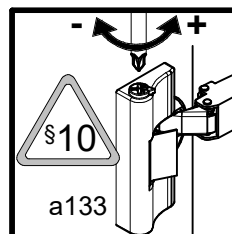
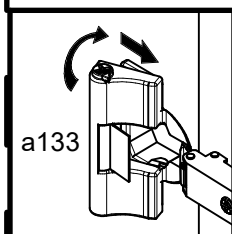
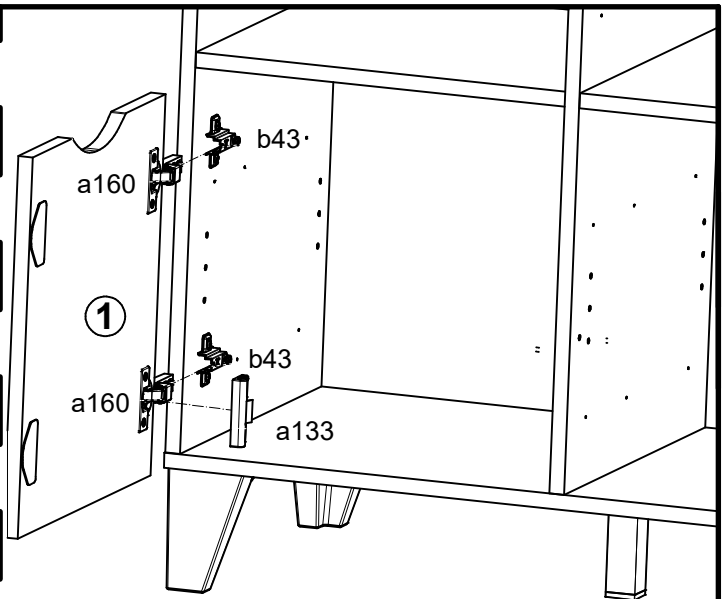
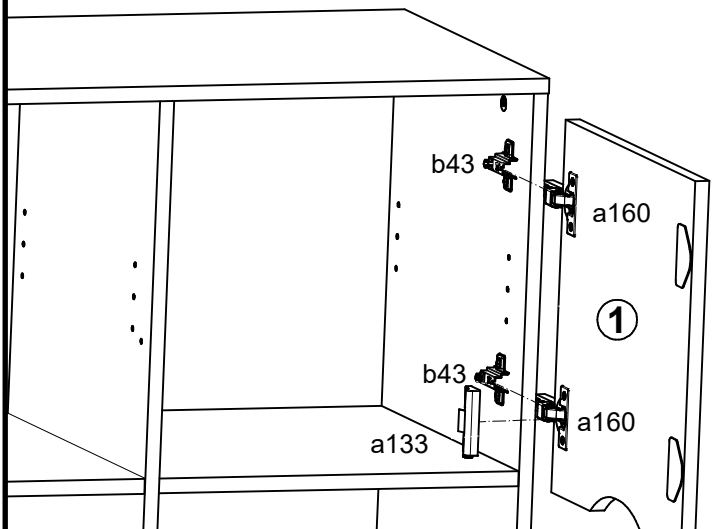
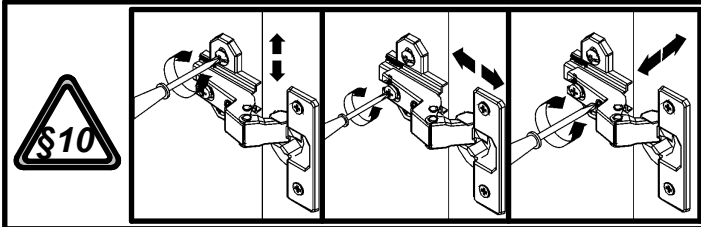
B

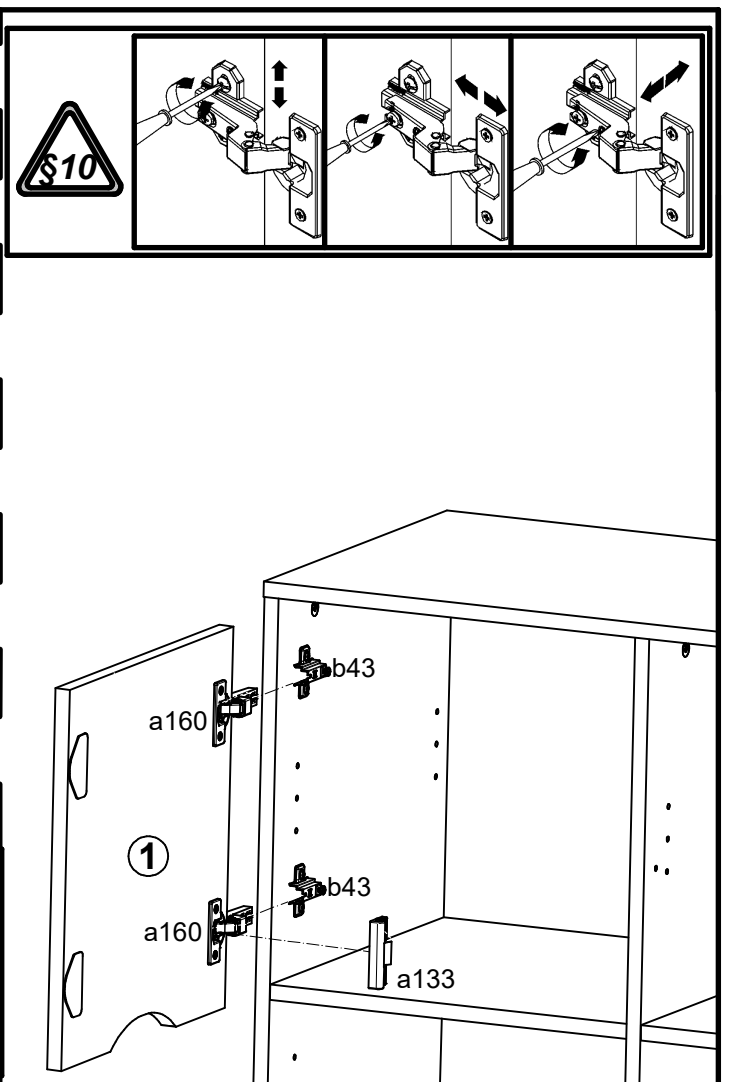
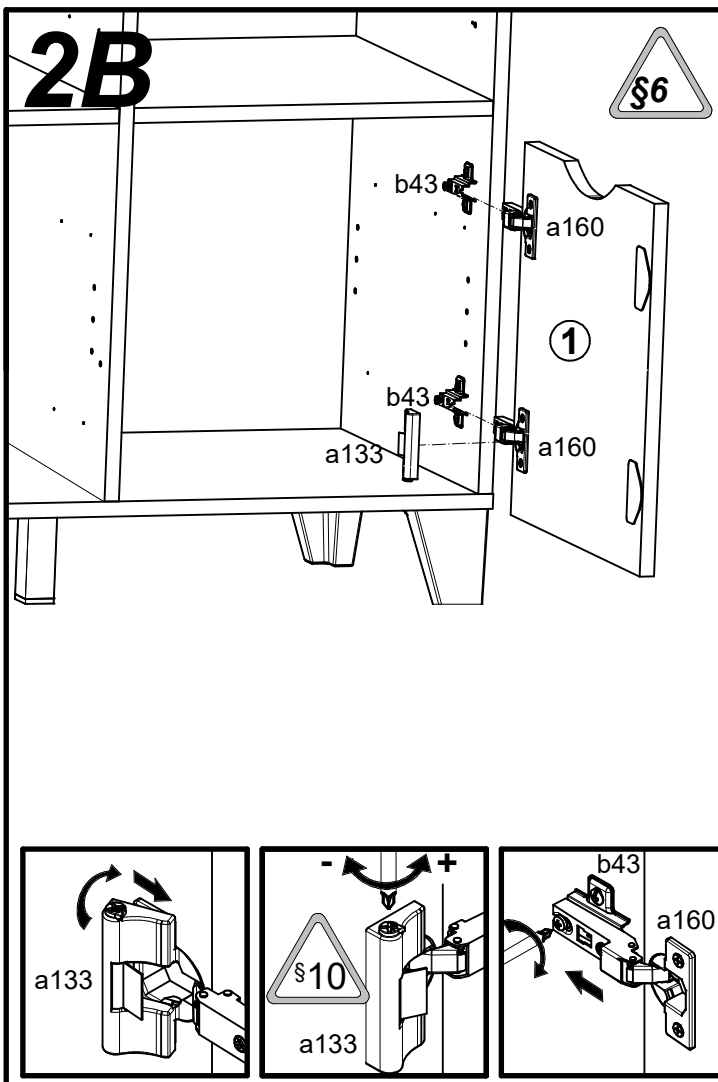
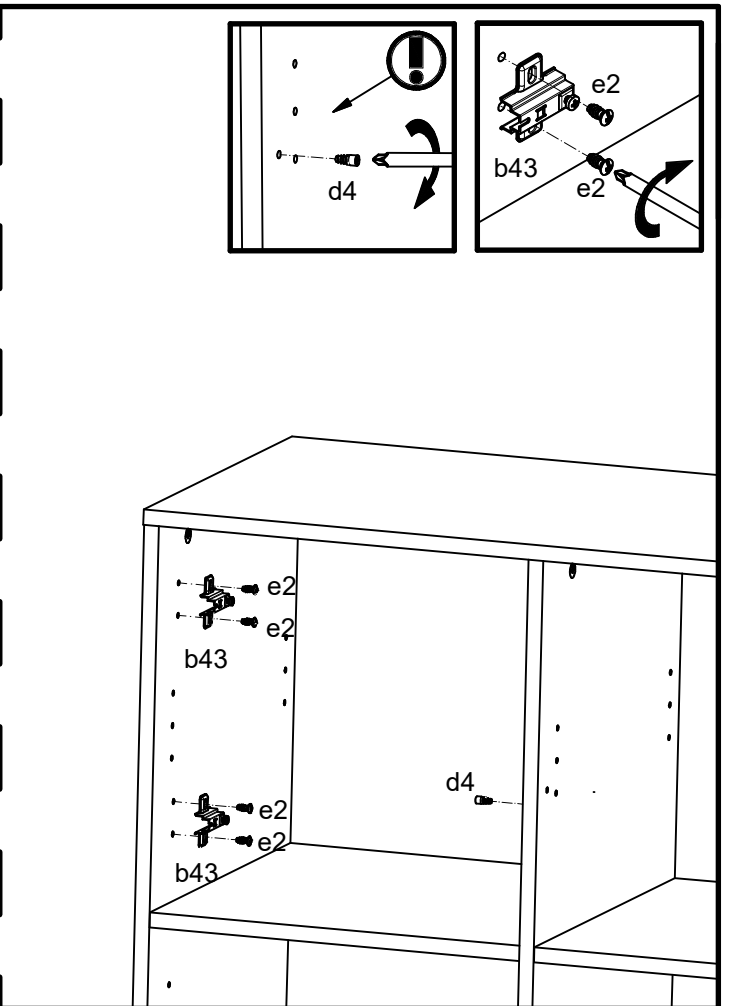
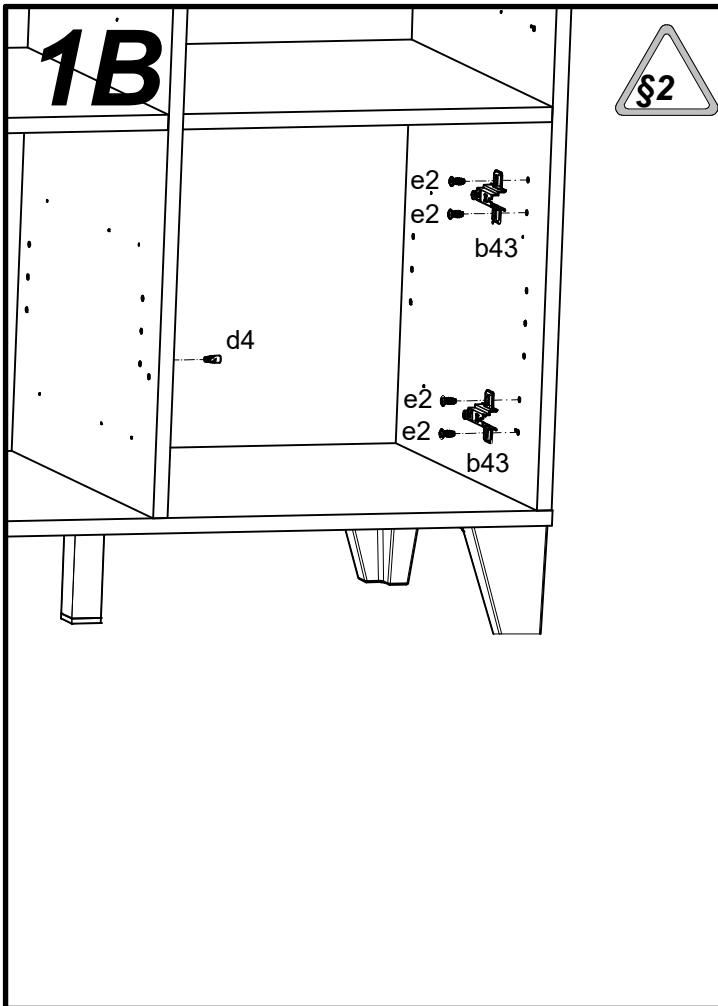


1A

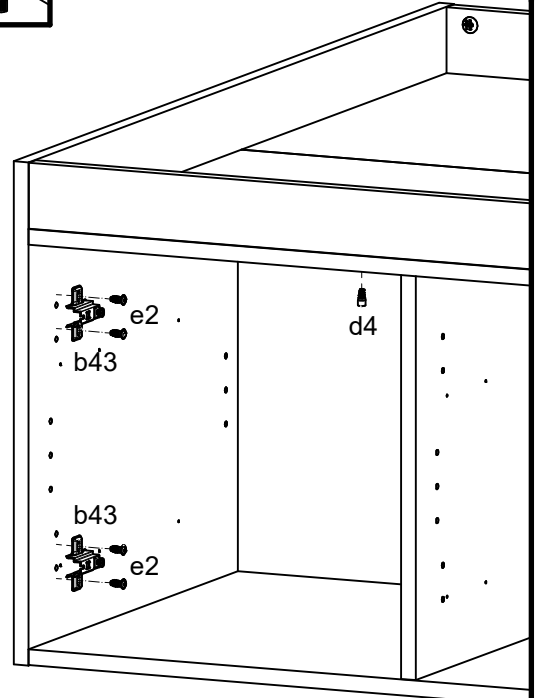
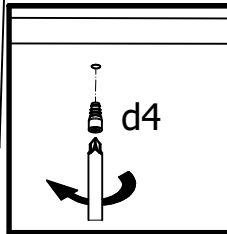
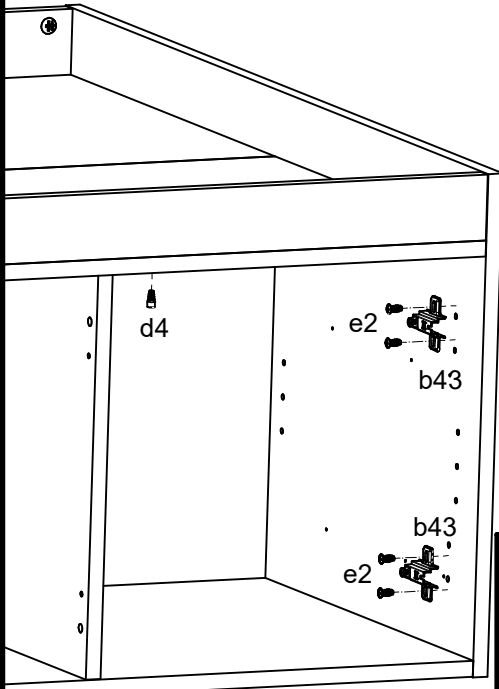
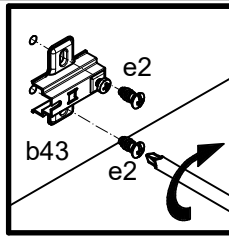


2A





3



4

