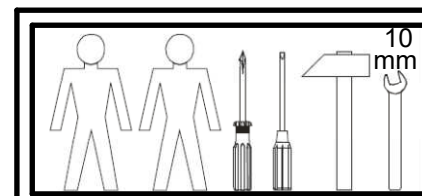
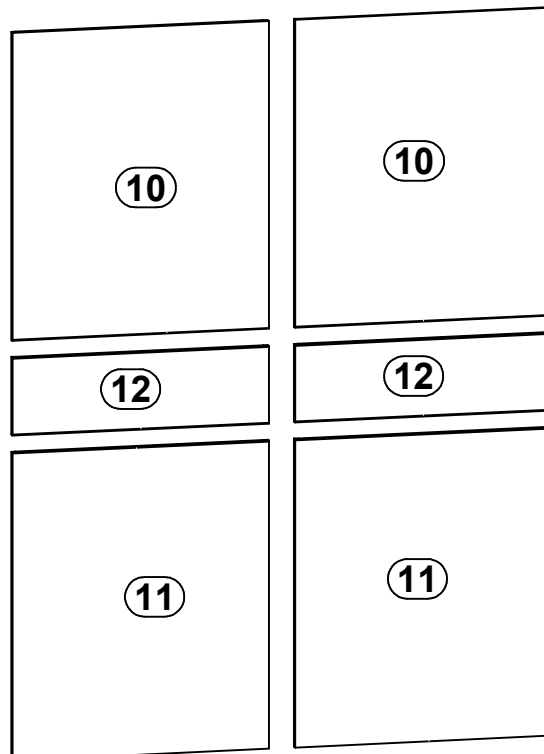
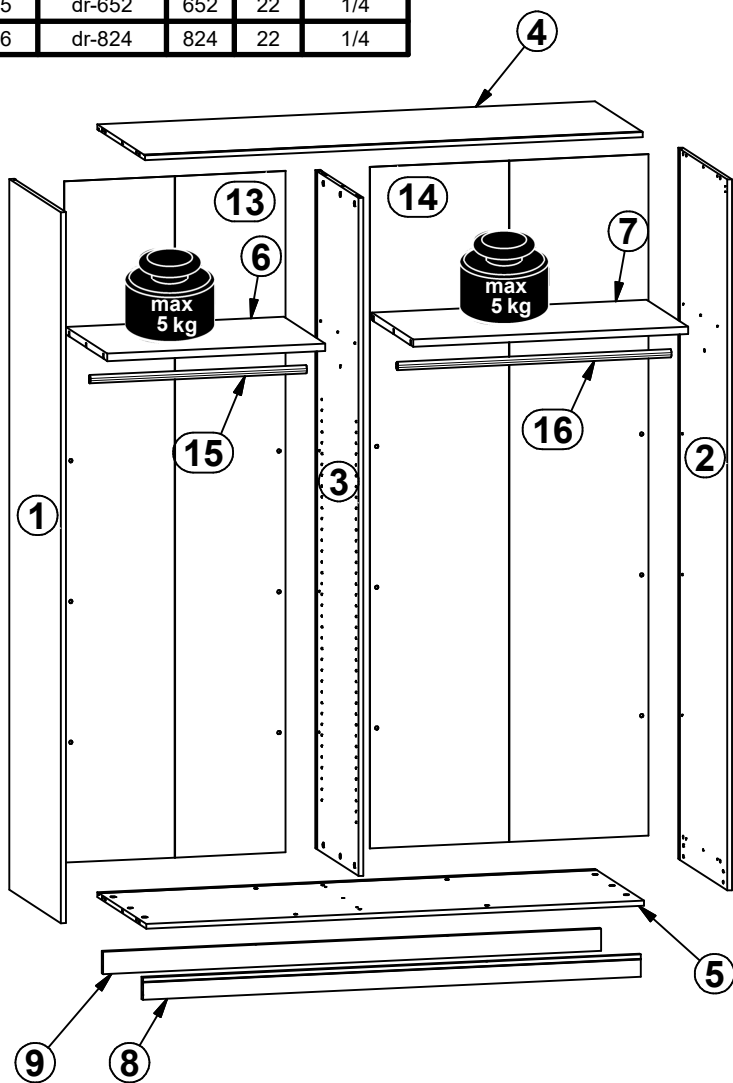
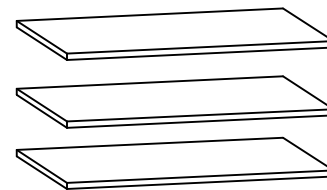
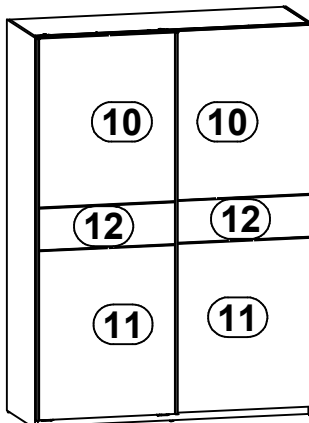
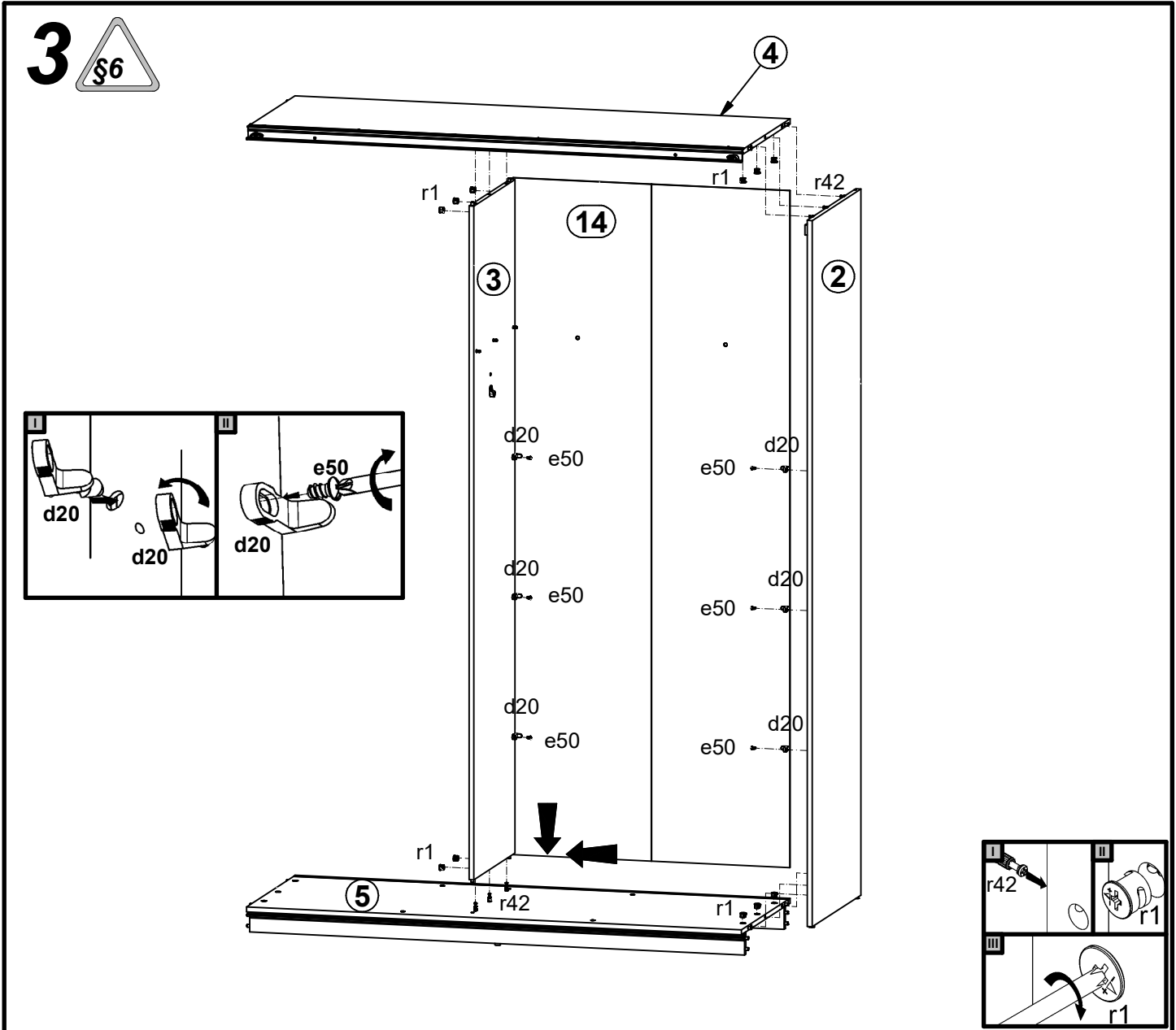
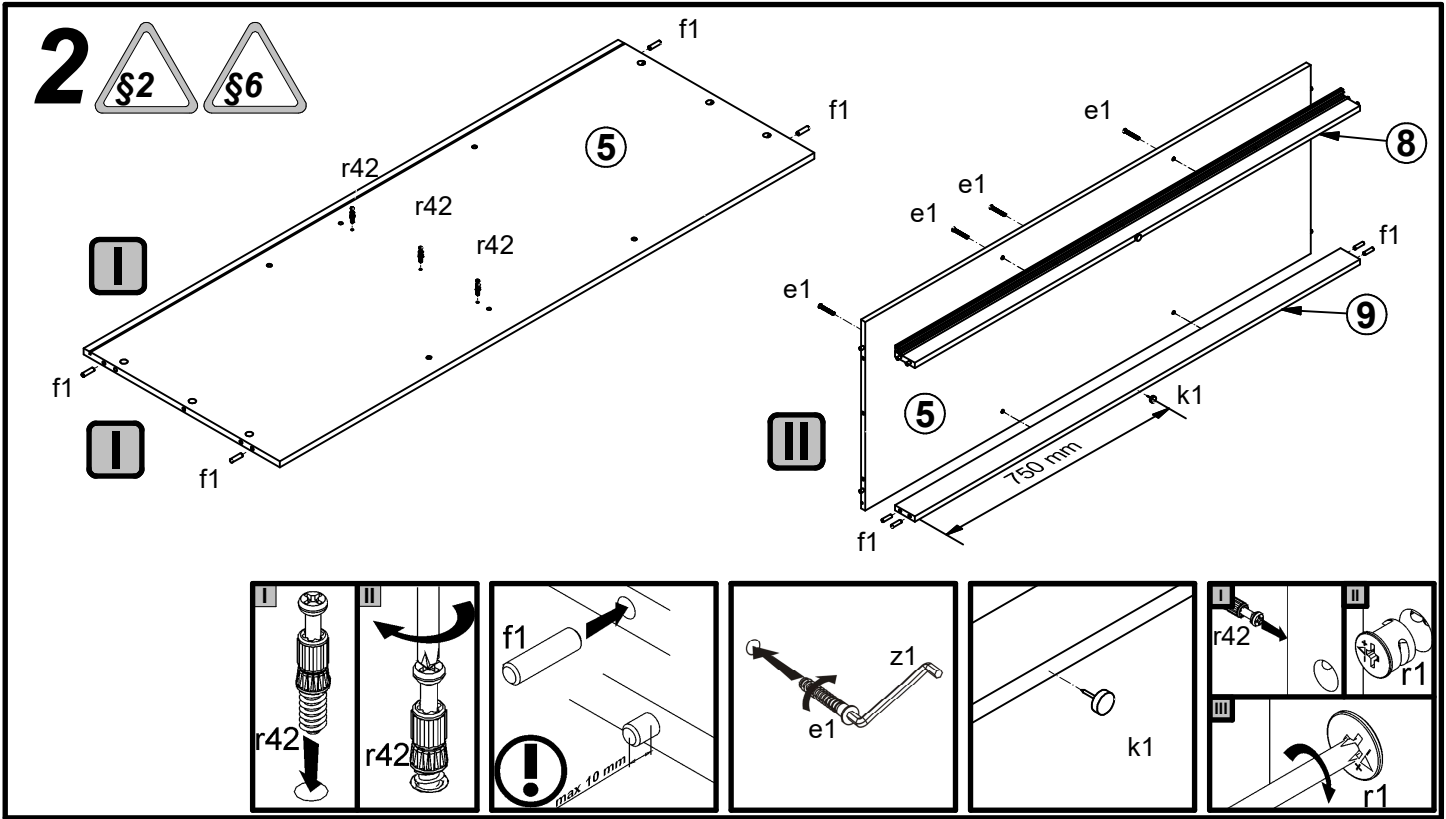
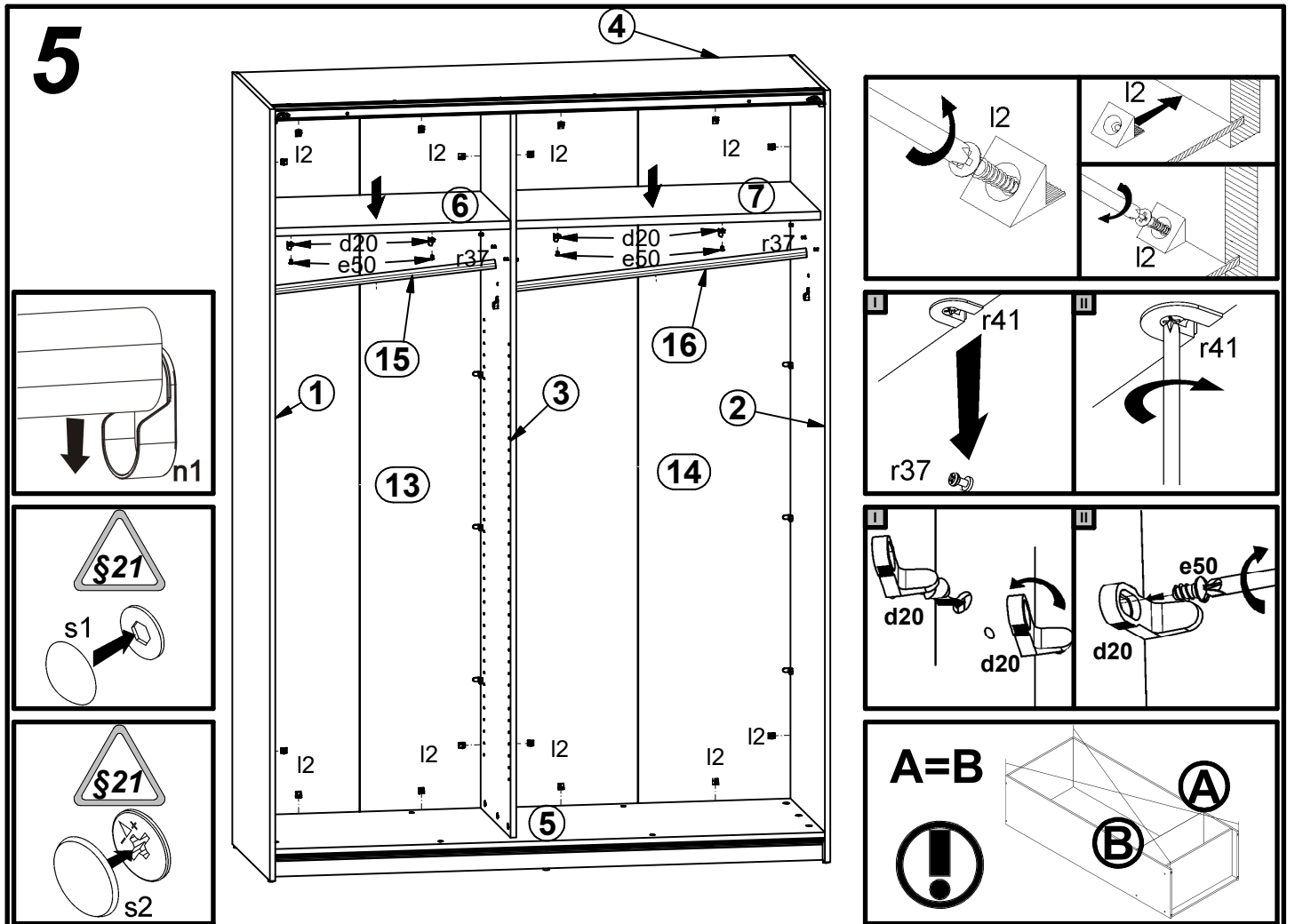
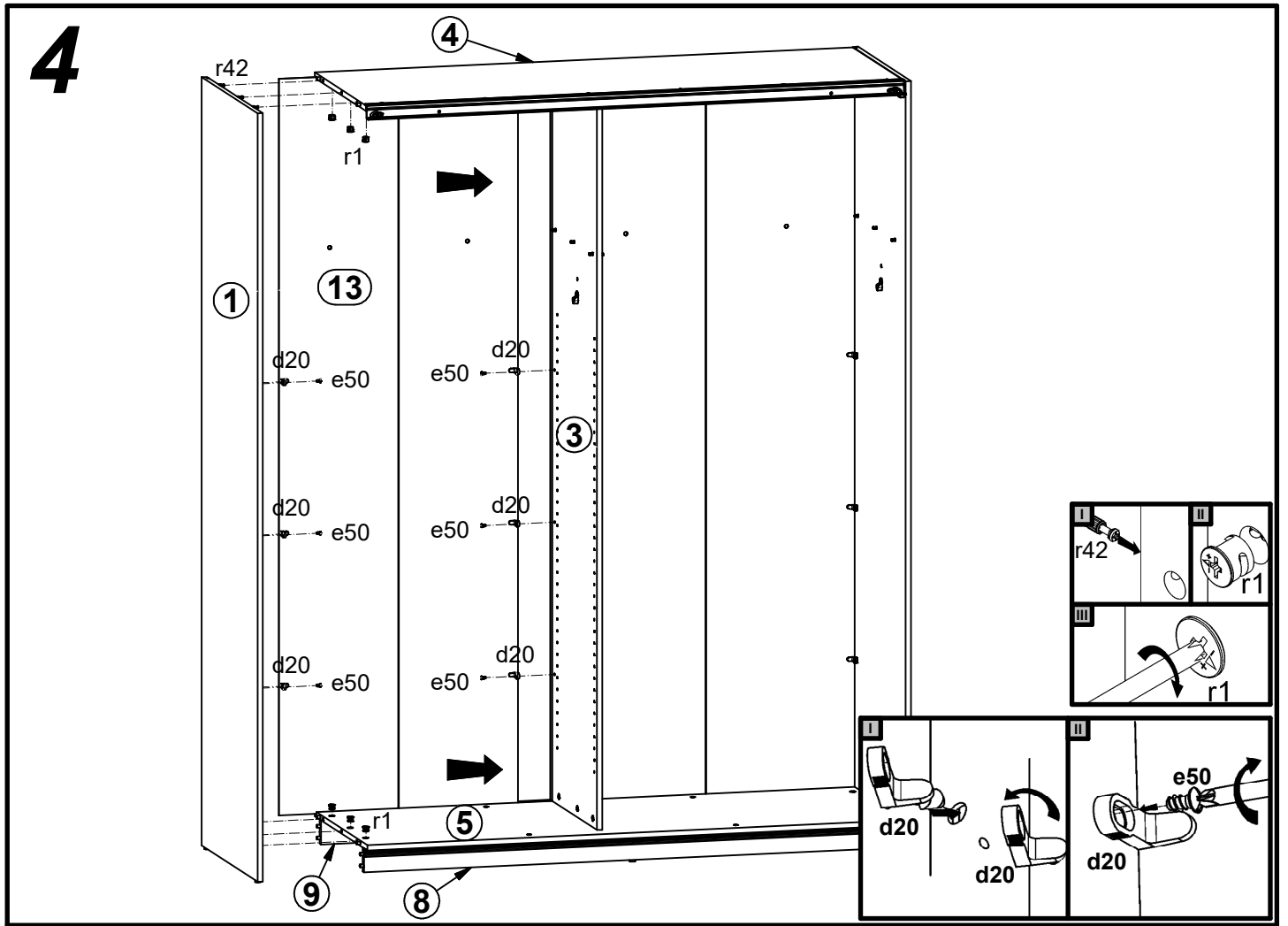


| A | B | C | D | |
|----|----------|------|-----|-----|
| 1 | L70-1003 | 2100 | 580 | 2/4 |
| 2 | L70-1004 | 2100 | 551 | 2/4 |
| 3 | L70-1005 | 2003 | 485 | 2/4 |
| 4 | L70-3001 | 1500 | 535 | 1/4 |
| 5 | L70-3002 | 1500 | 550 | 1/4 |
| 6 | L70-3003 | 657 | 465 | 1/4 |
| 7 | L70-3004 | 828 | 465 | 1/4 |
| 8 | L70-4007 | 1500 | 66 | 1/4 |
| 9 | L70-4008 | 1500 | 66 | 1/4 |
| 10 | L70-7005 | 910 | 773 | 3/4 |
| 11 | L70-7006 | 910 | 773 | 3/4 |
| 12 | L70-7007 | 773 | 230 | 3/4 |
| 13 | L70-9302 | 2013 | 667 | 2/4 |
| 14 | L70-9303 | 2013 | 839 | 2/4 |
| 15 | dr-652 | 652 | 22 | 1/4 |
| 16 | dr-824 | 824 | 22 | 1/4 |

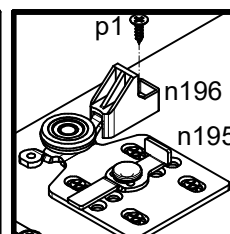
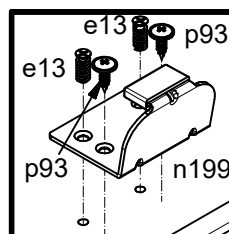
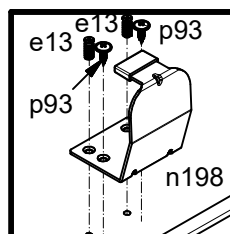
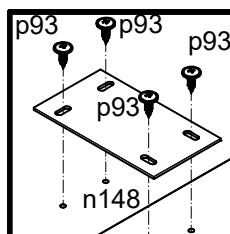
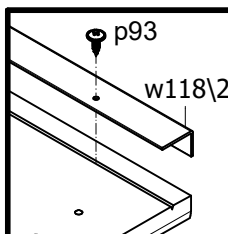
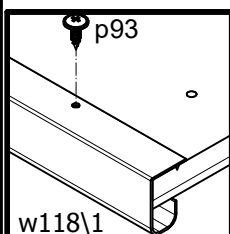
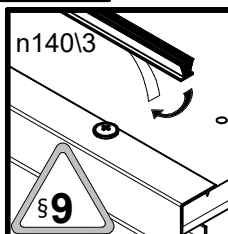
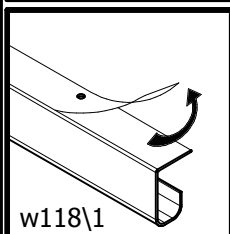
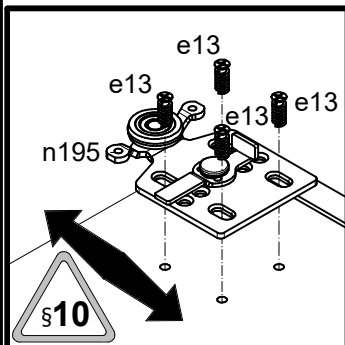
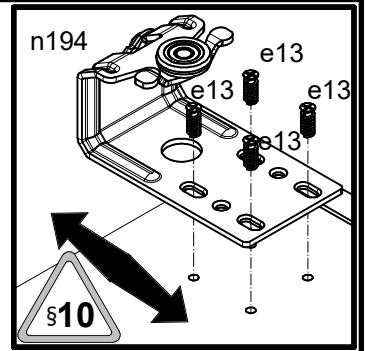
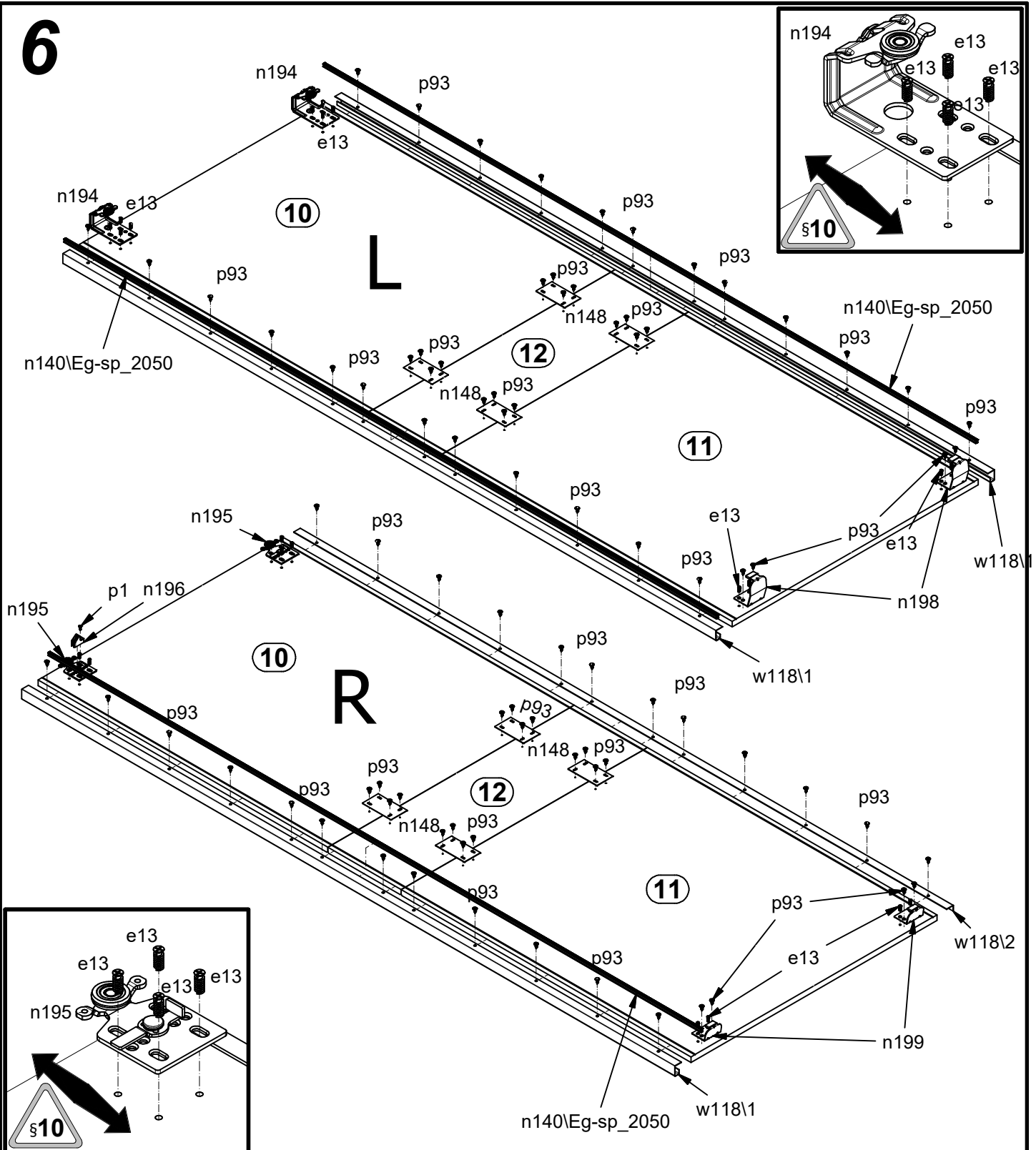


| | | | | | | | | |
|-----------------------------|------------------------------|--------------------------------|------------------------------|--------------------------------|---------------------------|-----------------------------------|-------------------------|-----------------------------|
| 16x d20 | 4x Ø7x50 mm e1 | 24x Ø5.5x13 mm e13 | 16x Ø6.3x10 mm e50 | 20x Ø8x30 mm f1 | 2x f58 | 2x M5x20 mm j148 | 2x M5 j159 | 6x k1 |
| 16x i2 | 4x h=22mm n1 | 8x 90x50x1.5 mm n148 | 2x n194 | 2x n195 | 1x n196 | 2x n197 | 2x n198 | 2x n199 |
| 2x Ø5xØ10 o100 | 12x Ø3.5x13 mm p1 | 4x Ø3.5x25 mm p16 | 94x Ø4x13 mm p93 | 18x Ø15x12 mm #16 r1 | 12x 6.777.8 r37 | 12x Ø20x13.5 mm #19 r41 | 18x 20/11 r42 | 3x 2050 mm w118/1 |
| 1x 2050 mm w118/2 | 1x L-1498mm w157/1 | 1x L-1498mm w158/1 | 3x EG-sp_2050 | 4x s1 | 18x Ø16 s2 | 1x 4 mm z1 | | |

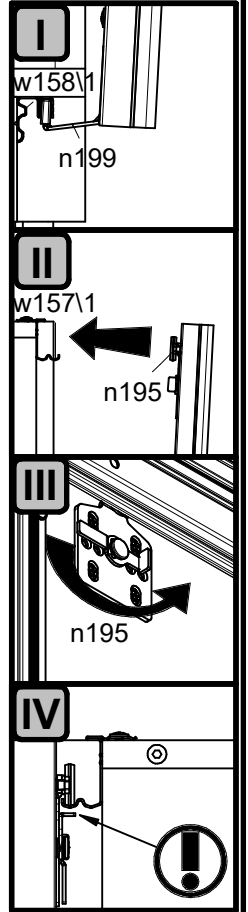
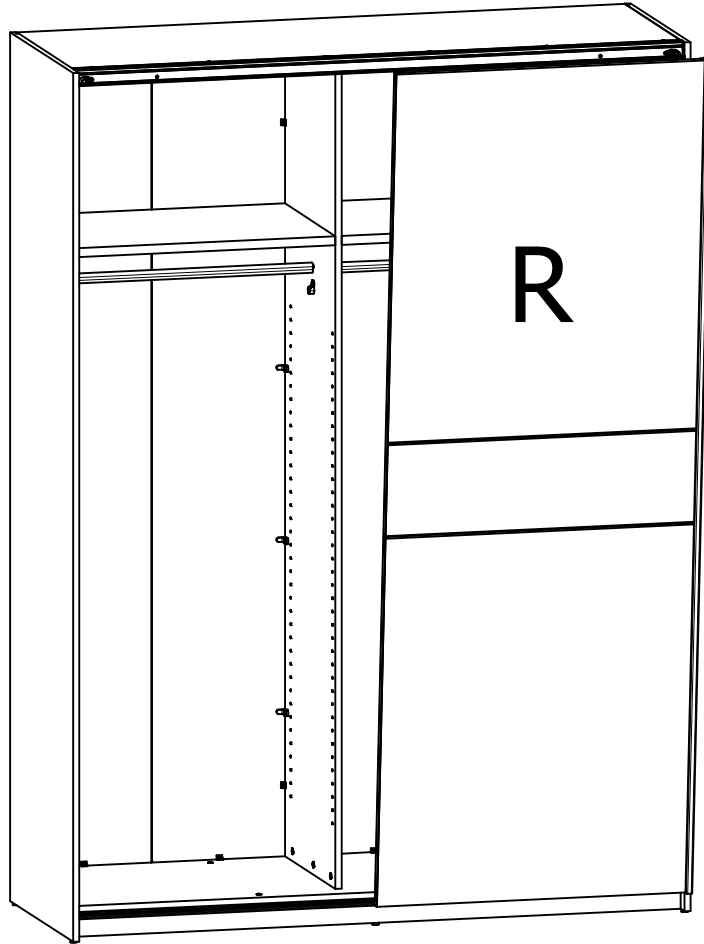




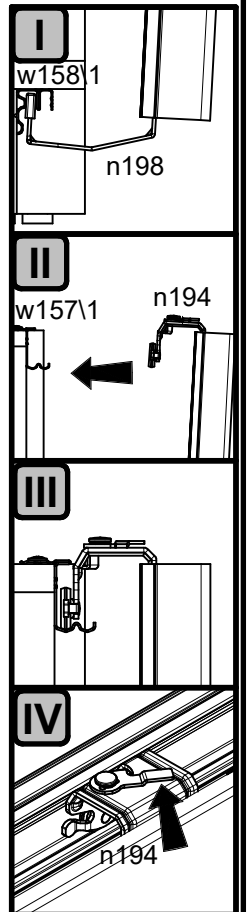
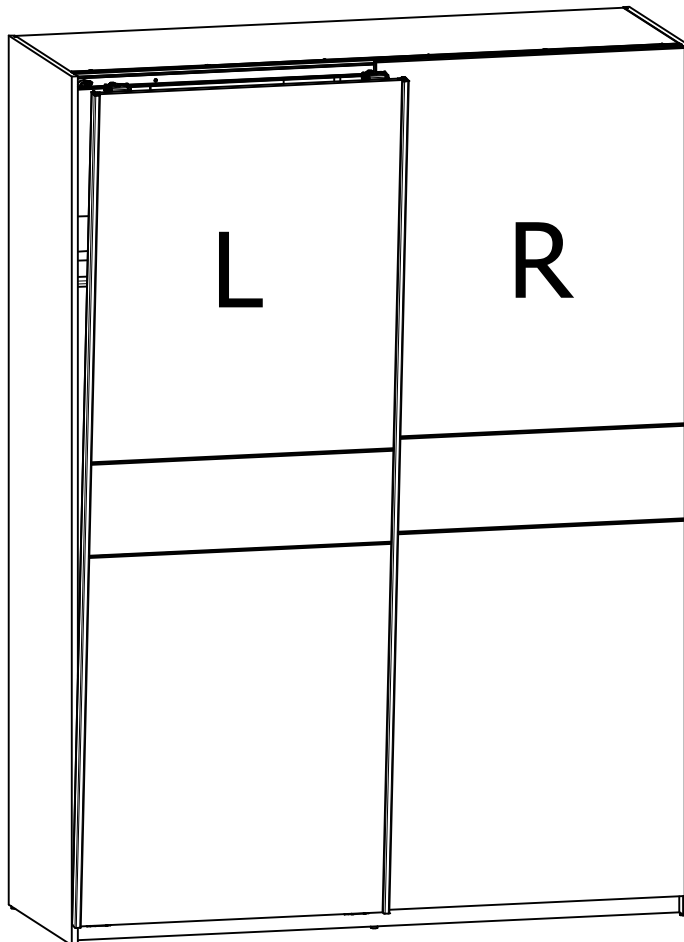
6



7



8



A

SALINS

L70-POL_66

| A | B | C | D |
|---|----------|-----|---------|
| 1 | L70-3005 | 657 | 465 1/1 |

