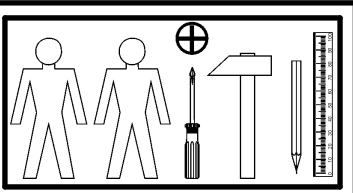
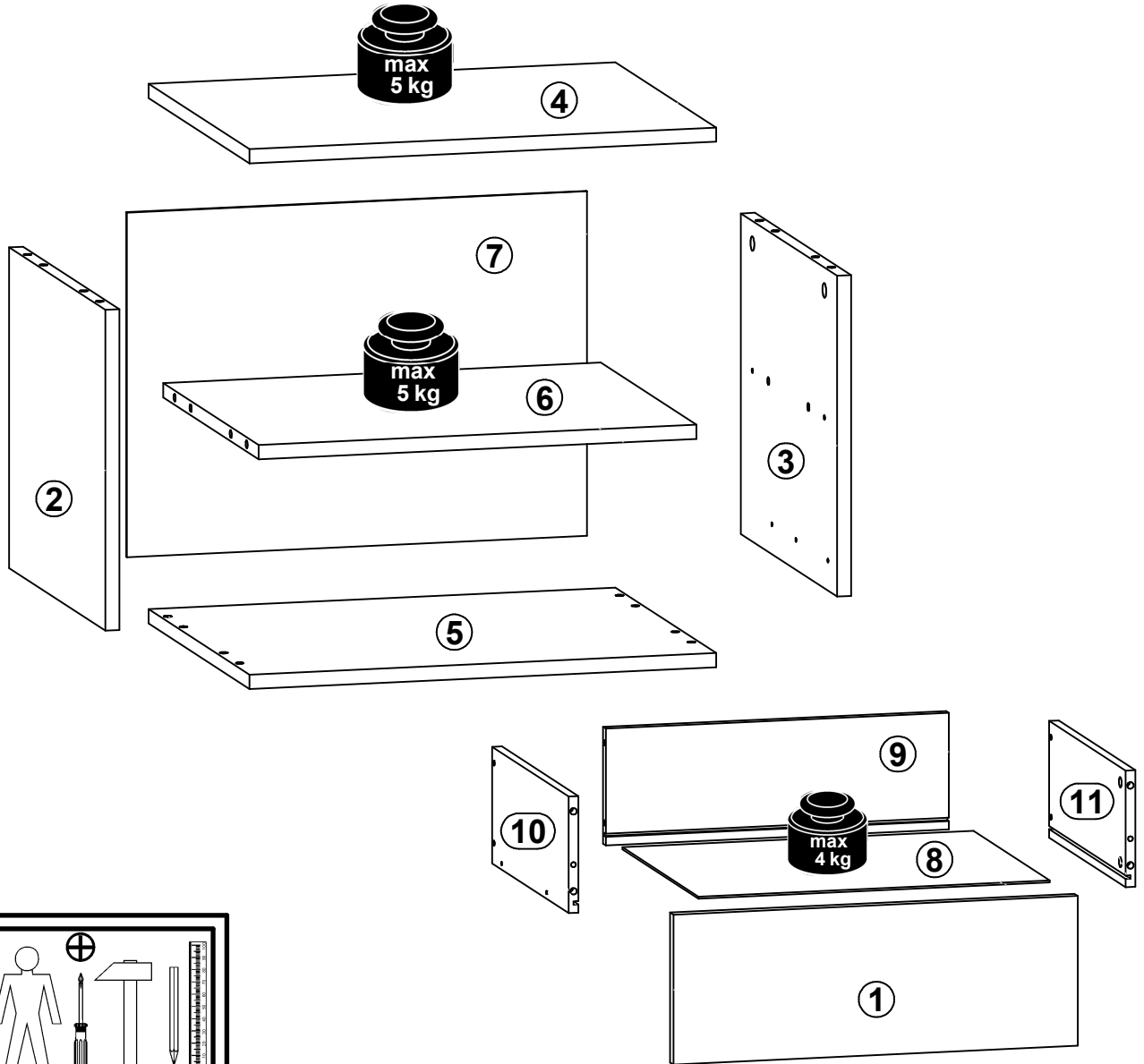
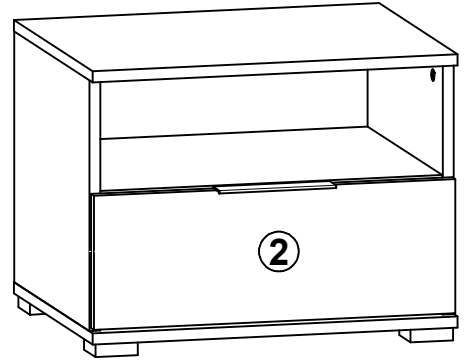
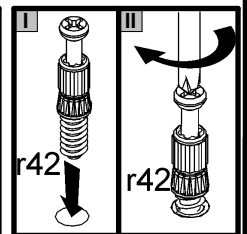
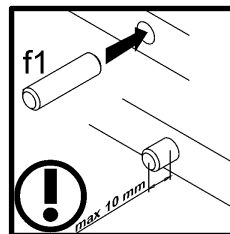
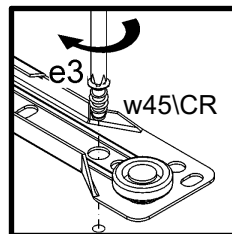
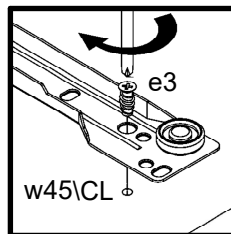
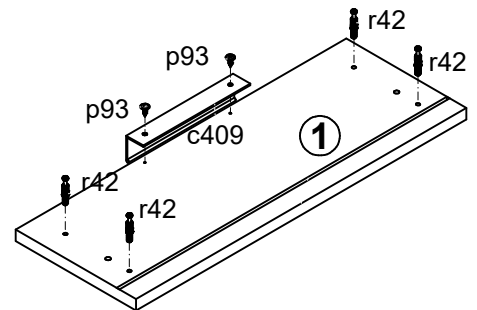
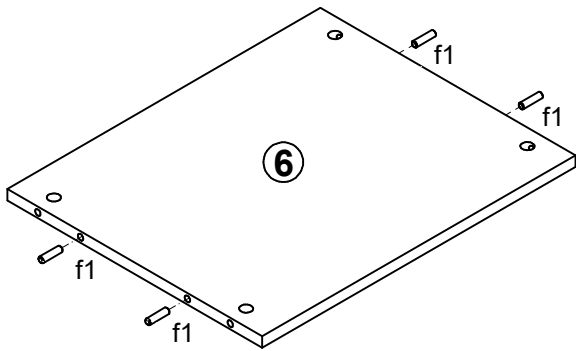
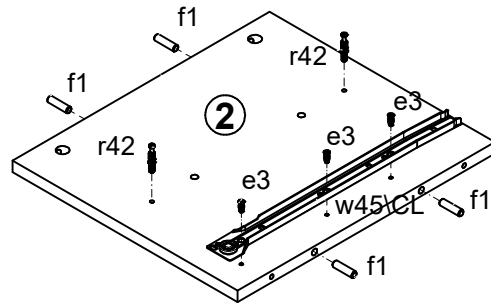
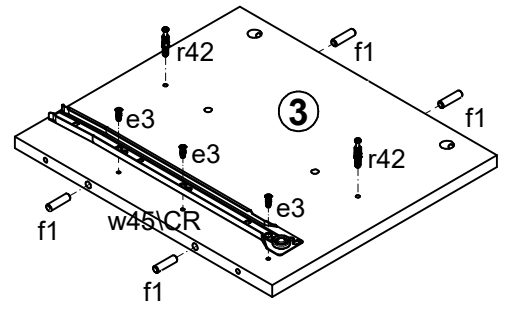
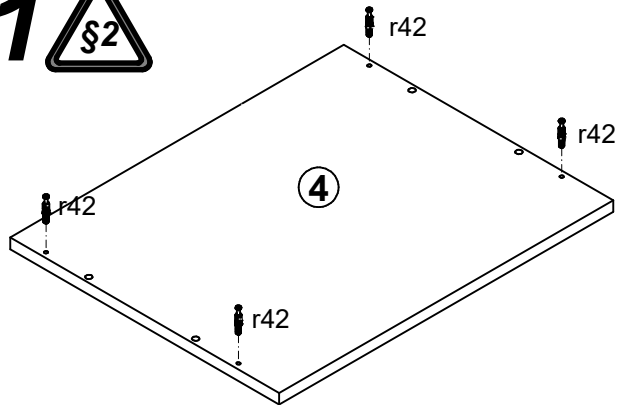


A	B	C	D	
1	S383-0021	495	180	1/1
2	S383-1035	337	385	1/1
3	S383-1036	337	385	1/1
4	S383-2023	500	403	1/1
5	S383-2024	500	403	1/1
6	S383-3015	469	382	1/1
7	S383-9010	362	493	1/1
8	S383-9011	430	348	1/1
9	ZS4-5524	420	140	1/1
10	ZS6-501	350	140	1/1
11	ZS6-502	350	140	1/1

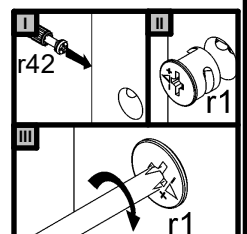
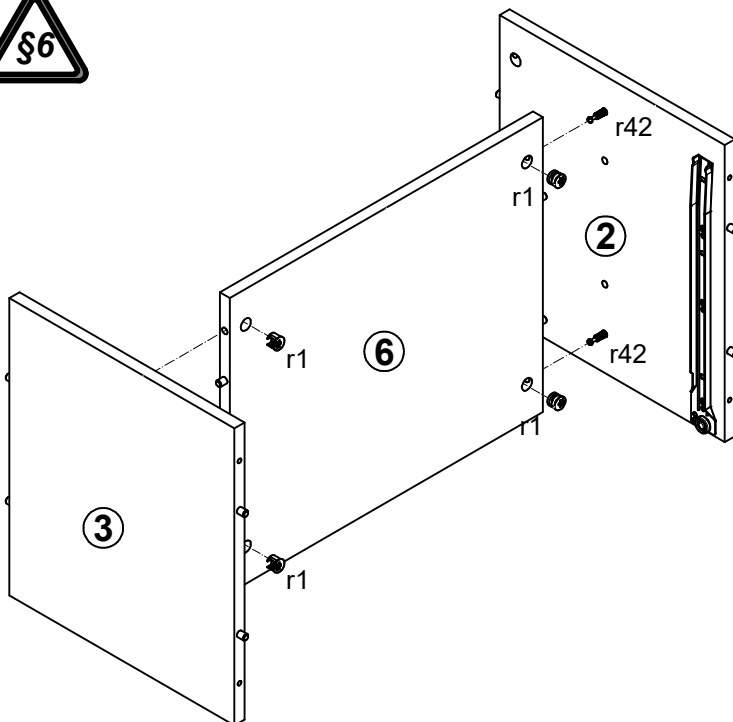


1x 128mm c409	4x Ø7x50 mm e1	14x Ø6x13 mm e3	4x Ø5x9 mm e19	12x Ø8x30 mm f1	2x Ø6x30 mm f9	4x Ø6.5x40 mm f25	4x Ø51 mm k82\1	4x 58x58\18 mm k82\2
25x 1.4x20 mm l1	2x silikon o21	2x Ø4x13 mm p93	8x Ø15x12 mm #16 r1	4x Ø12x10.5 mm #12 r15	12x 20\11 r42	4x Ø16 s2	1x 350 mm w45\CL	1x 350 mm w45\CR
1x 350 mm w45\DL	1x 350 mm w45\DR	1x 4 mm z1					1x n26\1	1x Ø3.5x16 mm p38

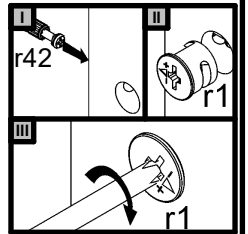
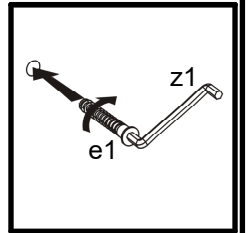
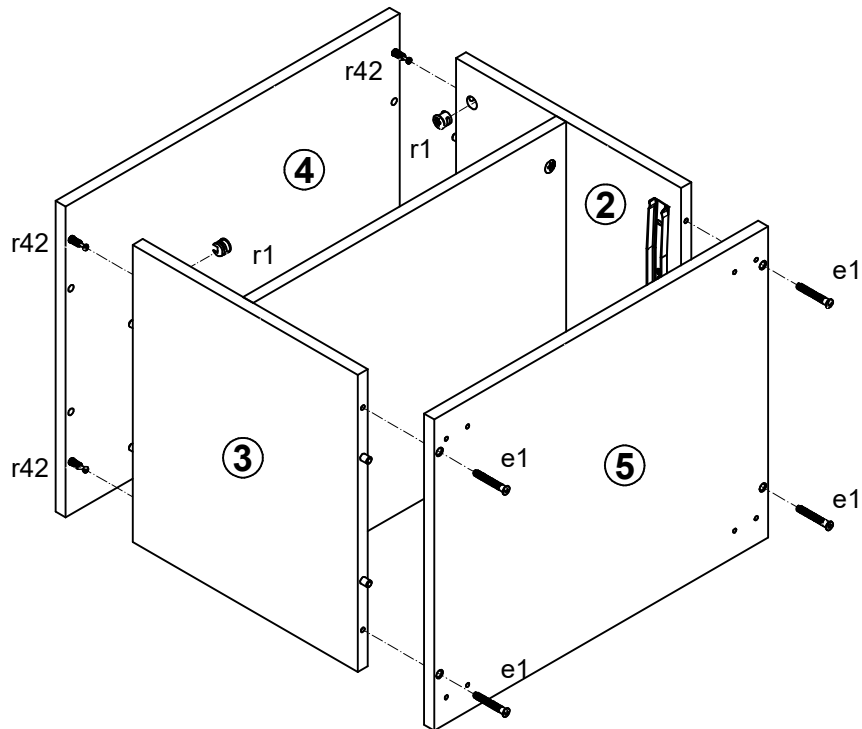
1



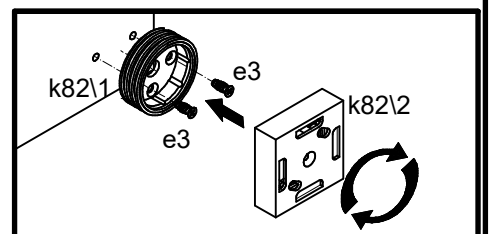
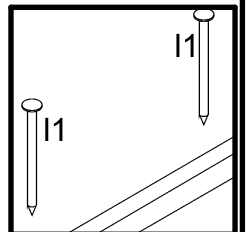
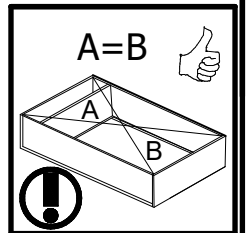
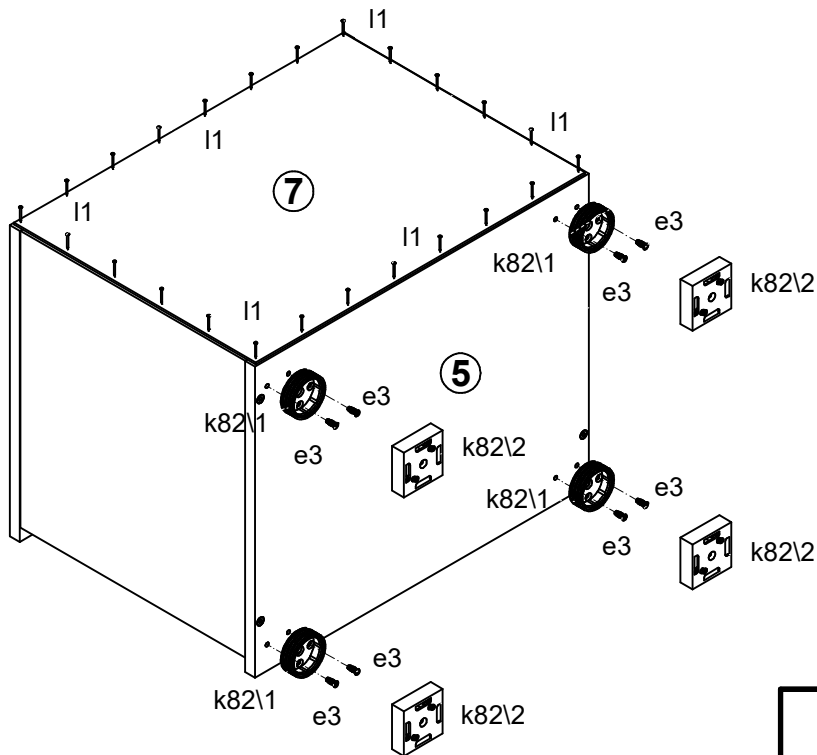
2



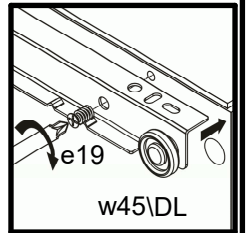
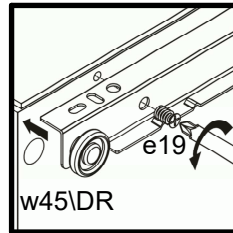
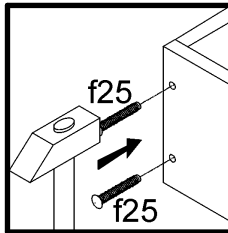
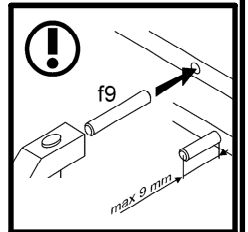
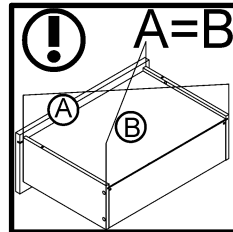
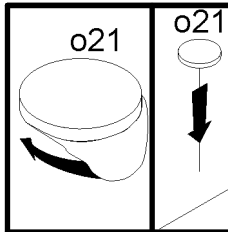
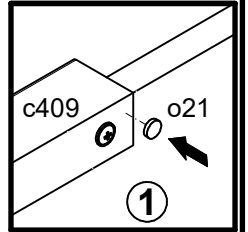
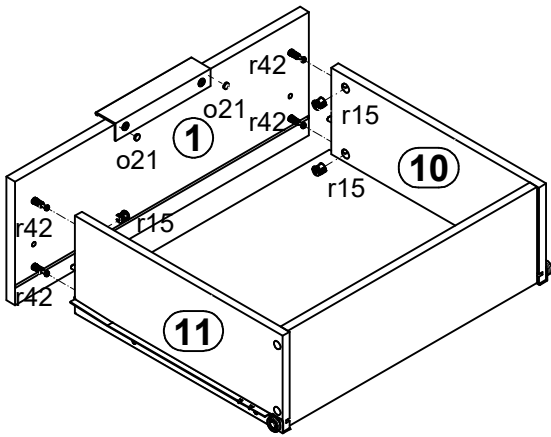
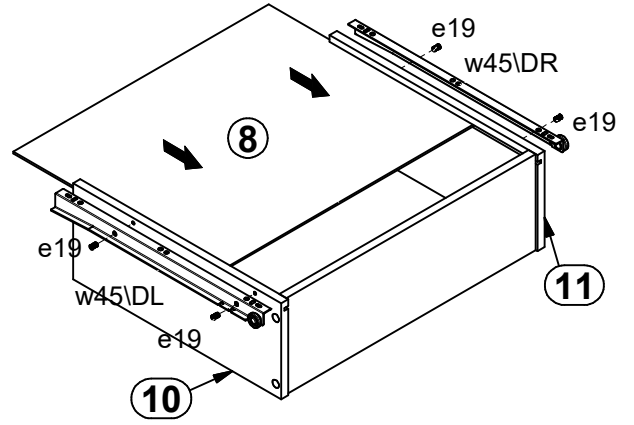
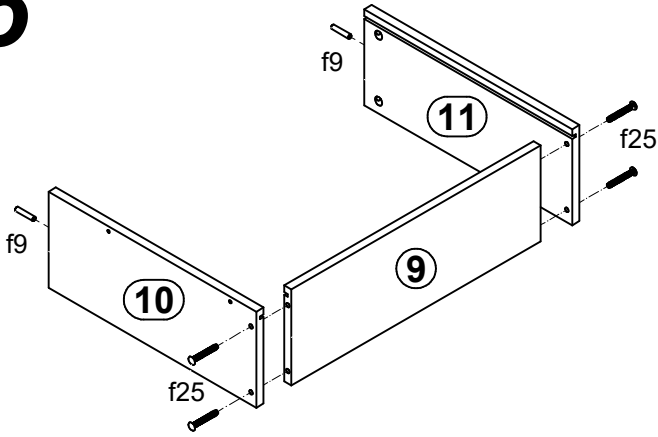
3



4



5



6

