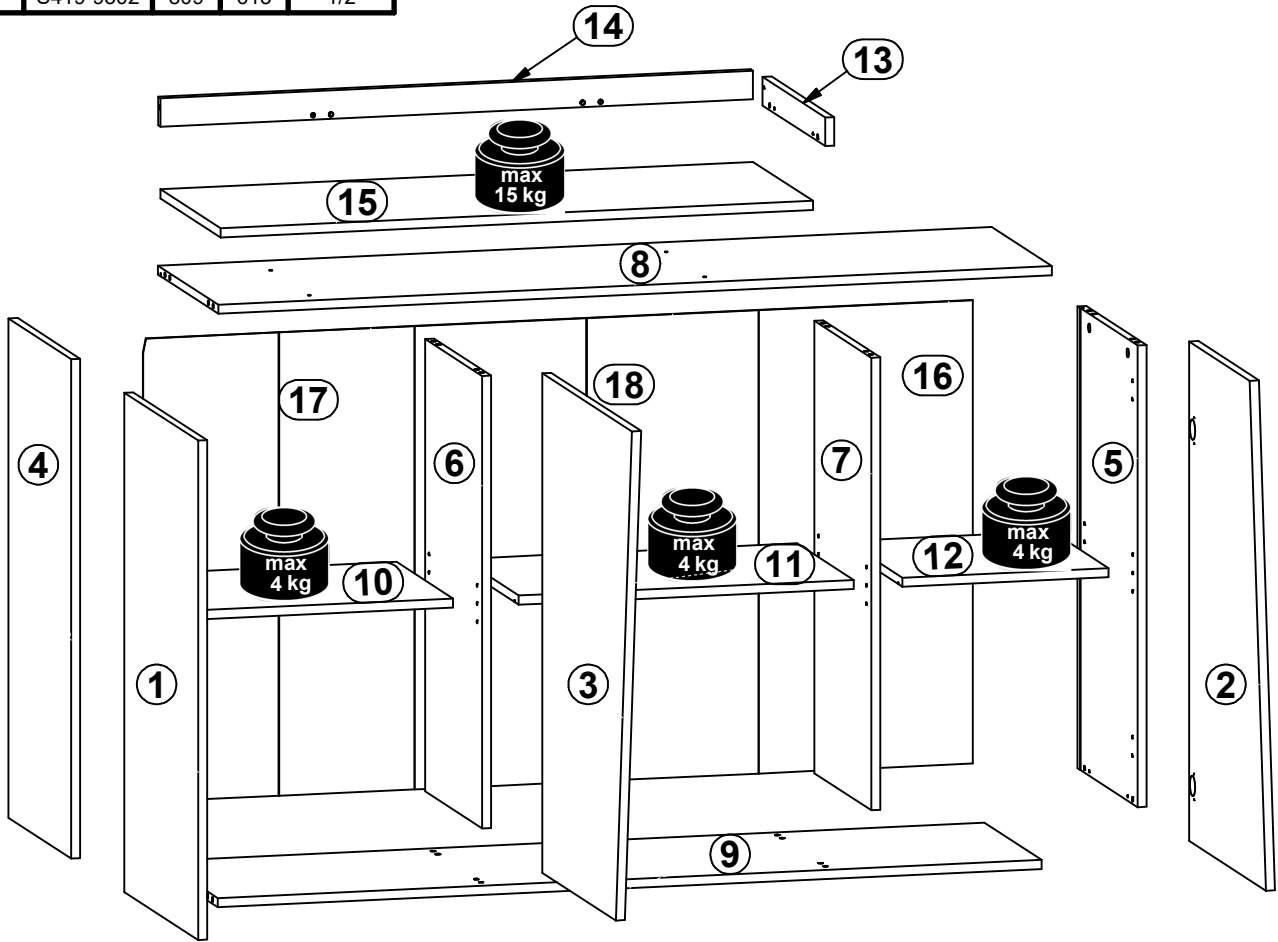
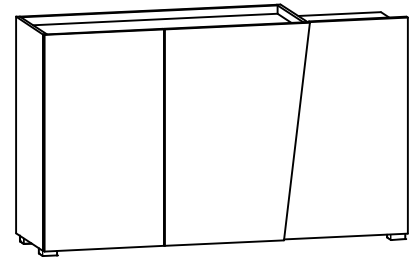
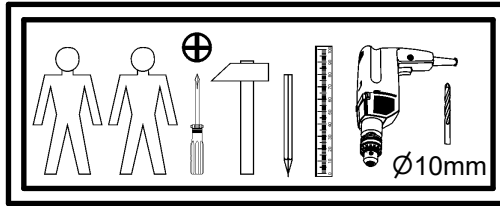
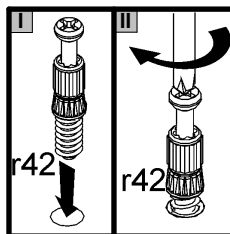
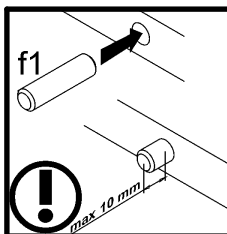
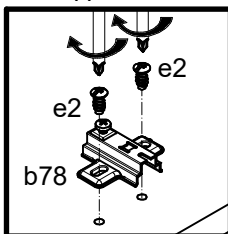
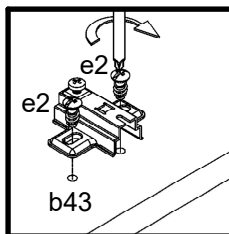
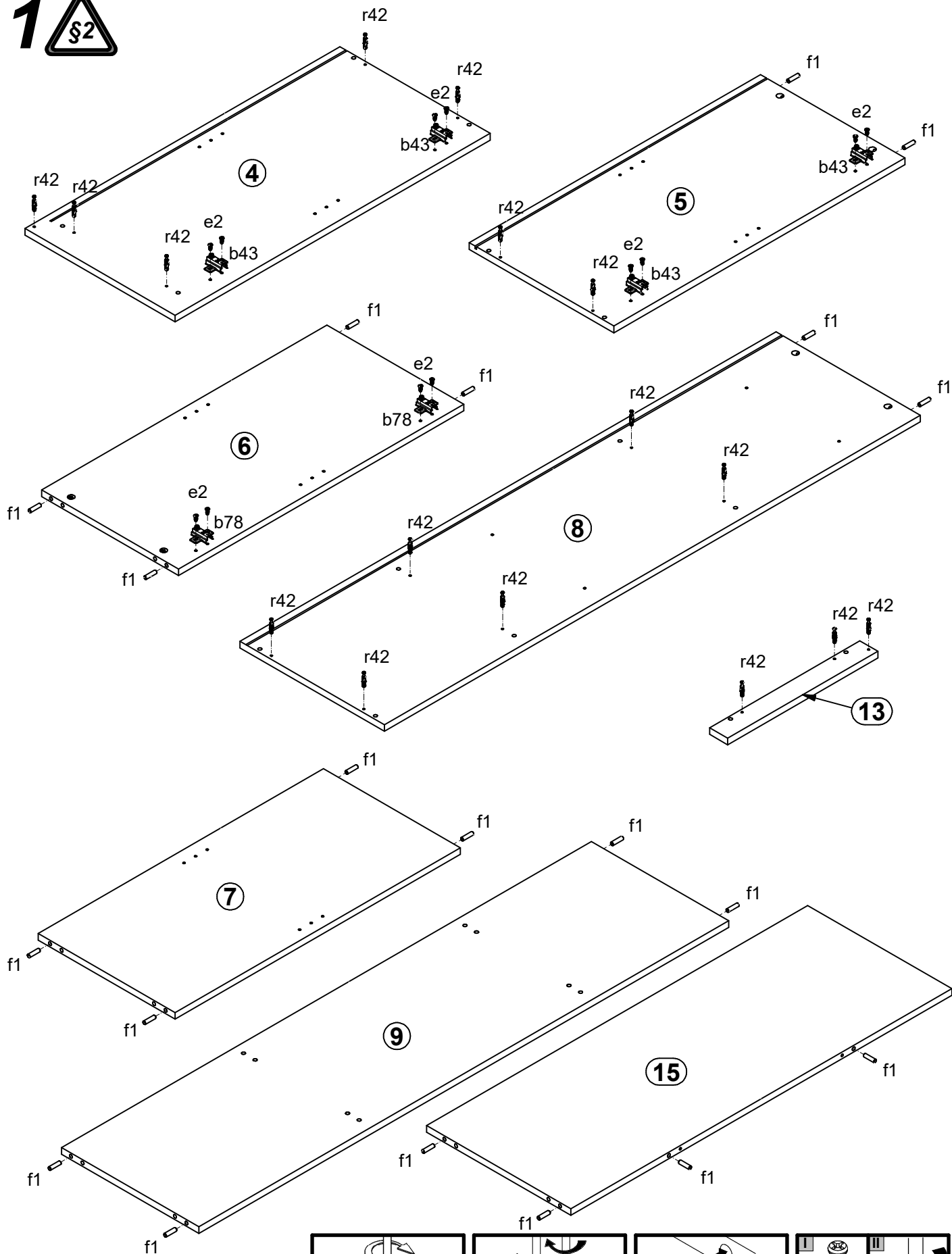


A	B	C	D	
1	S419-0001	872	490	1/2
2	S419-0002	872	509	1/2
3	S419-0003	872	596	1/2
4	S419-1001	872	416	1/2
5	S419-1002	806	400	1/2
6	S419-1003	790	379	1/2
7	S419-1004	790	379	1/2
8	S419-2001	1484	400	2/2
9	S419-3001	1467	380	2/2
10	S419-3002	469	375	2/2
11	S419-3003	596	375	2/2
12	S419-3004	367	375	2/2
13	S419-4001	416	50	2/2
14	S419-4002	1055	50	2/2
15	S419-5001	1055	399	2/2
16	S419-9001	809	381	1/2
17	S419-9301	809	483	1/2
18	S419-9302	809	613	1/2



3x  a133	4x  a158	2x  a159	4x  b43	2x  b78	12x  d1	6x  e1	12x  e2	20x  f1
2x  k53	4x  k55	15x  l1	9x  l2	8x  n108	2x  p36	12x  p51	8x  p55	8x  p6
4x  p9	16x  r1	16x  r42	8x  s2	1x  z1				
							1x  n26	1x  p38

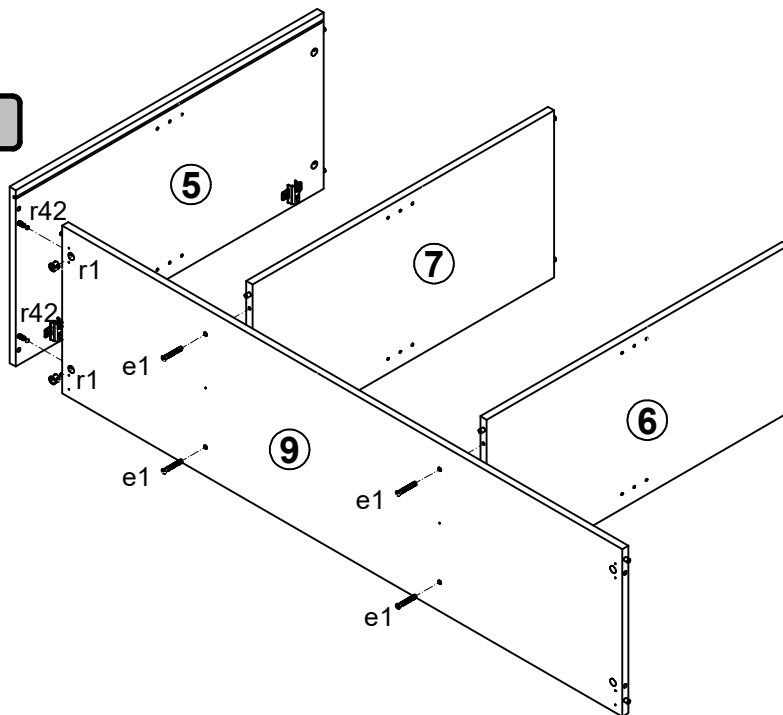
1 



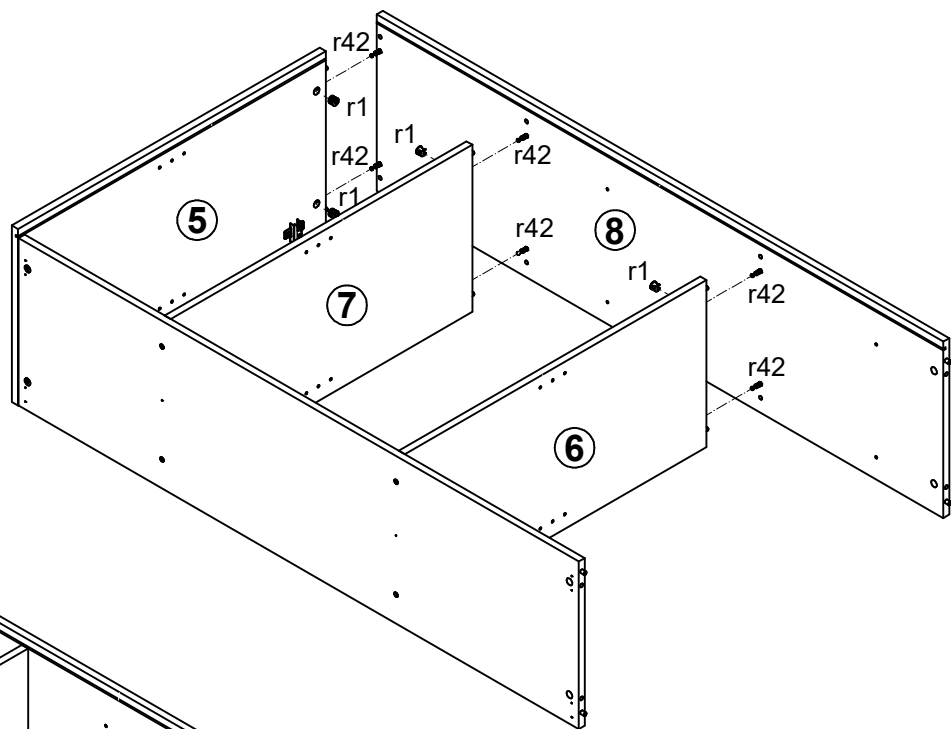
# 2



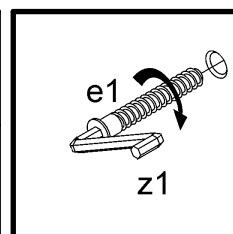
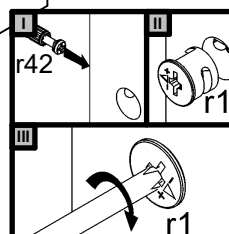
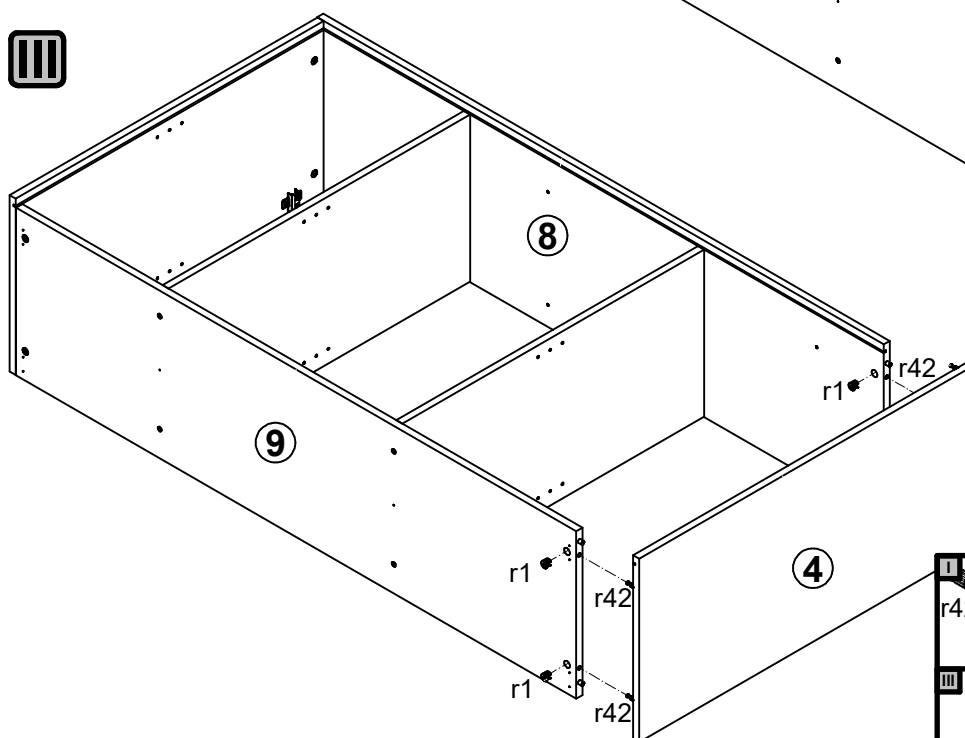
I



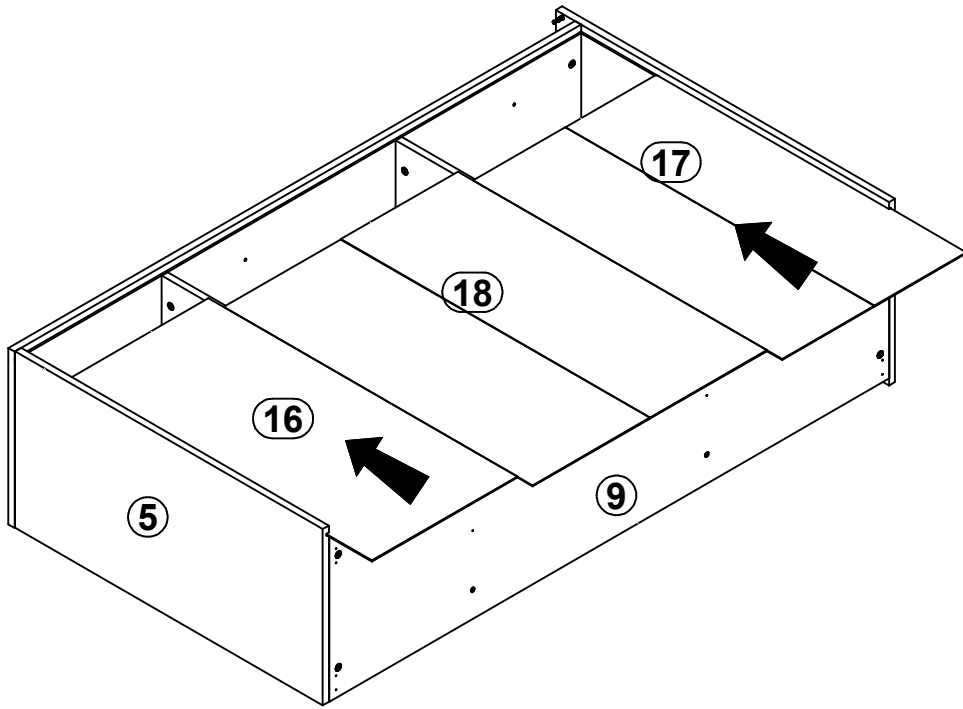
II



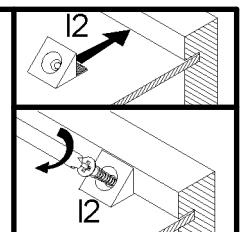
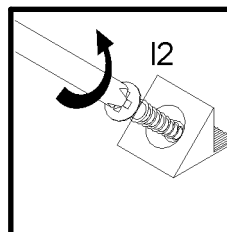
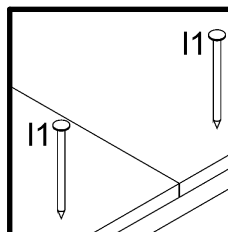
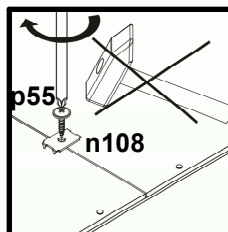
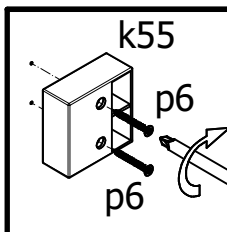
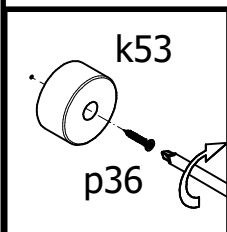
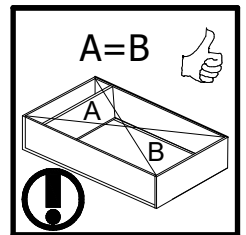
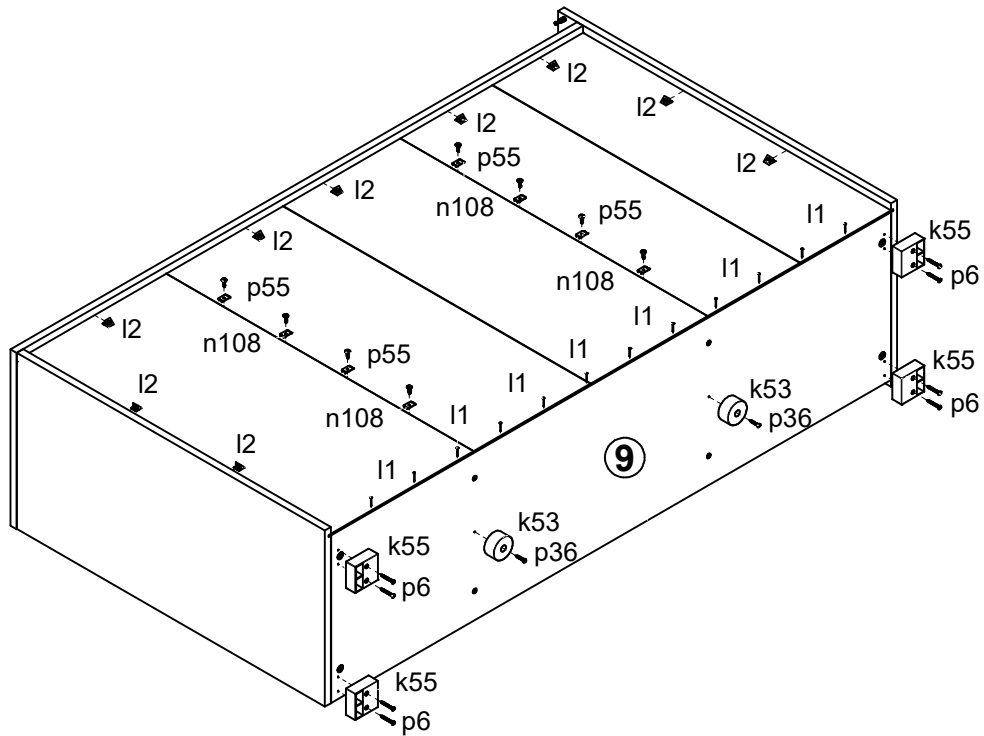
III



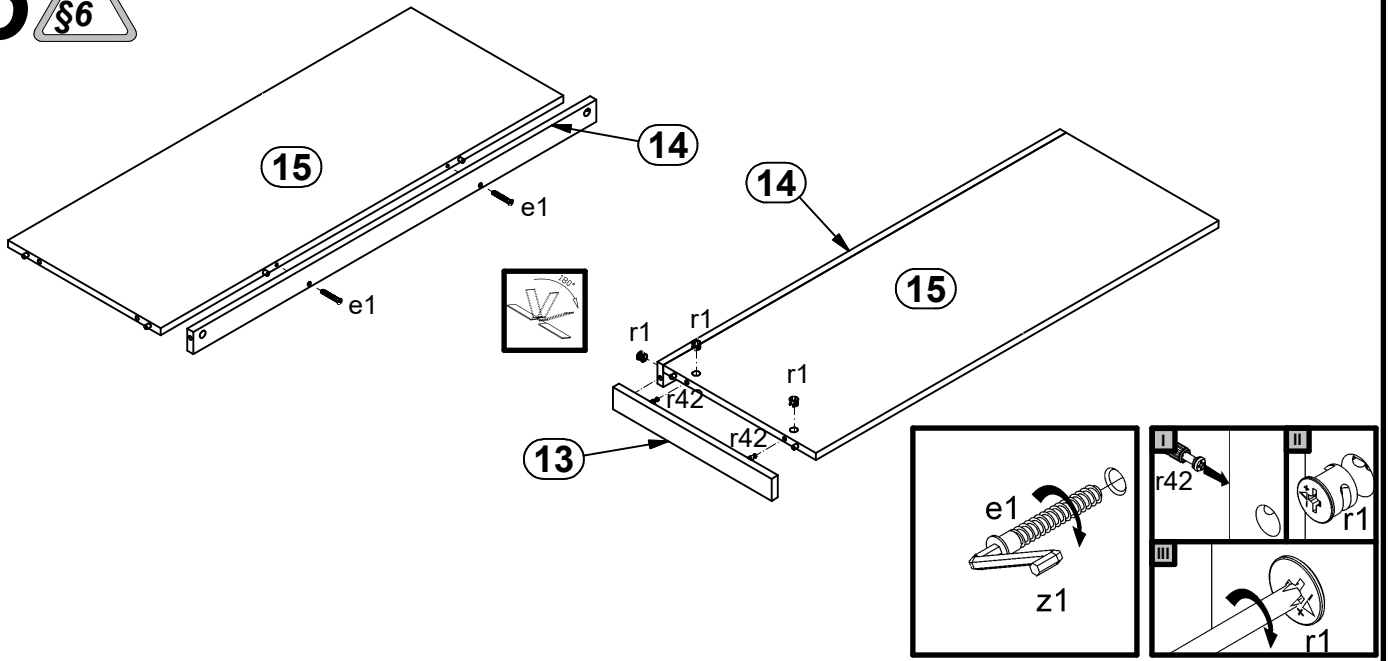
# 3



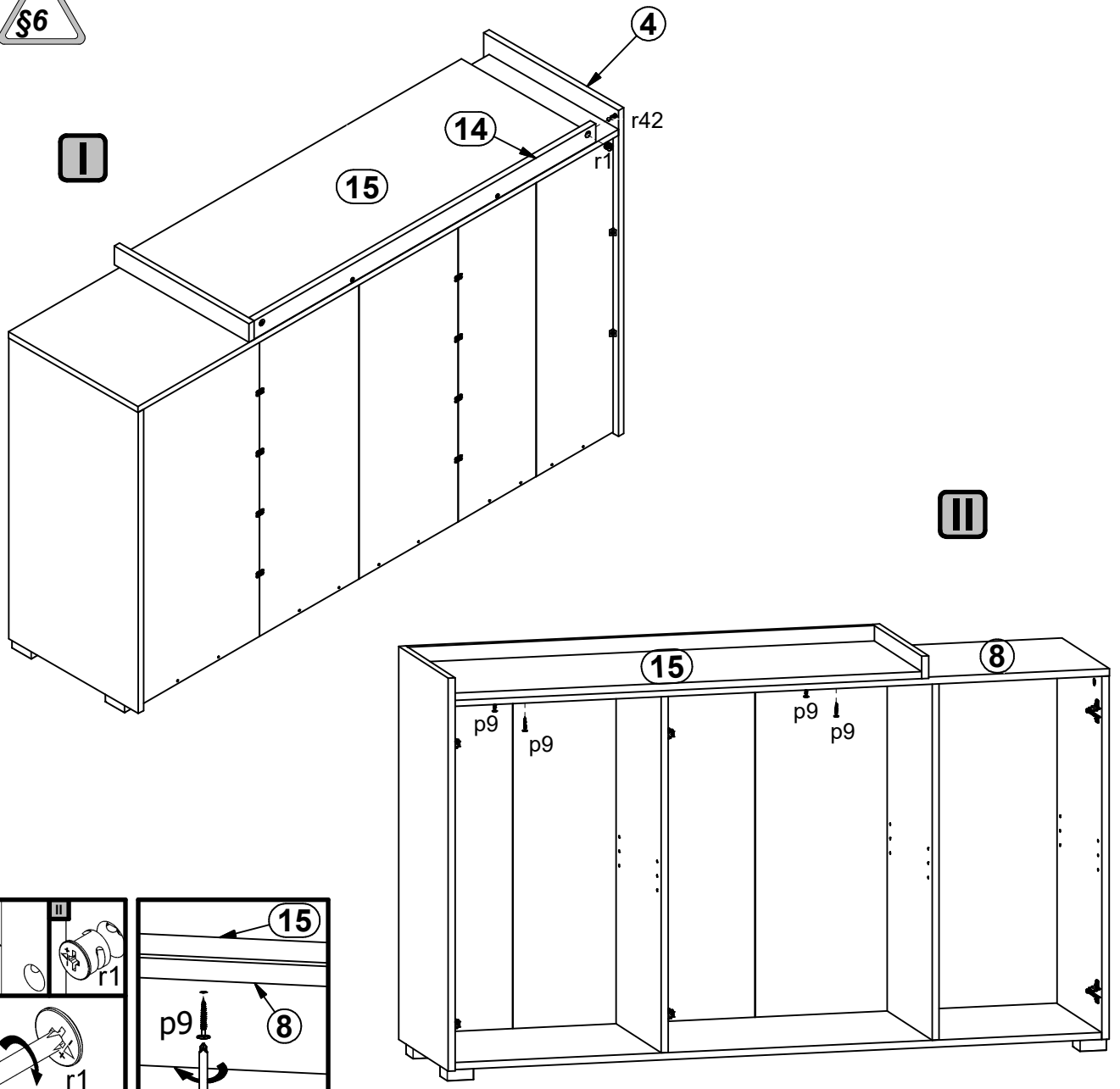
# 4



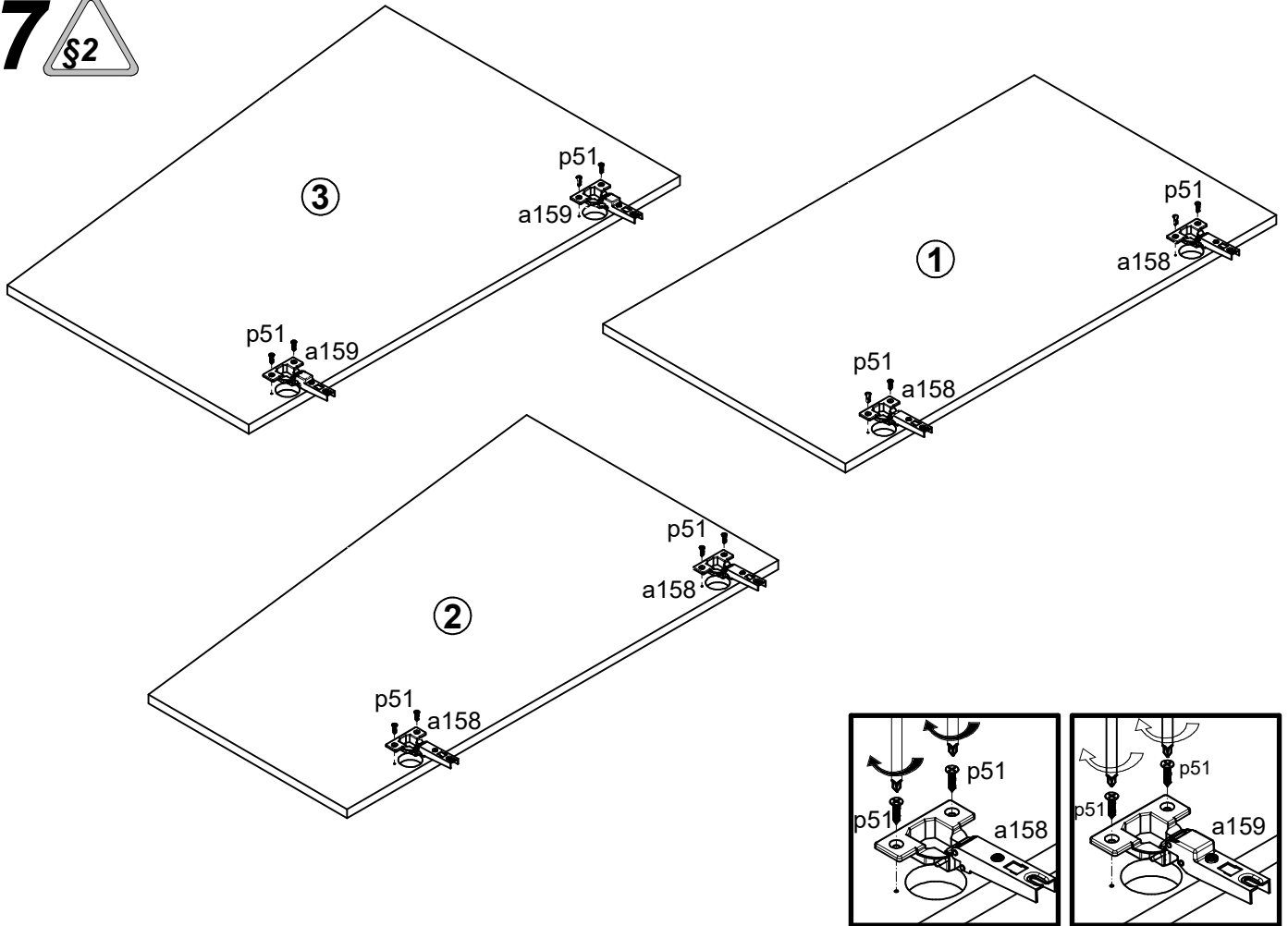
# 5



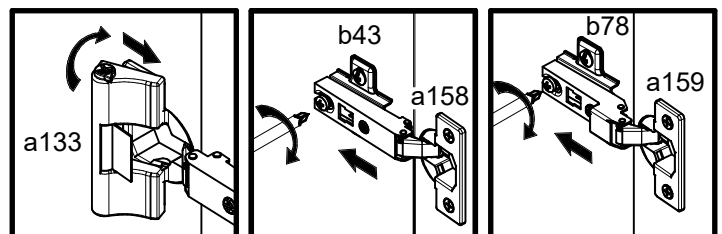
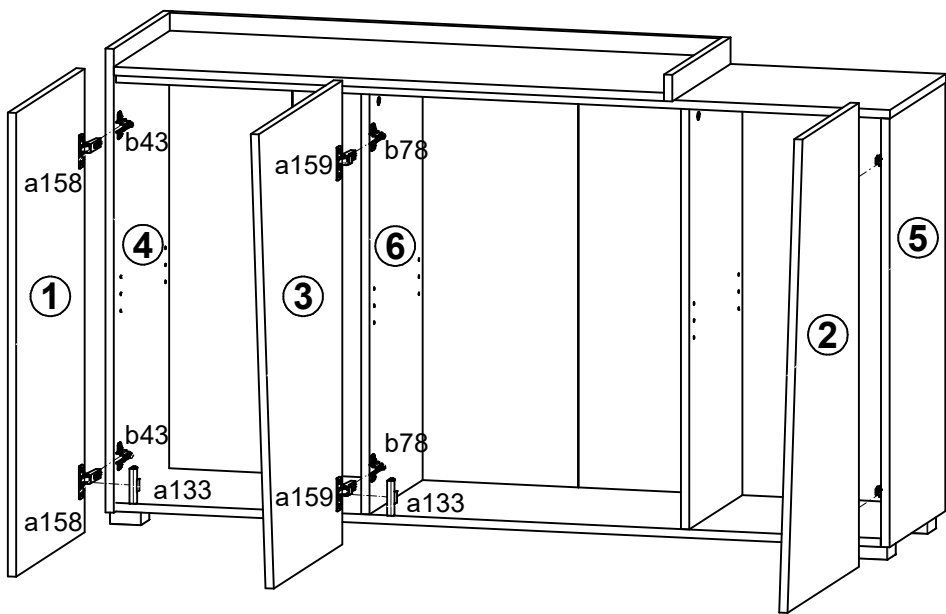
# 6



# 7

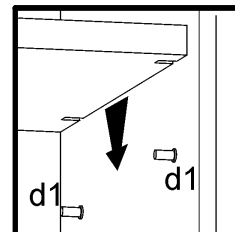
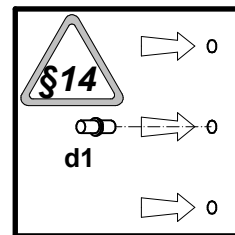
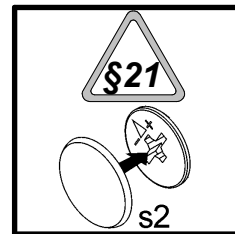
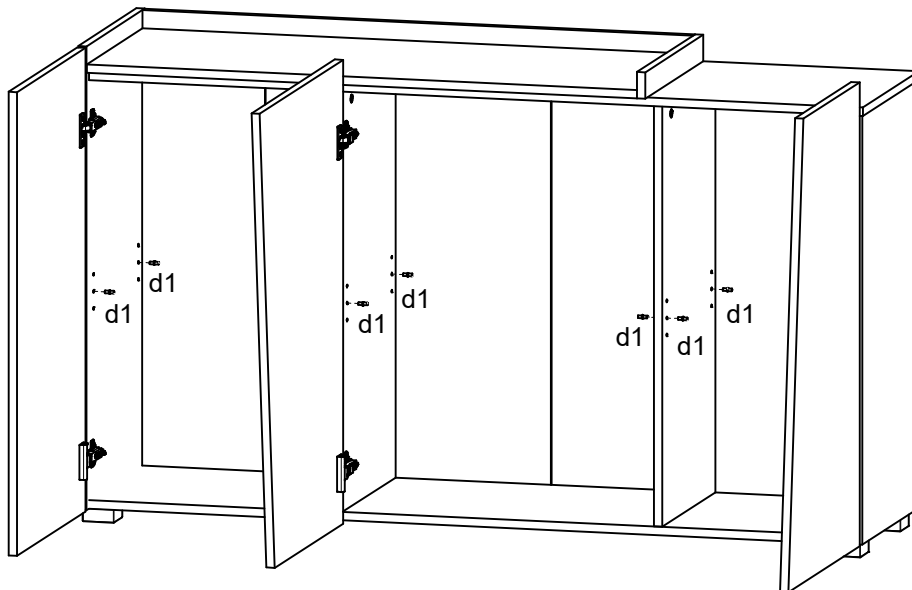


# 8



9 §6

I



II

