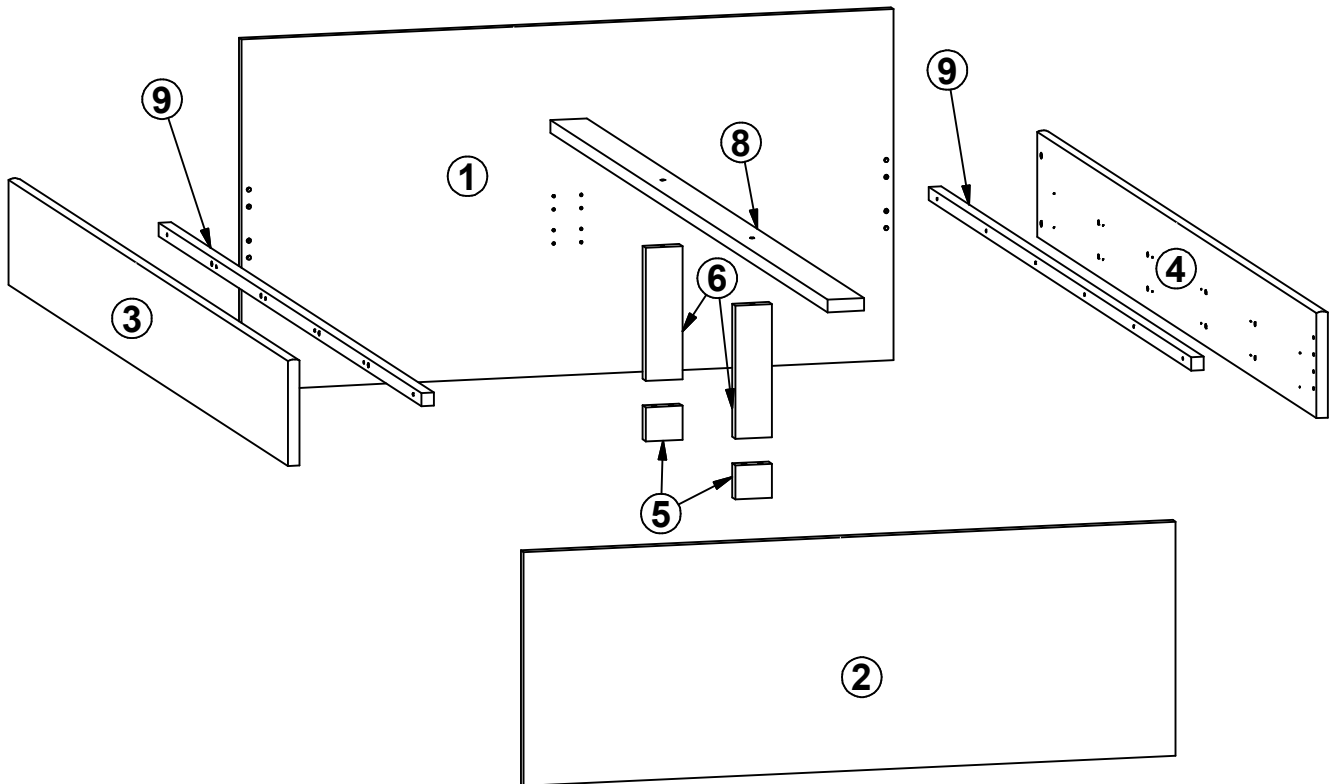
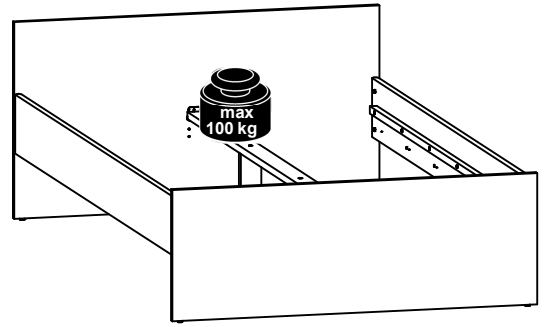
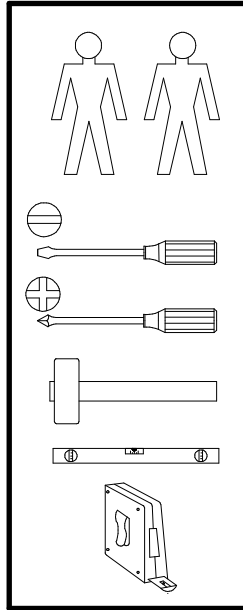
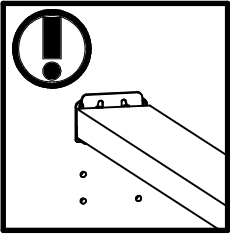
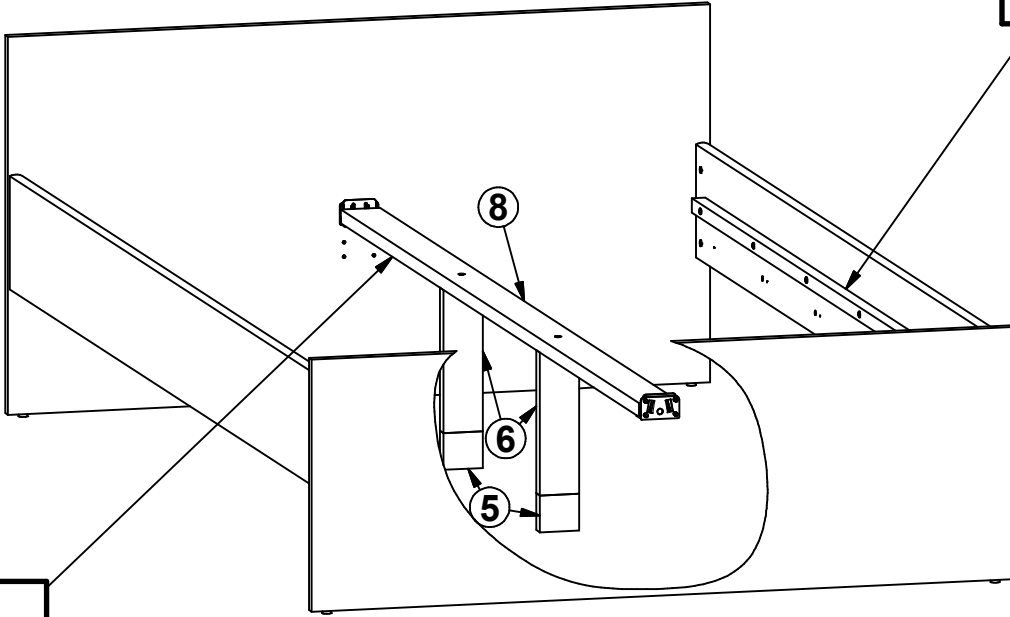
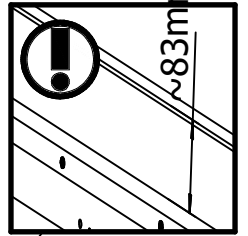


A	B	C	D	
1	S435-0011	1250	660	1/2
2	S435-0012	1250	440	1/2
3	S435-1021	2000	200	2/2
4	S435-1022	2000	200	2/2
5	S435-7005	64	70	2/2
6	S435-7004	250	70	2/2
8	S435-7003	1983	70	2/2
9	S435-7002	1880	25	2/2

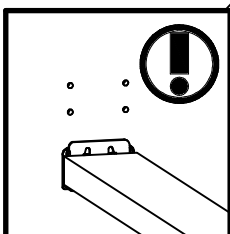
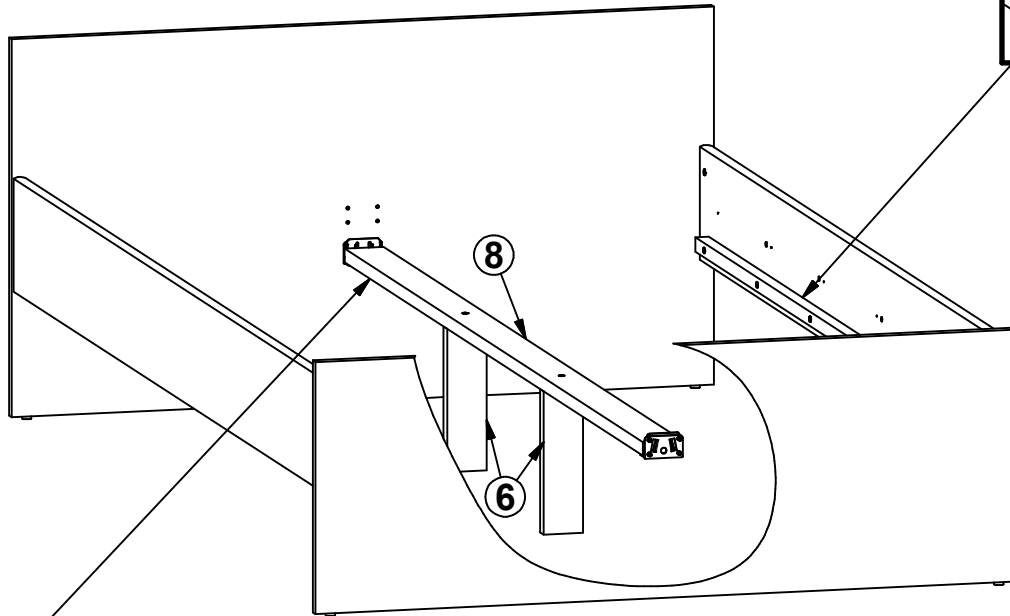
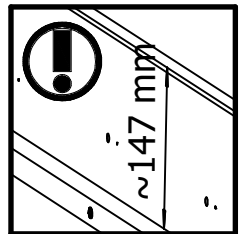


16x Ø6.3x13 mm e2	8x Ø6x13 mm e3	2x Ø7x60 mm e8	12x Ø8x30 mm f1	4x Ø8x50 mm f6	4x M6x60 mm j144	4x k1	2x n34/1	2x n34/2
2x 130x34x34/2 mm n63	12x Ø4x40 mm p10	6x Ø3.5x25 mm p16	6x Ø4x35 mm p6	4x Ø10x16 mm r43	1x 4 mm z1			

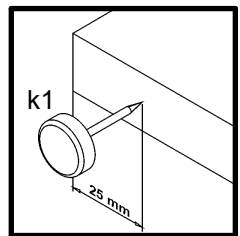
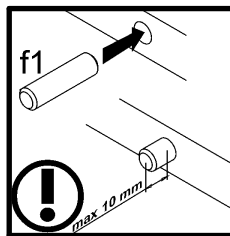
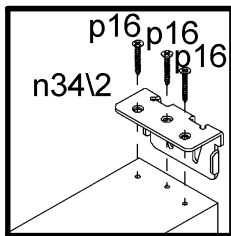
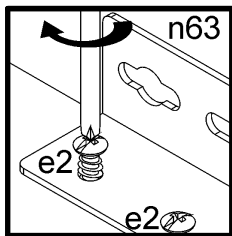
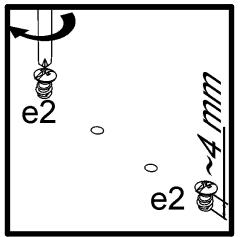
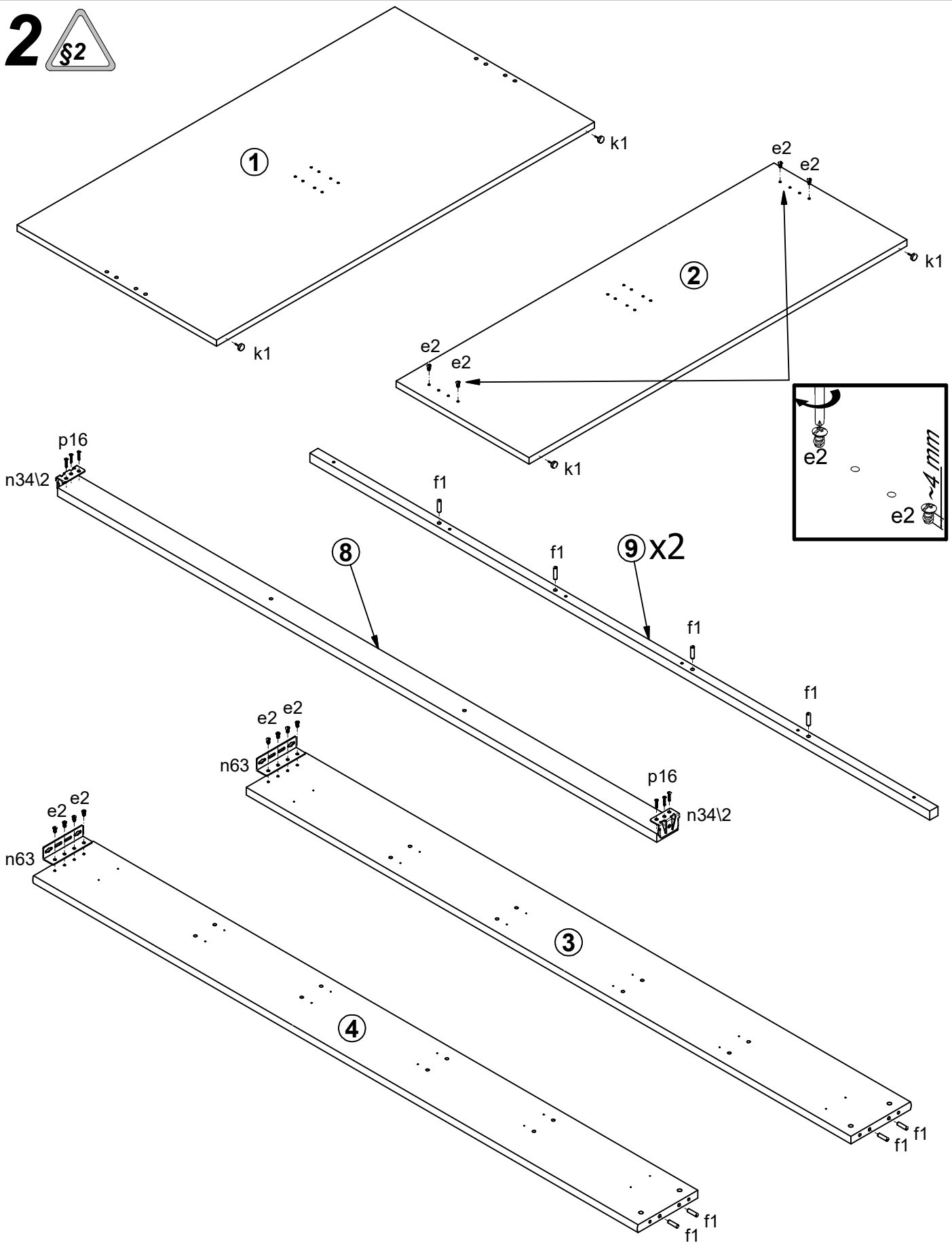
1A



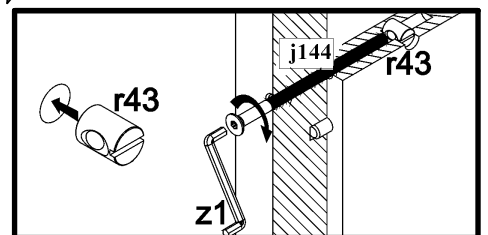
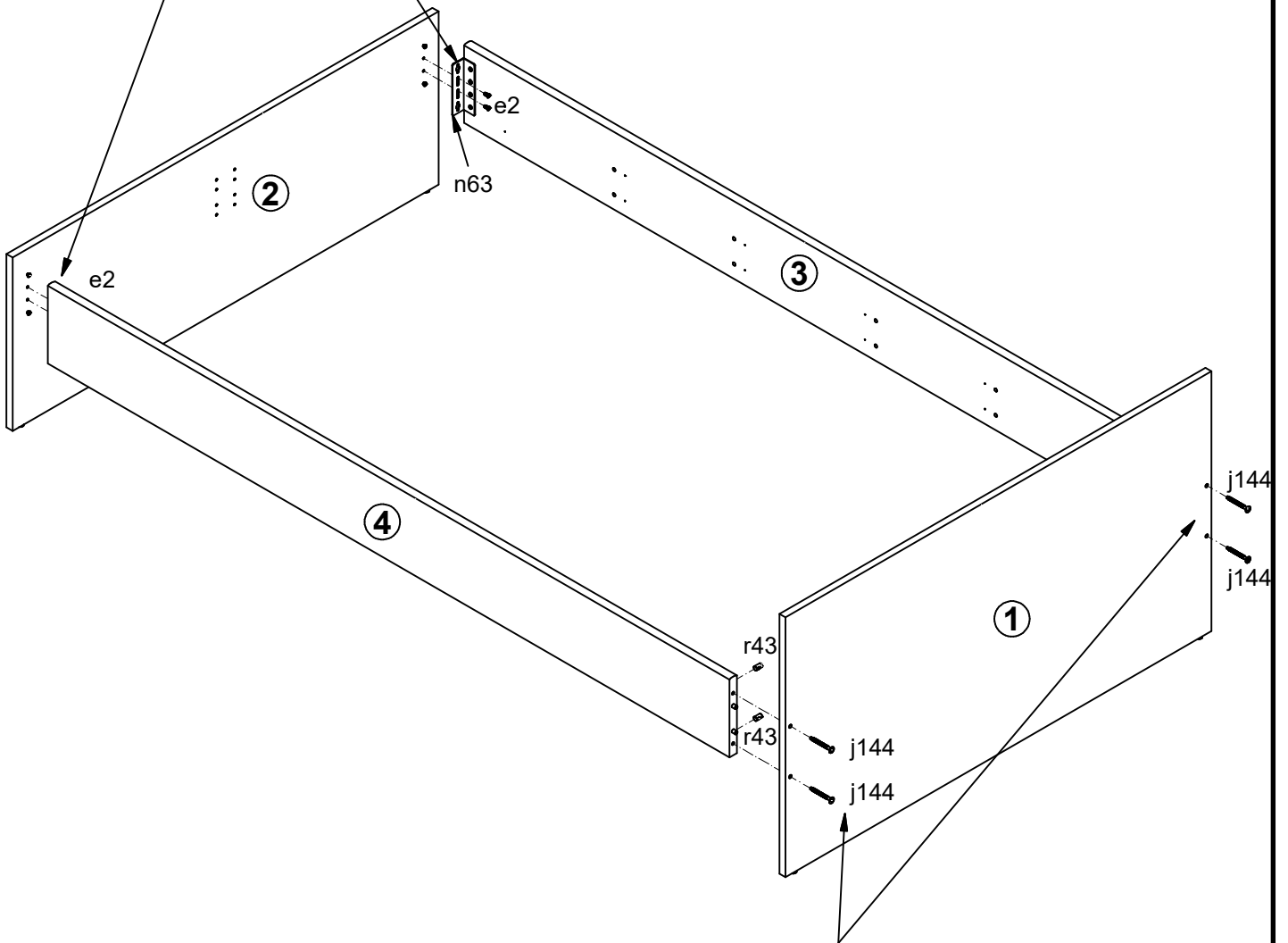
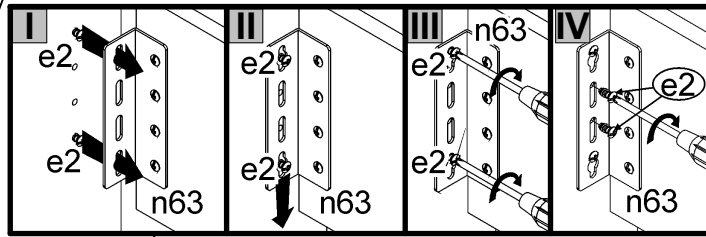
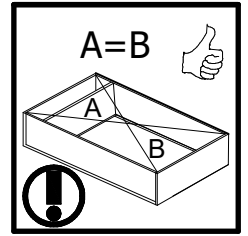
1B



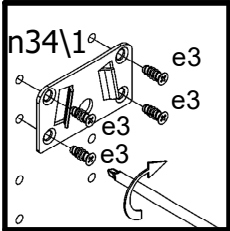
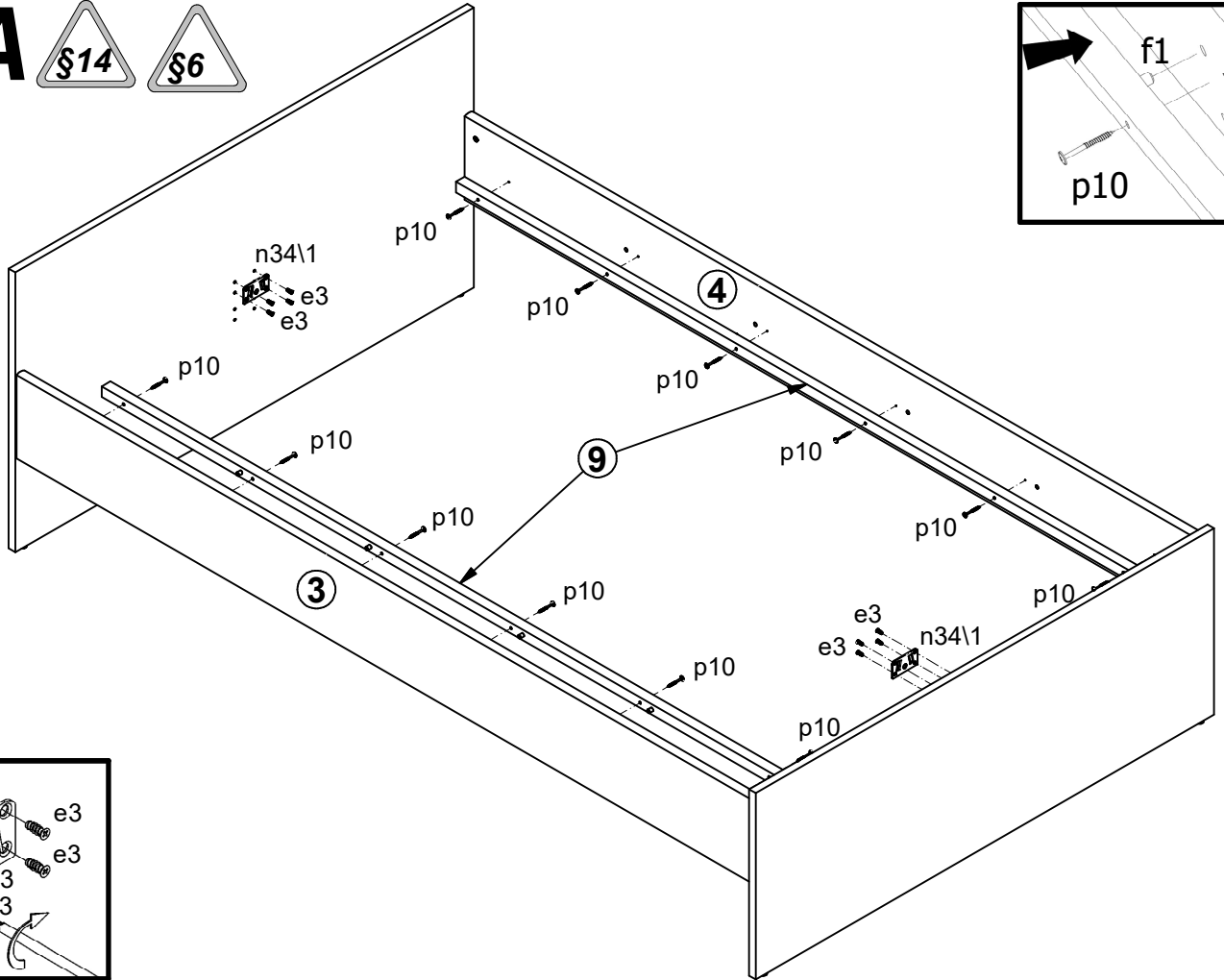
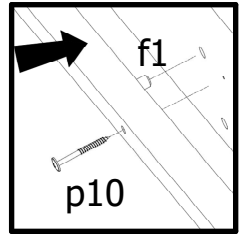
2



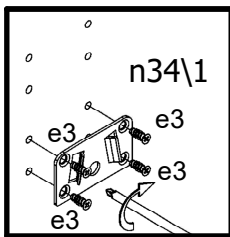
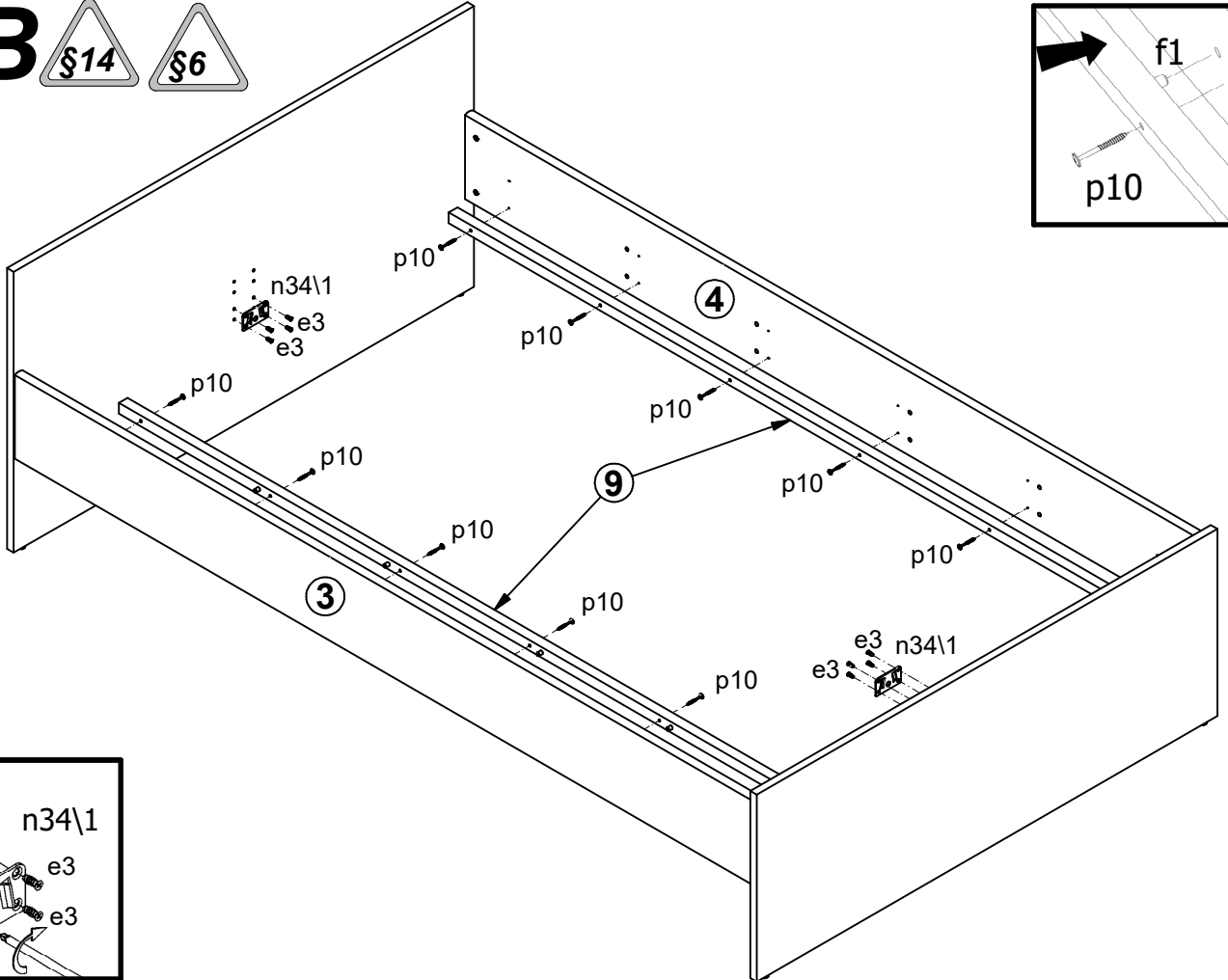
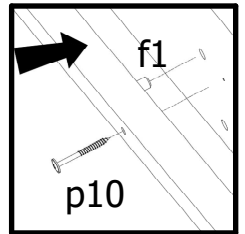
3 §6



4A



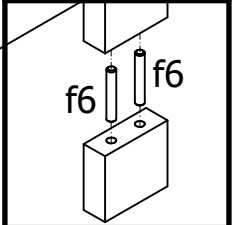
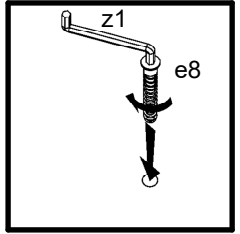
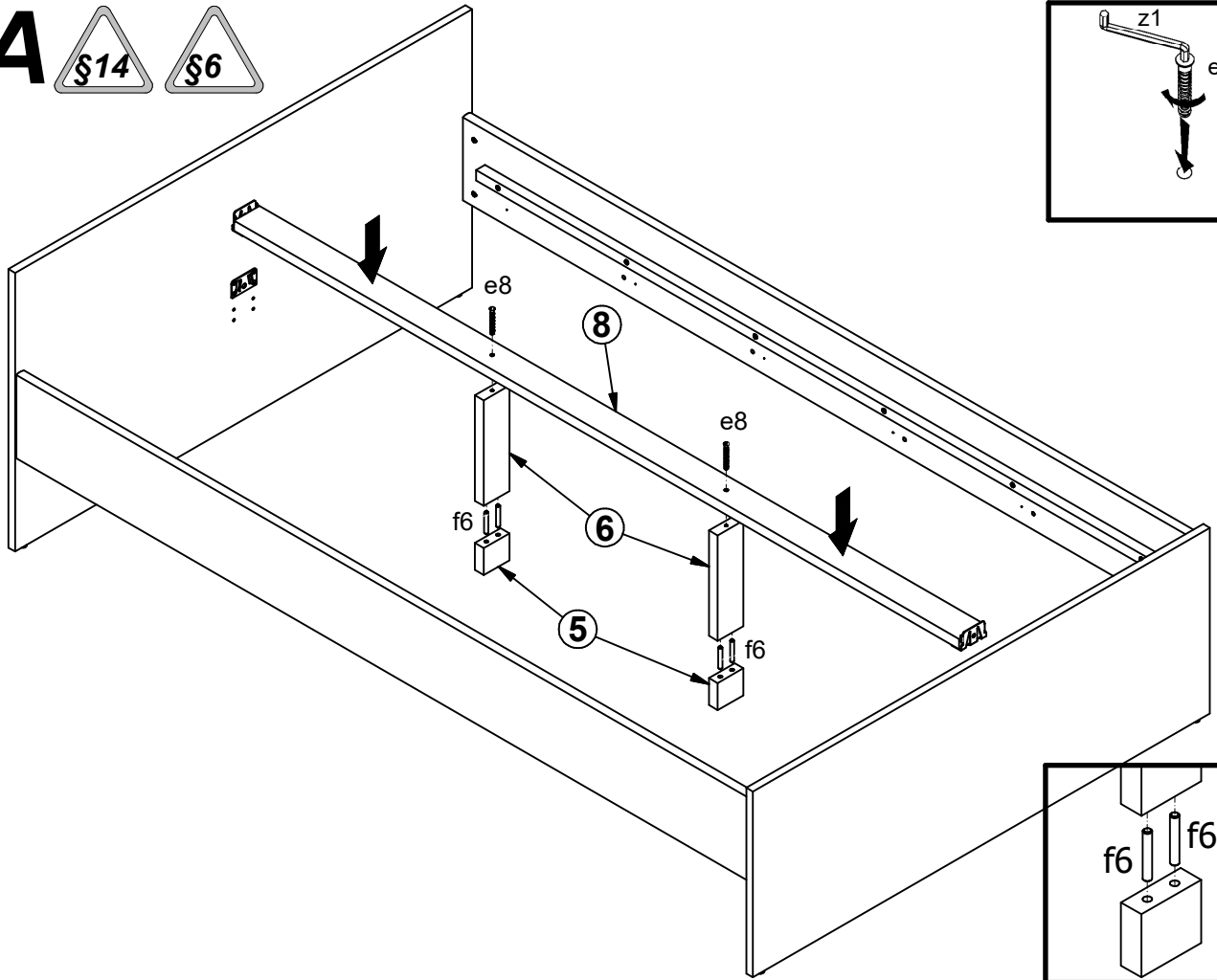
4B



5A

§14

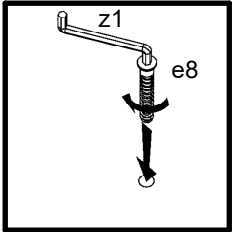
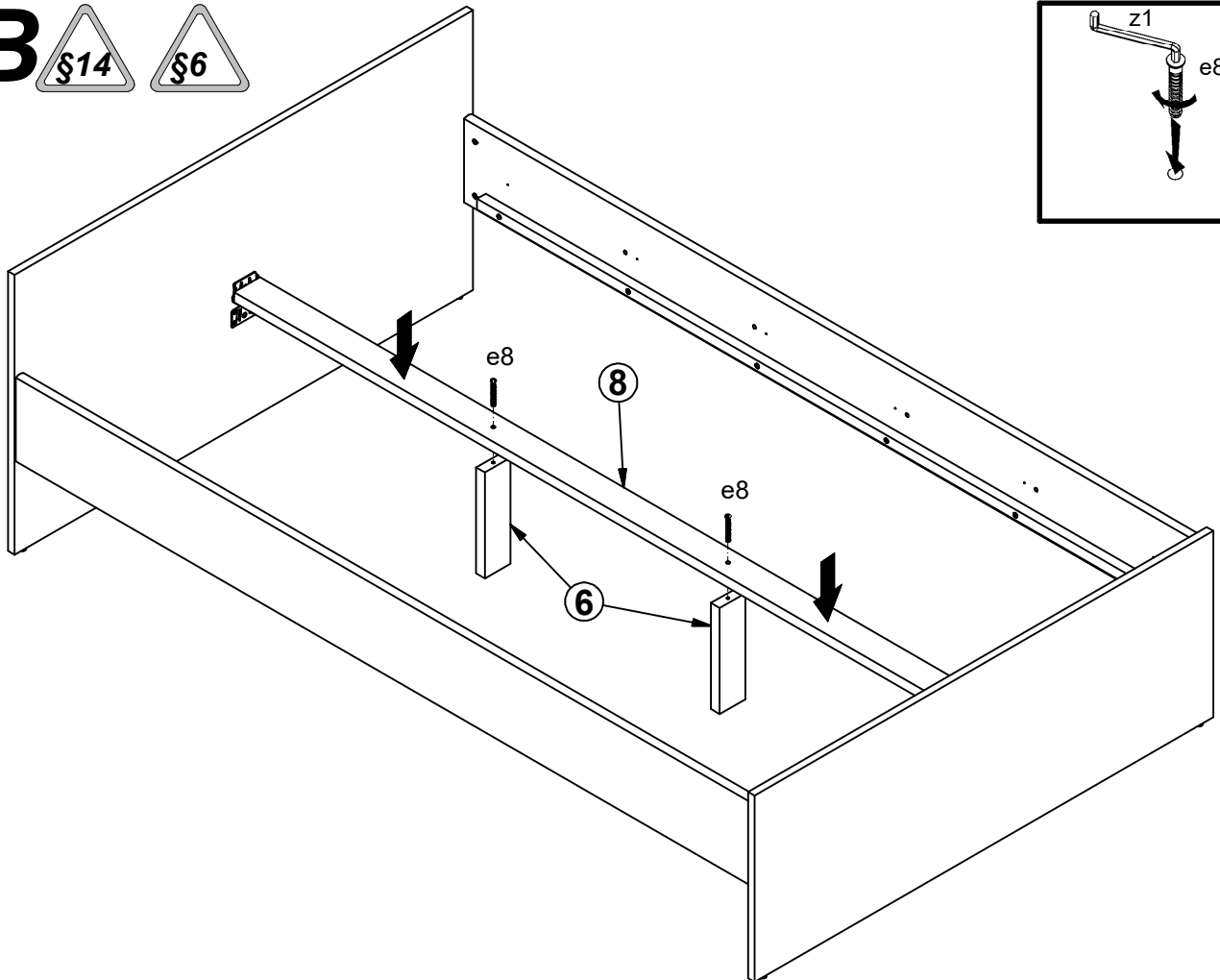
§6



5B

§14

§6



6 

