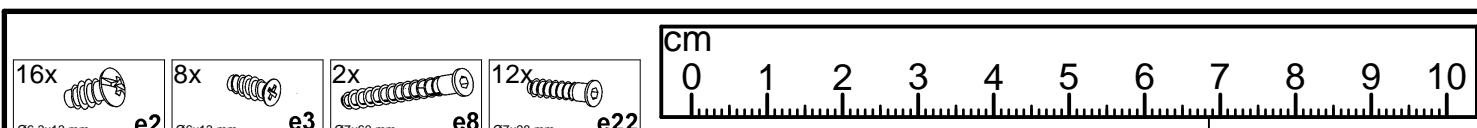
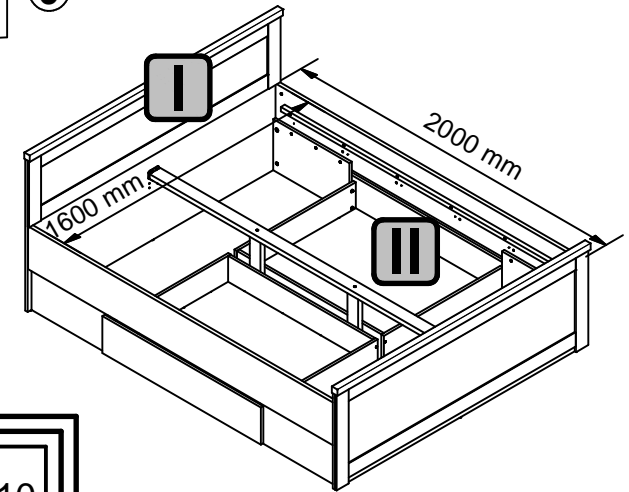


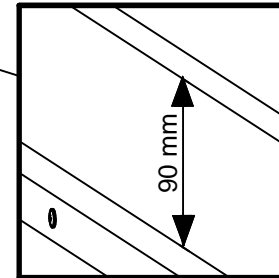
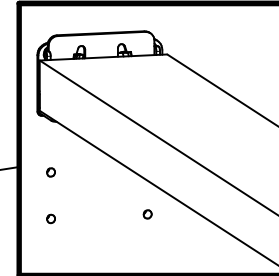
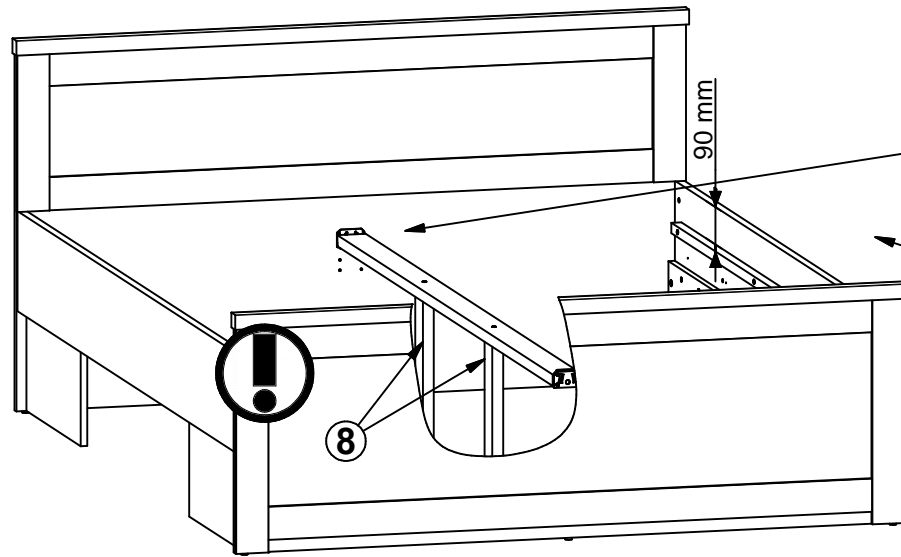
A	B	C (mm)		D
1	L30-020	1650	864	1/4
2	L30-021	1650	544	2/4
3	L30-105	2000	242	3/4
4	L30-106	2000	242	3/4
5	L30-402	500	290	3/4
6	L30-403	500	290	3/4
7	L30-580	1660	36	3/4
8	ZZ1-425	370	70	3/4
9	ZZ1-426	306	70	3/4
10	ZZ1-719	1983	70	3/4
11	ZZ1-747	1880	25	3/4

A	B	C (mm)		D
12	L30-008	1040	210	4/4
13	L30-404	763	100	4/4
14	L30-504	780	180	4/4
15	L30-505	780	180	4/4
16	L30-506	948	180	4/4
17	L30-904	959	777	1/4

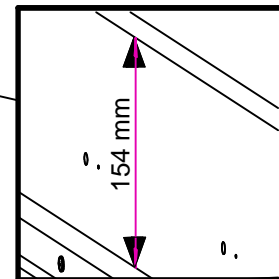
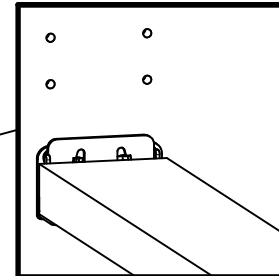
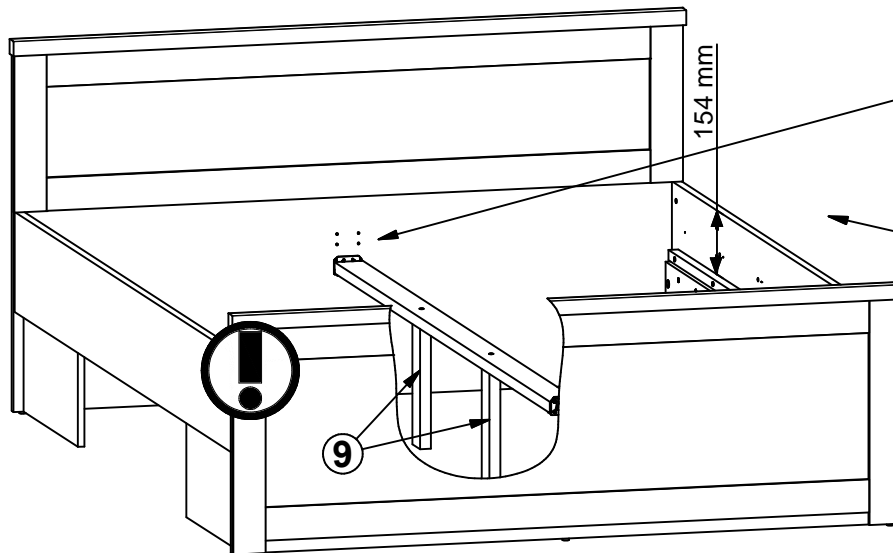


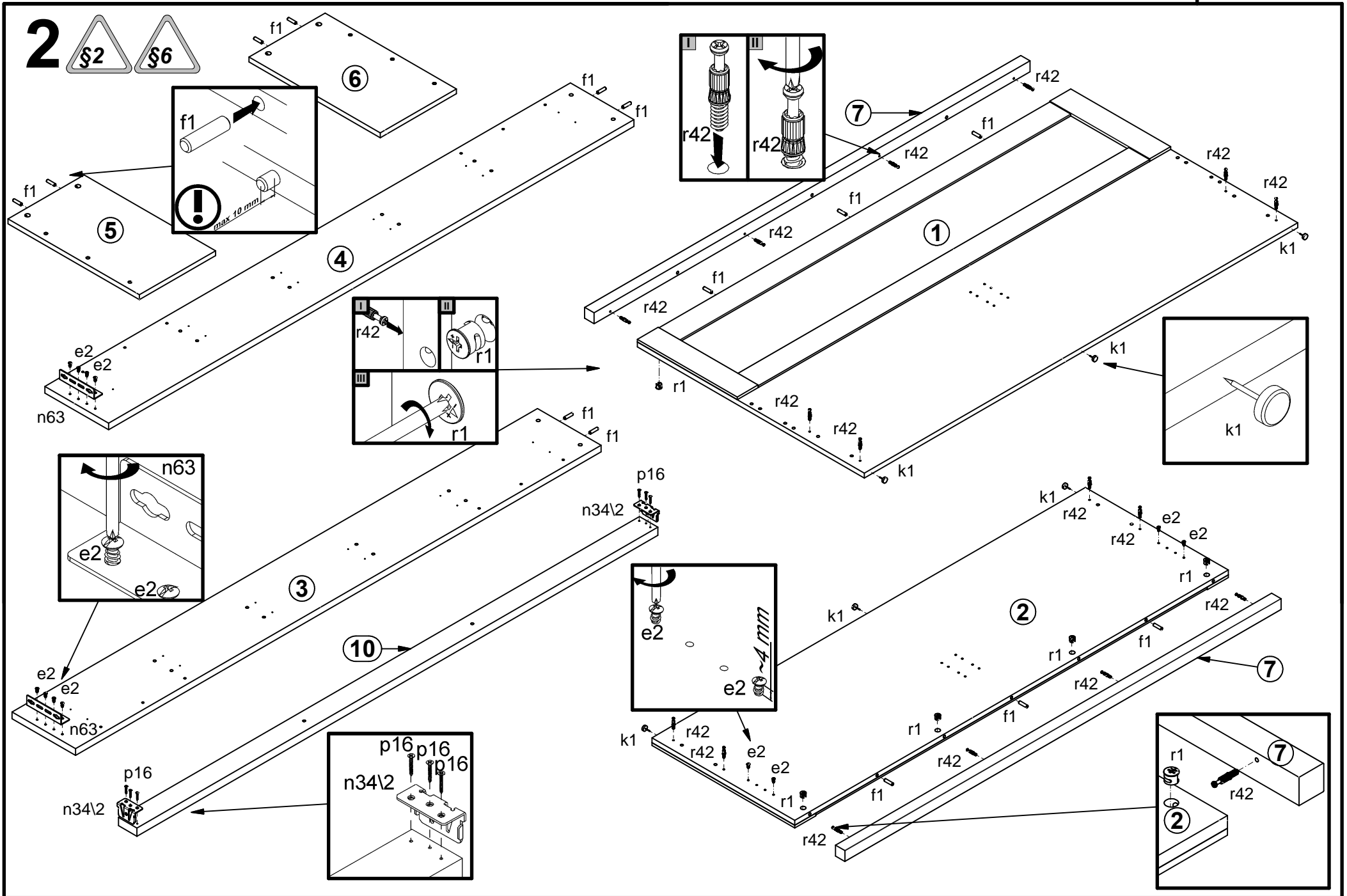
16x Ø6.3x13 mm e2	8x Ø6x13 mm e3	2x Ø7x60 mm e8	12x Ø7x28 mm e22	cm ruler				8x Ø7x50 mm e1	16x Ø6.3x13 mm e2	8x Ø8x30 mm f1	8x k44	32x l2	
26x Ø8x30 mm f1	4x M6x65 mm j132	6x k1	2x n34/1	2x n34/2	2x 130x34x34/2 mm n63	6x Ø4x35 mm p6	Section I		16x Ø15x12 mm #16 r1	16x r42	8x s1	8x s2	1x z1
12x Ø4x40 mm p10	6x Ø3.5x25 mm p16	16x Ø15x12 mm #16 r1	16x r42	4x Ø10x13 mm r5/1	4x Ø16 s2	1x z1	Section II		16x Ø15x12 mm #16 r1	16x r42	8x s1	8x s2	1x z1

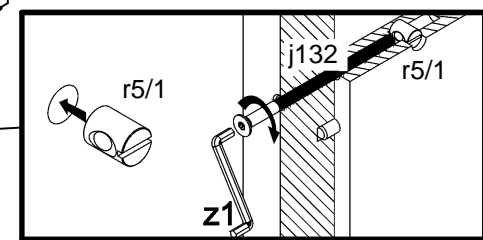
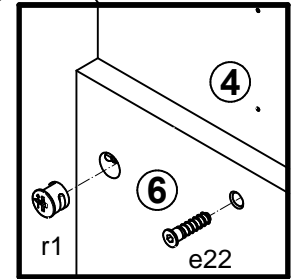
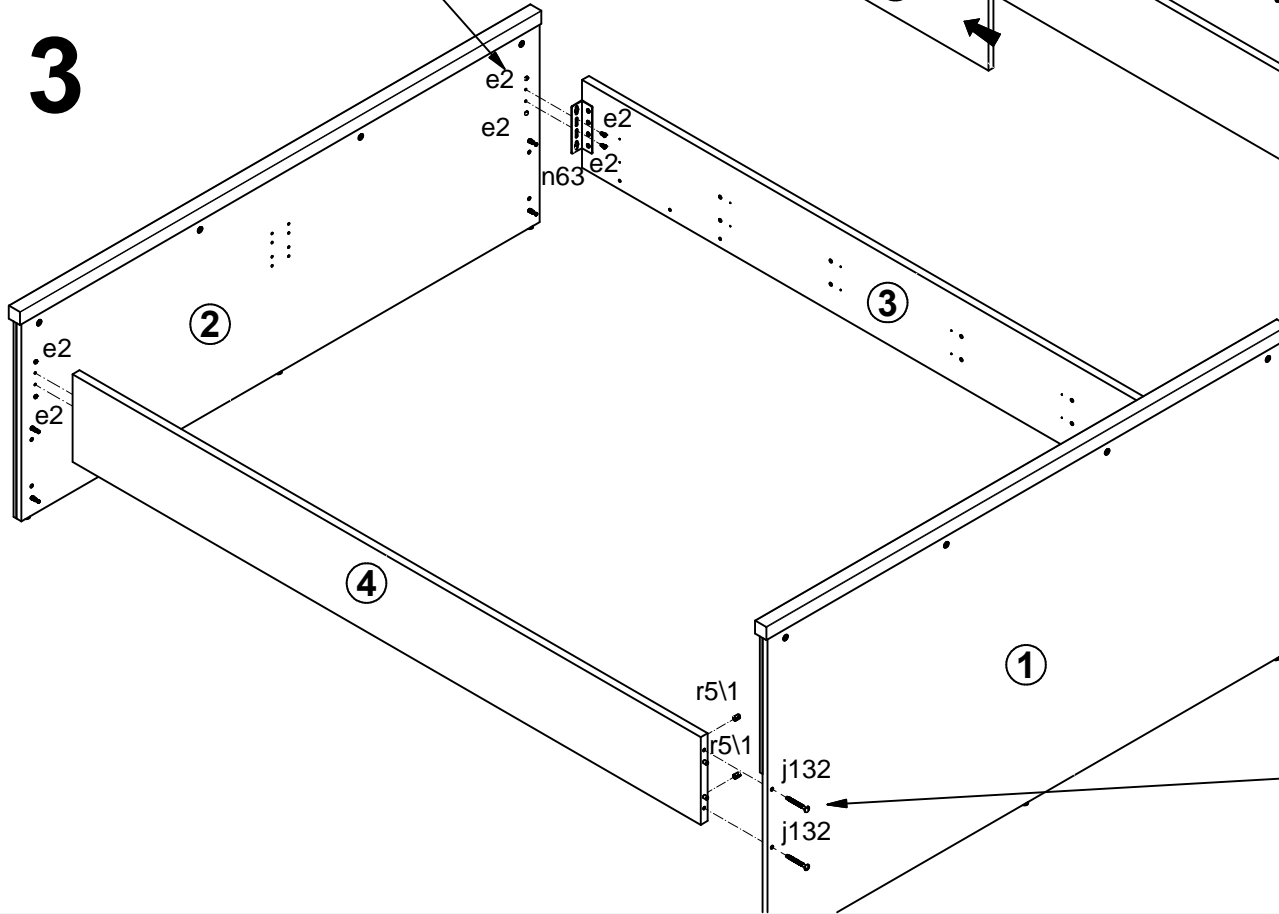
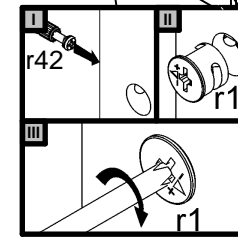
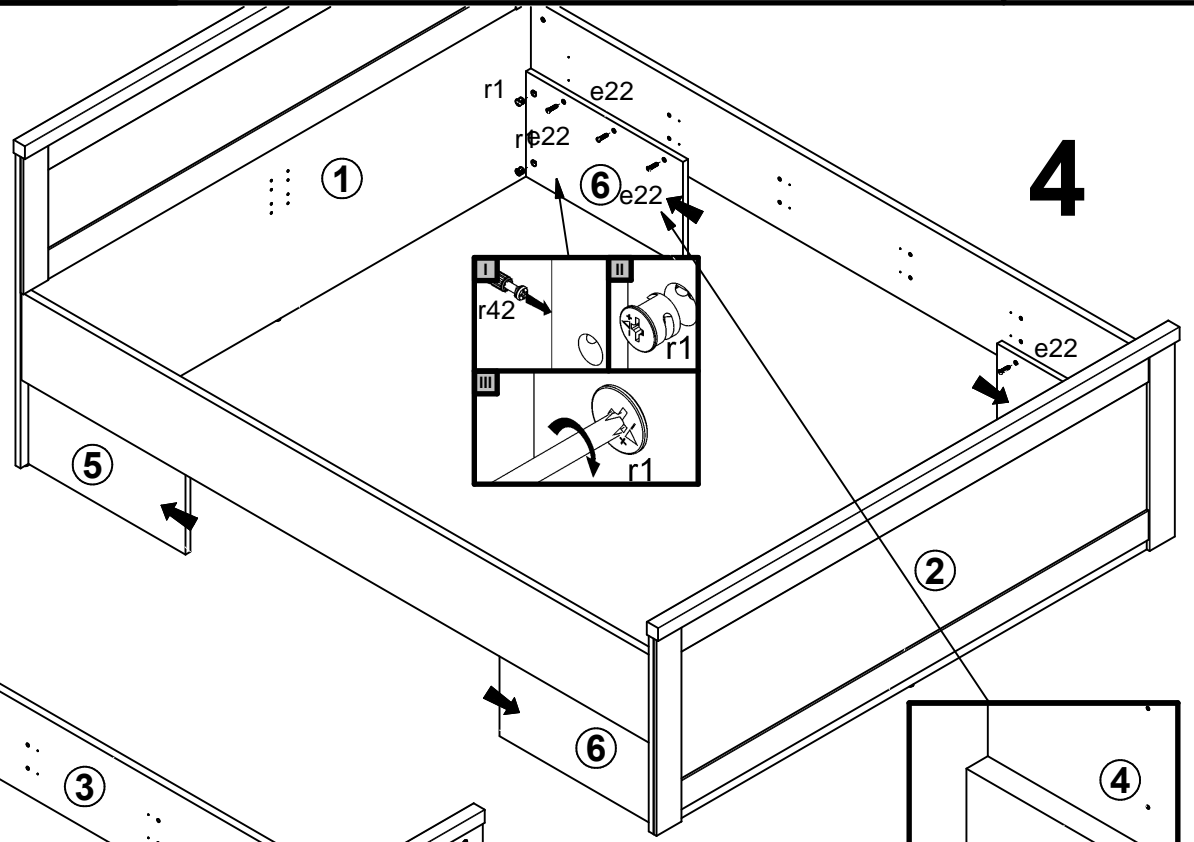
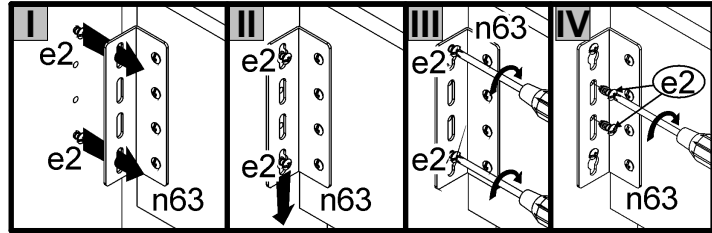
1A



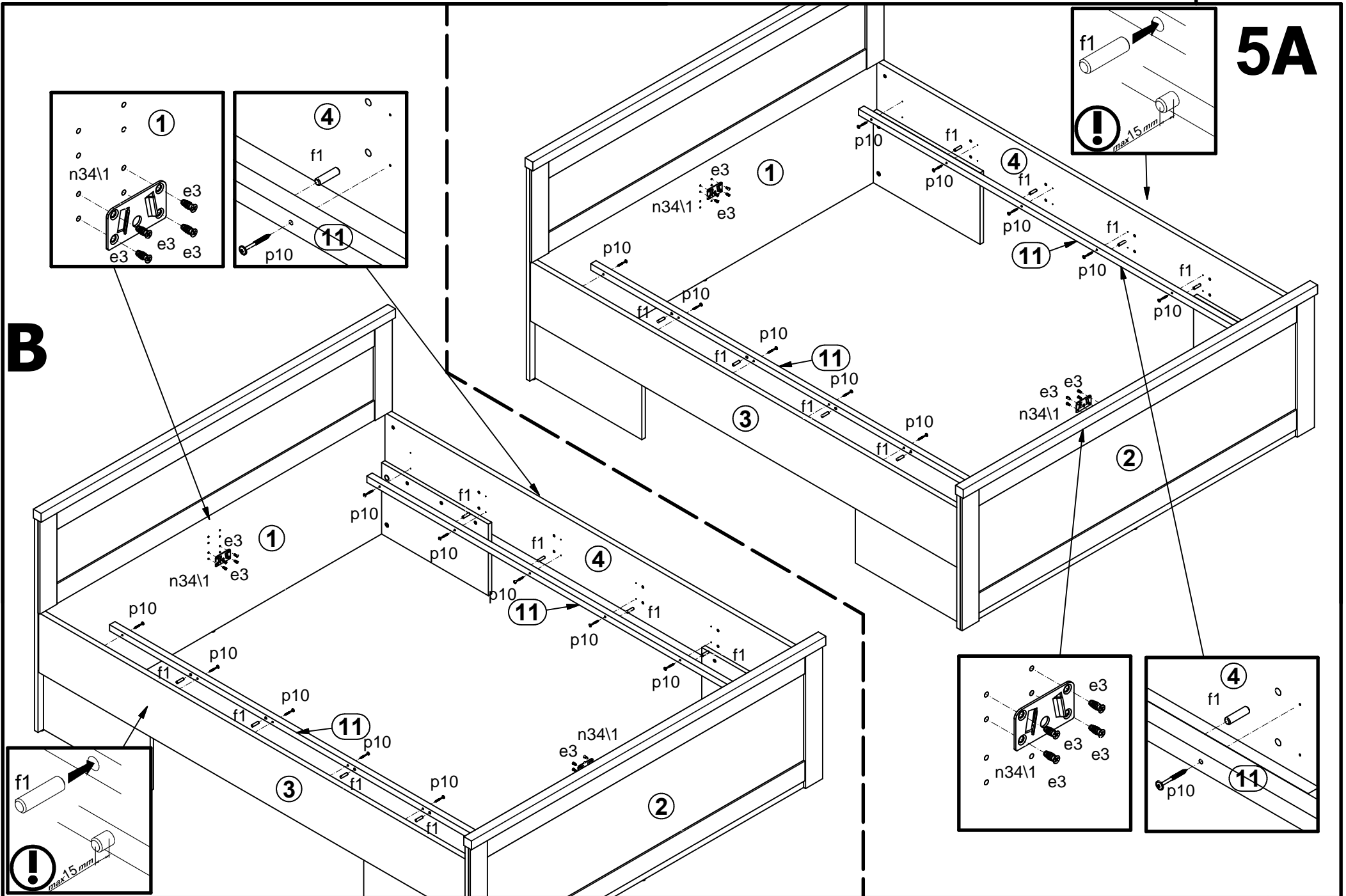
B





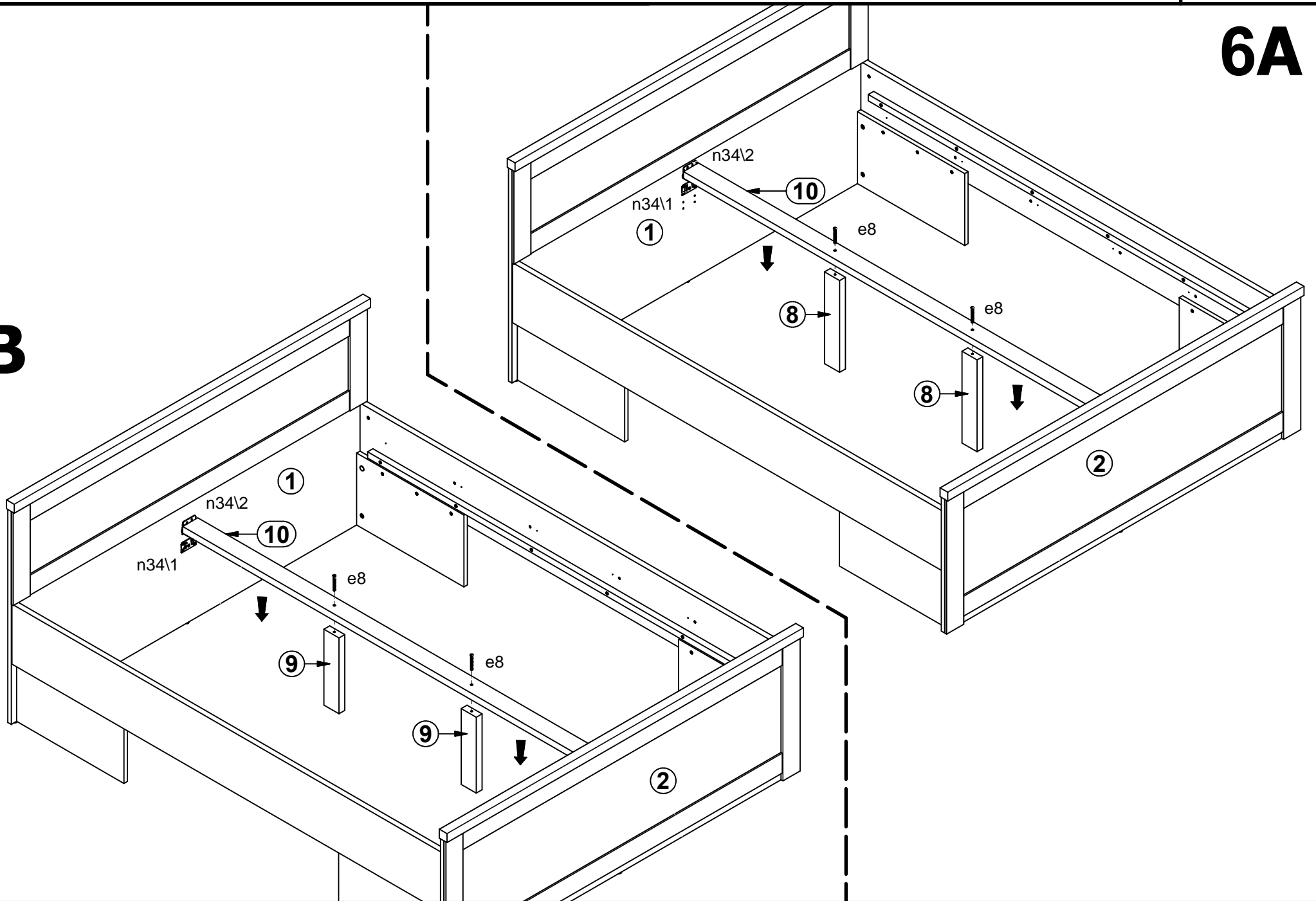


5A

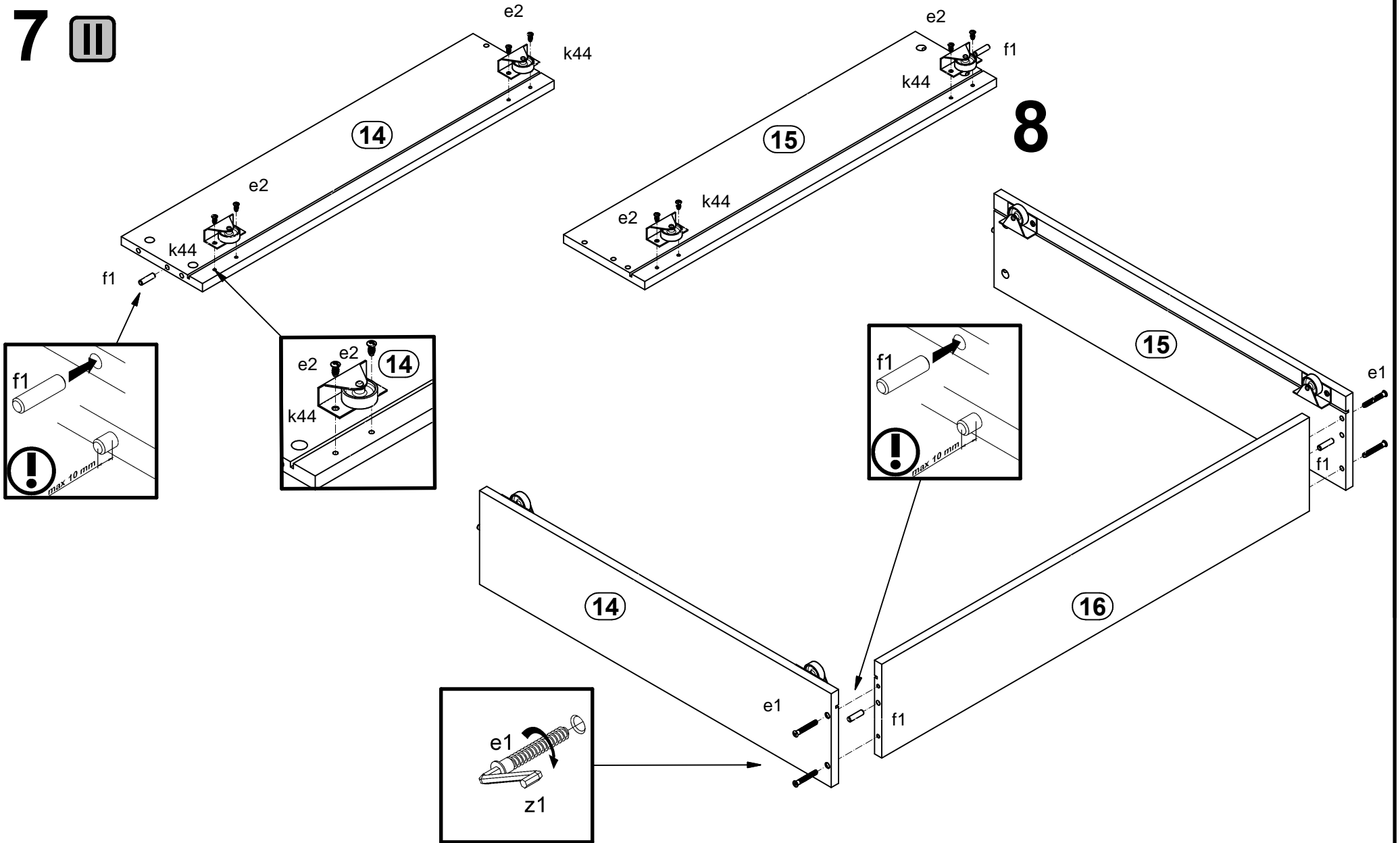


6A

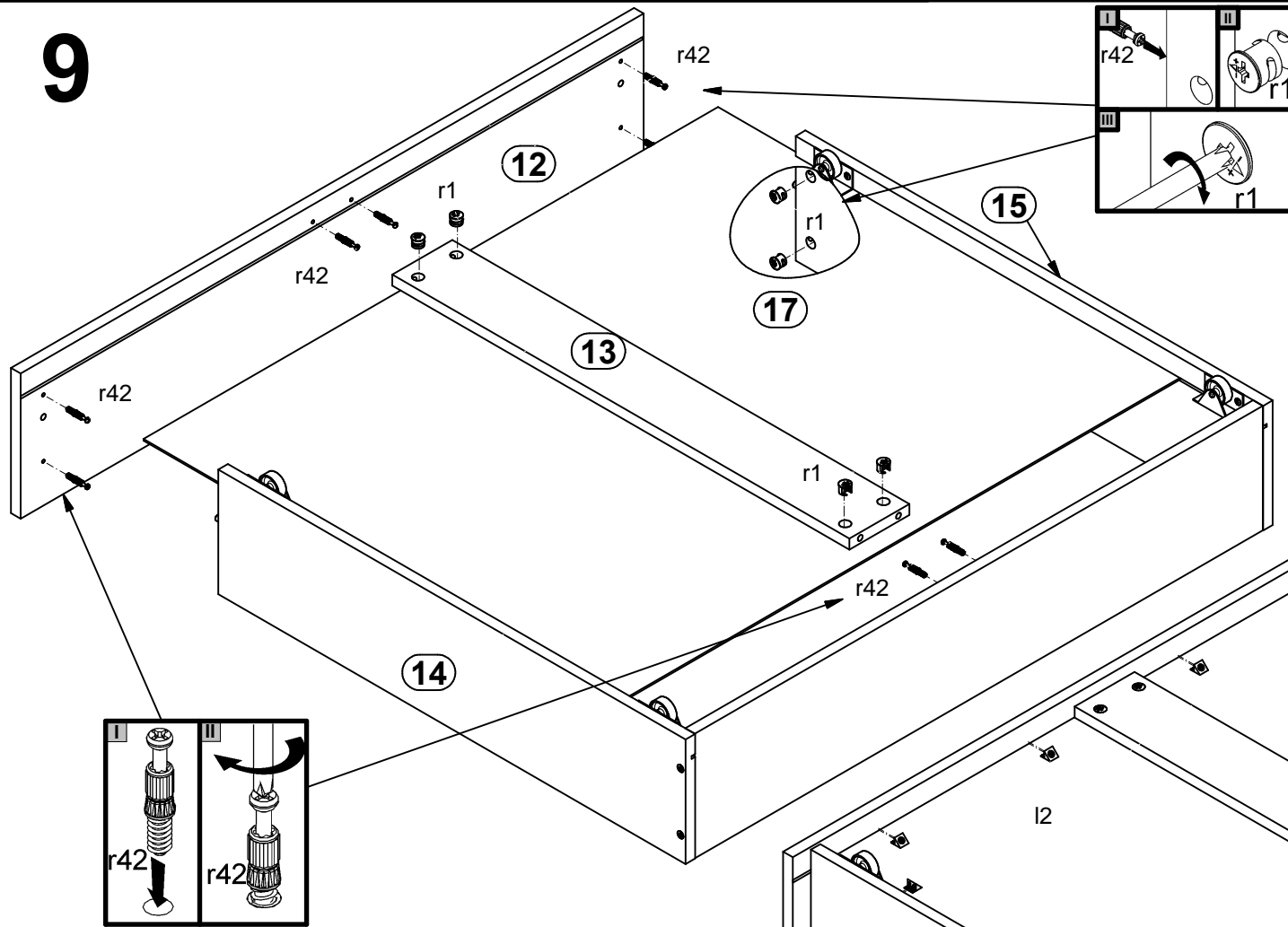
B



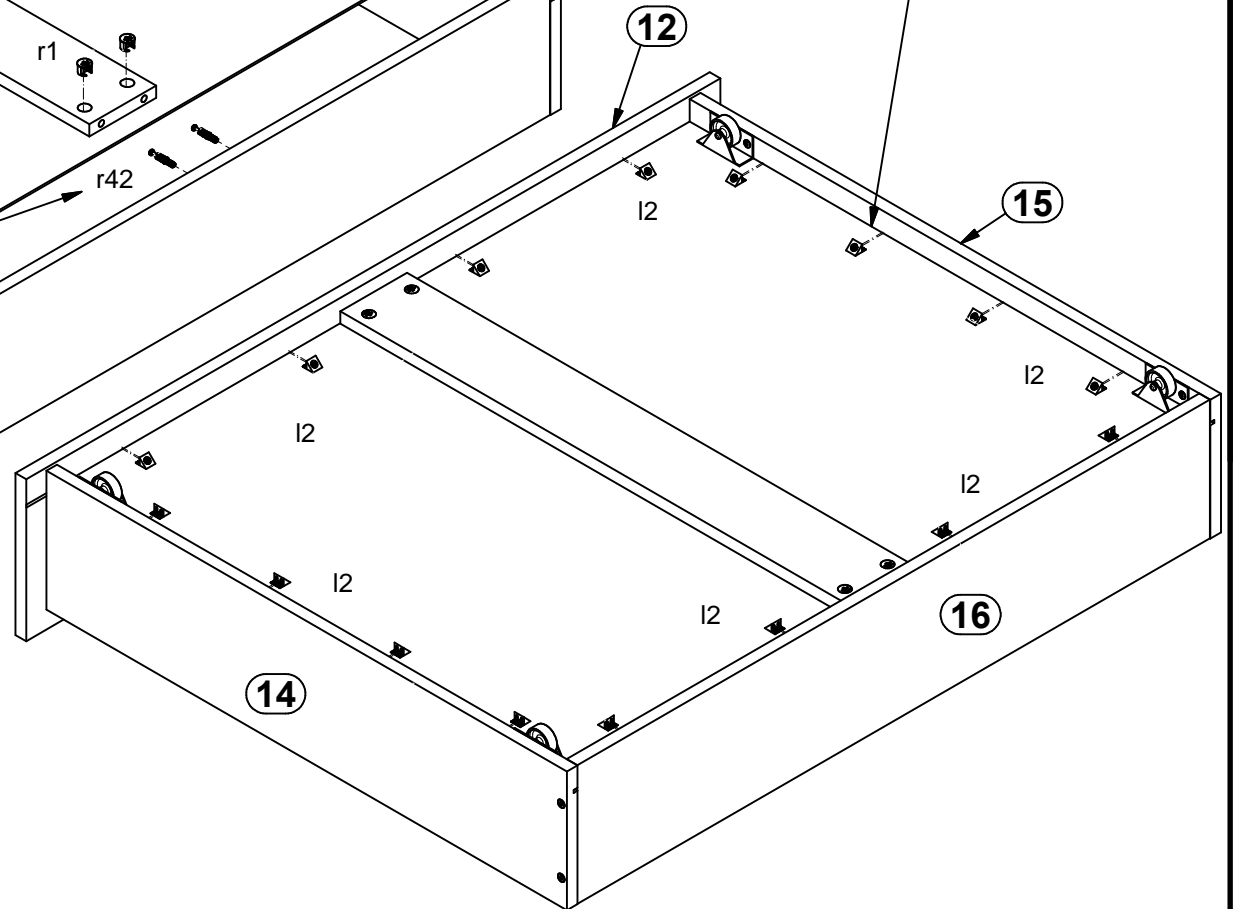
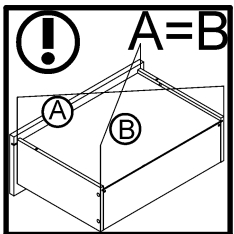
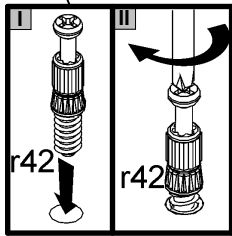
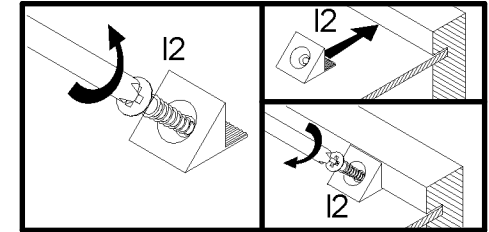
7



9



10



11

