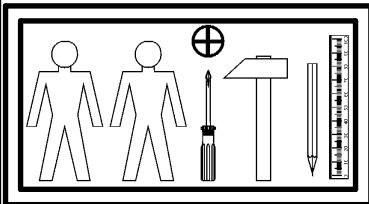
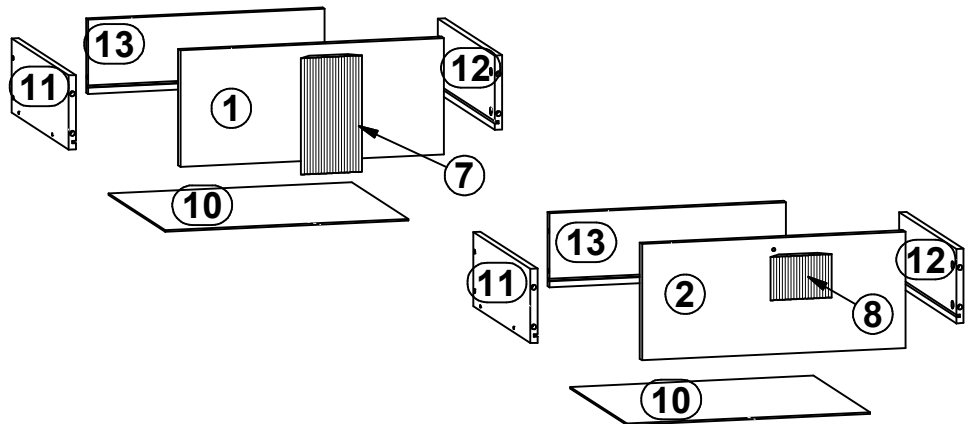
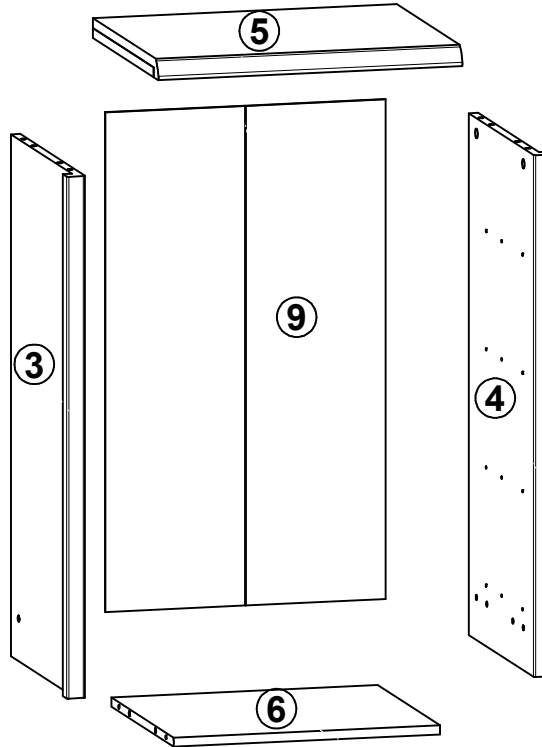
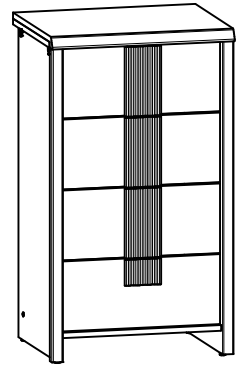


CAPS

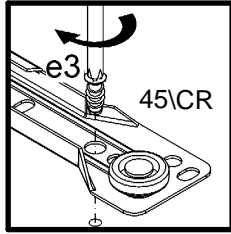
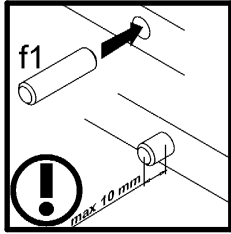
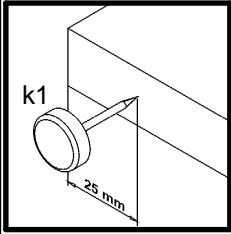
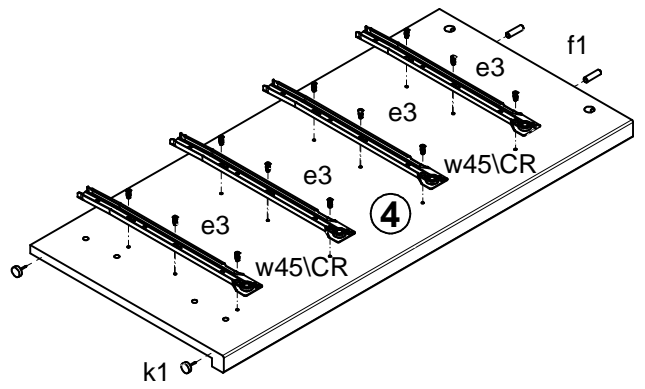
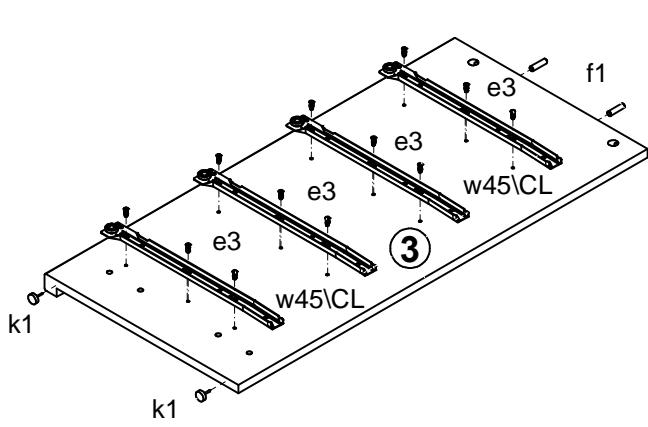
S153-KOM4S/50

A	B	C	D
1	S153-003	433	188
2	S153-004	433	188
3	S153-101	843	399
4	S153-102	843	399
5	S153-202	500	403
6	S153-302	438	383
7	S153-571	186	100
8	S153-572	68	100
9	S153-903	807	461
10	S153-904	400	348
11	ZS2-511	350	120
12	ZS2-512	350	120
13	ZS2-5582	389	120

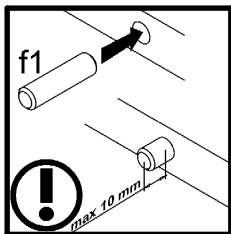
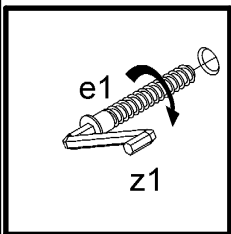
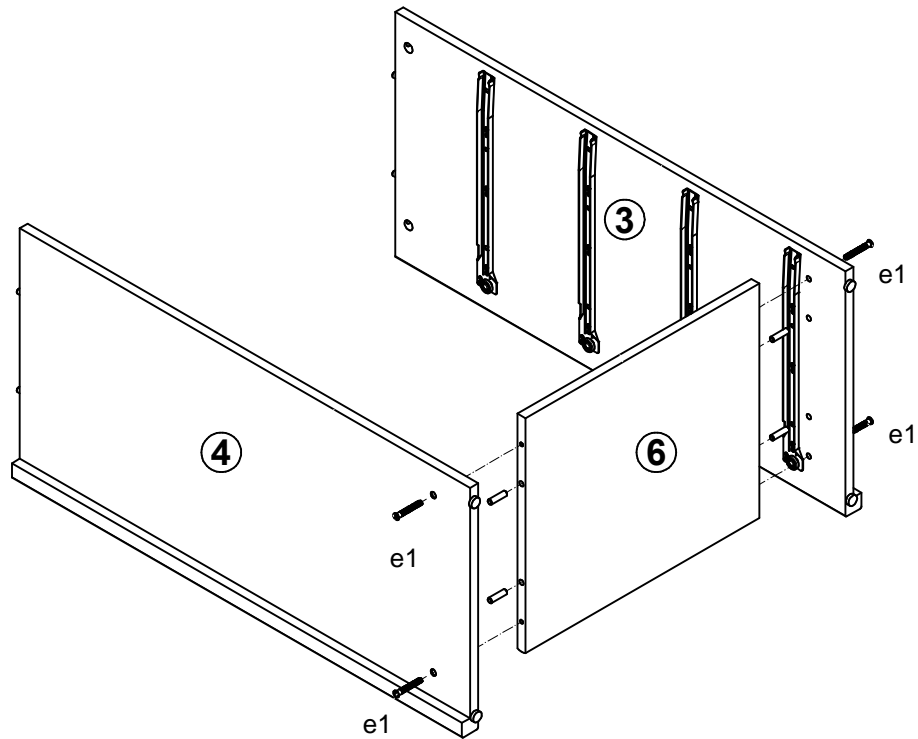


4x φ7x50 mm e1	16x φ5x9 mm e19	24x φ6x13 mm e3	8x φ8x30 mm f1	16x φ6.5x40 mm f25	4x k1	30x l1	8x φ4x22 mm p60	4x φ1.5x12mm #16 r1
16x φ12x10.5mm #12 r15	20x r42	4x 350 mm w45\CL	4x 350 mm w45\CR	4x 350 mm w45\DL	4x 350 mm w45\DR	1x z1	1x n26\1	1x φ3.5x16 mm p38
4x s1	2x ø16 s2							

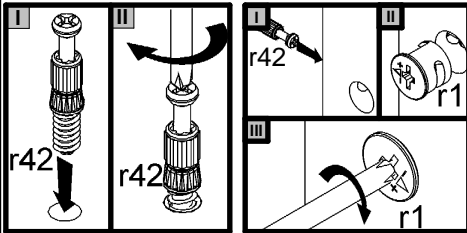
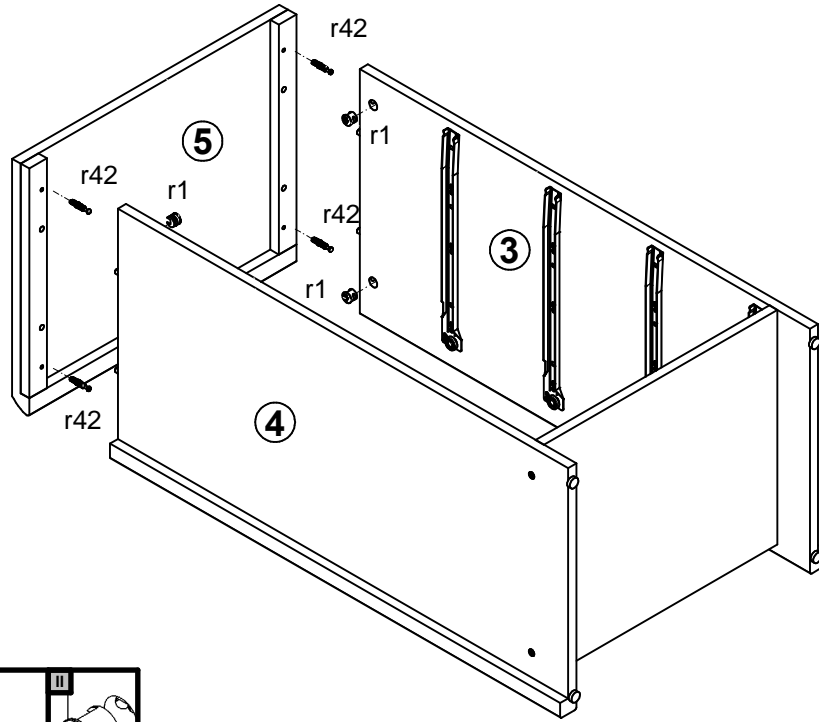
1



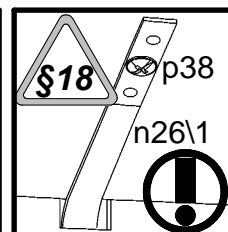
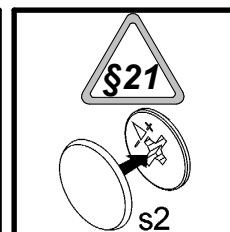
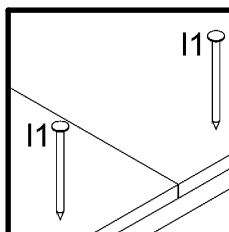
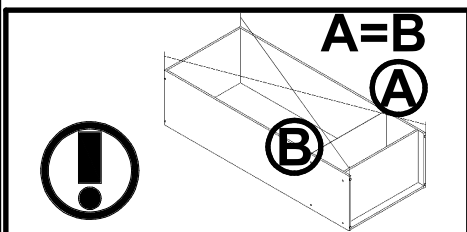
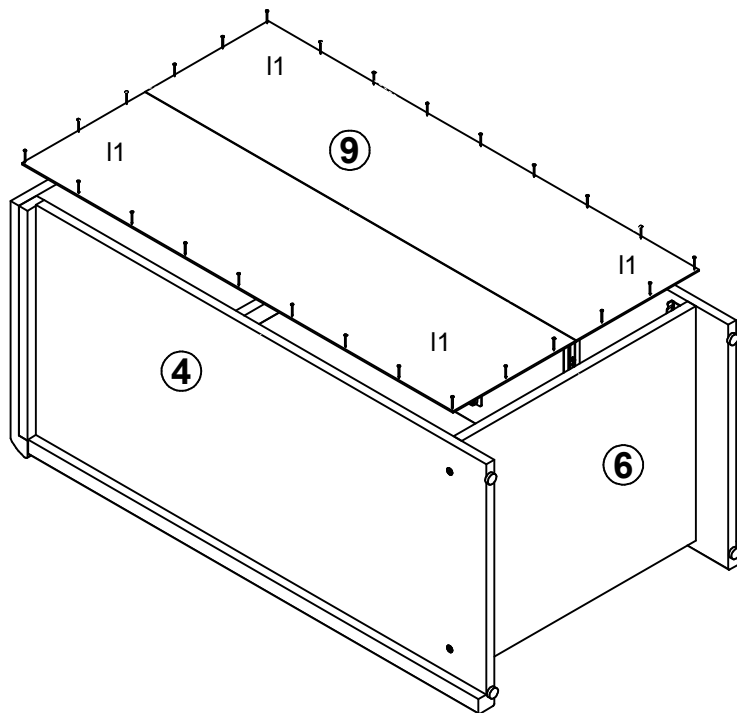
2



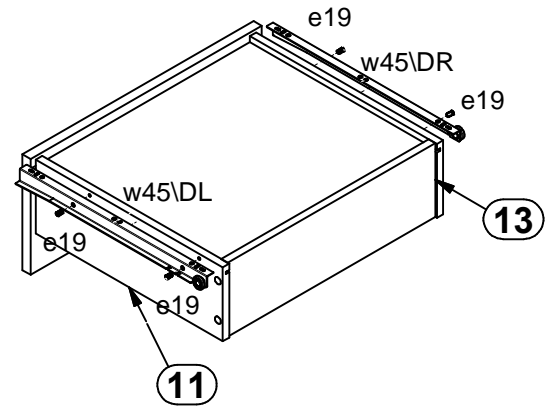
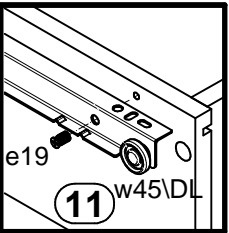
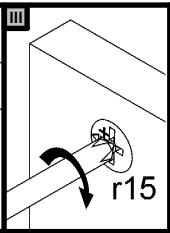
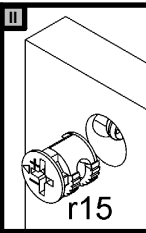
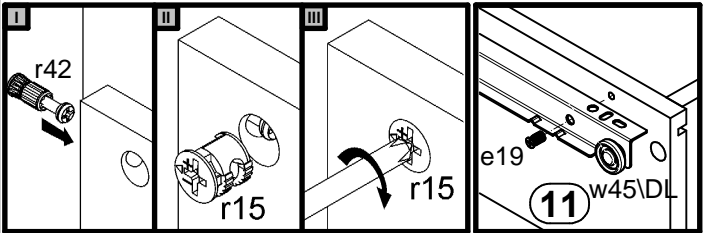
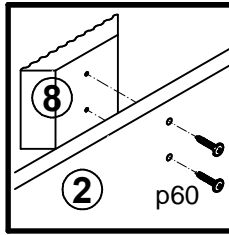
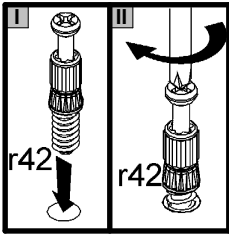
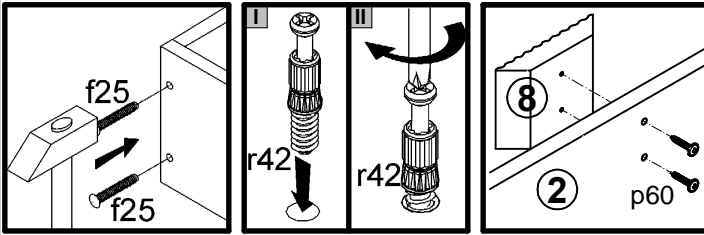
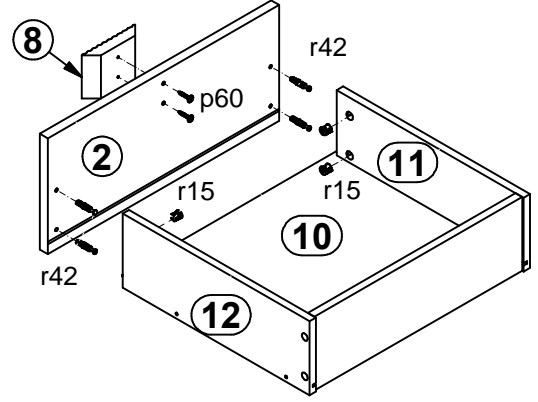
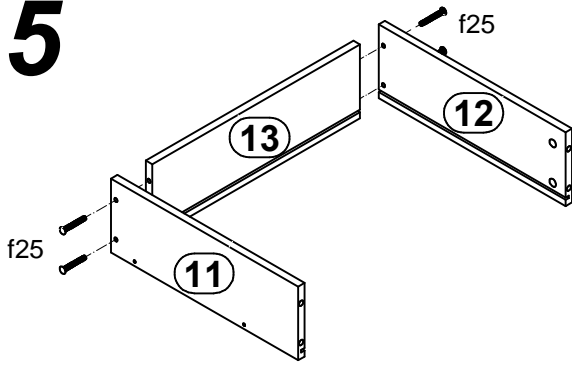
3



4



5



6

