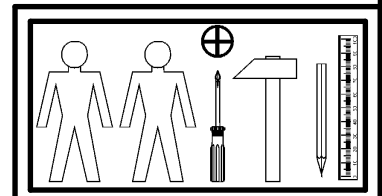
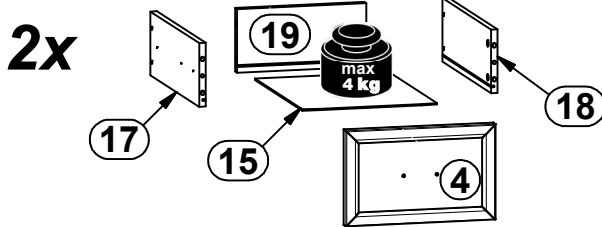
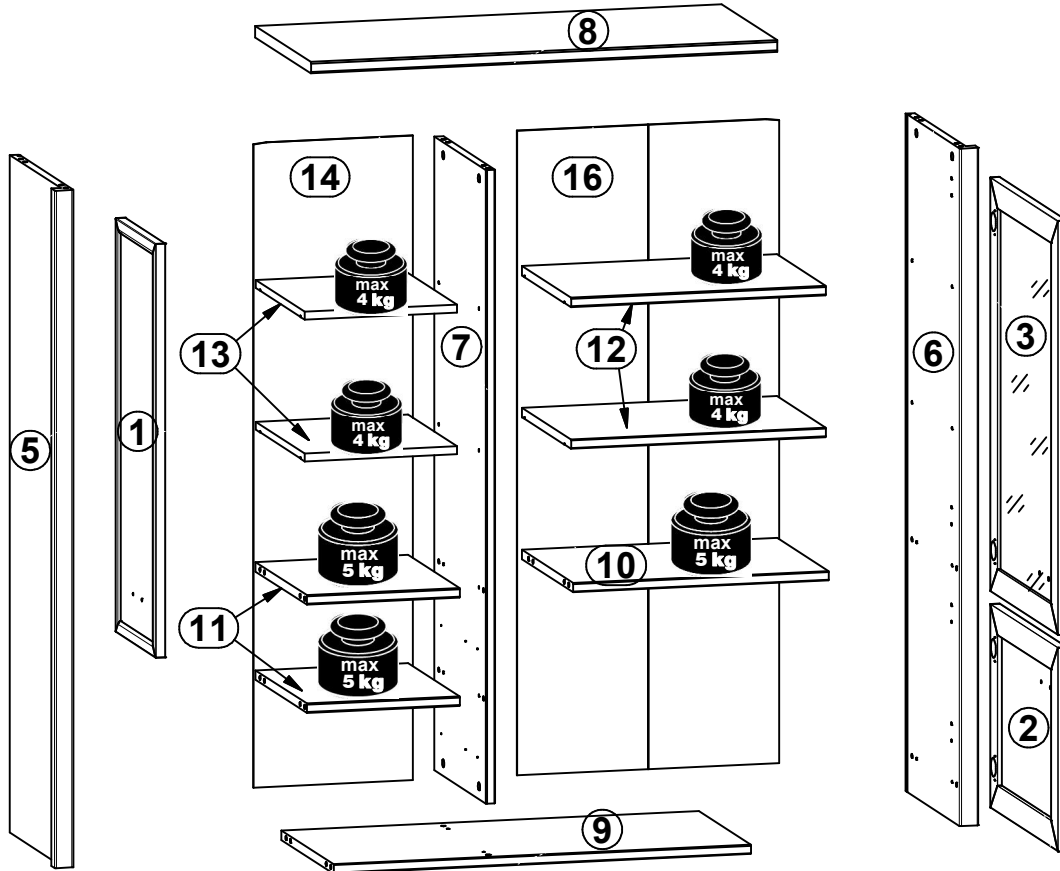
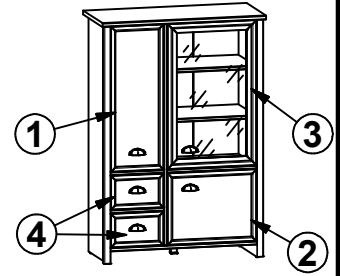


A

CANNET

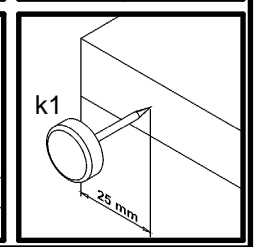
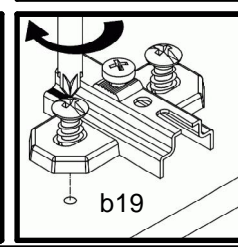
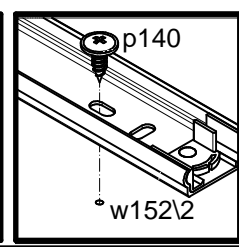
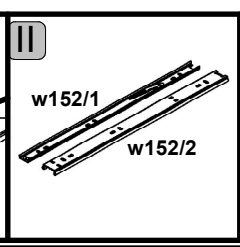
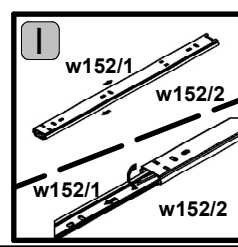
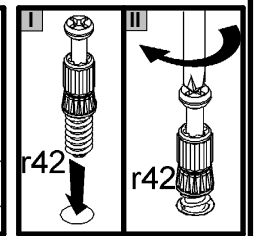
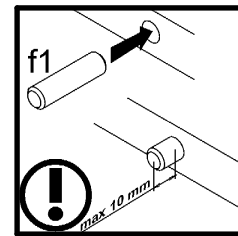
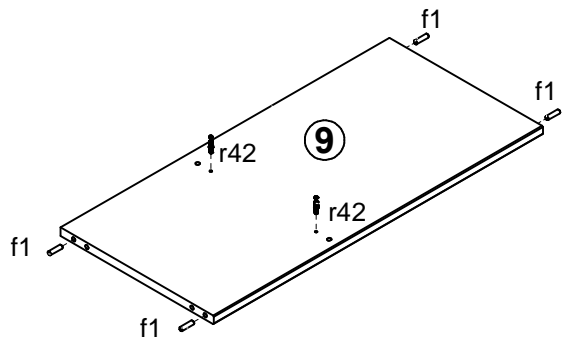
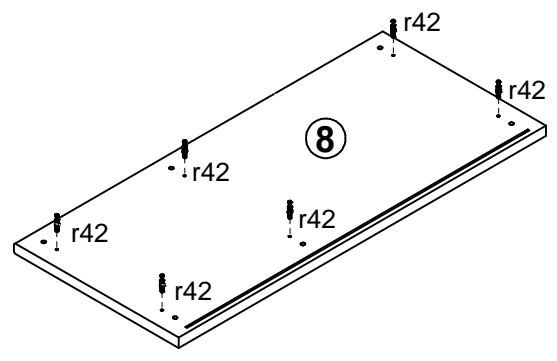
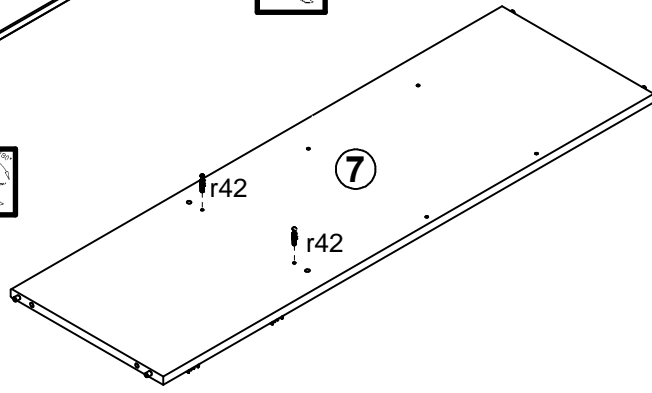
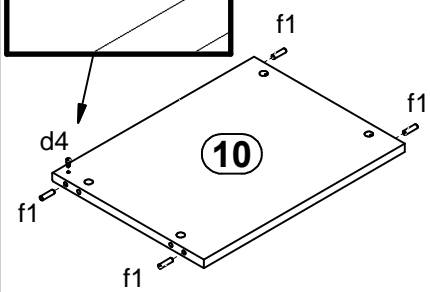
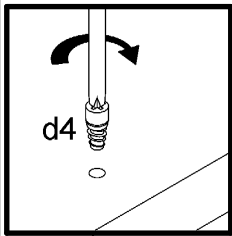
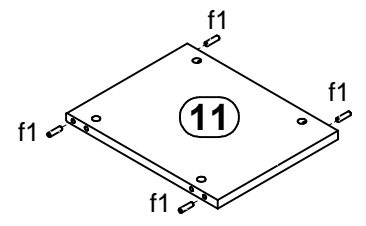
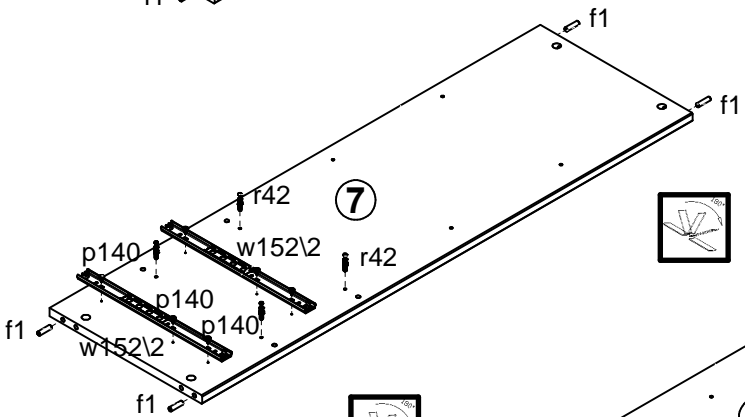
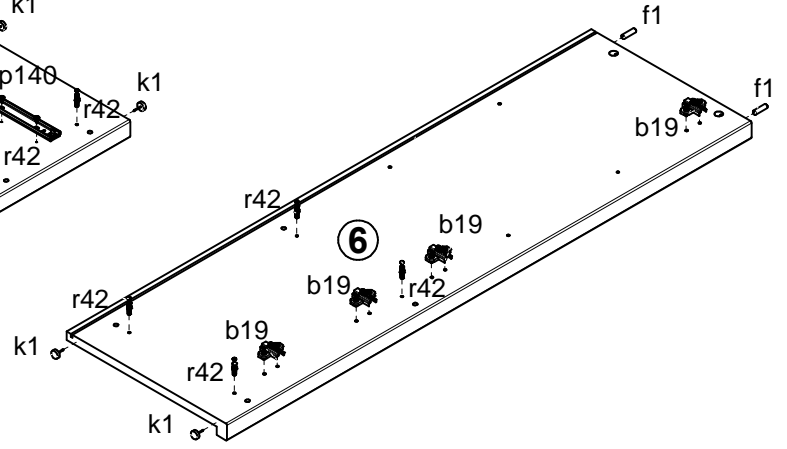
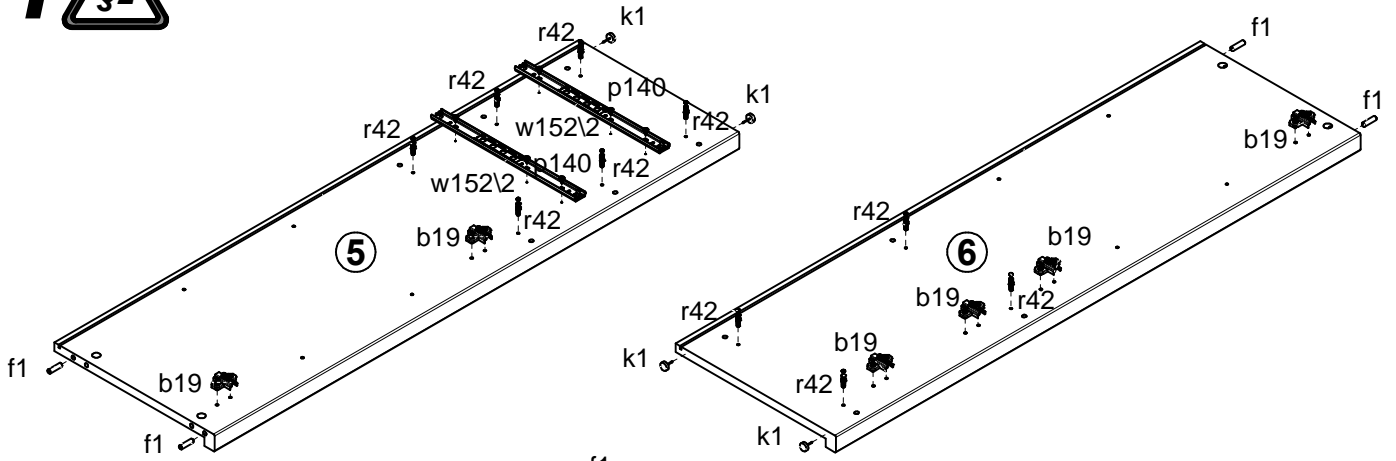
S351-REG2D1W2S

A	B	C	D	A	B	C	D		
1	S351-0013	780	287	3/4	11	S351-3021	293	369	2/4
2	S351-0014	384	484	4/4	12	S351-3022	489	351	2/4
3	S351-0015	780	484	4/4	13	S351-3023	292	351	2/4
4	S351-0016	287	180	3/4	14	S351-9009	1215	306	1/4
5	S351-1024	1277	390	1/4	15	S351-9010	258	343	2/4
6	S351-1025	1277	390	1/4	16	S351-9308	1215	503	1/4
7	S351-1026	1194	371	1/4	17	ZK1-503	350	120	2/4
8	S351-2009	895	400	2/4	18	ZK1-504	350	120	2/4
9	S351-3019	801	373	2/4	19	ZS1-6563	248	120	2/4
10	S351-3020	490	369	2/4					

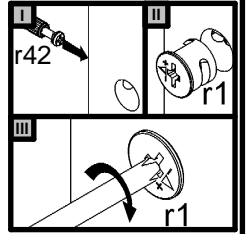
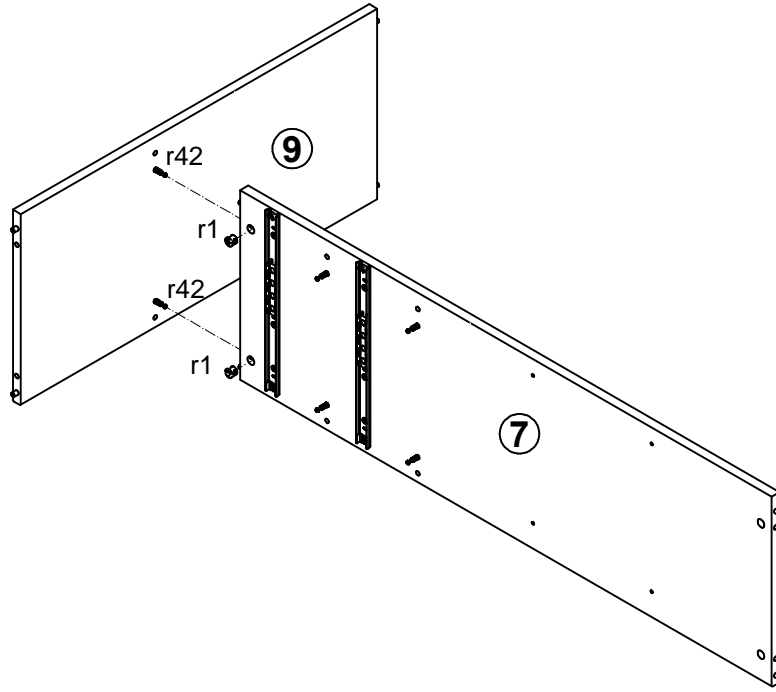


6x K16 a43	6x b19	5x 64 mm c434	16x Ø5x17 mm d1	1x Ø6.3x15 mm d4	1x Ø6.3x13 mm e2	24x Ø8x30 mm f1	8x Ø6.5x40 mm f25	4x Ø6x30 mm f9
10x M4x10 mm j106	4x k1	1x 42.5x42.5x4 mm k38 3	1x 30x30x60 mm k38 8	45x l1	11x l2	4x silikon o21	2x Ø5/Ø10x1.4 mm o26	2x Ø6.5/Ø10x5.2 mm o27
24x Ø3.5x12 mm p140	4x Ø3.5x16 mm p38	12x Ø3.5x15 mm p51	24x Ø15x12 mm #16 r1	8x Ø12x10.5 mm #12 r15	32x 20/11 r42	4x 350/580 mm w152 1	4x 350/580 mm w152 2	
6x Ø16 s2	1x n26 1	1x Ø3.5x16 mm p38						

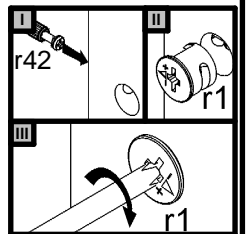
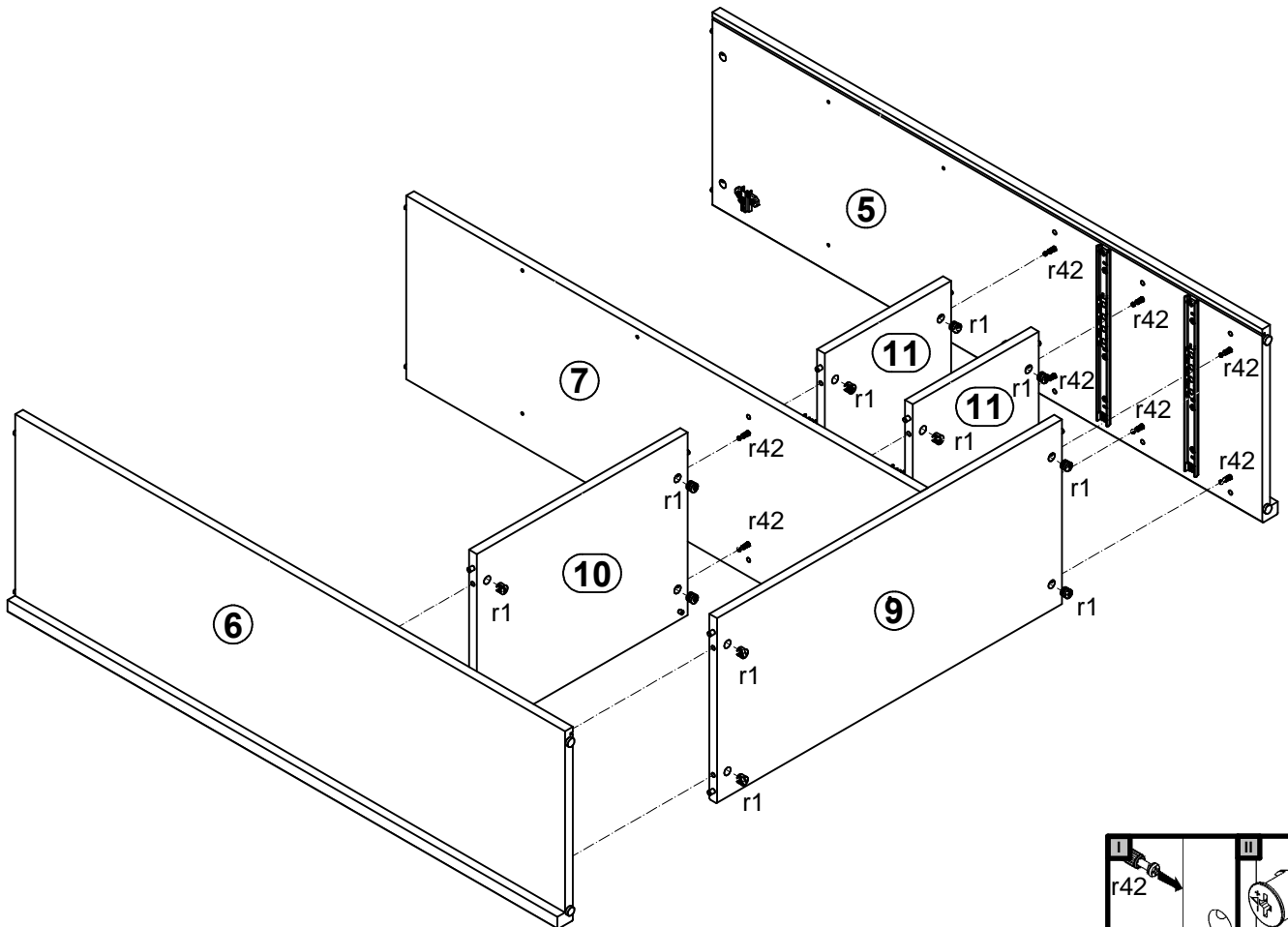
1 



2

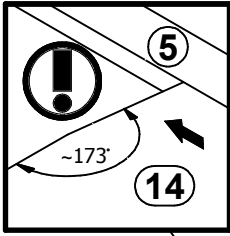
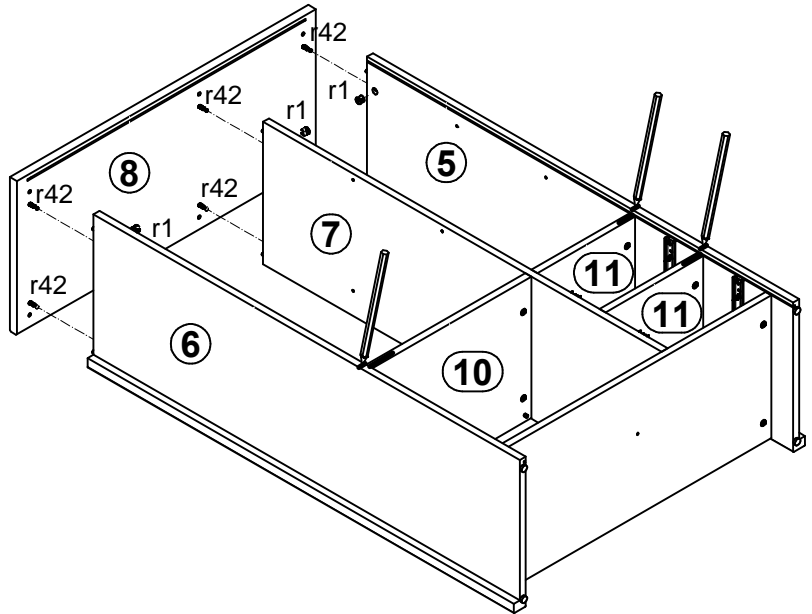


3

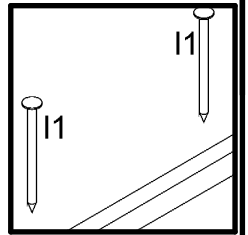
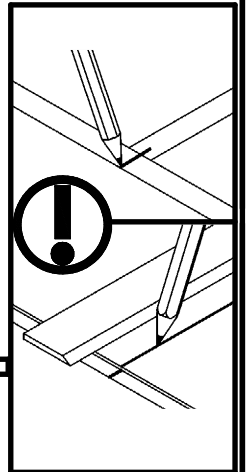
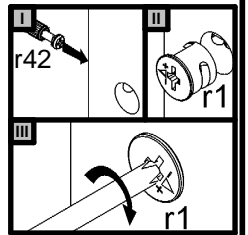
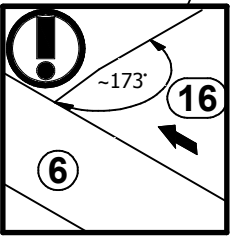
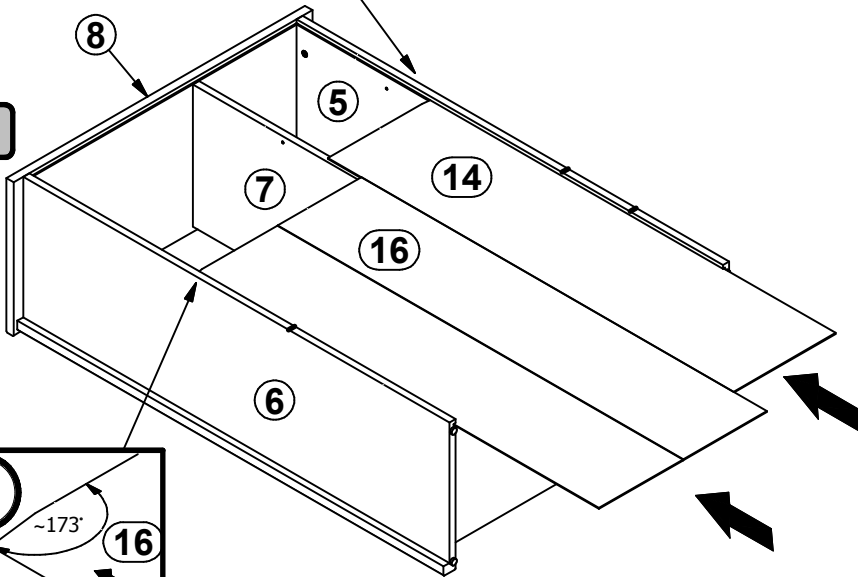


4

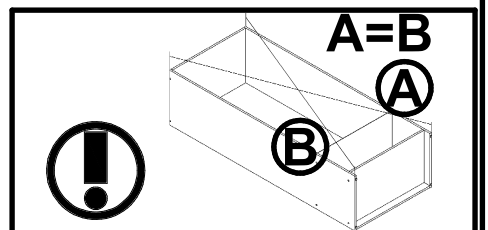
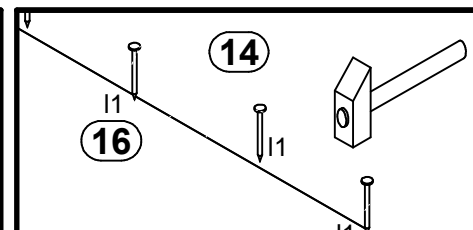
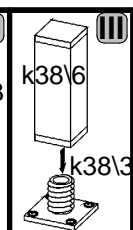
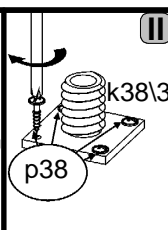
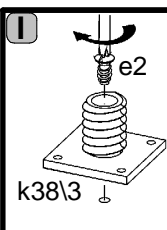
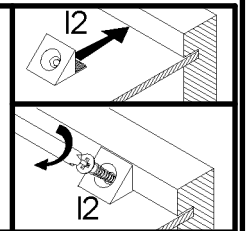
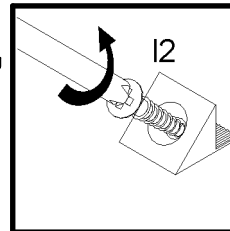
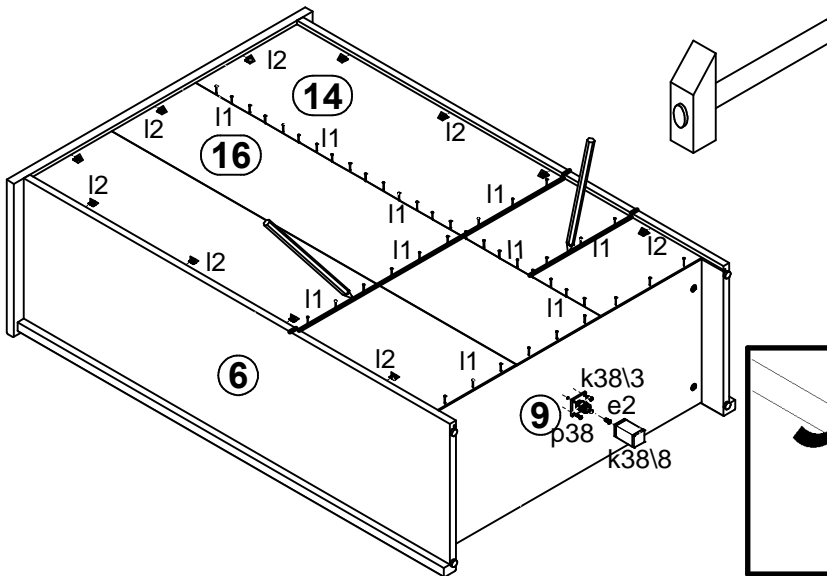
I



II



5



6

