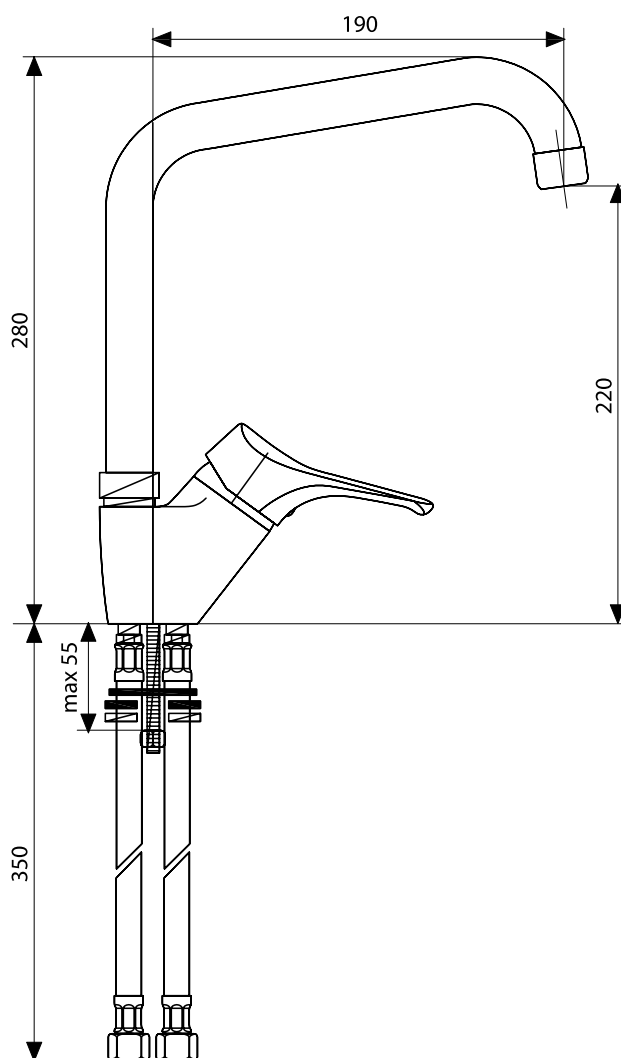


**S1000 - Z85 - cod. 8442 500**



[www.fosterspa.com](http://www.fosterspa.com)