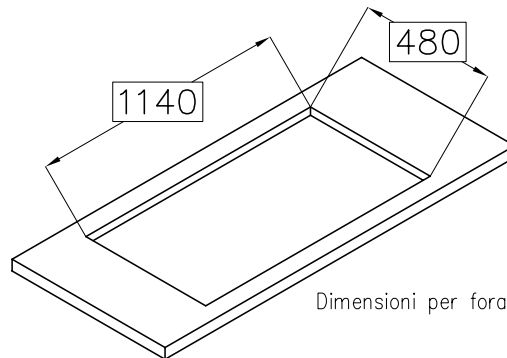
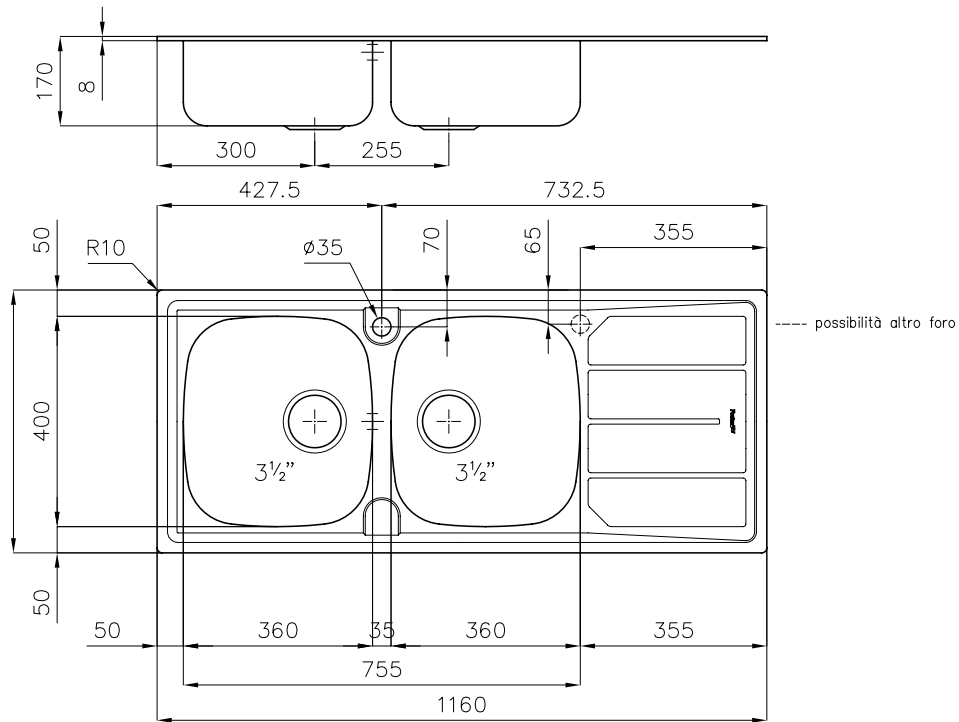


S1000 .2V.36x40.STD



cod. 1812 *6*



Dimensioni per foratura top

www.fosterspa.com