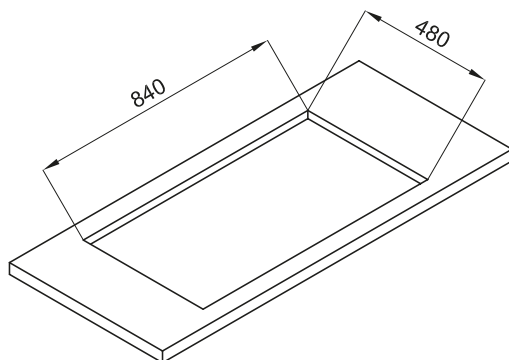
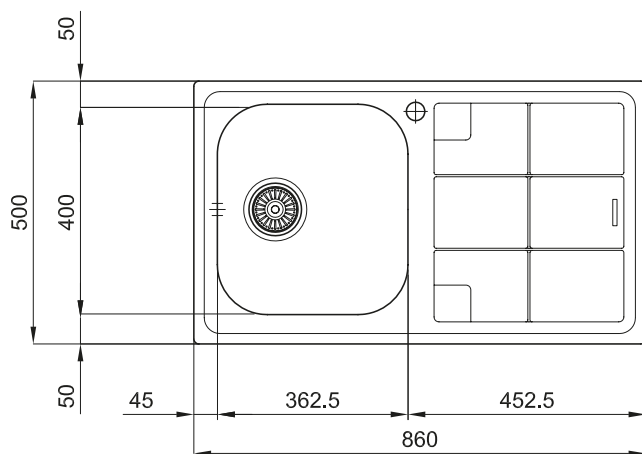
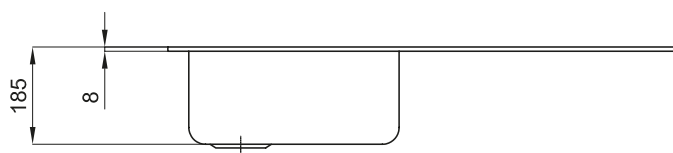


F300.86.1V.STD



cod. 1351 061 **dx** - 1351 062 **sx**



www.fosterspa.com