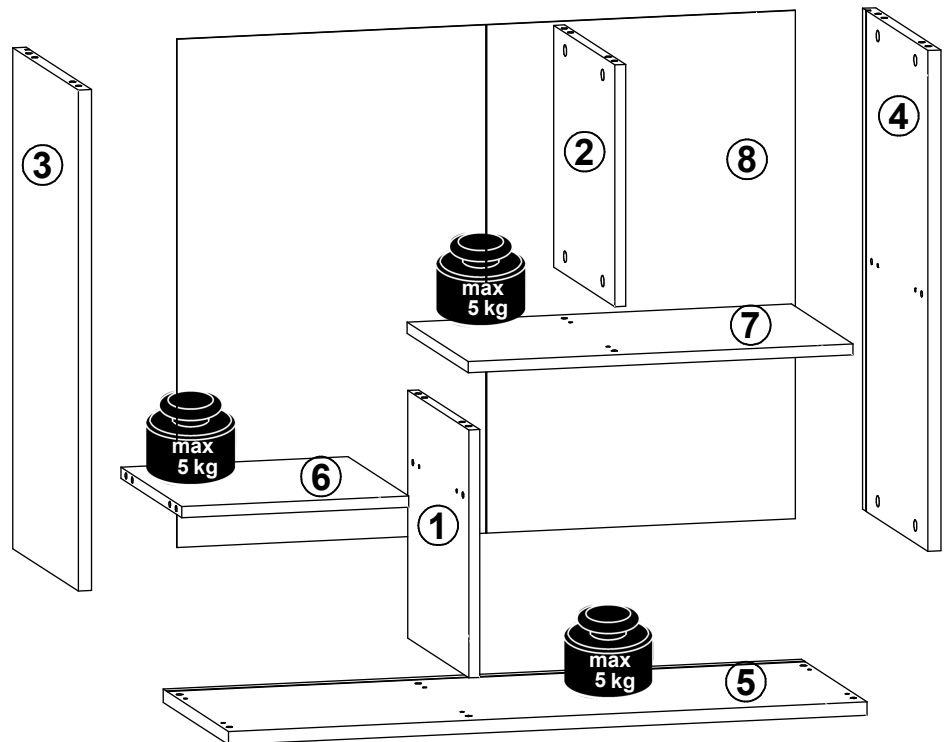
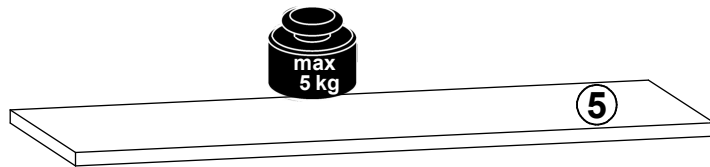
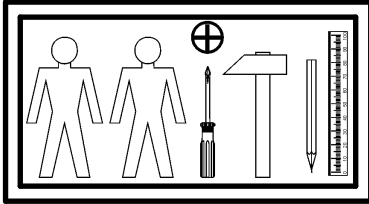
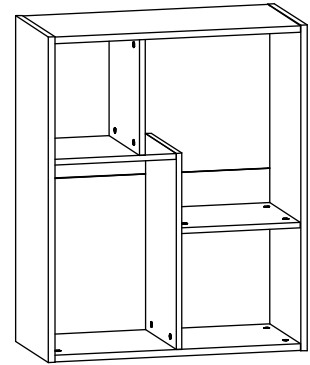
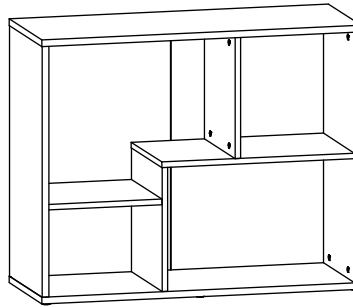
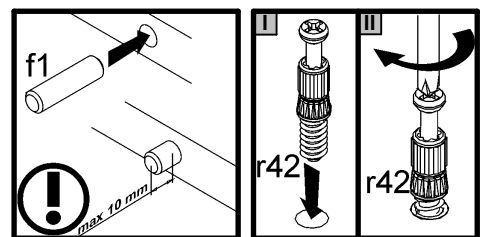
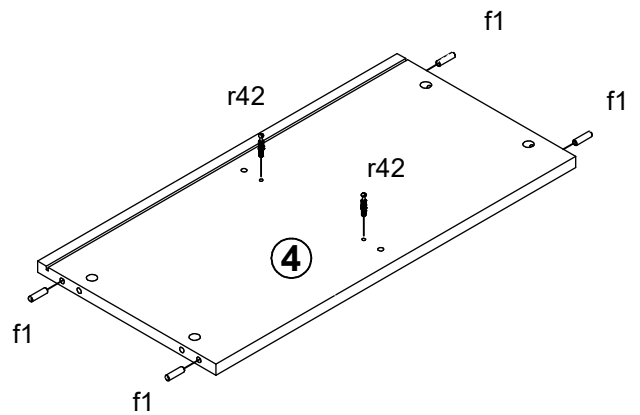
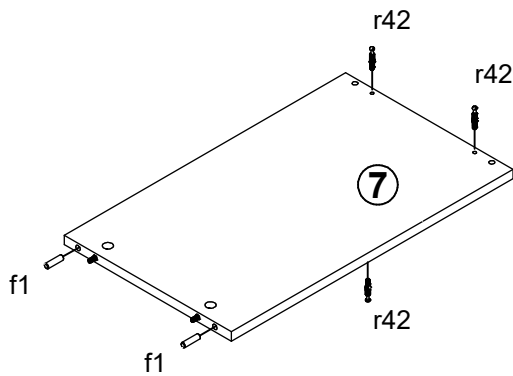
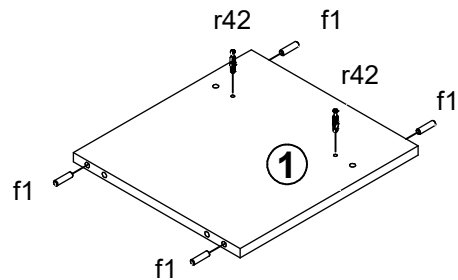
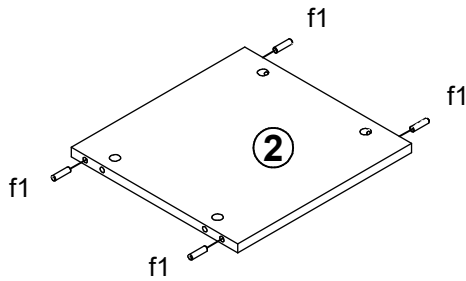
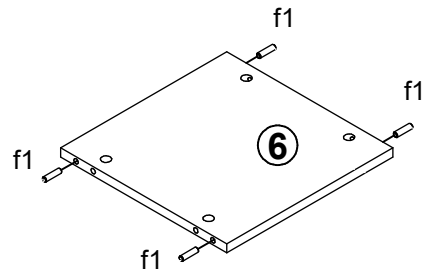
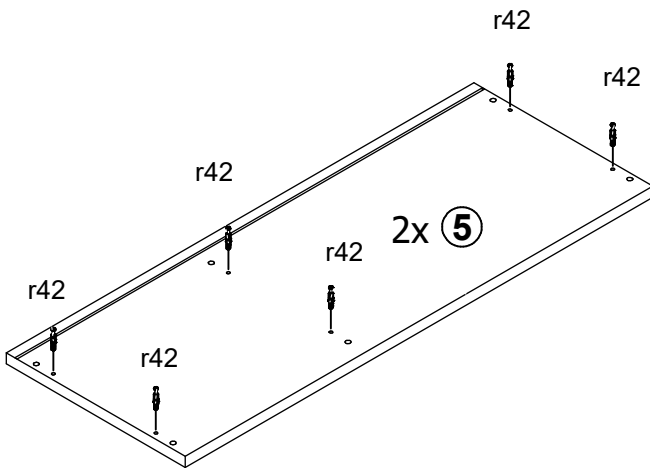
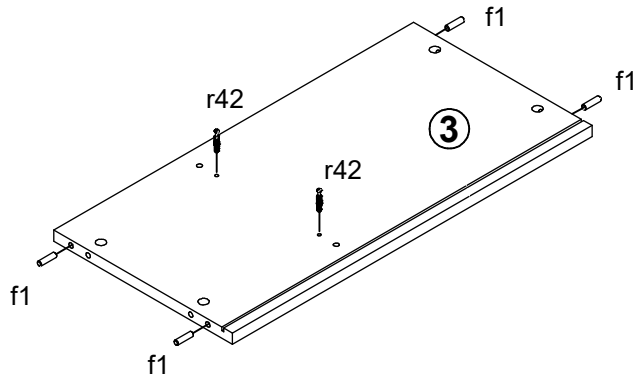


A	B	C		D
1	S442-1006	333	312	1/1
2	S442-1007	325	312	1/1
3	S442-1008	673	334	1/1
4	S442-1009	673	334	1/1
5	S442-2001	875	335	1/1
6	S442-3003	311	311	1/1
7	S442-3004	527	313	1/1
8	S442-9302	683	847	1/1

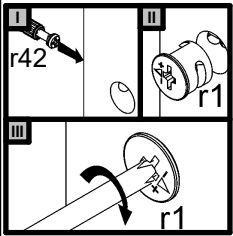
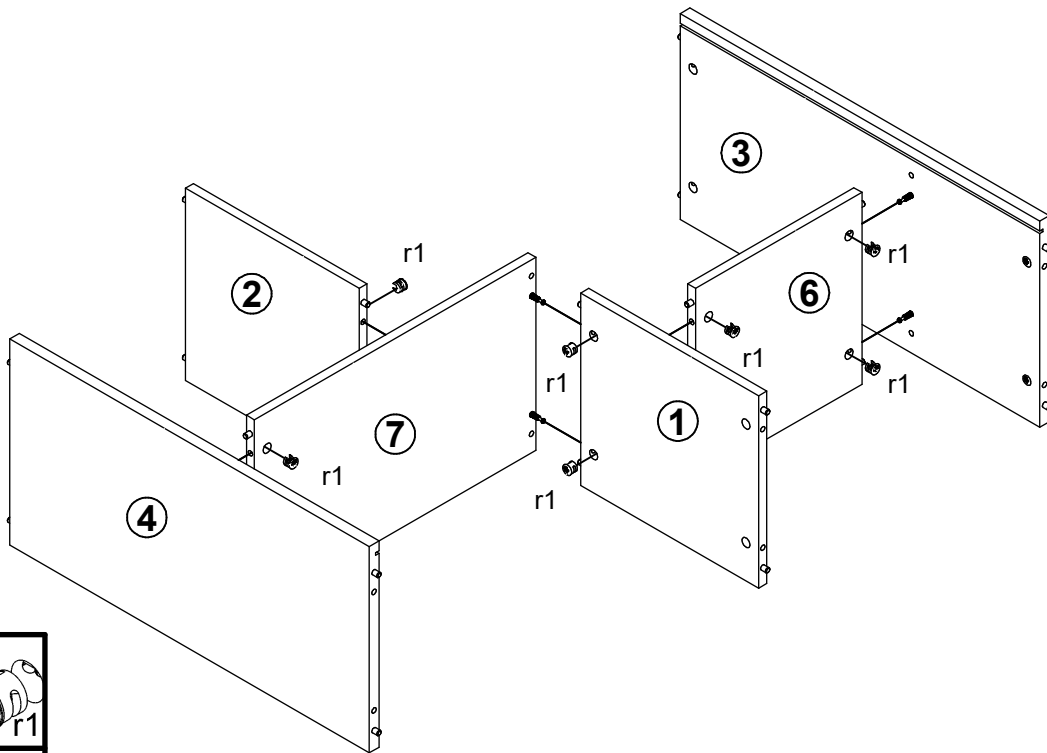


22x Ø8x30 mm f1	6x Ø20x3mm k103	8x l2	22x Ø15x12 mm #16 r1
22x 20/11 r42	22x Ø20mm s68	1x n26\1	1x Ø3.5x16 mm p38

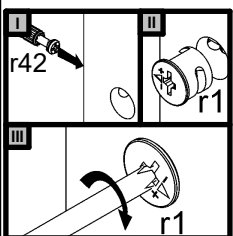
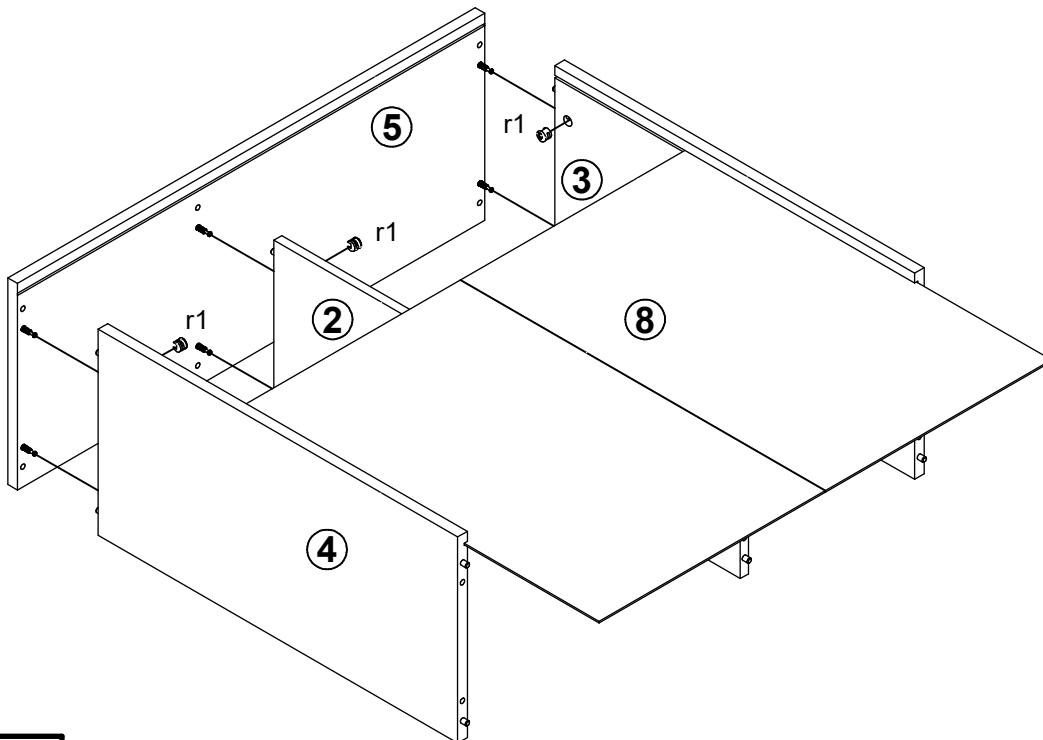
1 



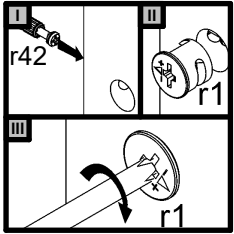
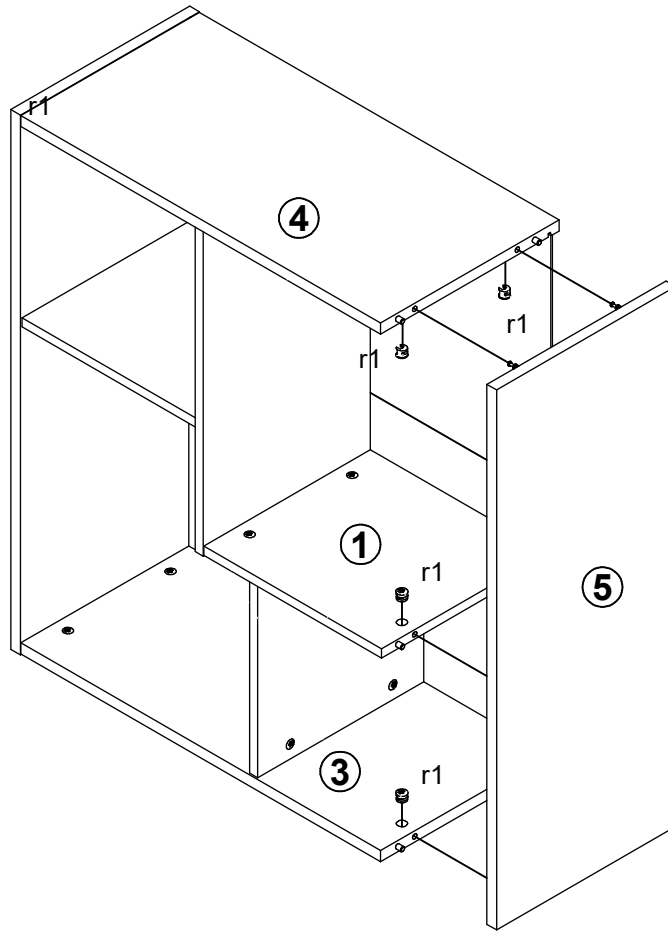
2



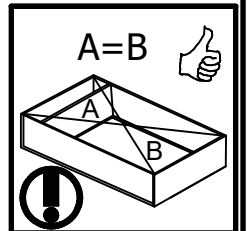
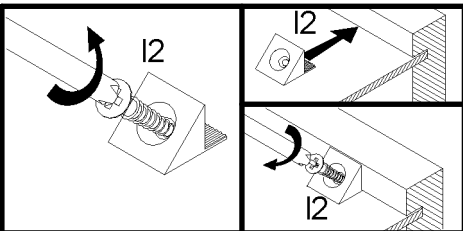
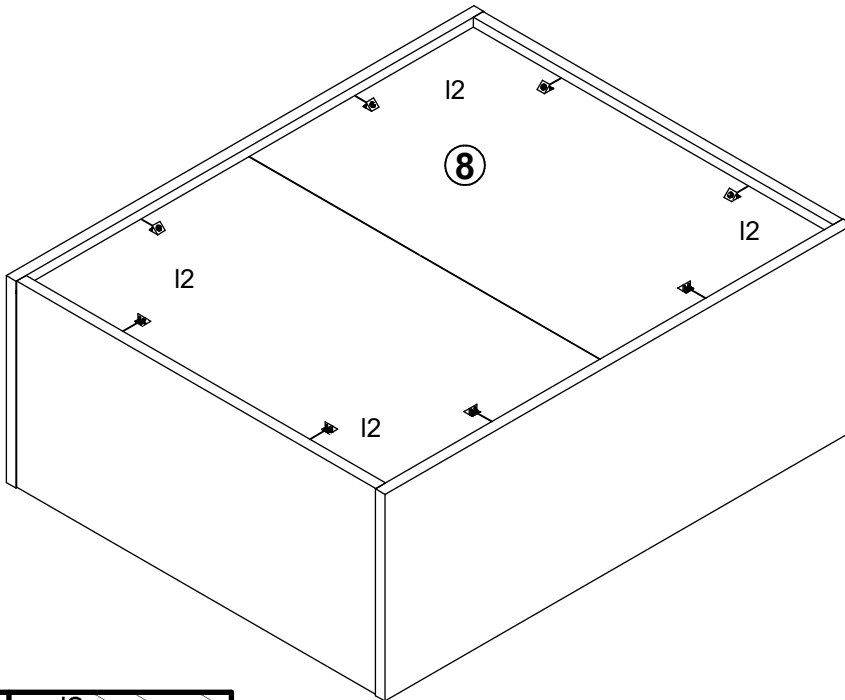
3



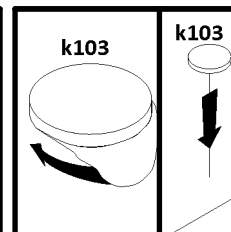
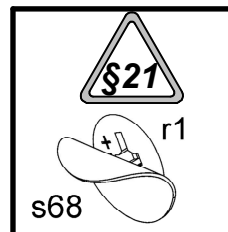
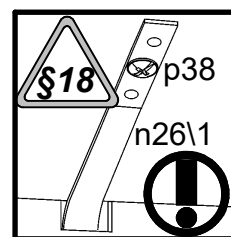
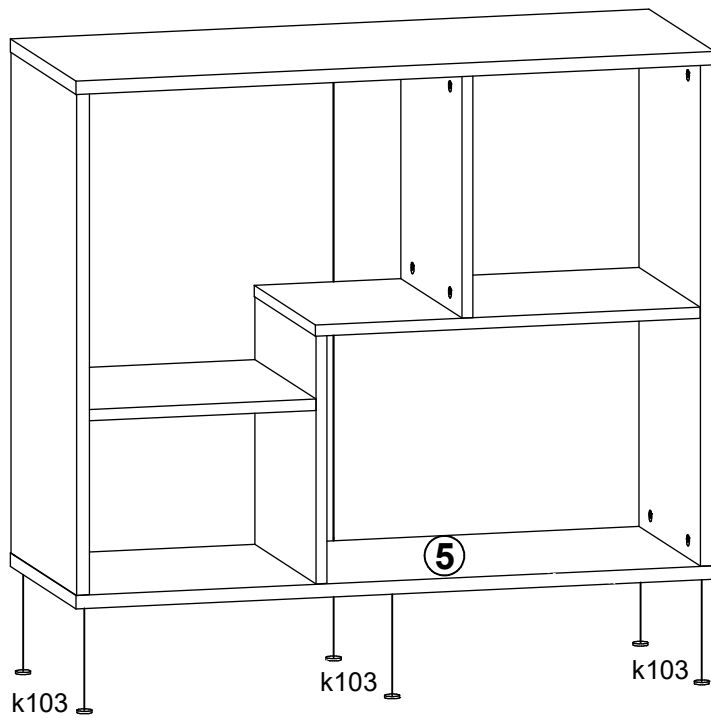
4



5



6A



6B

