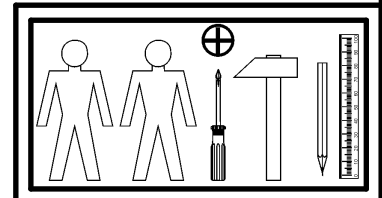
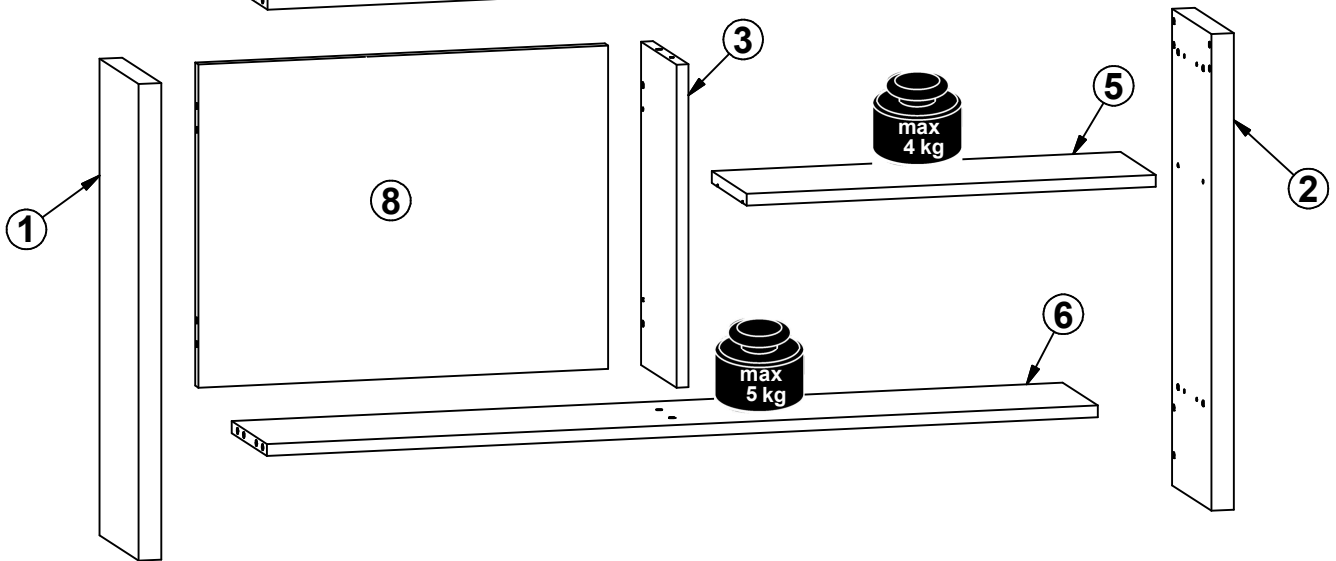
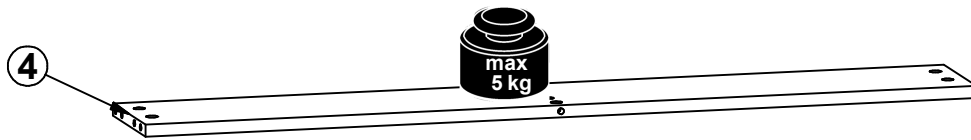
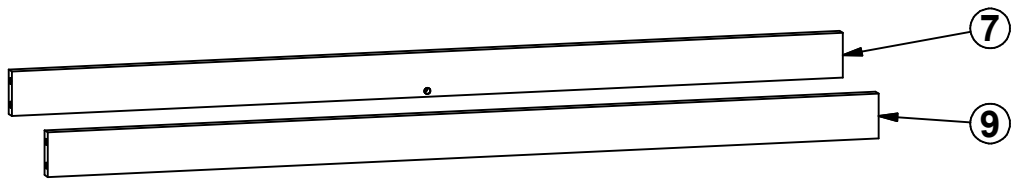
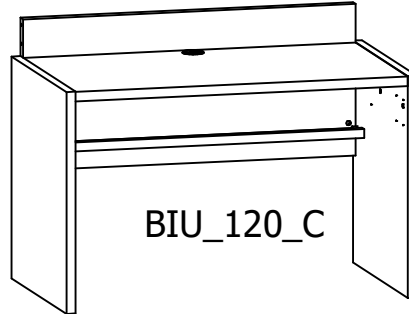
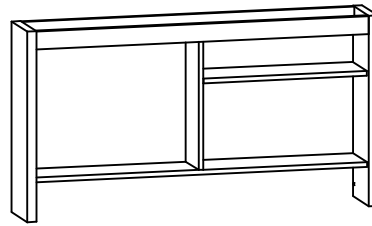


A

PRINCETON

S406-NAD/BIU

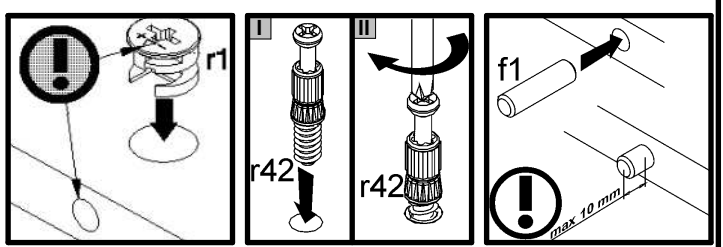
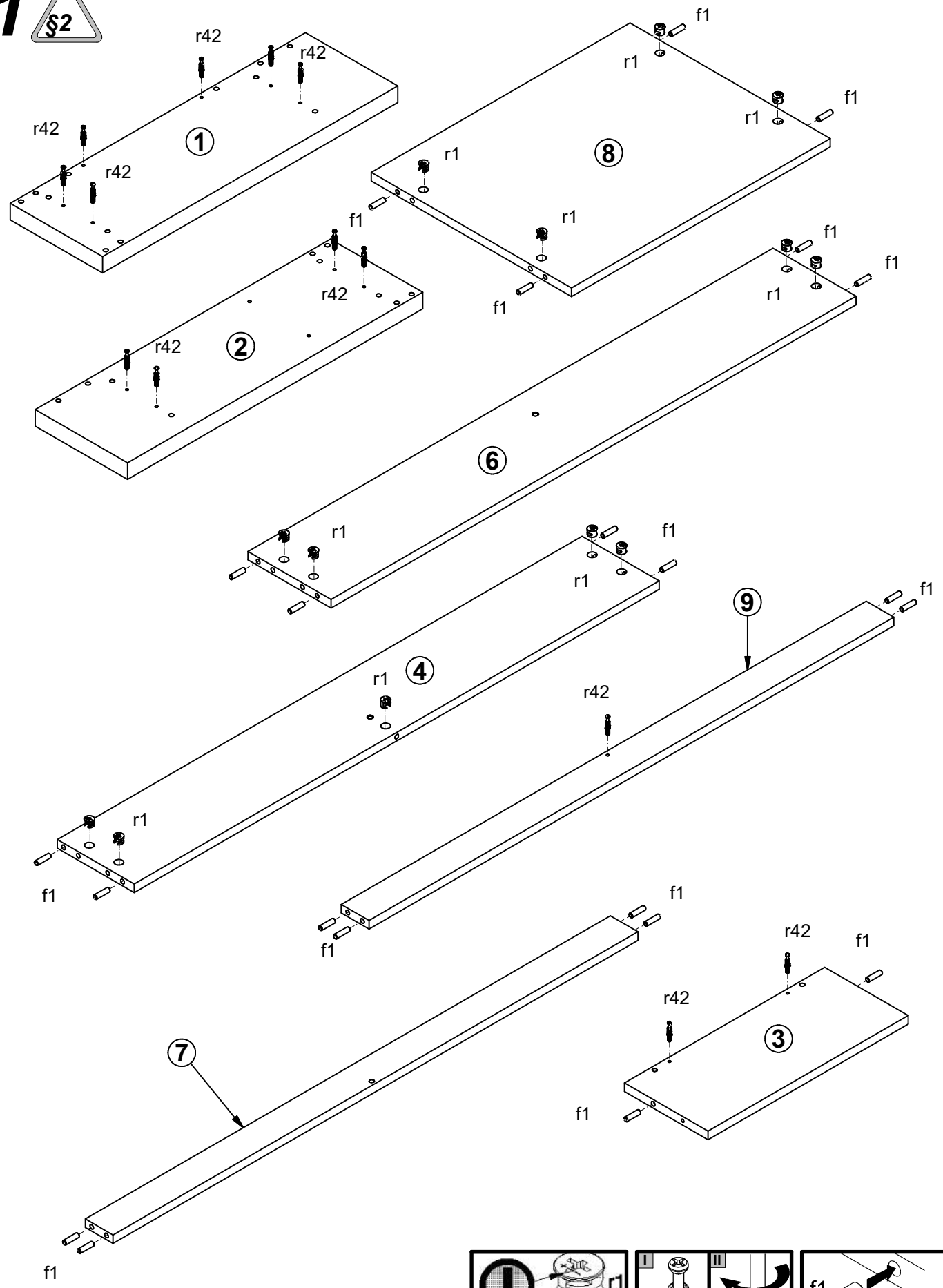
A	B	C	D
1	S406-1004	640	200
2	S406-1005	640	200
3	S406-1006	434	181
4	S406-3002	1138	167
5	S406-3003	560	179
6	S406-3004	1138	180
7	S406-4003	1138	60
8	S406-4005	561	434
9	S406-4031	1138	60



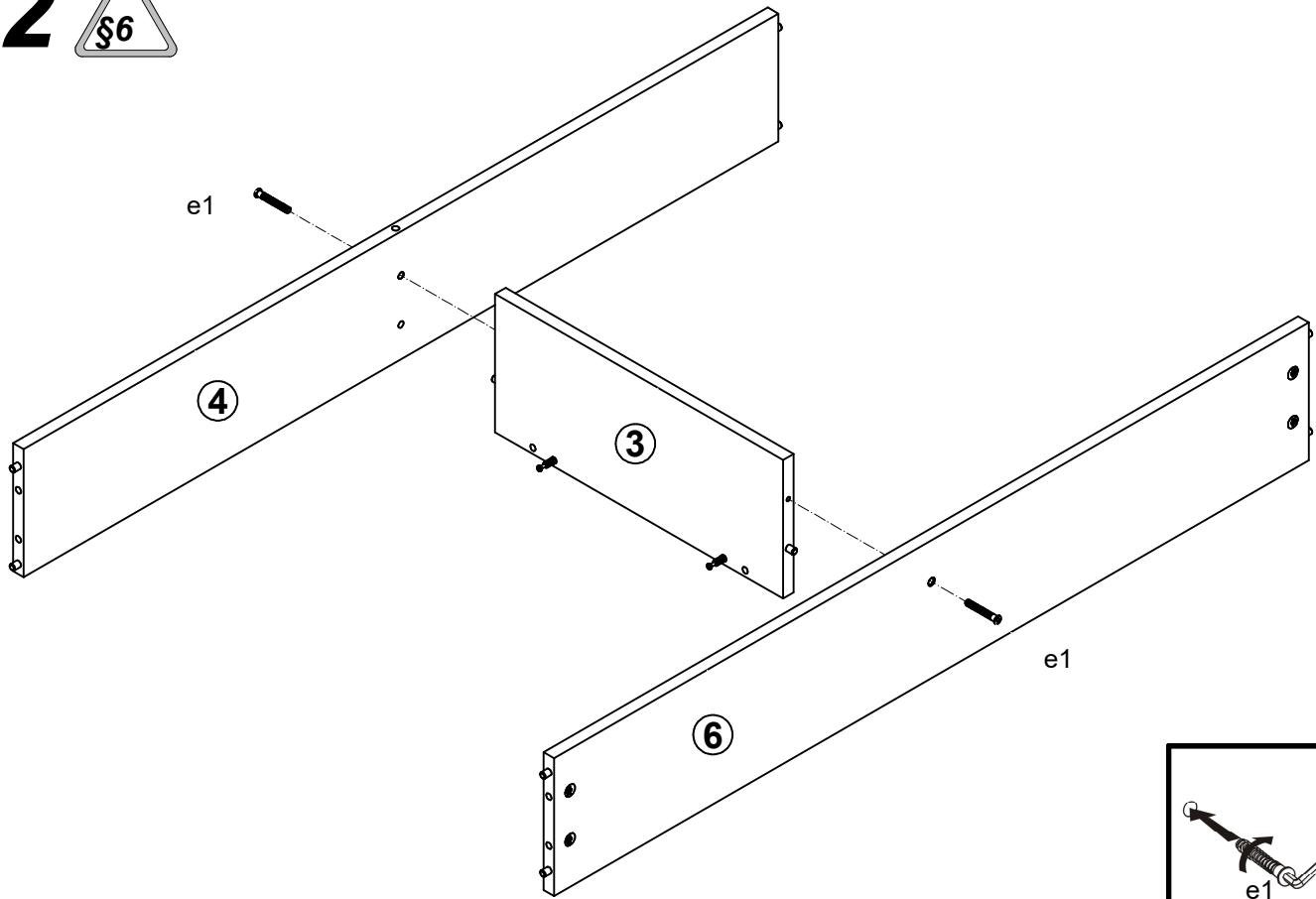
4x ∅5x17 mm d1	3x ∅7x50 mm e1	26x ∅8x30 mm f1	13x ∅15x12 mm #16 r1	13x 20/11 r42
3x s1	9x ∅16 s2	1x 4 mm z1		

1x n26\1	1x ∅3.5x16 mm p38
-------------	-------------------------

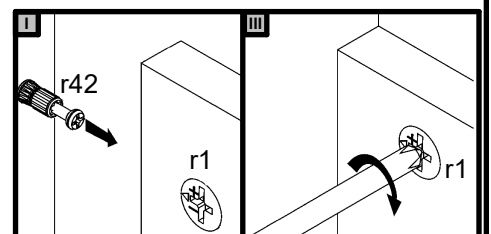
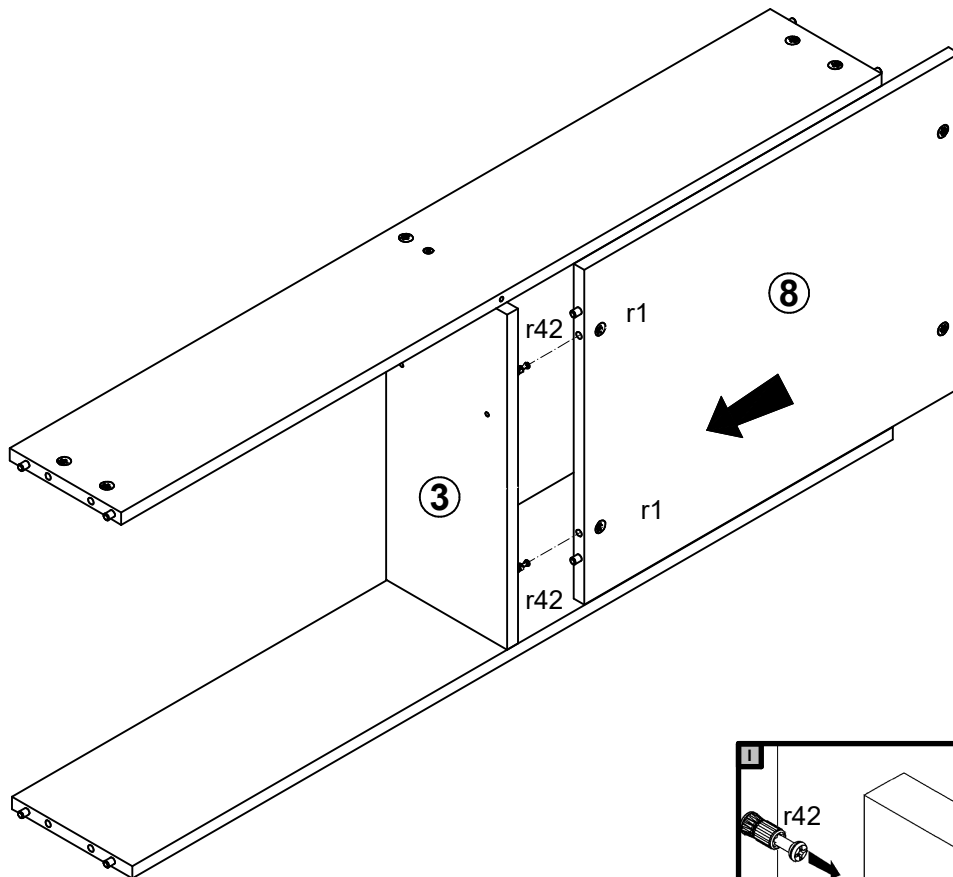
1



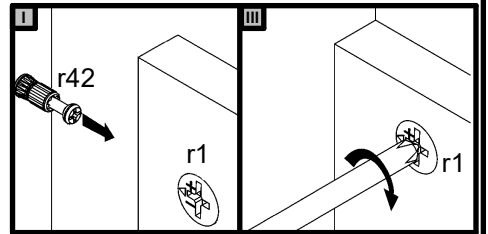
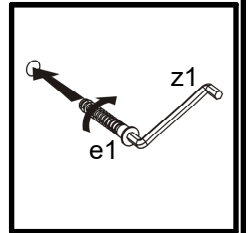
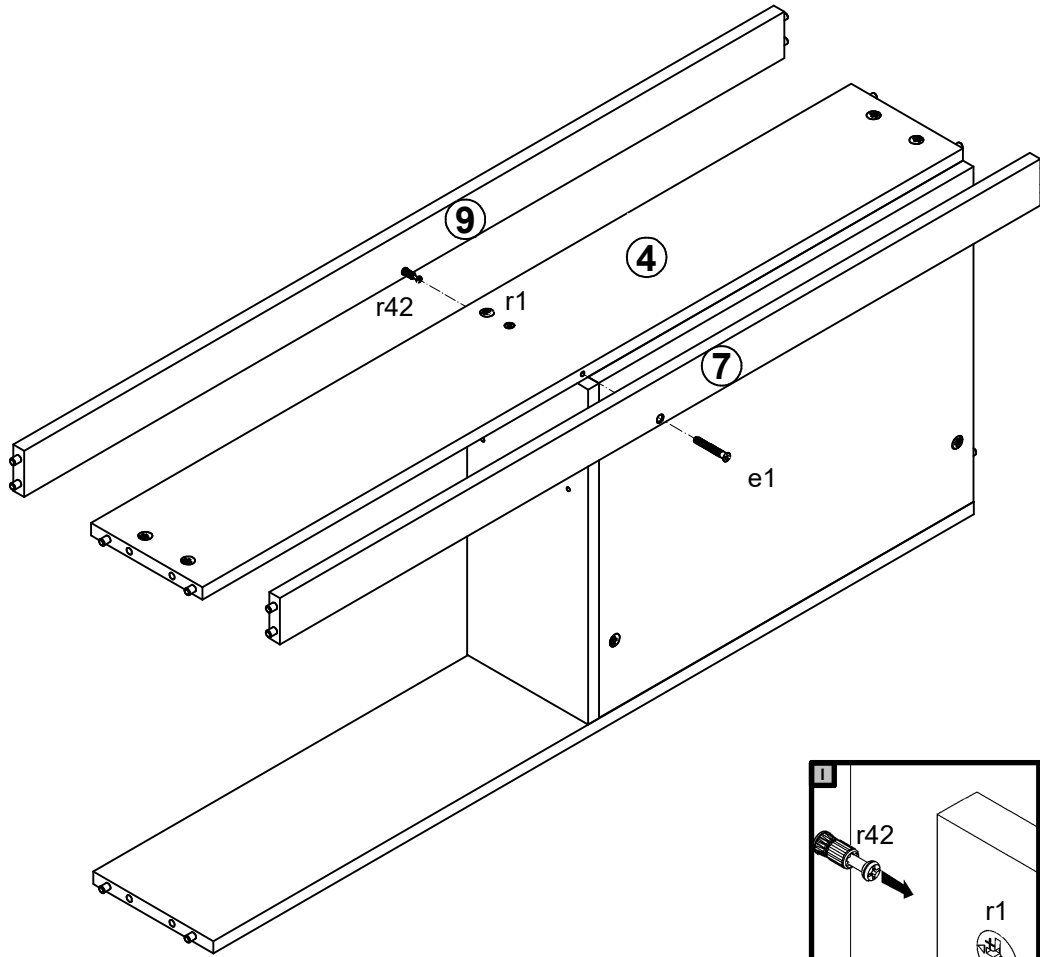
2



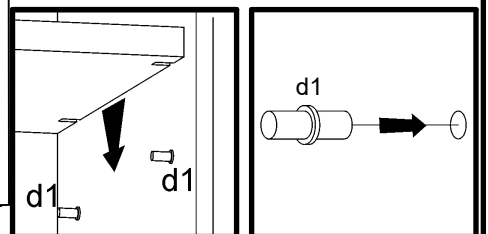
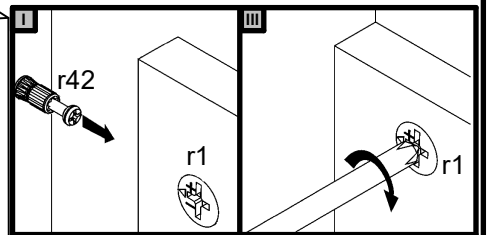
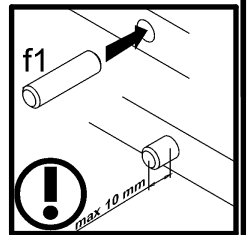
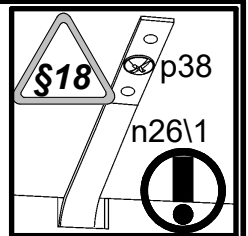
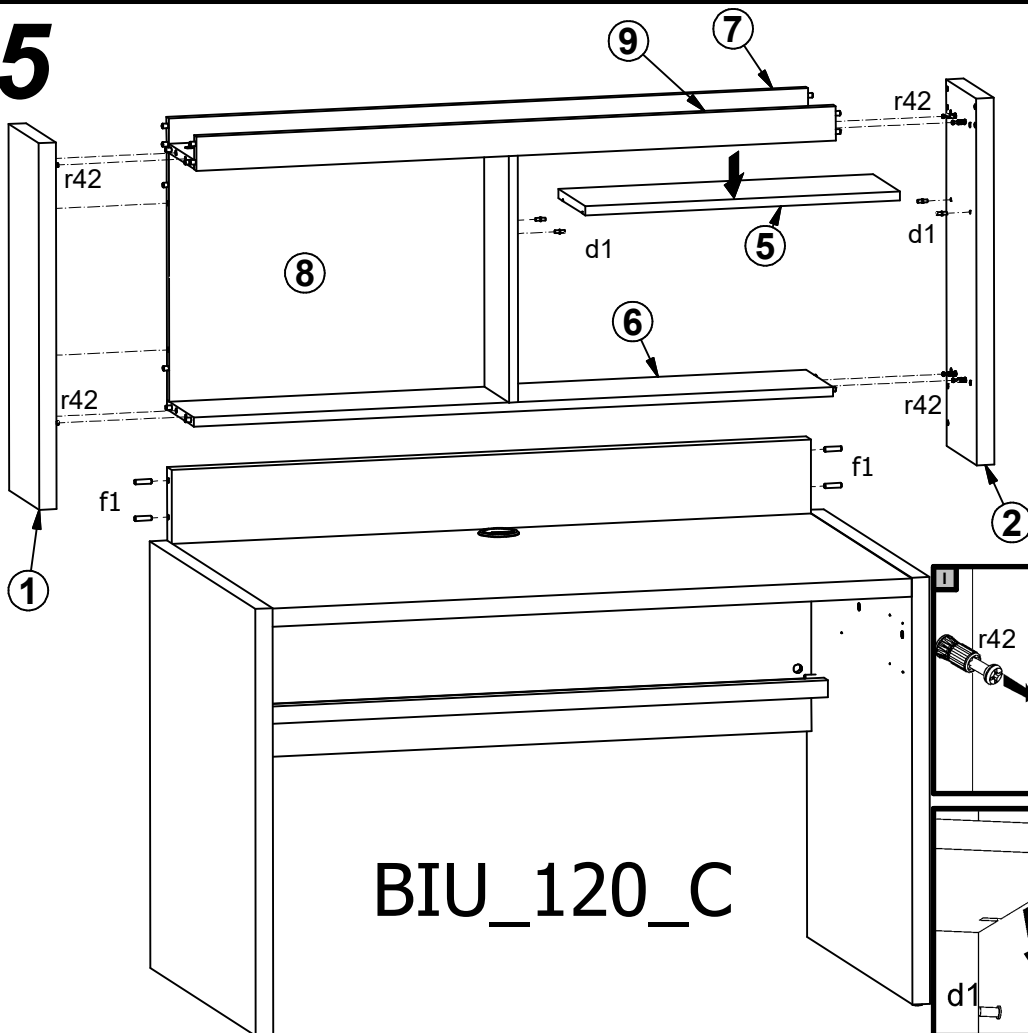
3



4



5



BIU_120_C