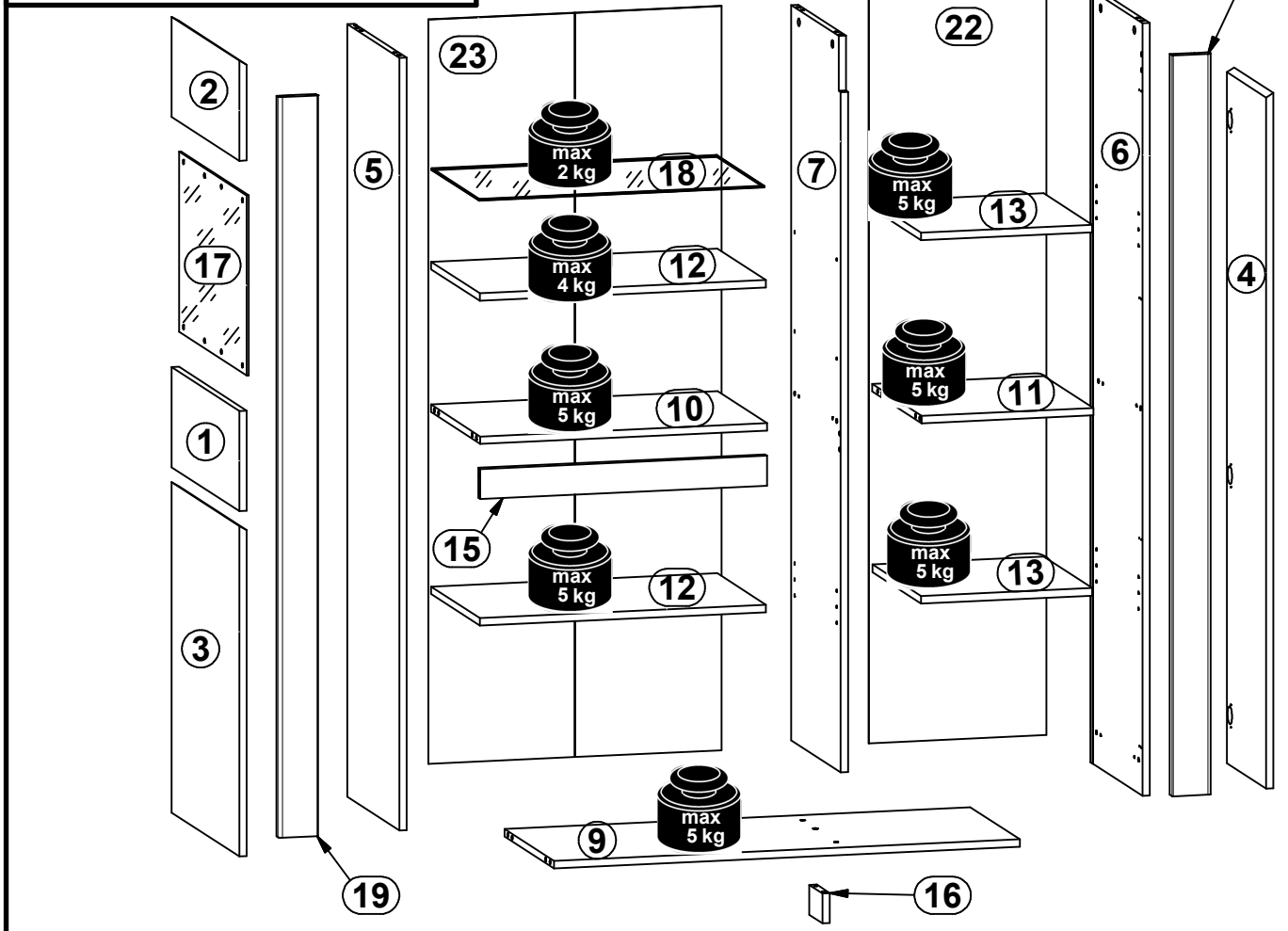
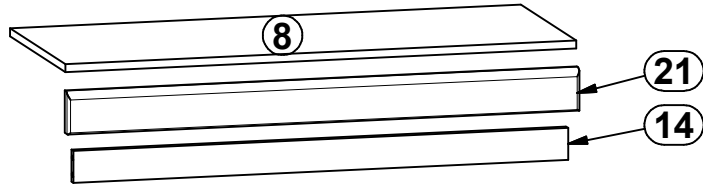
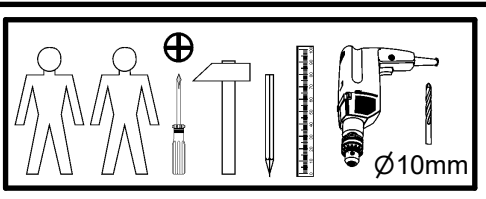
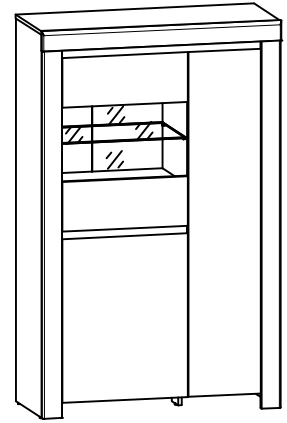


A

HOLTEN

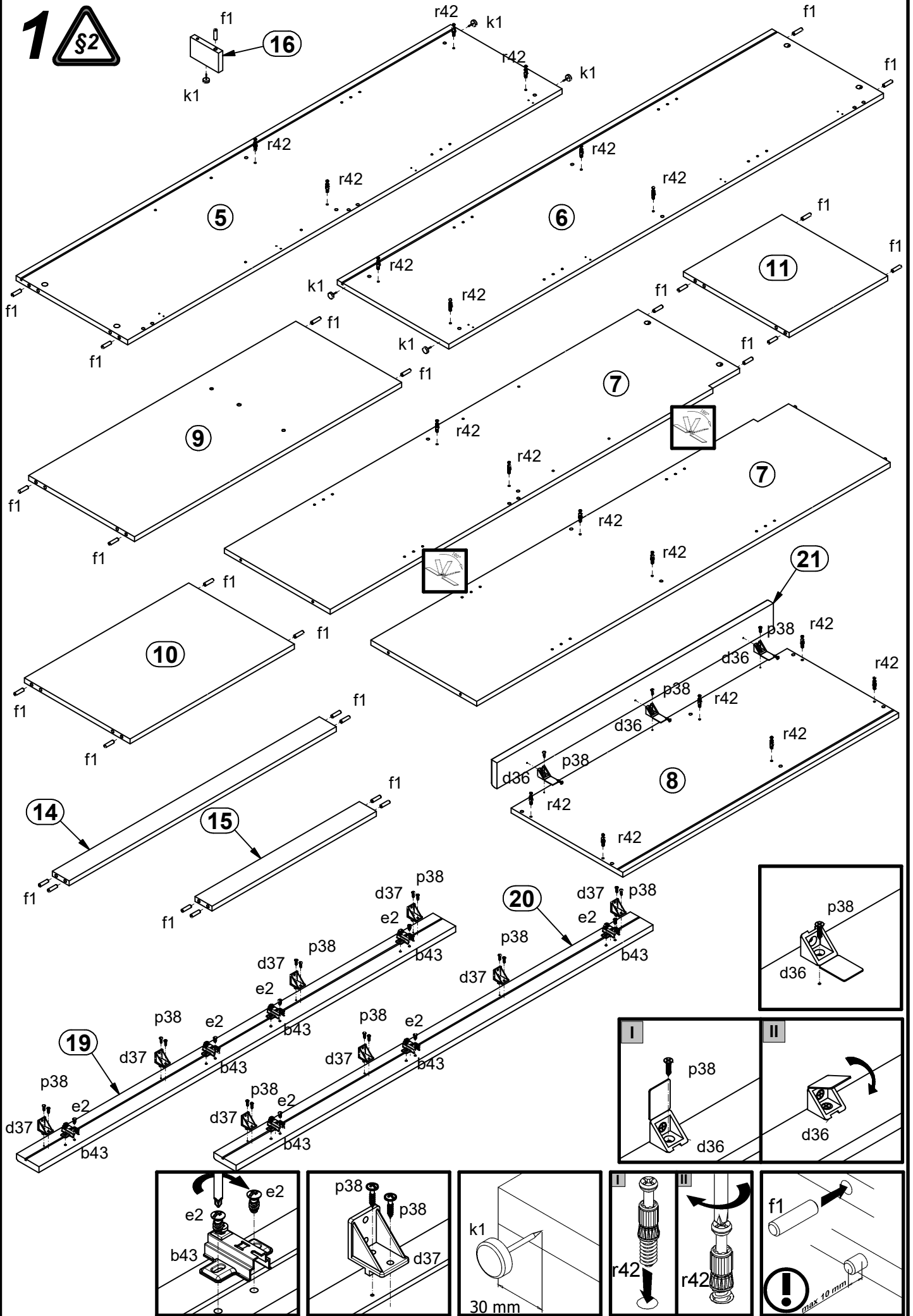
S440-REG2D1W

A	B	C	D	A	B	C	D		
1	S440-0021	515	200	2/2	13	S440-3032	349	370	2/2
2	S440-0022	515	200	2/2	14	S440-4030	949	60	2/2
3	S440-0024	660	515	2/2	15	S440-4031	584	60	2/2
4	S440-0025	1390	297	1/2	16	S440-5015	100	60	2/2
5	S440-1047	1544	396	1/2	17	S440-5049	514	360	2/2
6	S440-1048	1544	396	1/2	18	S440-5050	582	360	2/2
7	S440-1049	1469	376	1/2	19	S440-5051	1480	80	1/2
8	S440-2012	980	396	2/2	20	S440-5052	1480	80	1/2
9	S440-3028	949	376	2/2	21	S440-5053	982	80	2/2
10	S440-3029	584	376	2/2	22	S440-9016	1487	362	1/2
11	S440-3030	350	376	2/2	23	S440-9309	1487	597	1/2
12	S440-3031	583	370	2/2					

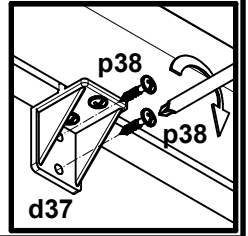
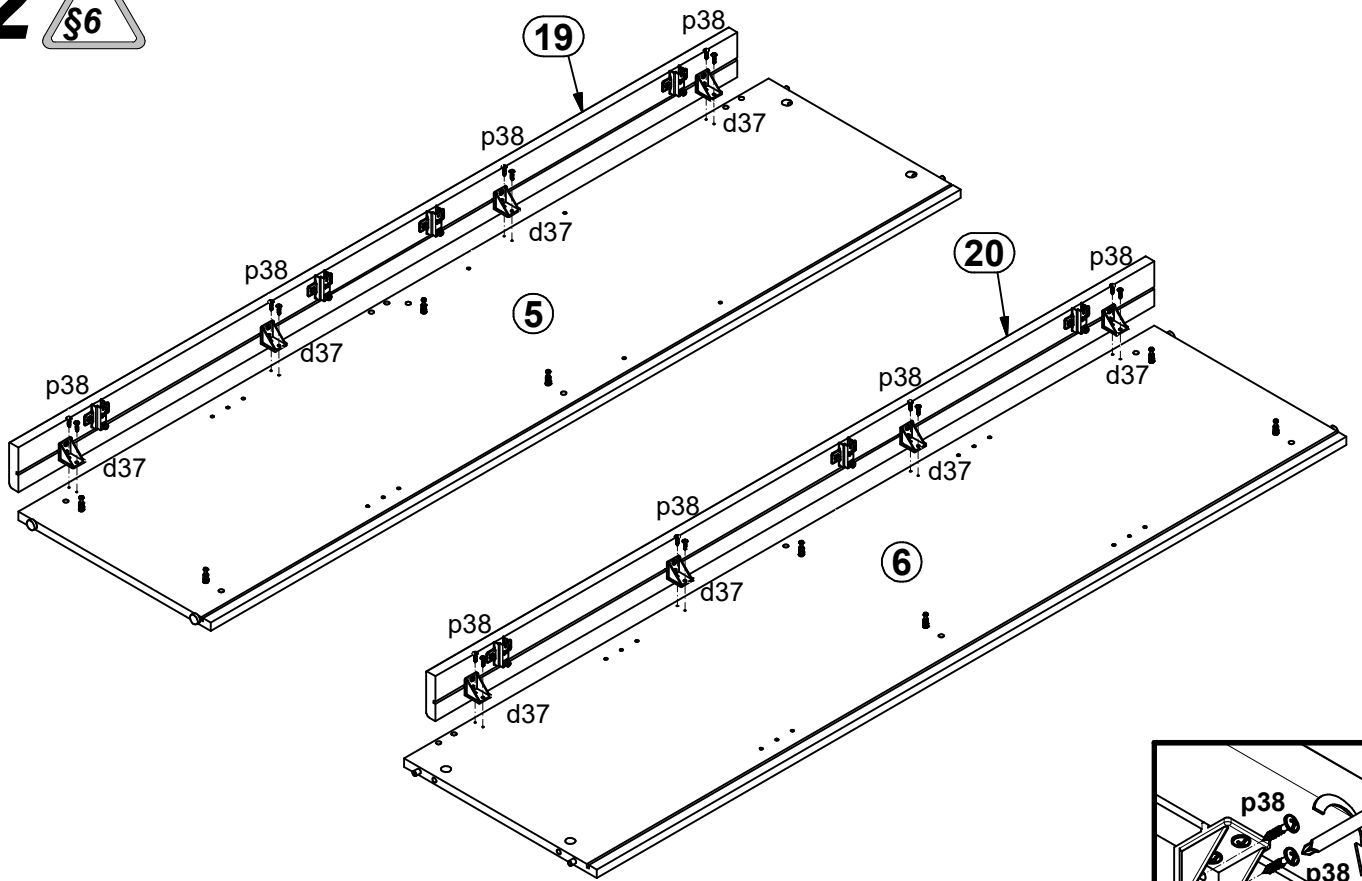


7x a132	3x a133	7x b43	16x Ø5x17 mm d1	4x Ø5x17 mm d3	3x d36	8x d37	3x Ø7x50 mm e1	14x Ø6,3x13 mm e2
8x Ø5x16 mm e47	27x Ø8x30 mm f1	5x k1	20x 1,4x20 mm l1	10x l2	7x 22x9,5x20,7 mm n108	8x Ø5,3/Ø6,3x4,8 mm o54	38x Ø3,5x16 mm p38	14x Ø3,5x15 mm p51
7x Ø2,9x16 mm p55	18x Ø15x12 mm #16 r1	18x 20/11 r42	6x Ø16 s2	1x 4 mm z1			1x n2611	1x Ø3,5x16 mm p38

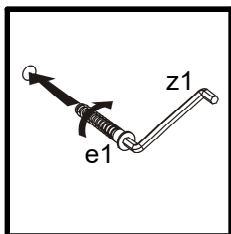
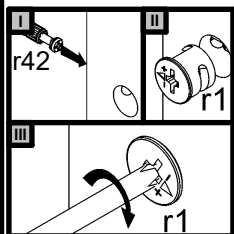
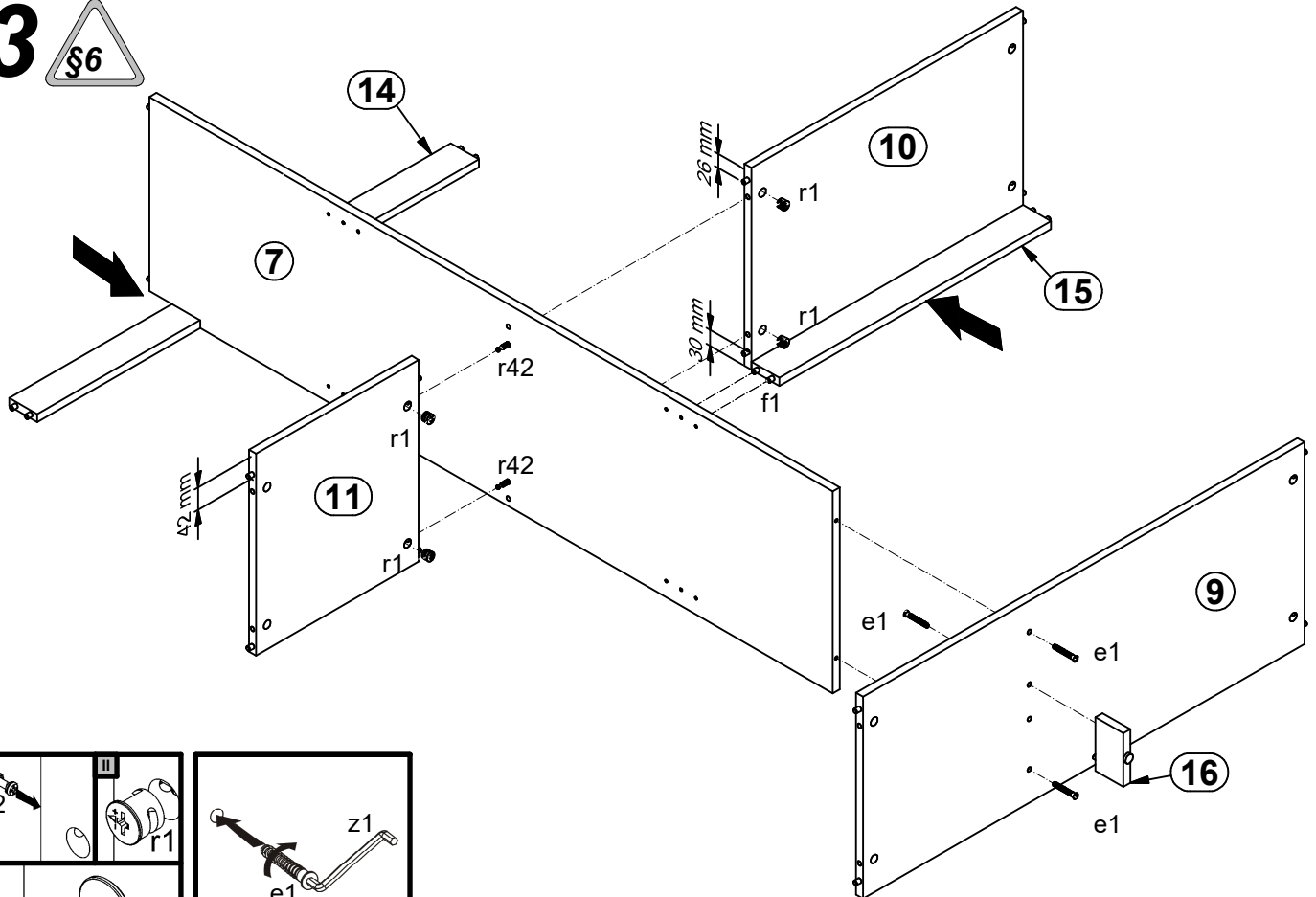
1 



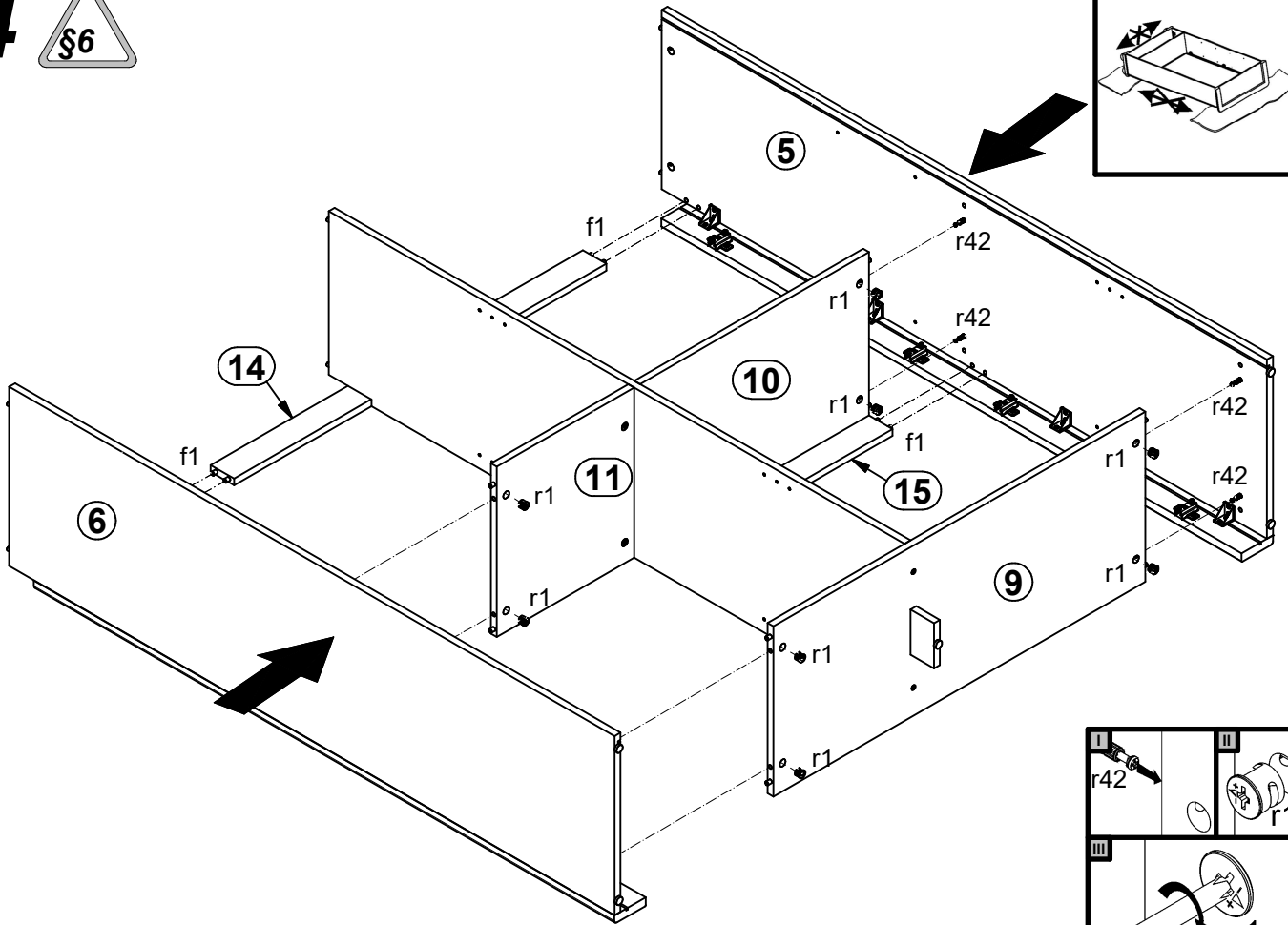
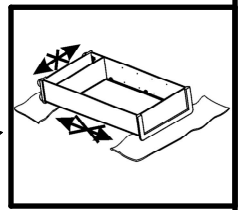
2 §6



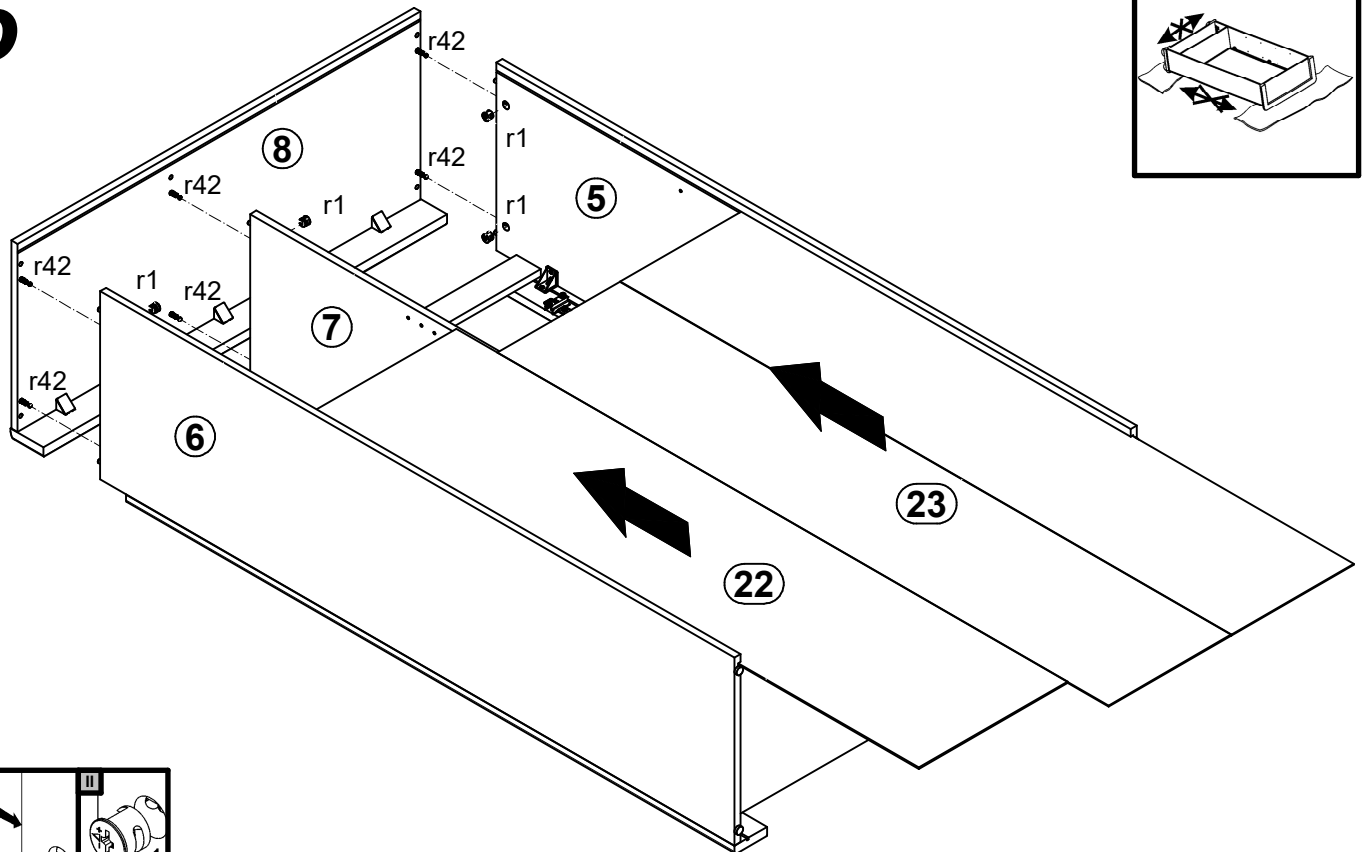
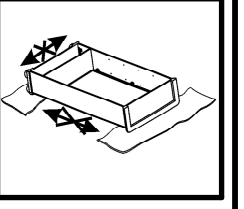
3 §6

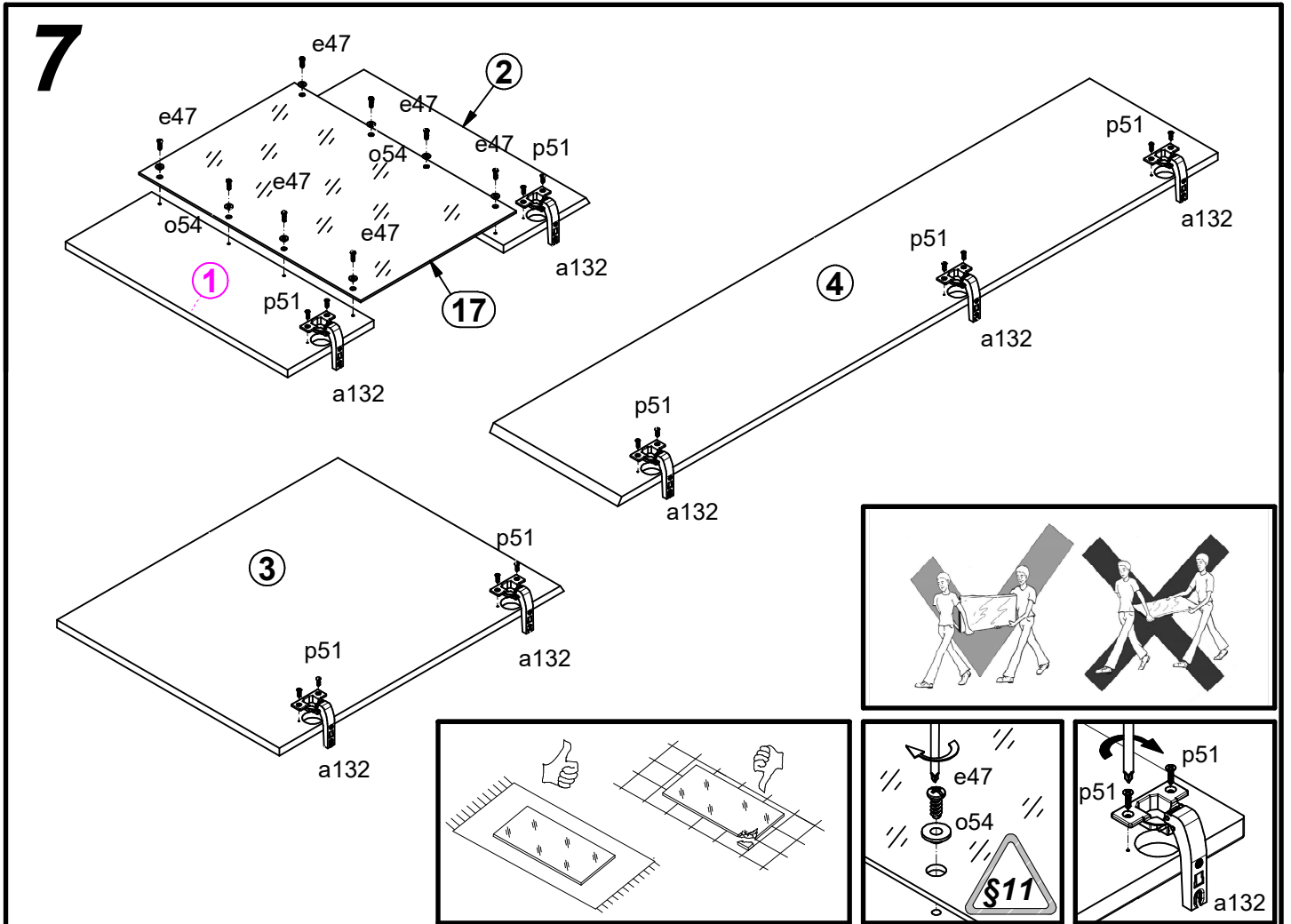
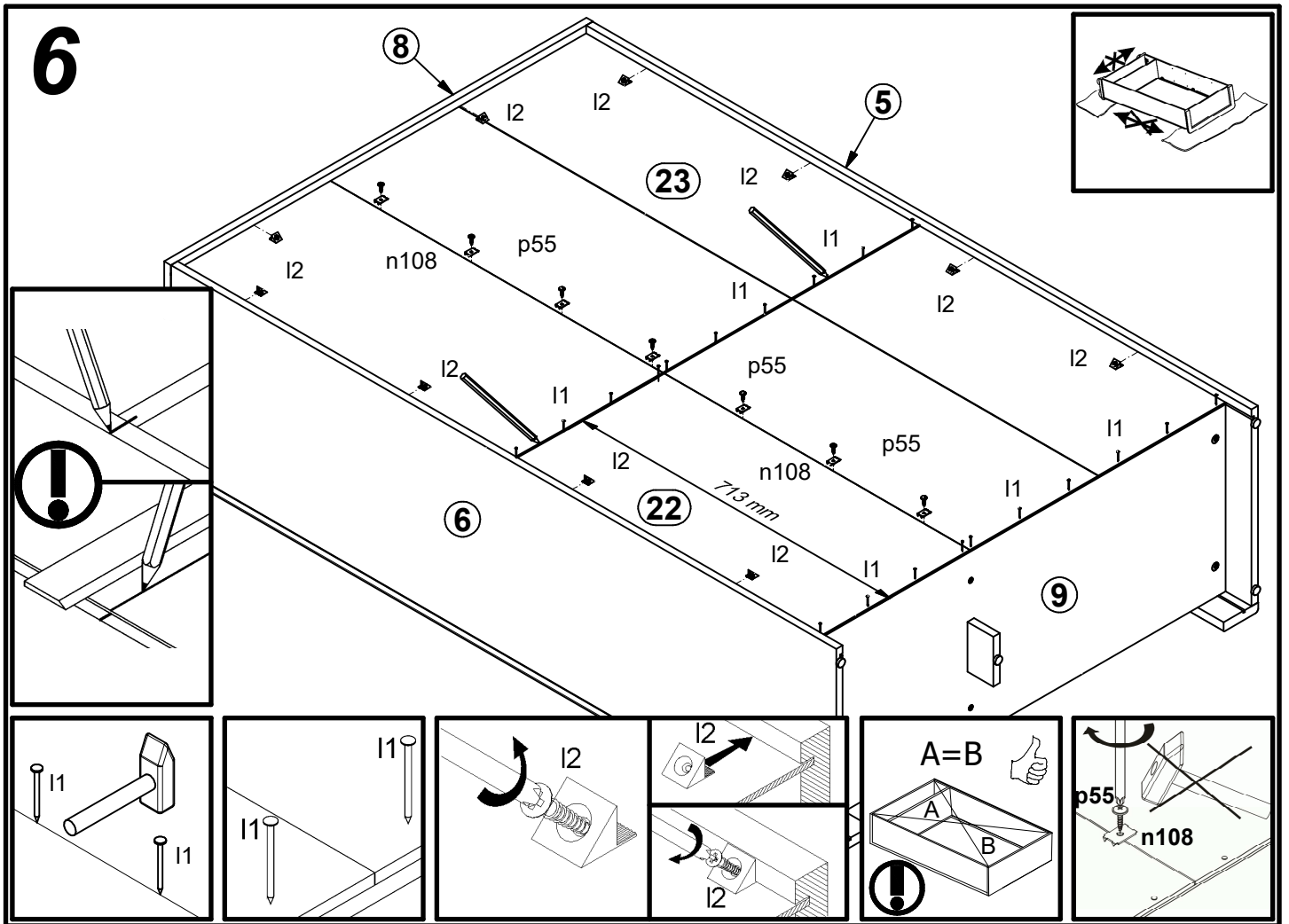


4

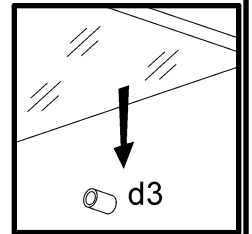
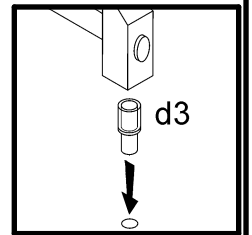
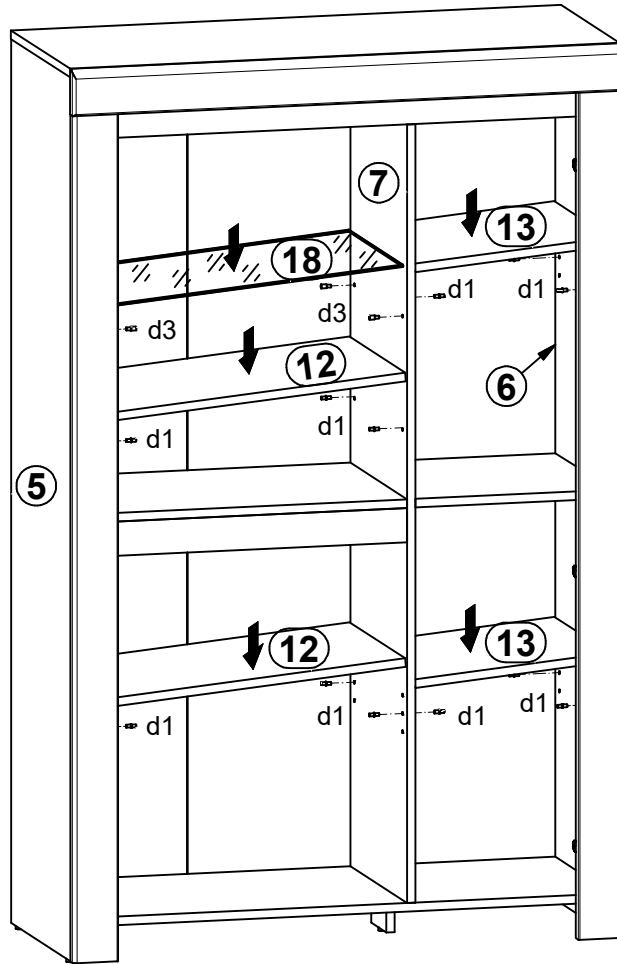
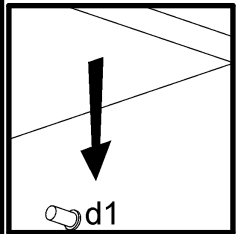
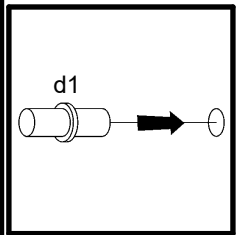
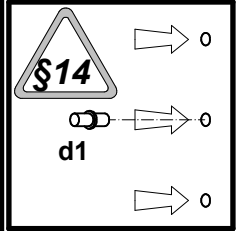


5





8



9

